



Workshop Manual

**Rolls-Royce Silver Shadow
(including Long Wheelbase Saloon)
Rolls-Royce Corniche
Bentley T Series
and Bentley Corniche**

Up to and including car serial number 30000

Wiring Diagrams

CONTENTS

		SECTION
Theoretical	R.H.D. cars prior to Serial Number 5000	1
Practical	R.H.D. cars prior to Serial Number 5000	2
Theoretical	R.H.D. cars from Serial Number 5000 to 6000	3
Theoretical	L.H.D. cars from Serial Number 6000 to 9000	4
Practical	L.H.D. cars from Serial Number 6000 to 9000	5
Theoretical	L.H.D. Long Wheelbase cars with Division from Serial Number LRX 6598	6
Practical	L.H.D. Long Wheelbase cars with Division from Serial Number LRX 6598	6
Practical	L.H.D. cars prior to Serial Number 6000	7
Practical	R.H.D. Long Wheelbase cars with Division from Serial Number LRX 6598	8

CONTENTS cont.

R 539

SECTION

Printed in England

September 1972

T.S.D. 2476

Practical	R.H.D. cars from Serial Number 9000	9
Practical	L.H.D. cars from Serial Number 9000	10
Practical	L.H.D. Long Wheelbase cars with Division from Serial Number 9000	11
Practical	R.H.D. and L.H.D. cars Radio Receivers and Stereo Tape Equipment from Serial Number 9000	12
Practical	L.H.D. cars from Serial Number 11882	13
Theoretical	All cars built to 1972 Electrical Specification	14
Theoretical	All cars built to 1973 Electrical Specification	15
Theoretical and practical	Rolls-Royce Silver Shadow and Bentley 'T' series saloons built to August 1975 Electrical Specification	16
Theoretical	Rolls-Royce & Bentley Corniche with Automatic Air Conditioning	17

KEY TO DIAGRAMS

It should be noted that the colours indicated in the table are often combined in pairs e.g. 14GY-C. The number '14' represents the cable size, the cable comprising of 14 strands of wire, each strand being 0.010 in. diameter. The 'GY' indicates that the cable is two colour, Green and Yellow and the 'C' indicates that the cable is cotton covered.

CABLE COLOUR CODE

B = Black	S = Slate
G = Green	U = Blue
N = Brown	W = White
P = Purple	Y = Yellow
R = Red	

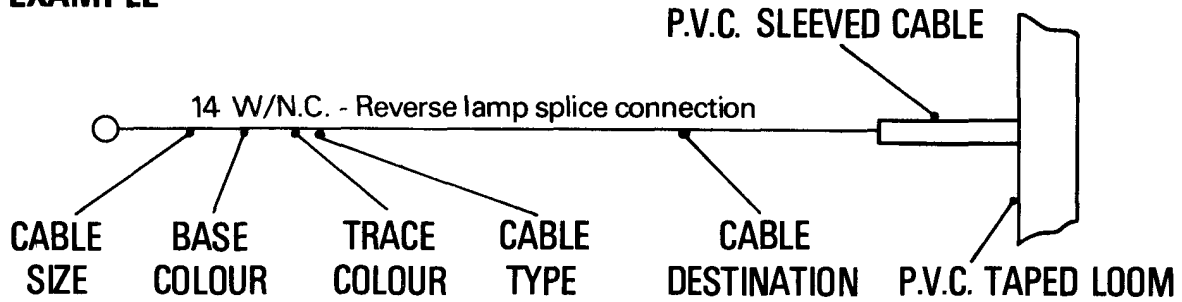
CABLE SIZES

14 = 14/.010in.
28 = 28/.012in.
44 = 44/.012in.
65 = 65/.012in.
120 = 120/.012in.

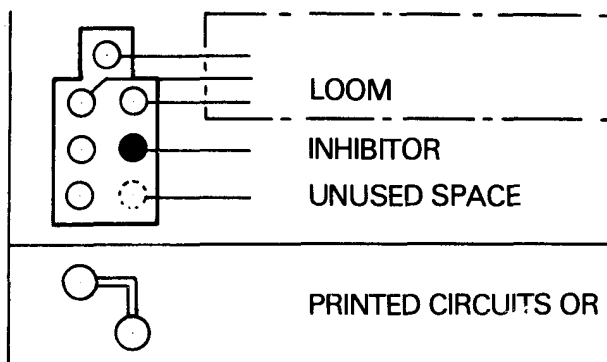
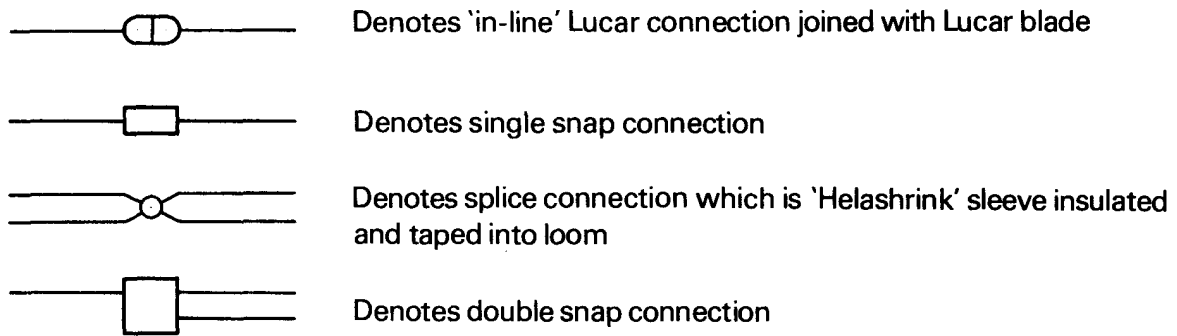
CABLE TYPE

'C' denotes cotton covered cable
'P' denotes plastic covered cable

EXAMPLE



CONNECTION DETAILS



Section 1

RIGHT-HAND DRIVE CARS PRIOR TO SERIAL NUMBER 5000

APPLICATION

SHEET No

Theoretical

1

Theoretical

2

THEORETICAL WIRING DIAGRAM

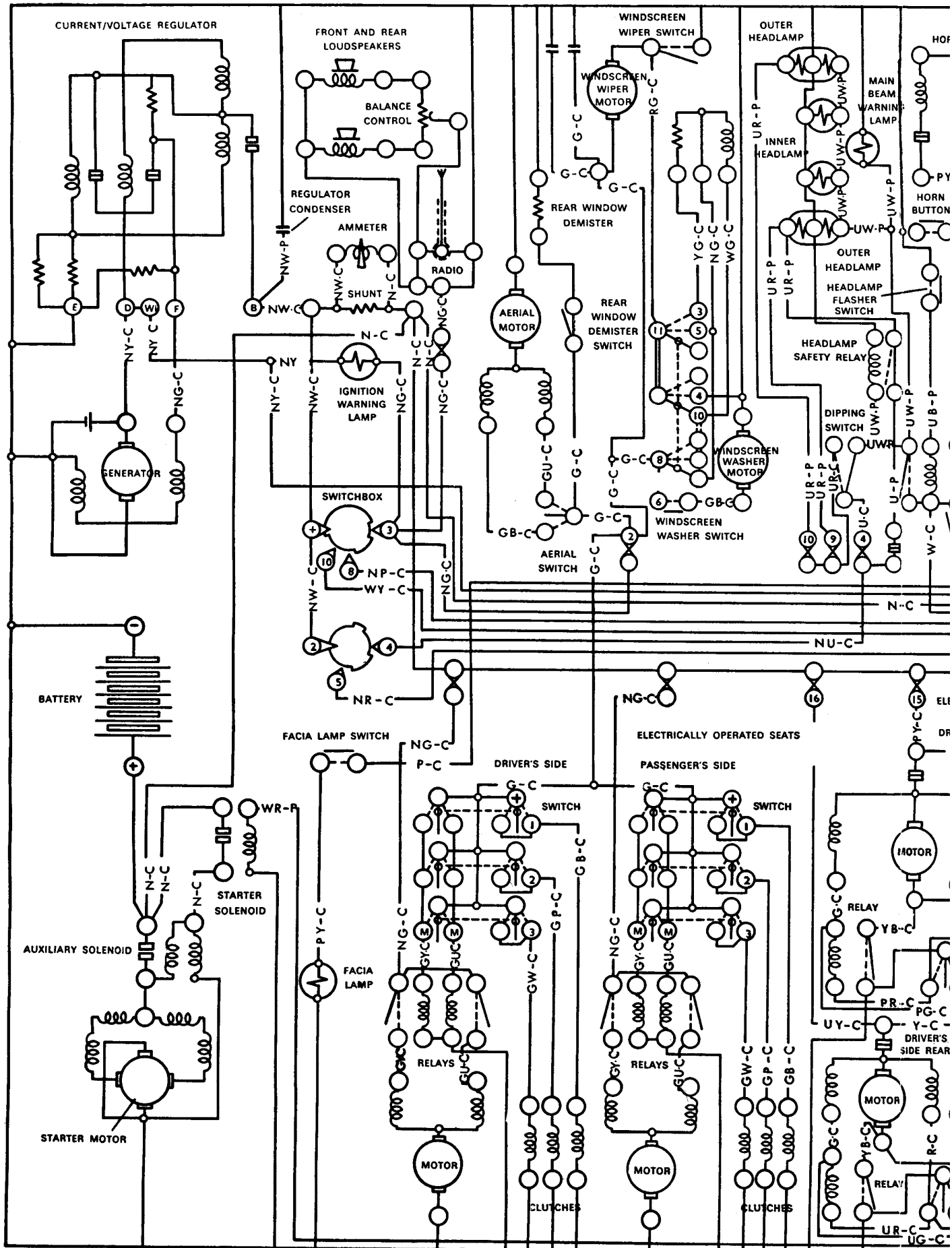
SHEET 1

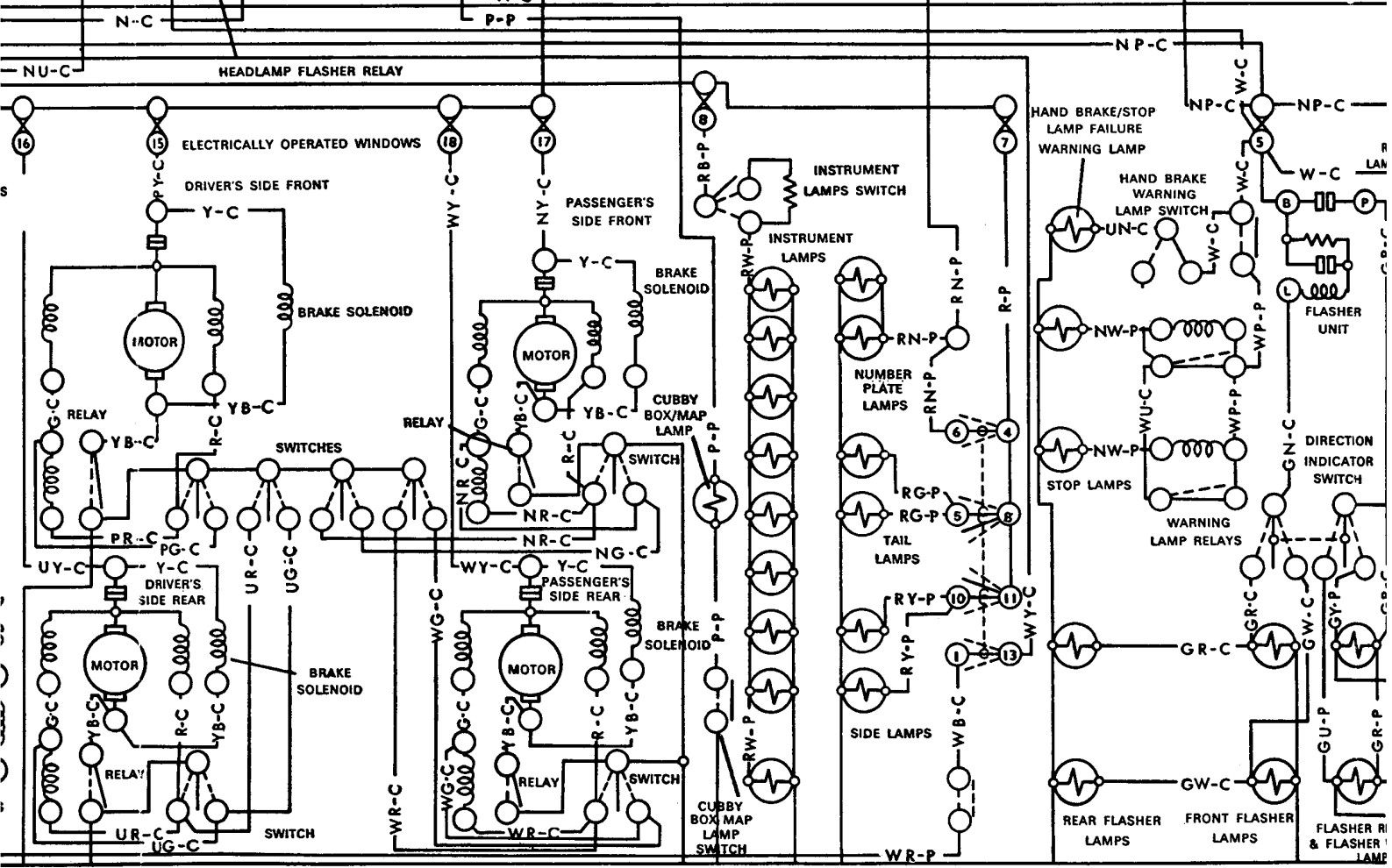
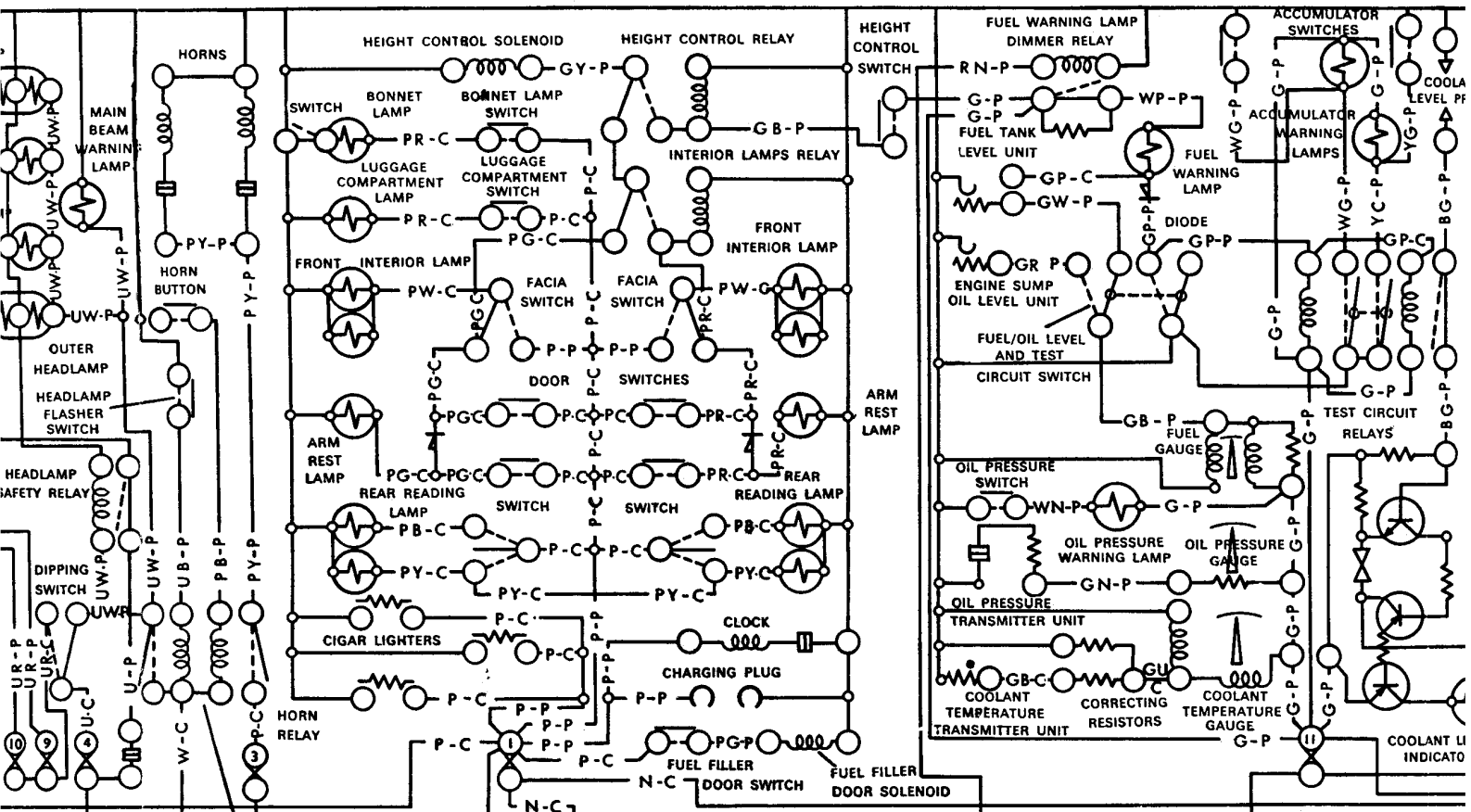
ROLLS-ROYCE SILVER SHADOW AND BENTLEY T SERIES 4-DOOR SALOONS

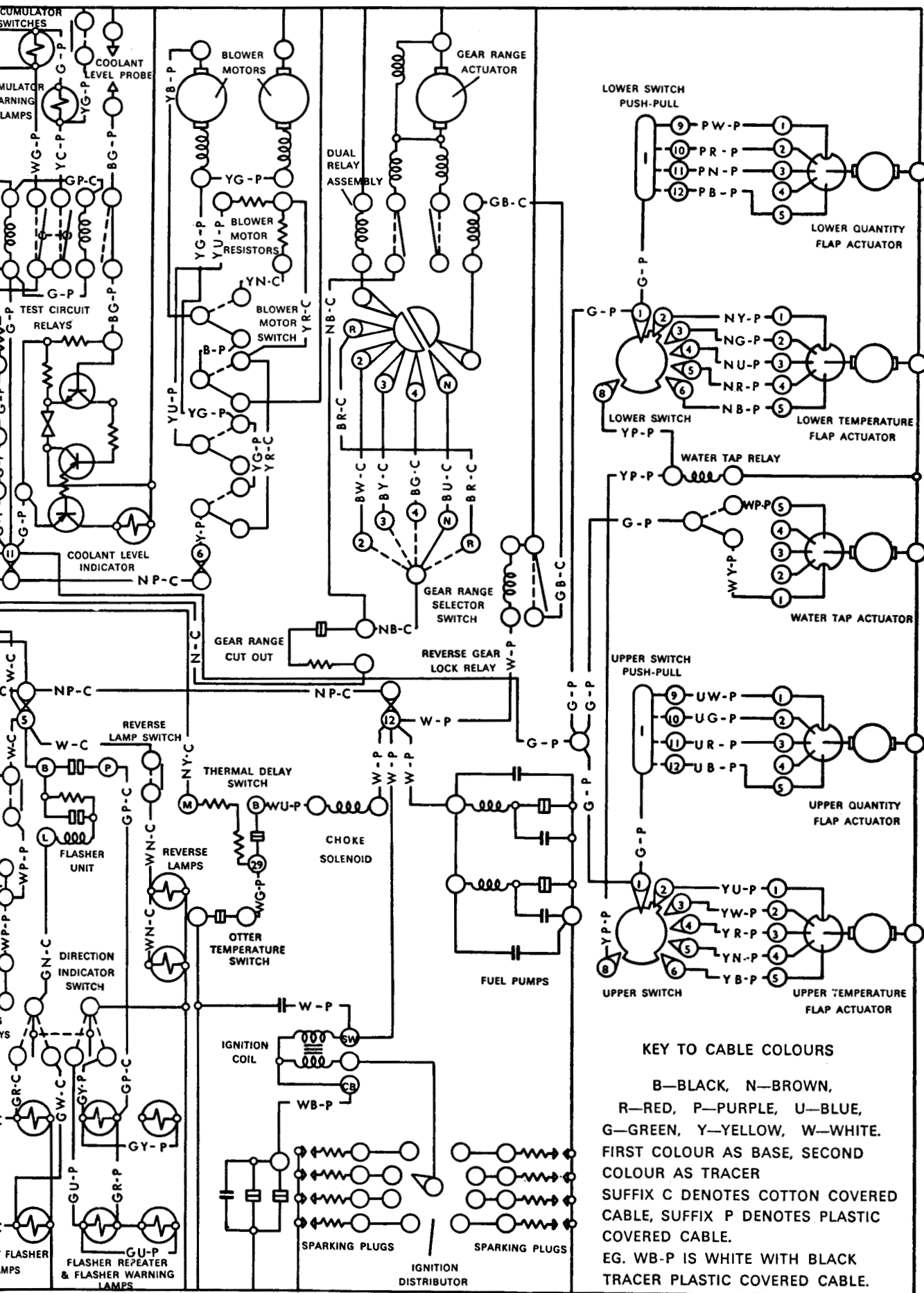
TSD Publication 2218

© Rolls-Royce Limited (1966)

Rolls-Royce policy is one of continuous engineering improvement and the right is reserved to revise the contents of this publication without prior notice.







KEY TO CABLE COLOURS

B—BLACK, N—BROWN,
 R—RED, P—PURPLE, U—BLUE,
 G—GREEN, Y—YELLOW, W—WHITE.
 FIRST COLOUR AS BASE, SECOND
 COLOUR AS TRACER
 SUFFIX C DENOTES COTTON COVERED
 CABLE, SUFFIX P DENOTES PLASTIC
 COVERED CABLE.
 EG. WB-P IS WHITE WITH BLACK
 TRACER PLASTIC COVERED CABLE.

THEORETICAL WIRING DIAGRAM

SHEET 2

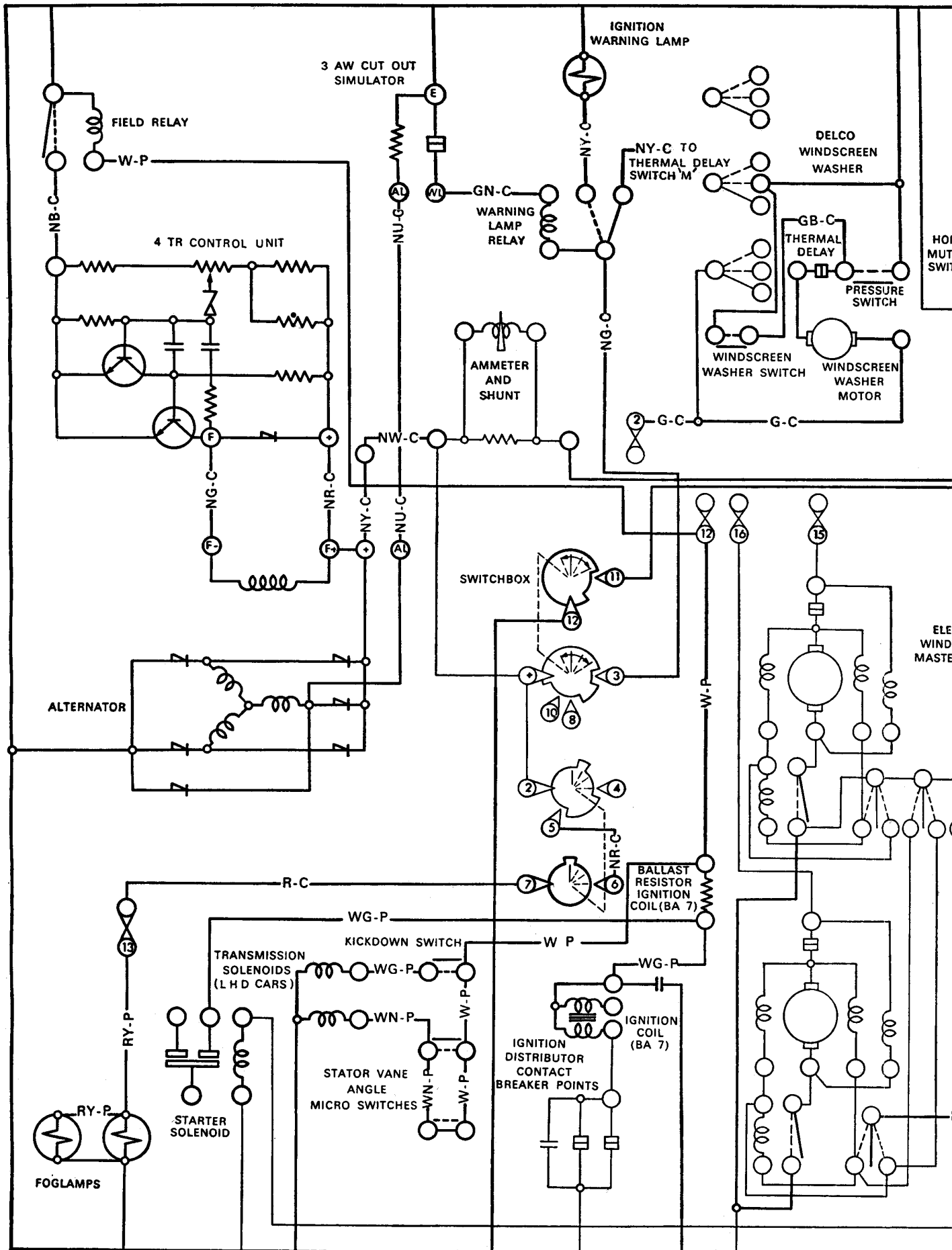
**ADDITIONAL AND ALTERNATIVE CIRCUITS
TO SHEET 1**

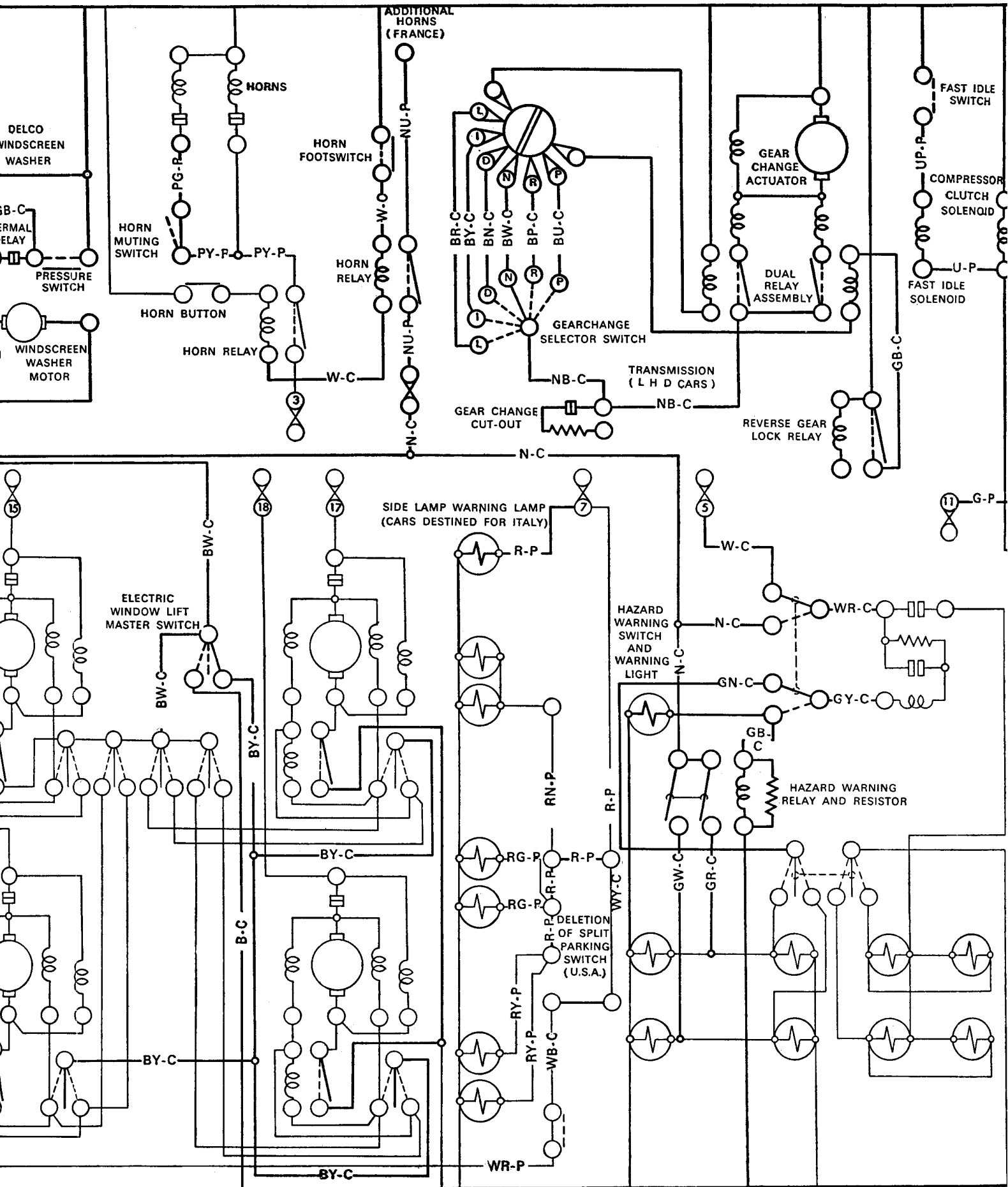
**ROLLS-ROYCE SILVER SHADOW
AND
BENTLEY T SERIES
4-DOOR SALOONS**

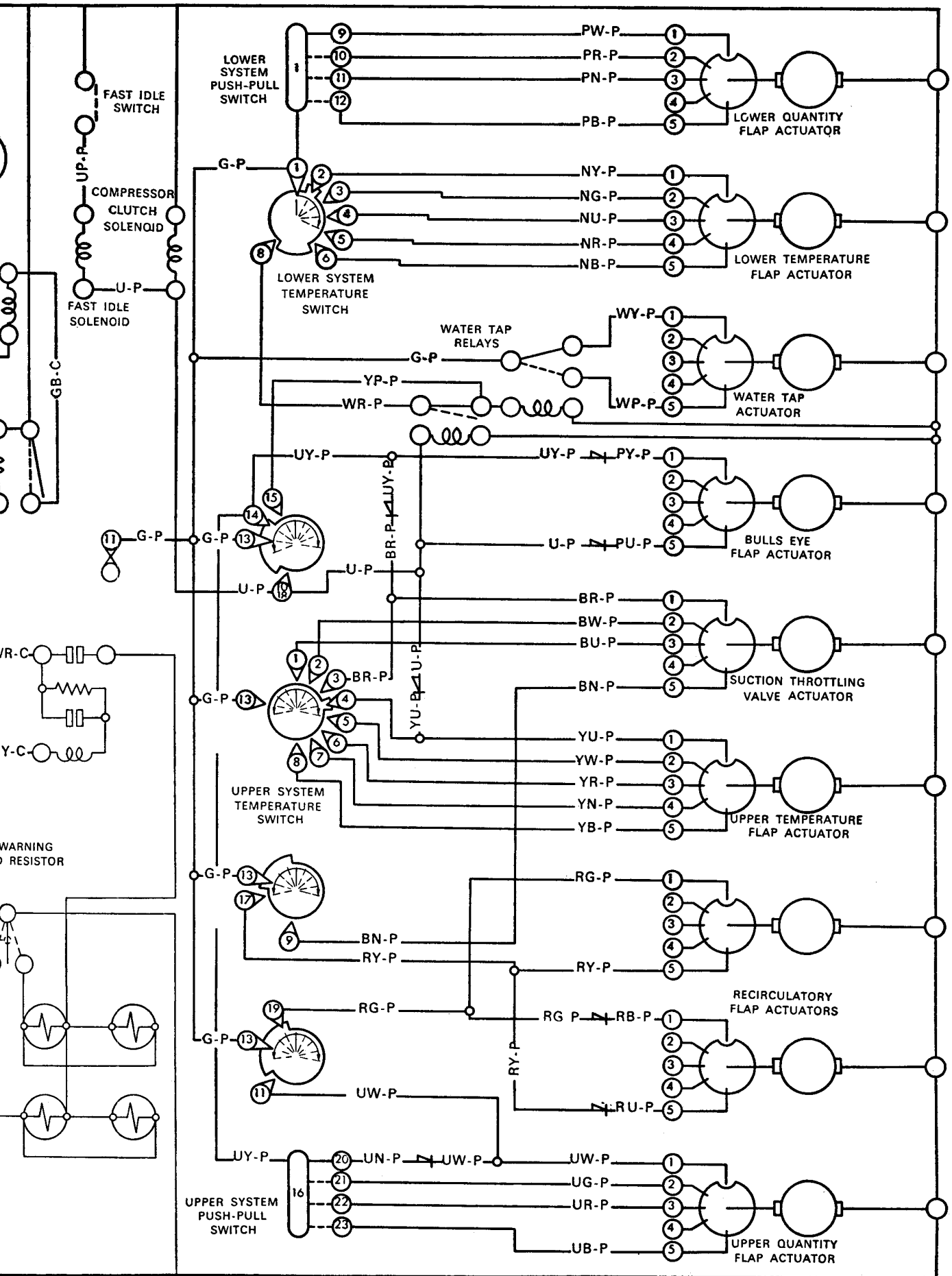
TSD Publication 2218

© Rolls-Royce Limited (1967)

**Rolls-Royce policy is one of continuous engineering
improvement and the right is reserved to revise the
contents of this publication without prior notice.**







Section 2

RIGHT-HAND DRIVE CARS PRIOR TO SERIAL NUMBER 5000

APPLICATION	SHEET No
Charging, Starter and Distribution	1
Engine and Instruments	2
Lighting	3
Direction Indicators and Handbrake Warning Lamp	4
Electrically Operated Windows	5
Electrically Operated Seats	6
Gear Range Selector	7
Air Conditioning Unit (A.C.U.)	8
Radio Receiver and Speakers	9
Interior Lighting	10

SHEET 1

CHARGING, STARTER AND DISTRIBUTION

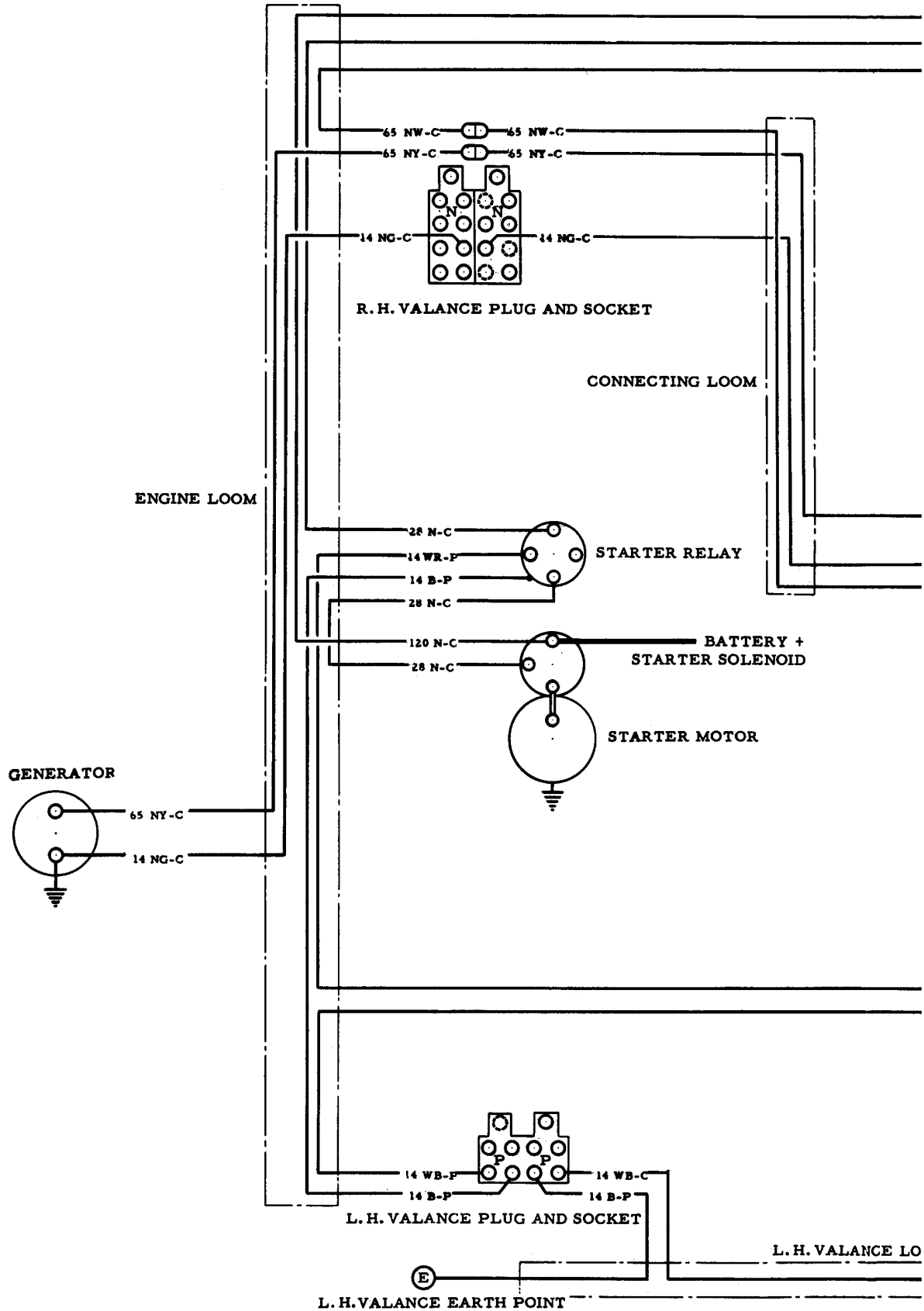
R.H. DRIVE CARS

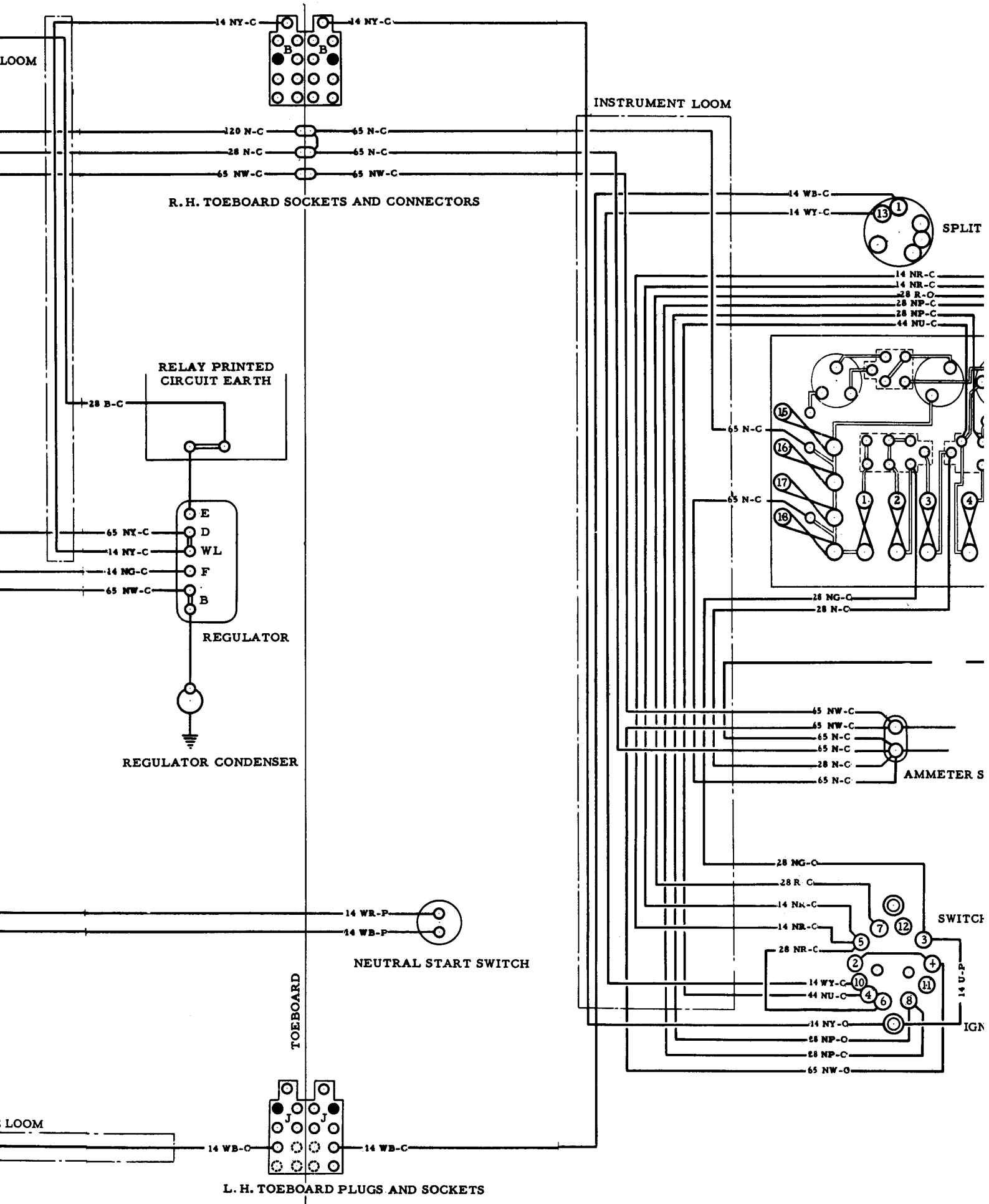
FIRST EDITION

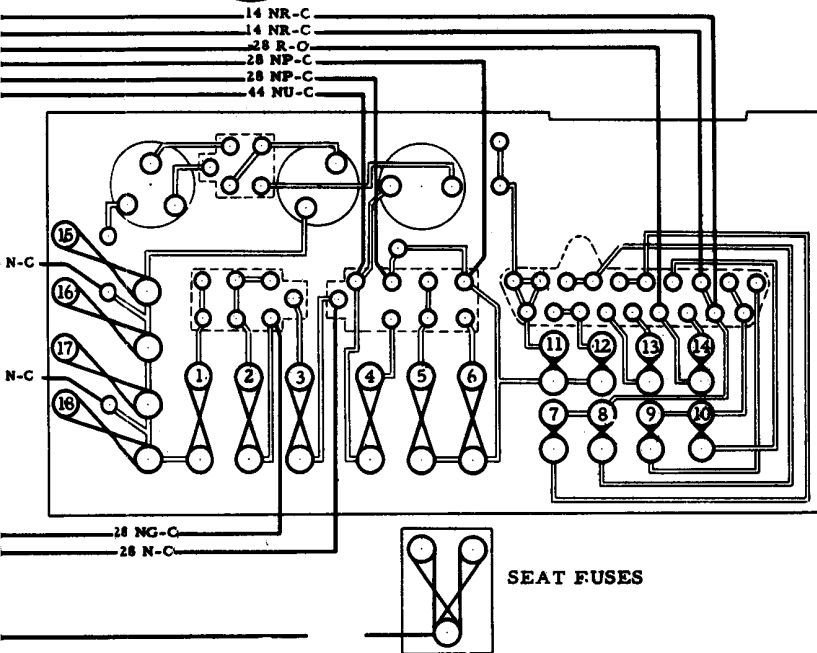
T.S.D. Publication 2432

© *Rolls-Royce Limited, 1967*

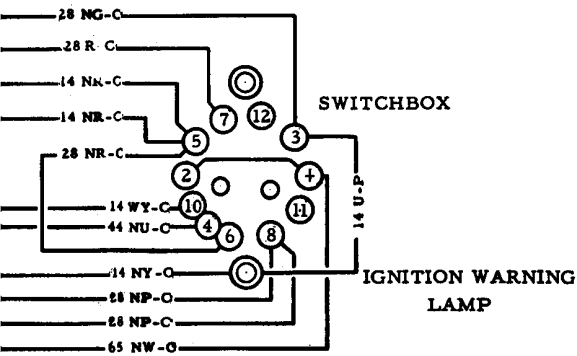
(E) — 28 B-C — R. H. VALANCE EARTH POINT R. H. VALANCE LOOM







FUSEBOARD VIEWED ON UNDERSIDE



SWITCHBOX FUNCTIONS

- (+) (2) FEED
- (3) 'ON' WITH IGNITION AND 'PICNIC'
- (4) HEADLAMPS
- (5) SIDELAMPS
- (6) FEED FOR FOGLAMPS
- (7) FOGLAMPS
- (8) IGNITION
- (10) STARTER
- (11) (12) 'IGNITION' CONTROL-ELECTRIC WINDOW LIFT

SHEET 2

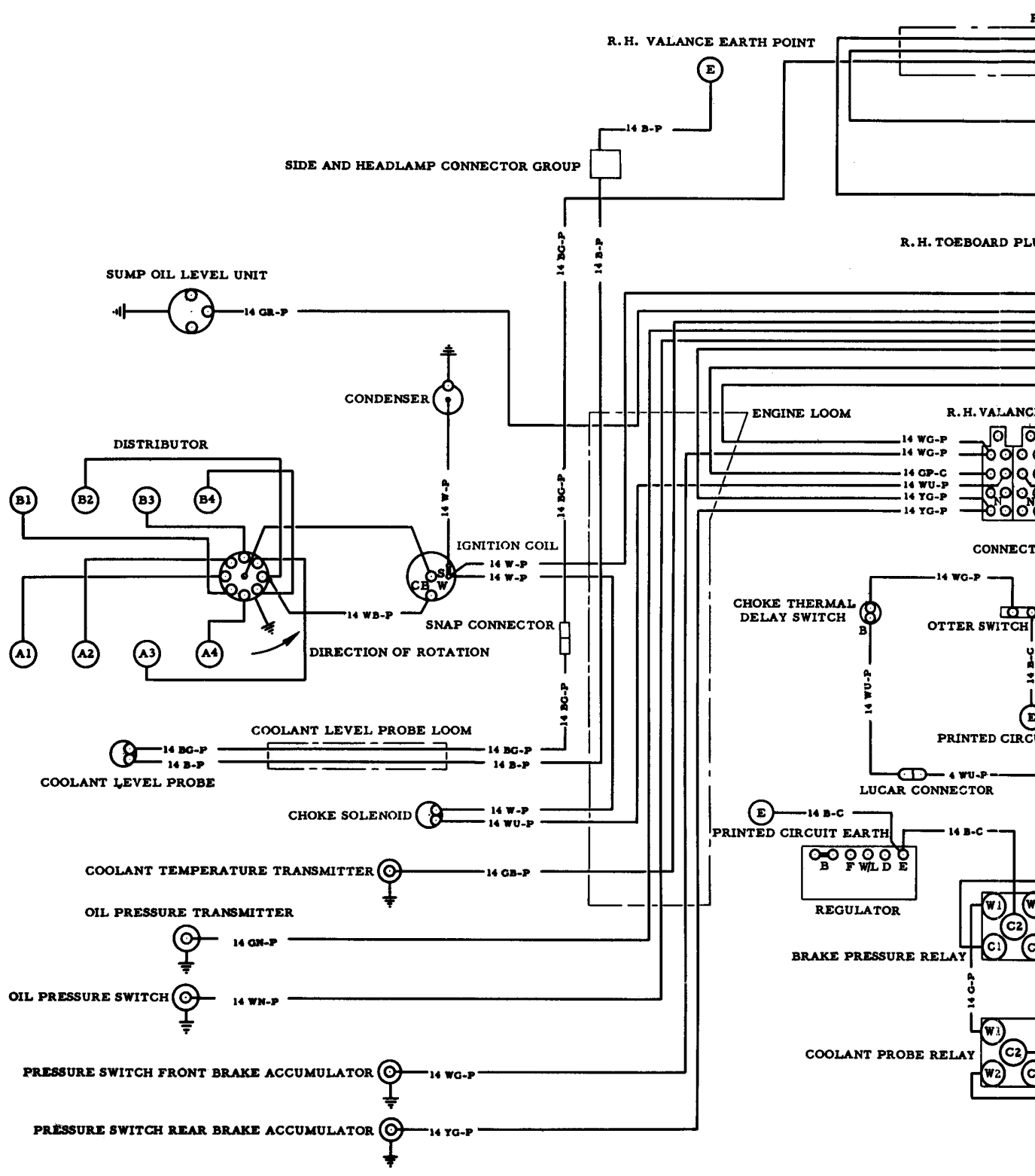
ENGINE AND INSTRUMENTS

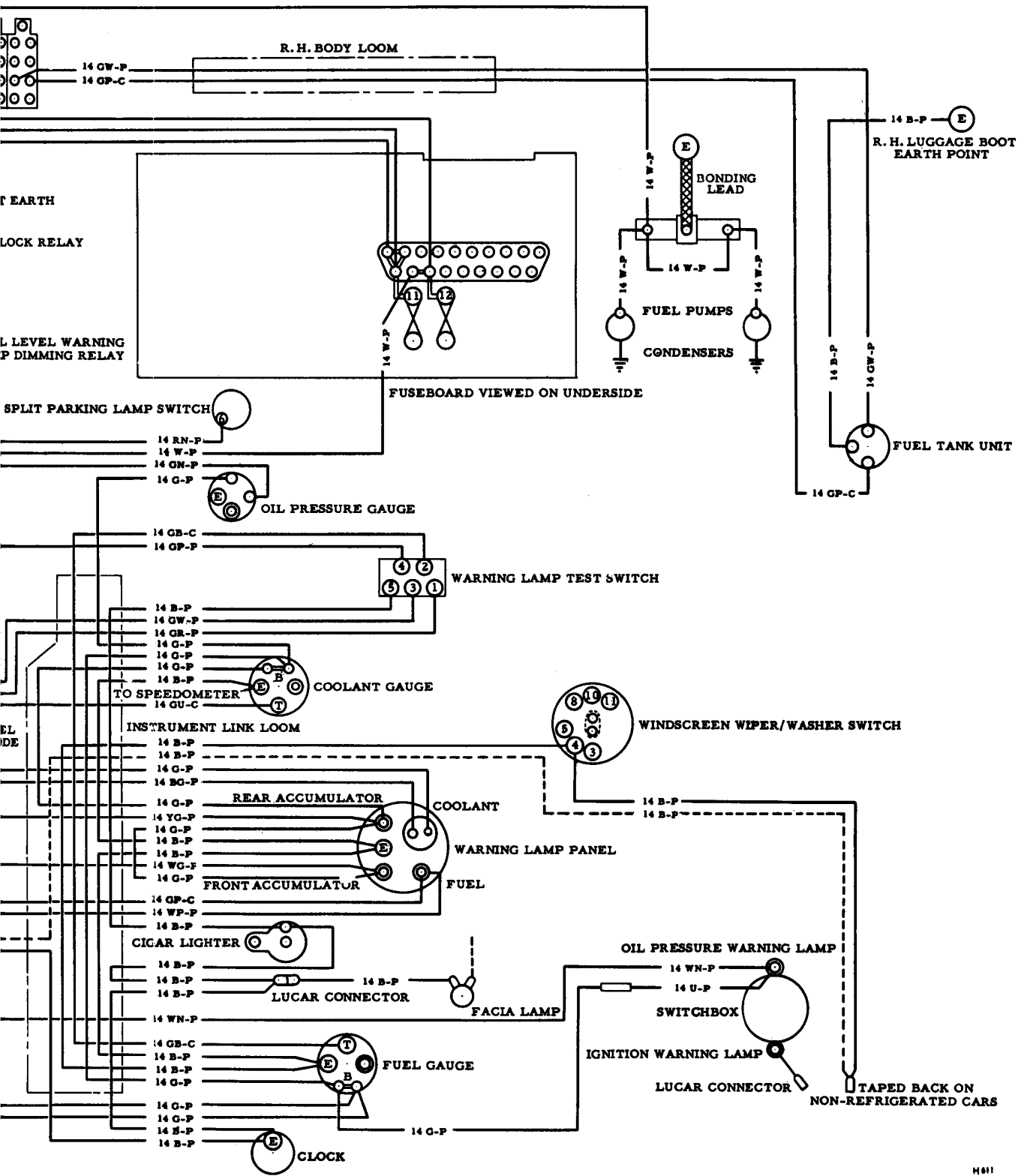
R.H. DRIVE CARS

FIRST EDITION

T.S.D. Publication 2432

© *Rolls-Royce Limited, 1967*





SHEET 3

LIGHTING

R.H. DRIVE CARS

FIRST EDITION

T.S.D. Publication 2432

© *Rolls-Royce Limited, 1967*

R. H. VALANCE EARTH POINT (E)

R. H. 'A' POST EARTH POINT (E)

R. H. VALANCE LOOM

R. H. TOEBOARD PLUGS /

SIDE/FLASHER LAMP



14 R-P

14 B-P



14 UR-P

14 B-P

14 UW-P

TWIN HEADLAMPS



14 UW-P

14 B-P



14 UW-P

14 B-P

TWIN HEADLAMPS



14 UW-P

14 B-P

14 UR-P

SIDE/FLASHER LAMP



14 R-P

14 B-P



14 UR-P

14 B-P

14 UW-P

SIDE/FLASHER AND HEADLAMP SNAP CONNECTOR GROUP

RELAY BOX VIEWED ON UNDERSIDE

SOCKET T

SOCKET U

SOCKET V

SIDE/FLASHER AND HEADLAMP SNAP CONNECTOR GROUP

L. H. VALANCE LOOM

L. H. TOEBOARD PLUGS AND SOCKETS

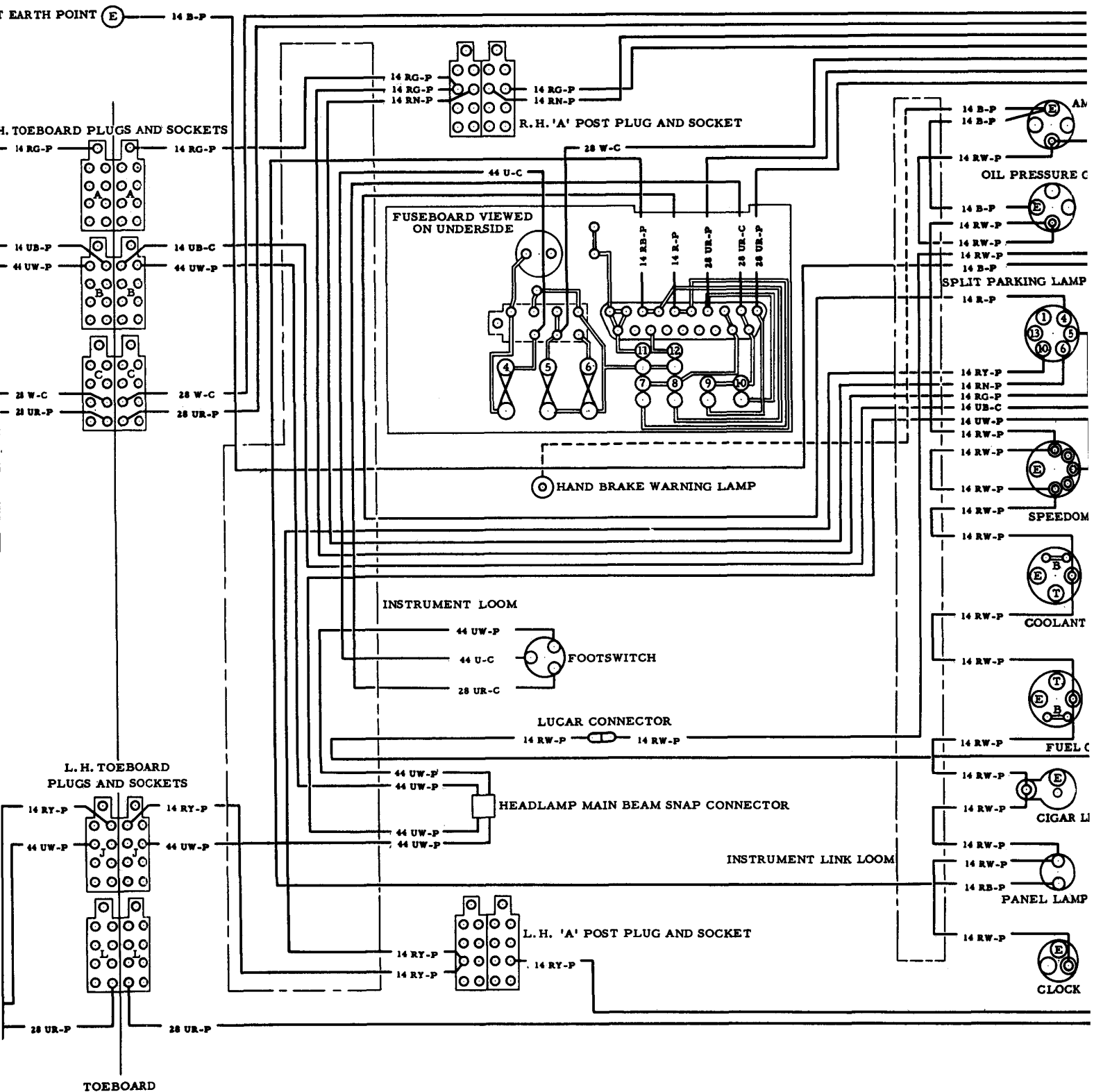
TOEBOARD

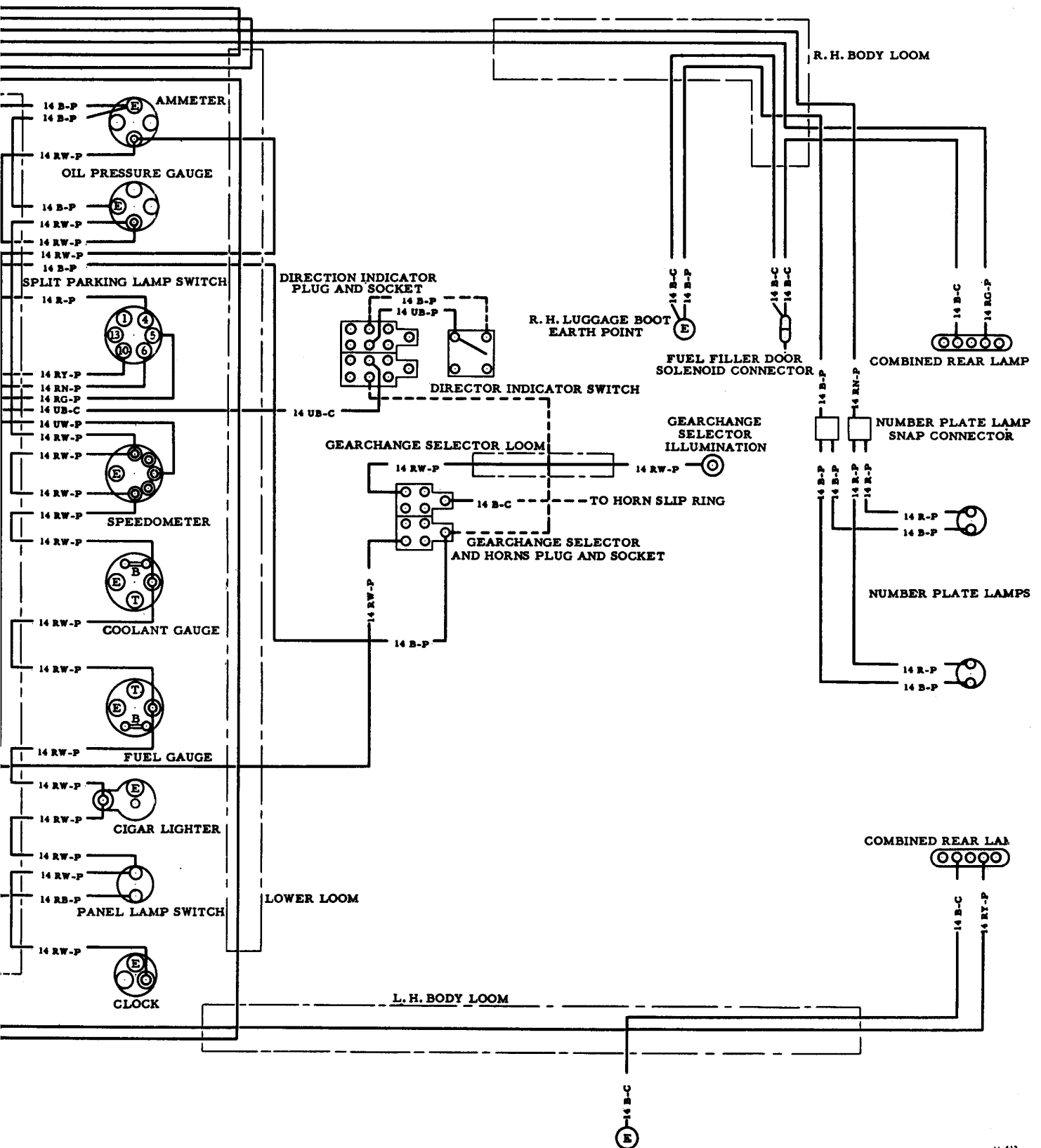
L. H. VALANCE EARTH POINT (E)

Printed in England

October 1967

T.S.D. 2432



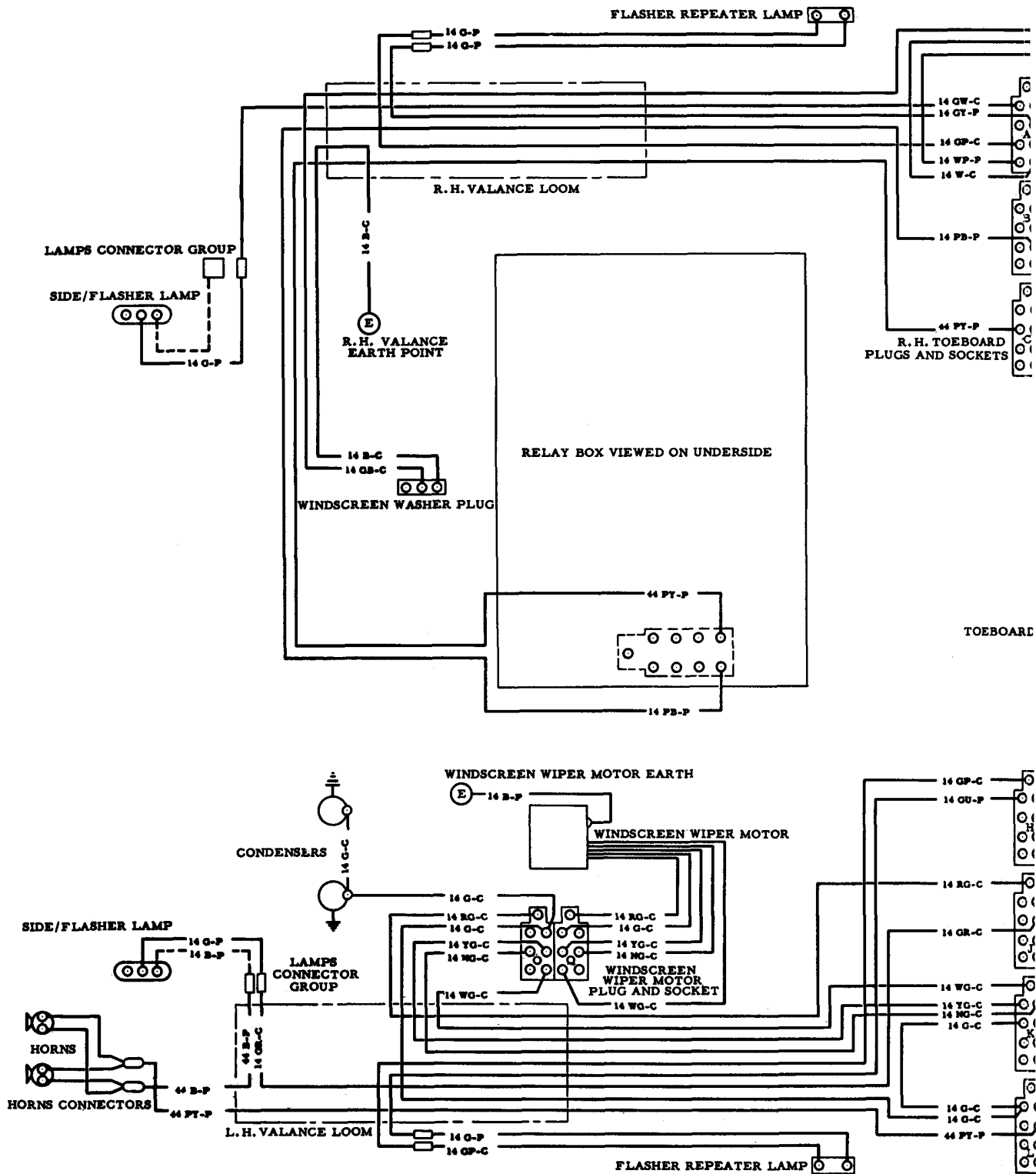


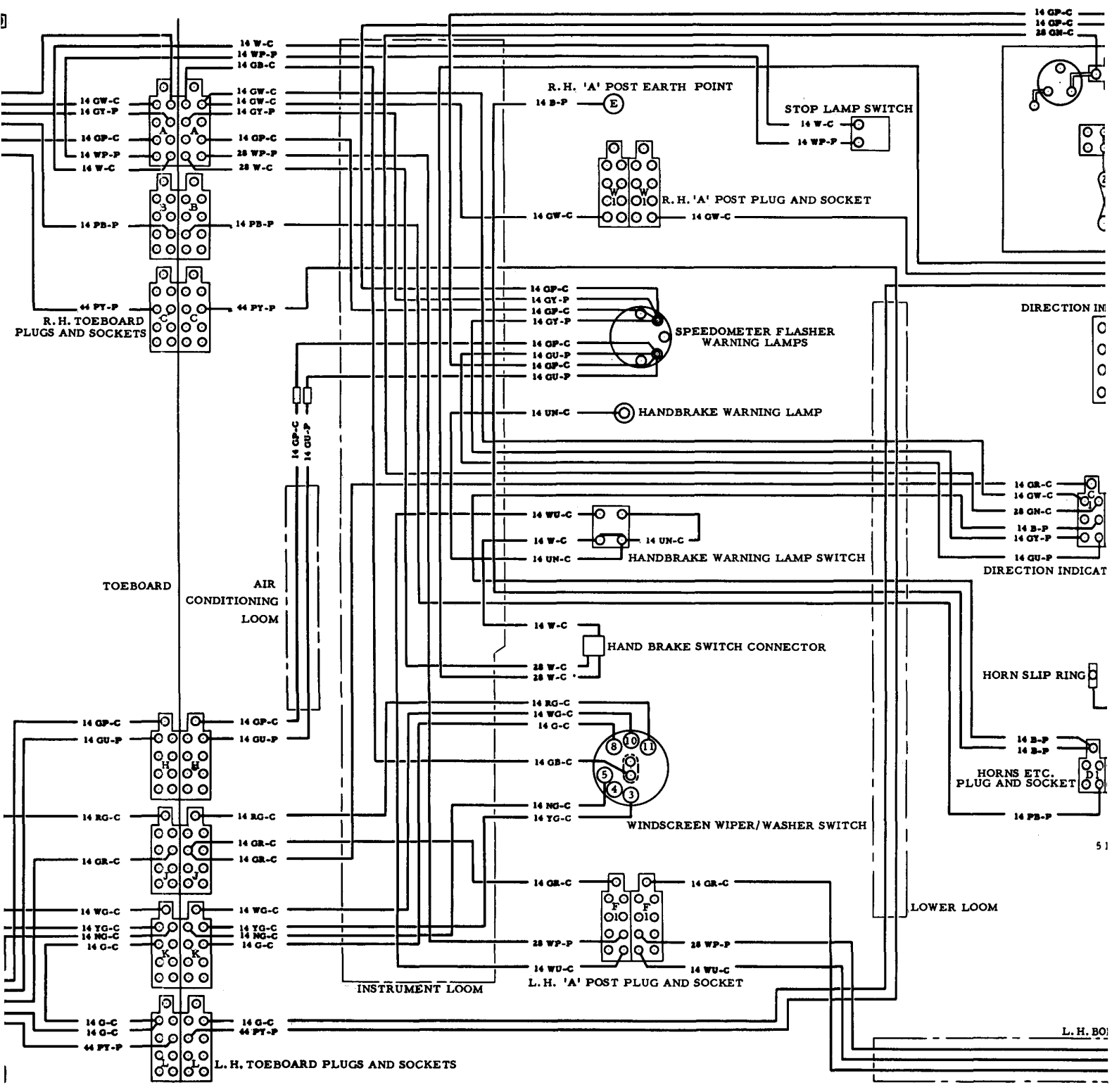
SHEET 4

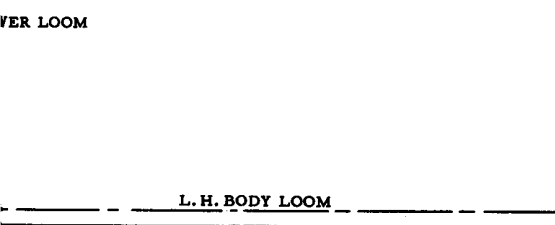
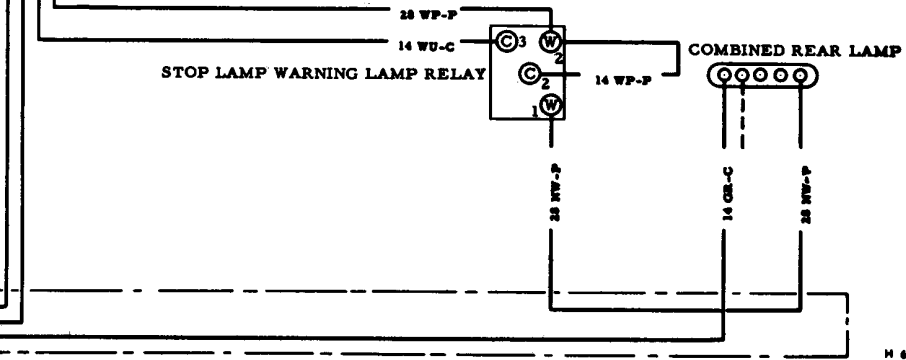
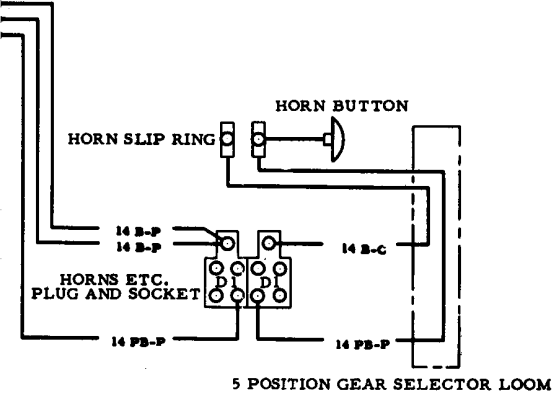
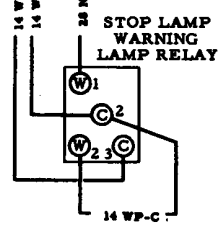
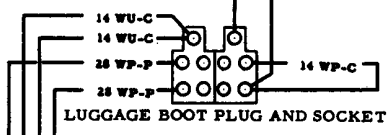
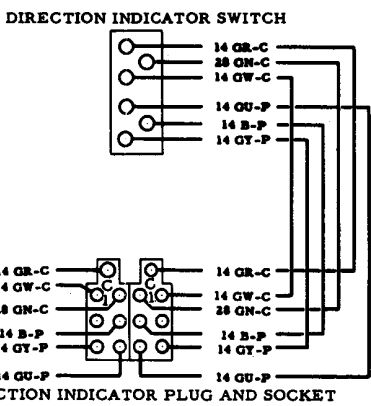
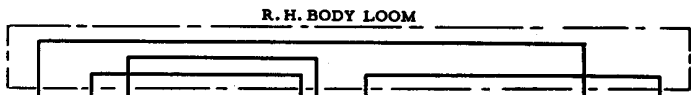
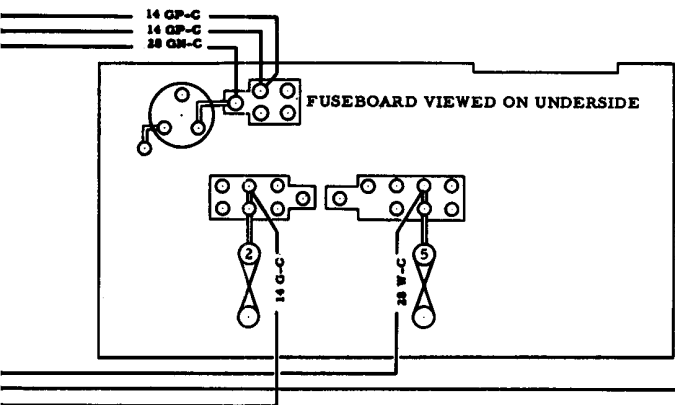
**FLASHERS, WIPERS AND
HAND BRAKE WARNING LAMP
R.H. DRIVE CARS
FIRST EDITION**

T.S.D. Publication 2432

© *Rolls-Royce Limited, 1967*







SHEET 5

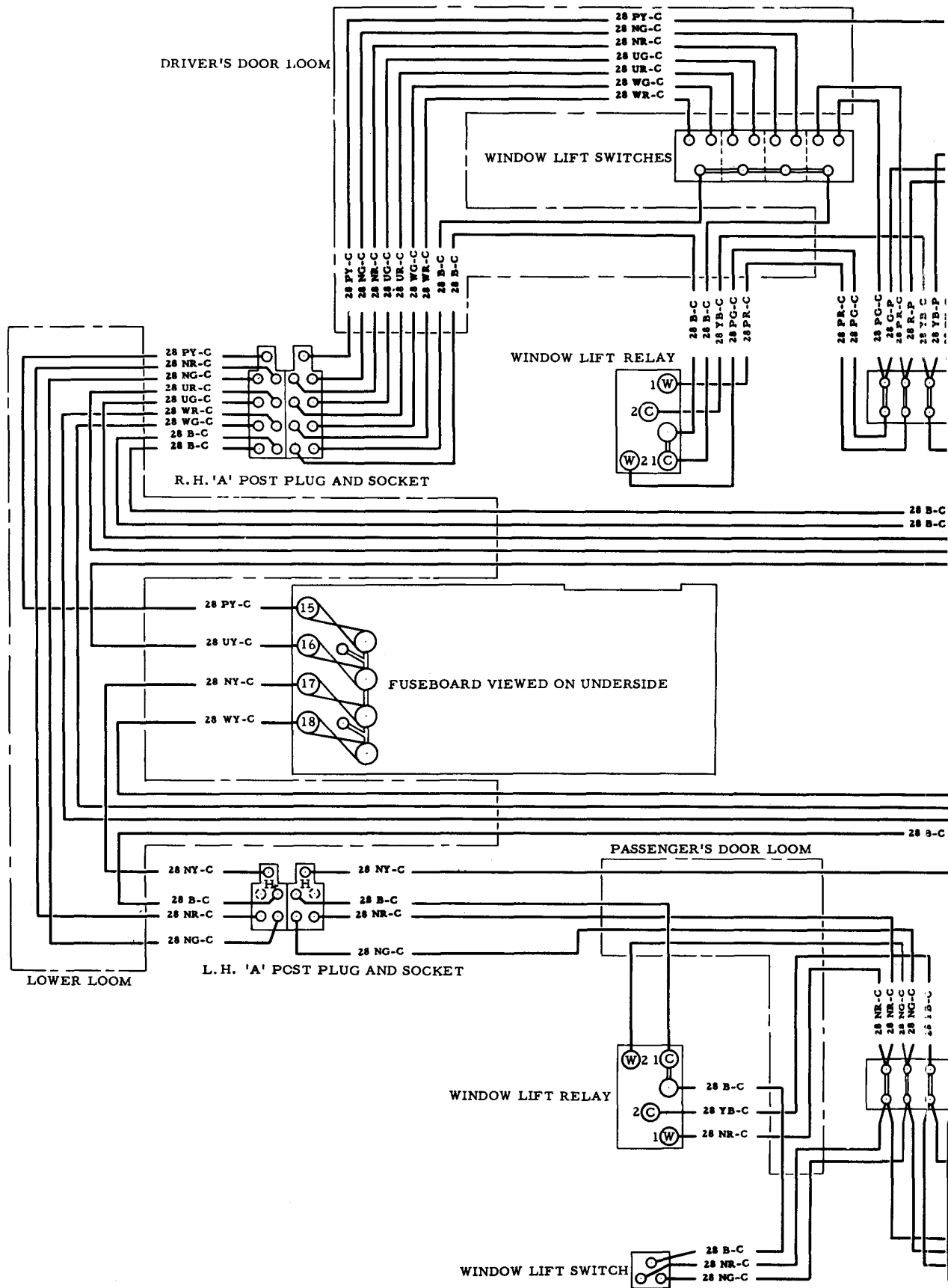
WINDOW LIFT

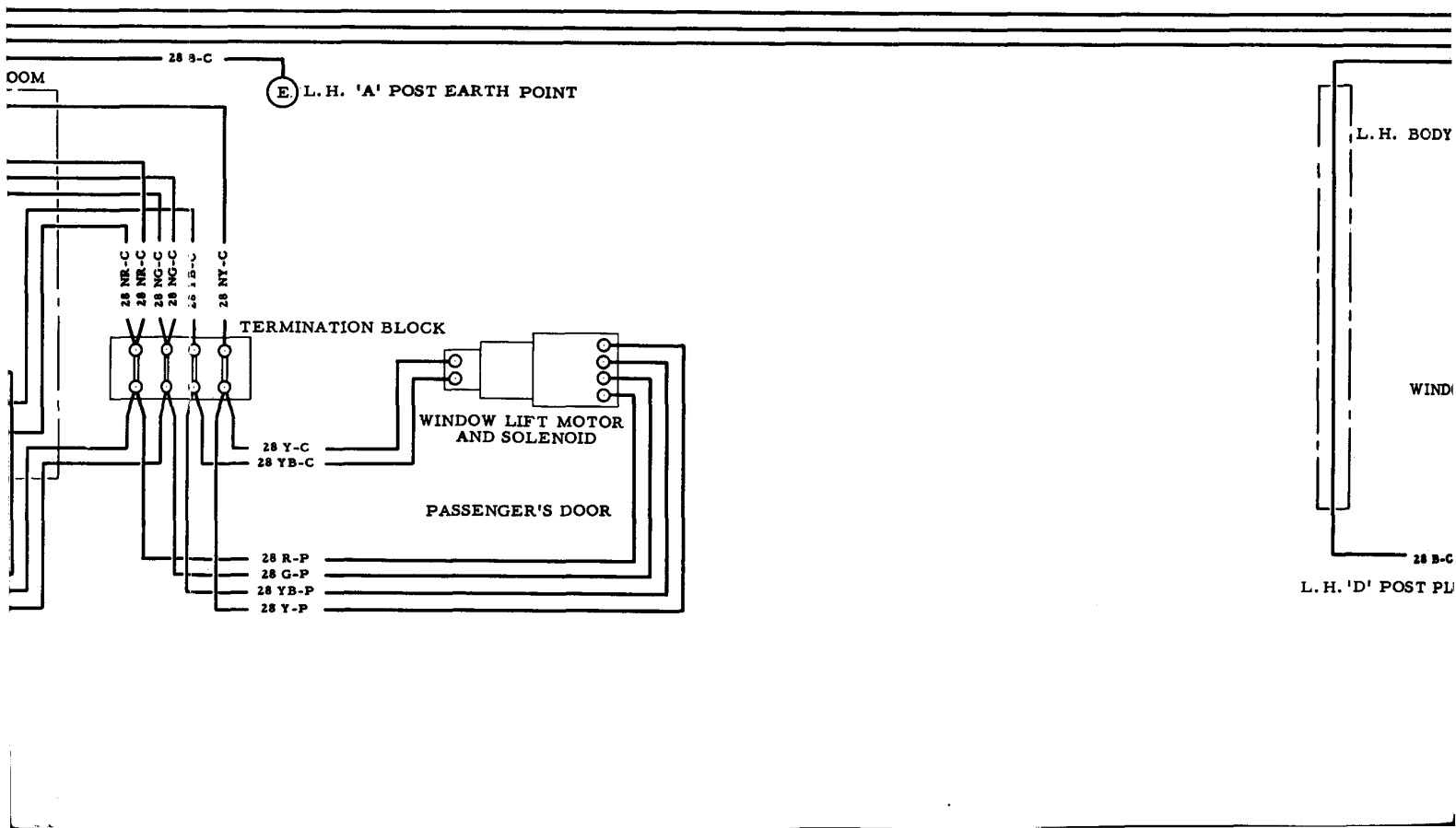
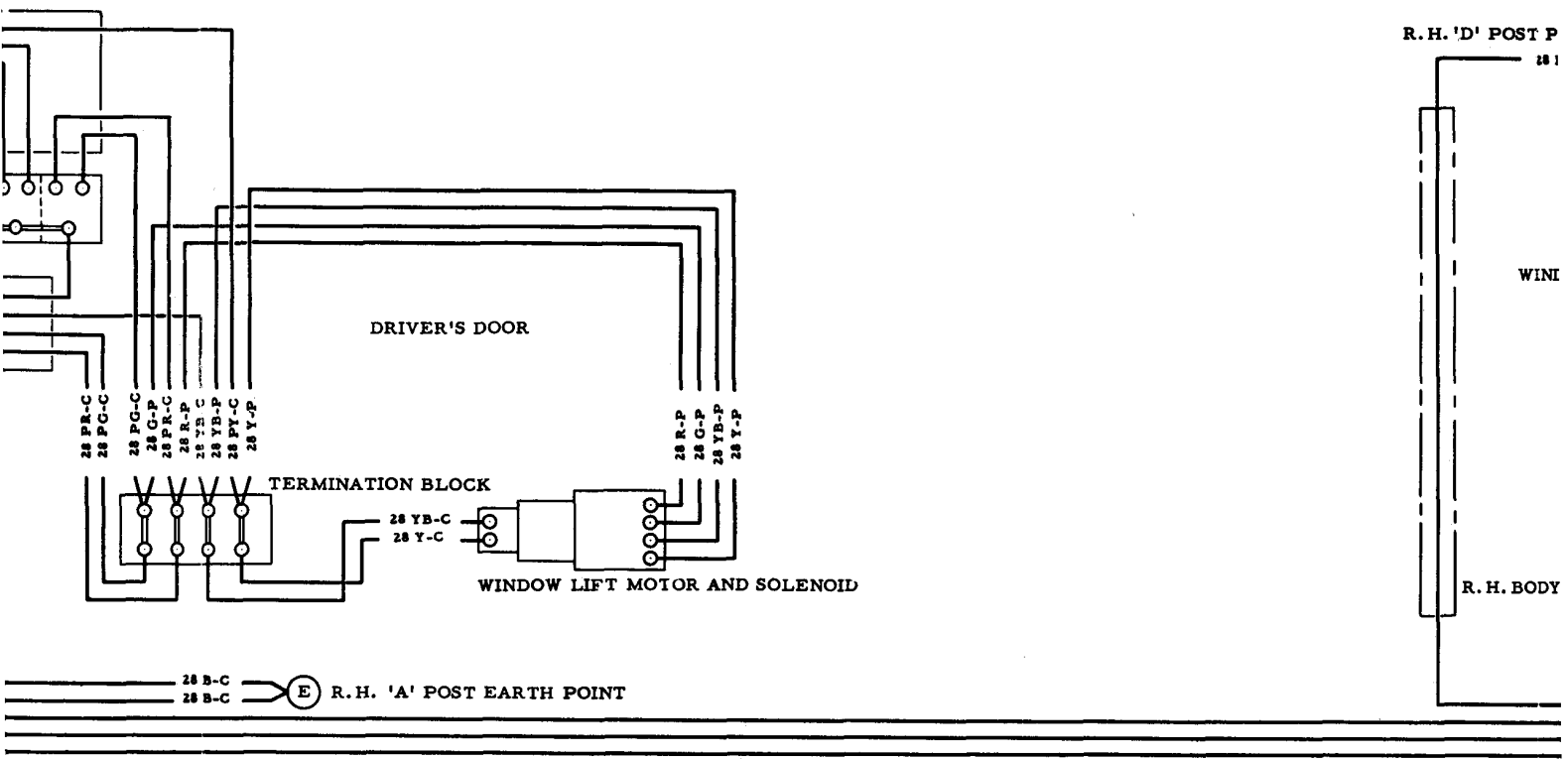
R.H. DRIVE CARS

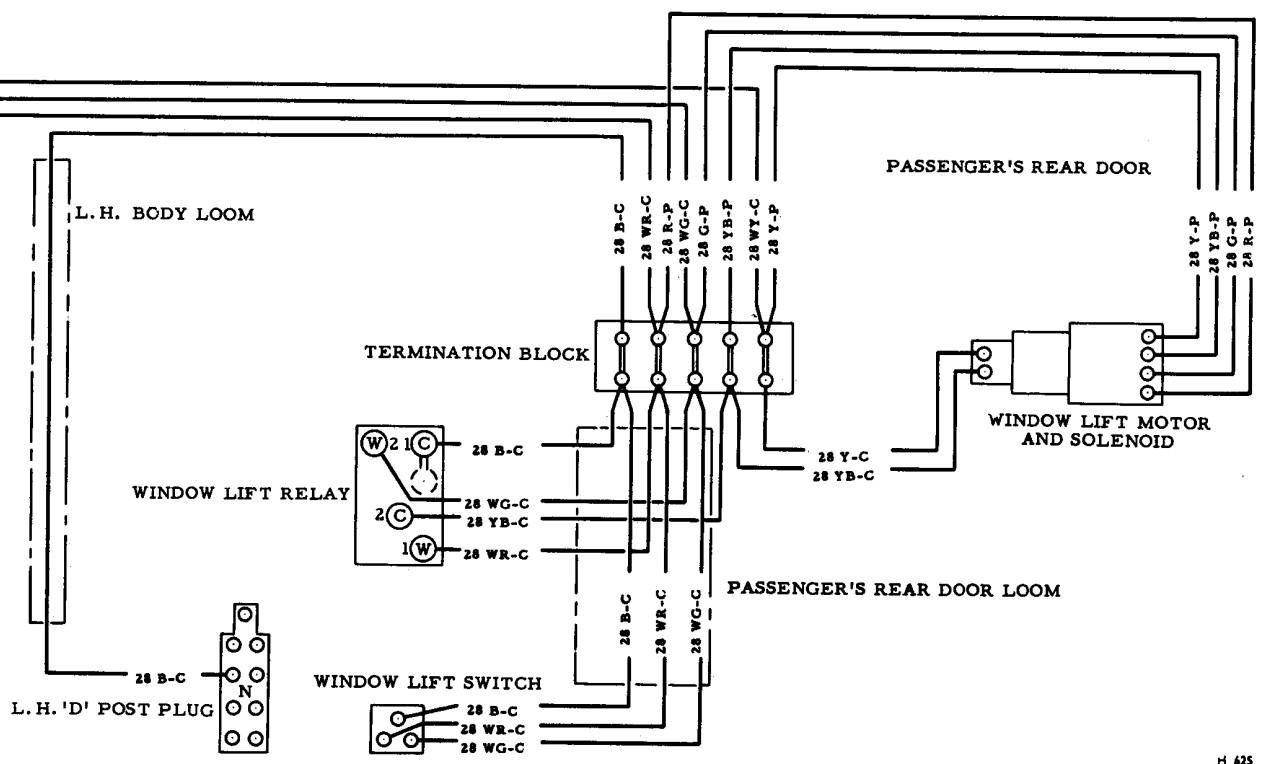
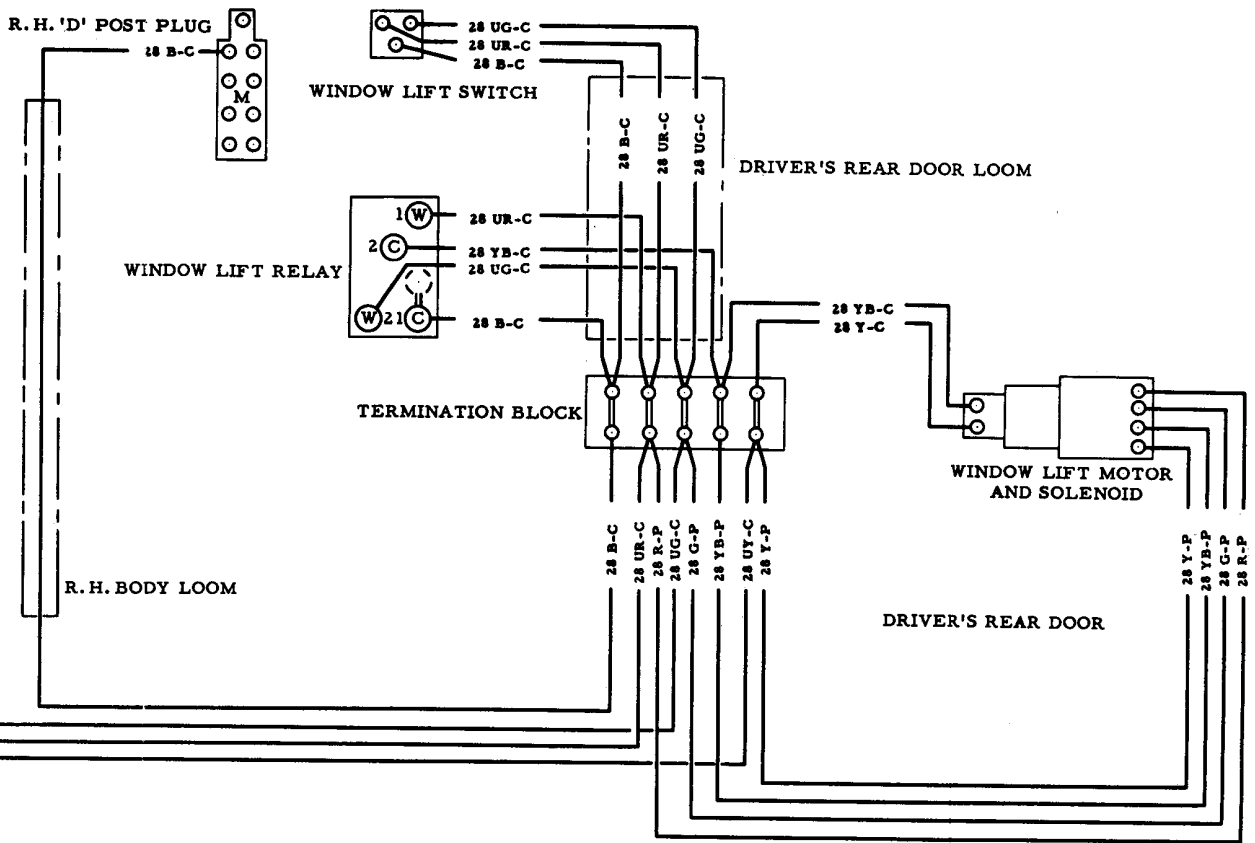
FIRST EDITION

T.S.D Publication 2432

© *Rolls-Royce Limited, 1967*







SHEET 6

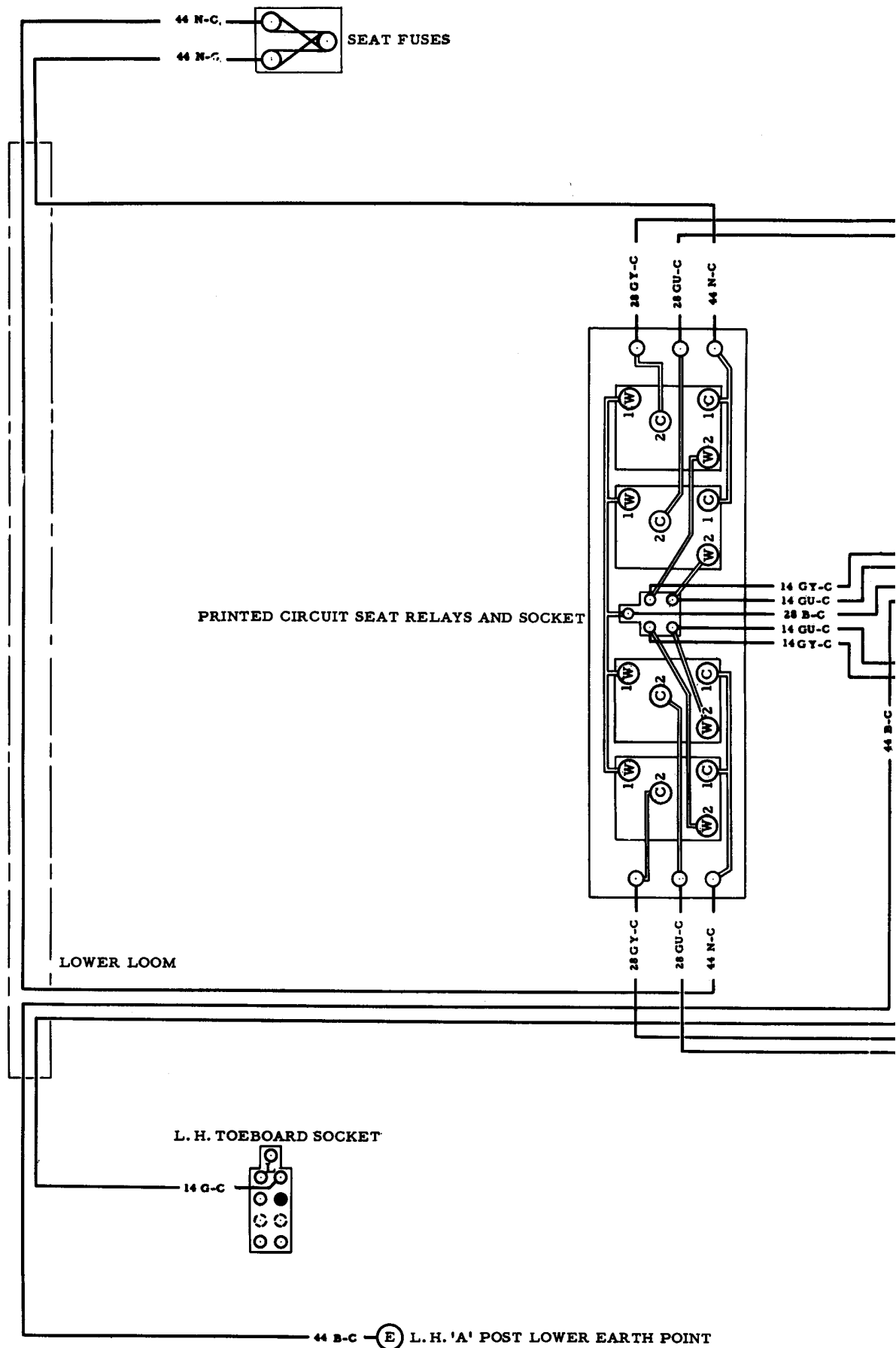
ELECTRICALLY OPERATED SEATS

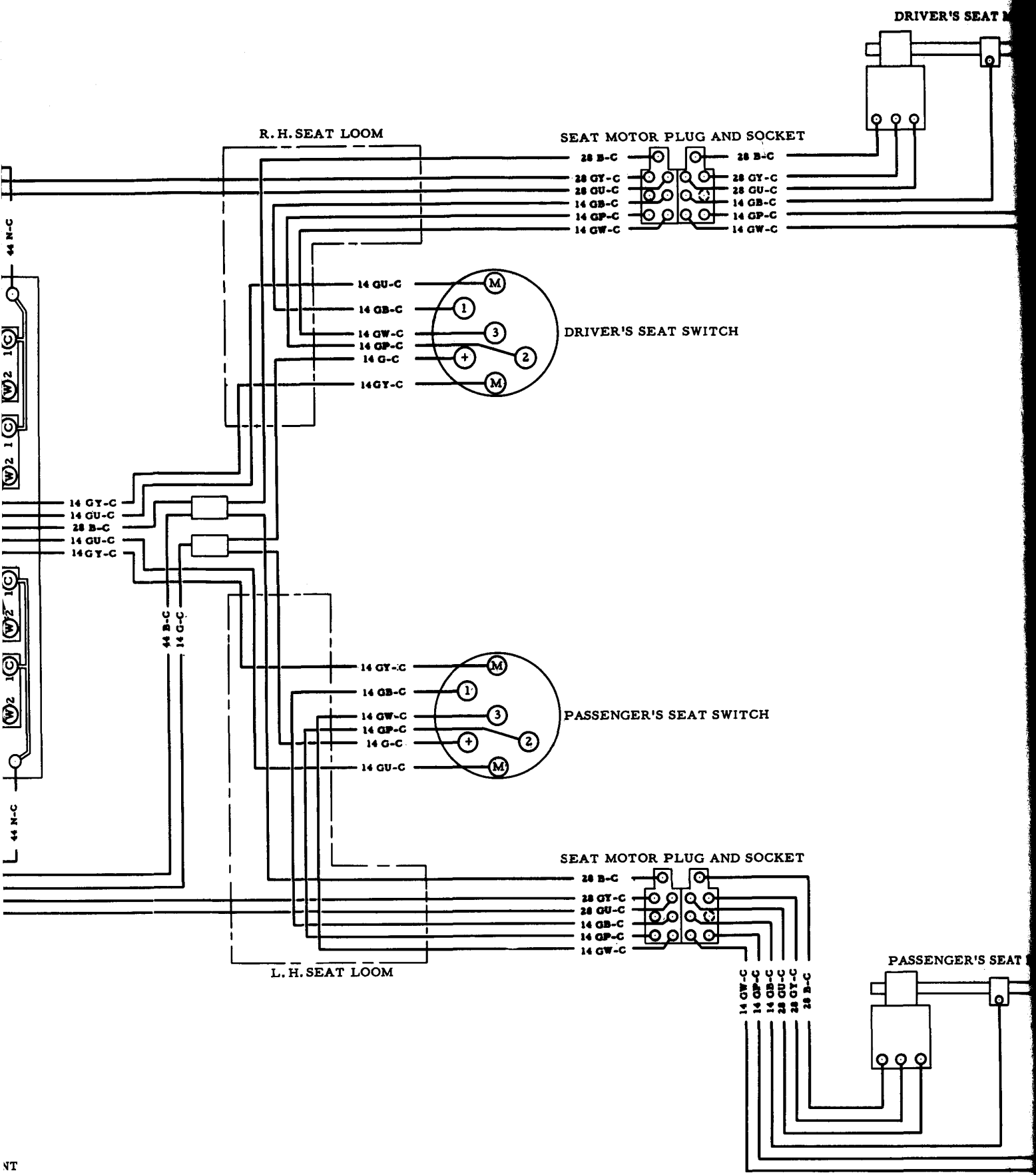
R.H. DRIVE CARS

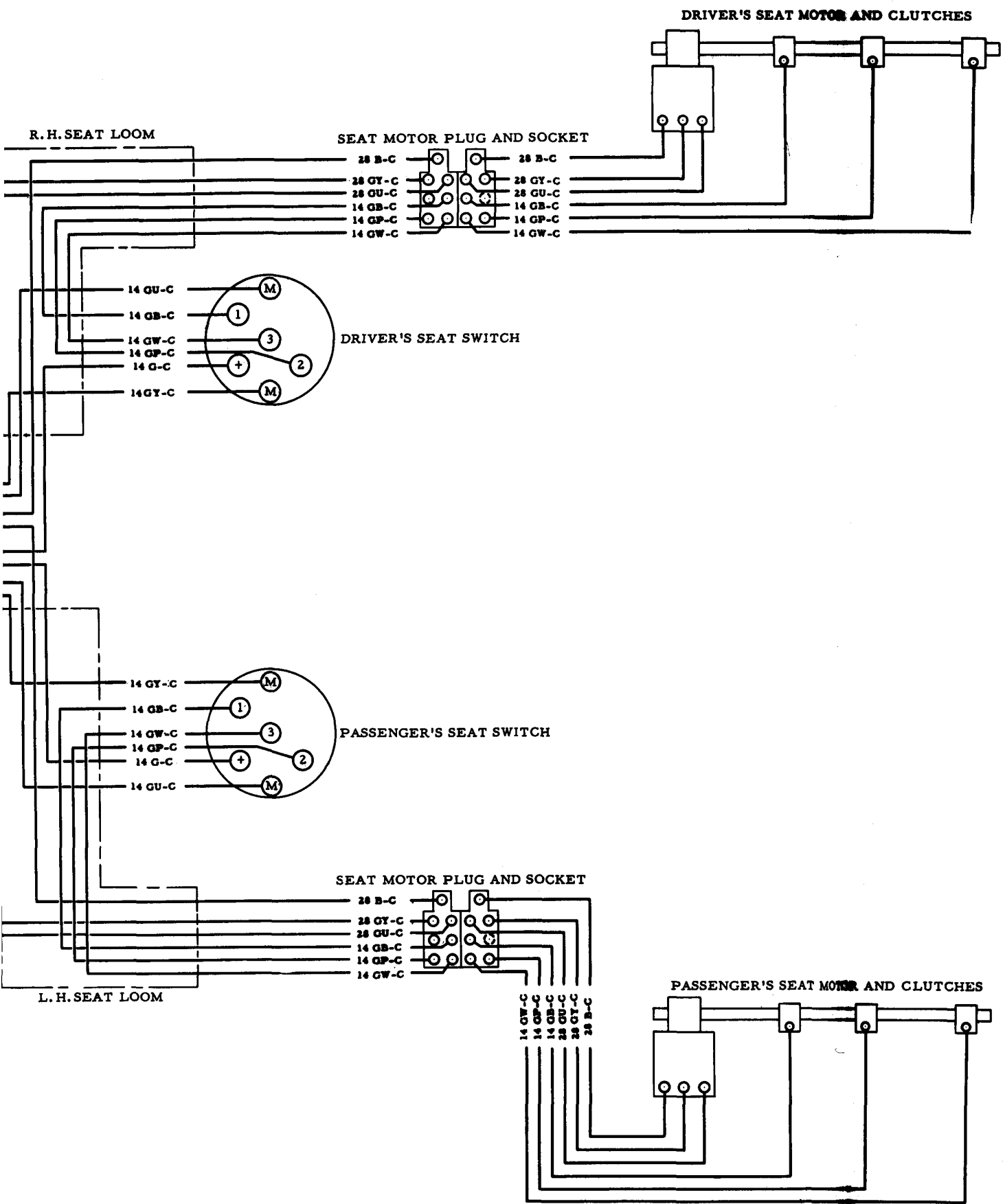
FIRST EDITION

T.S.D. Publication 2432

© *Rolls-Royce Limited, 1967*







PRACTICAL WIRING DIAGRAM

SHEET 7

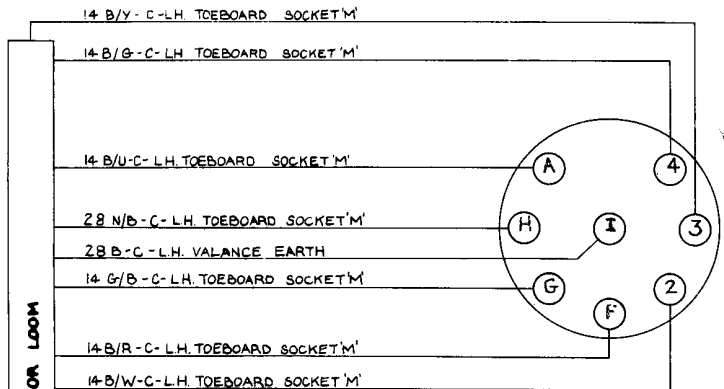
GEAR RANGE SELECTOR

ROLLS-ROYCE SILVER SHADOW AND BENTLEY T SERIES RIGHT-HAND DRIVE CARS PRIOR TO CAR SERIAL NUMBER SRH 5001

TSD Publication 2432

© Rolls-Royce Limited 1969

Rolls-Royce policy is one of continuous engineering improvement and the right is reserved to revise the contents of this publication without prior notice.

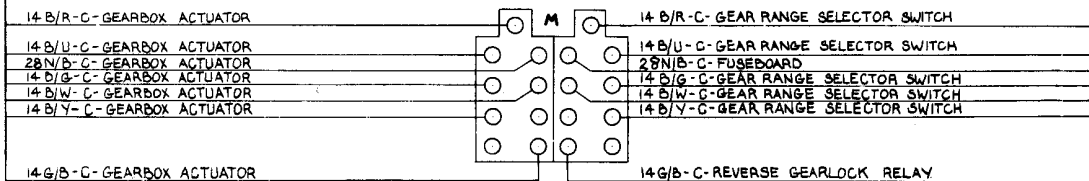


GEARBOX ACTUATOR

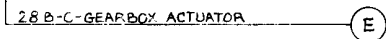
GEARBOX ACTUATOR LOOM

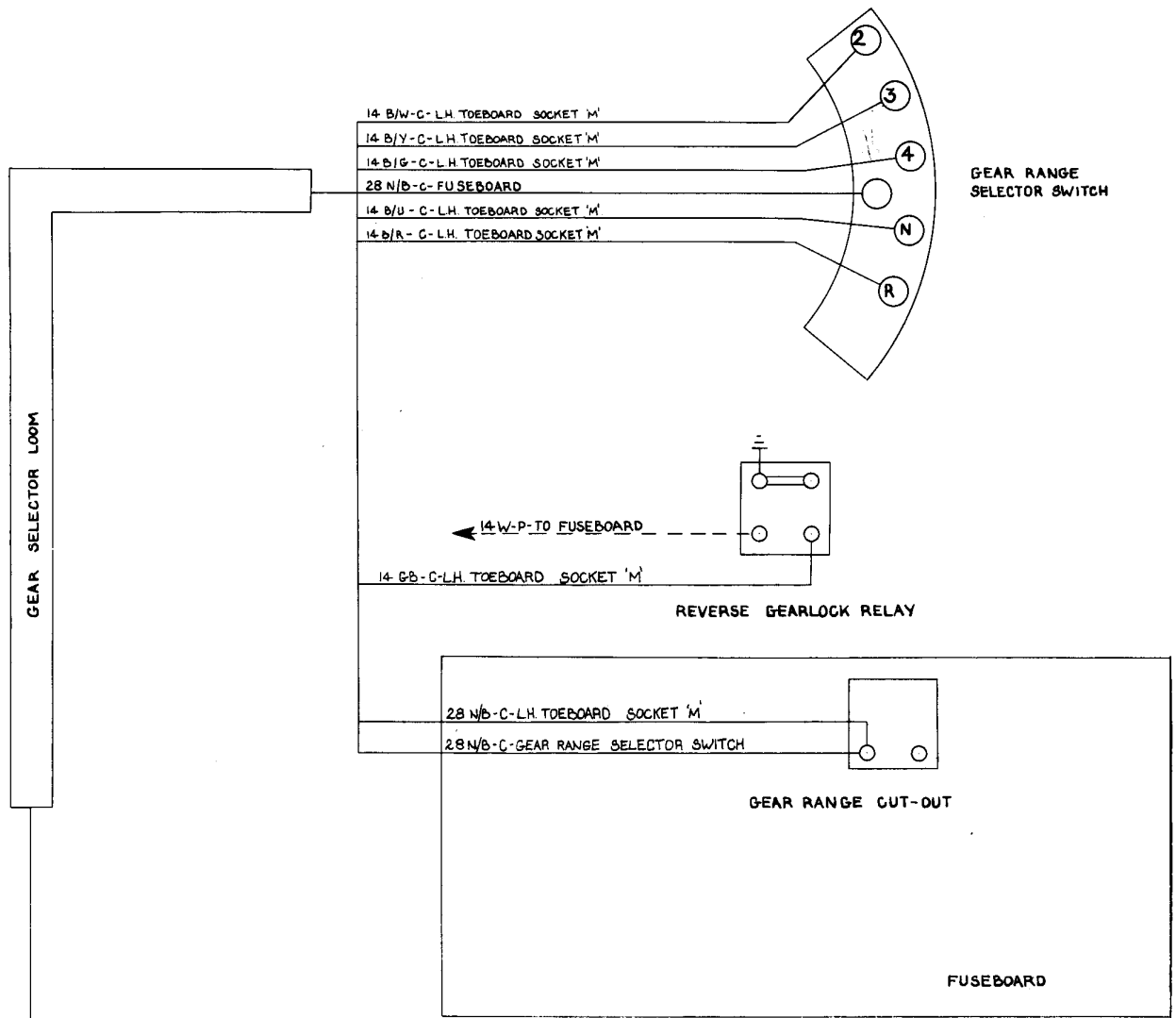
GEAR SELECTOR LOOM

L.H. TOEBOARD PLUG AND SOCKET



L.H. VALANCE EARTH POINT





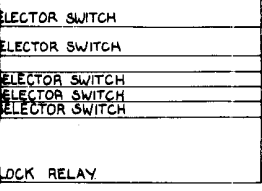
KEY TO DIAGRAM

CABLE COLOURS

B-BLACK	N-BROWN	R-RED
P-PURPLE	U-BLUE	G-GREEN
Y-YELLOW	W-WHITE	S-SLATE

EXAMPLE ○ — UP-P

BLUE BASE WITH PURPLE TRACER PLASTIC COVERED
 FIRST COLOUR AS BASE SECOND COLOUR AS TRACER
 SUFFIX P - PLASTIC COVERED CABLE
 SUFFIX C - COTTON COVERED CABLE



PRACTICAL WIRING DIAGRAM

SHEET 8

AIR CONDITIONING UNIT

ROLLS-ROYCE SILVER SHADOW AND BENTLEY T SERIES RIGHT-HAND DRIVE CARS PRIOR TO CAR SERIAL NUMBER SRH 5001

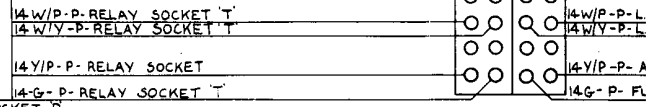
TSD Publication 2432

© Rolls-Royce Limited 1969

Rolls-Royce policy is one of continuous engineering improvement and the right is reserved to revise the contents of this publication without prior notice.

R.H. VALANCE LOOM

R.H. TOEBOARD PLUG AND SOCKET



KEY TO DIAGRAM

CABLE COLOURS

B BLACK	N BROWN	R RED
P PURPLE	U BLUE	G GREEN
Y YELLOW	W WHITE	S SLATE

EXAMPLE

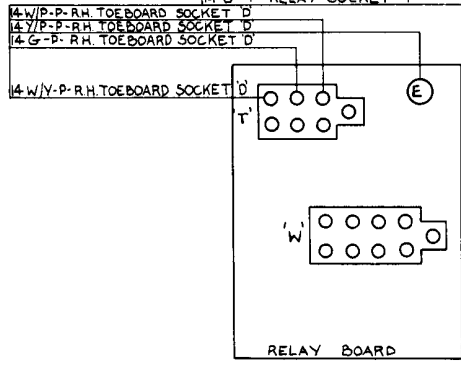
UP-P

BLUE BASE WITH PURPLE TRACER. PLASTIC COVERED
FIRST COLOUR AS BASE

SECOND COLOUR AS TRACER

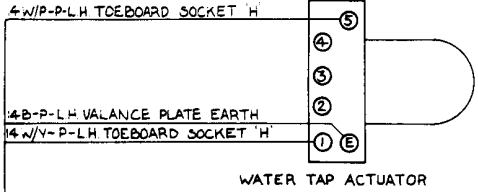
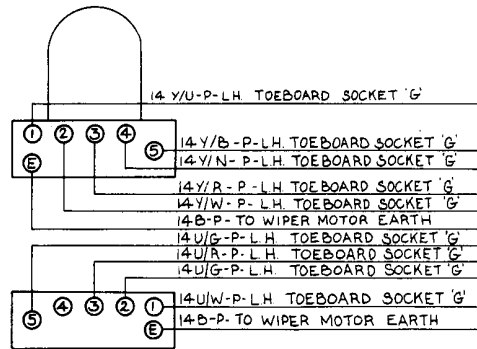
SUFFIX P- PLASTIC COVERED CABLE

SUFFIX G- COTTON COVERED CABLE



LOWER
LOWER

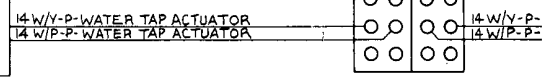
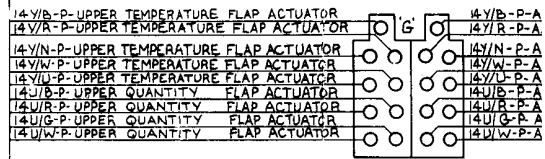
UPPER TEMPERATURE FLAP ACTUATOR



L.H. VALANCE LOOM

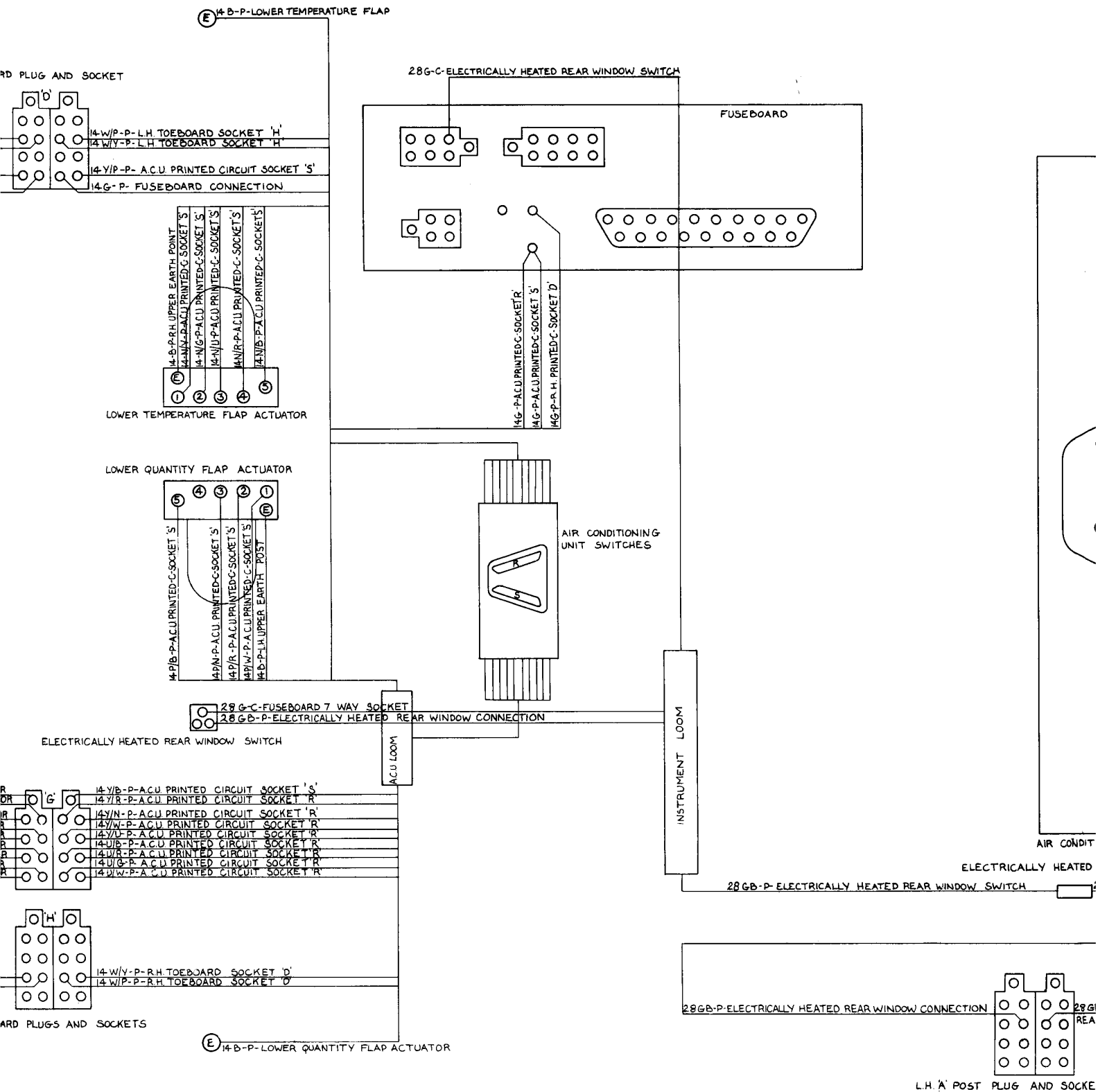
ELECTRICALLY HEATI

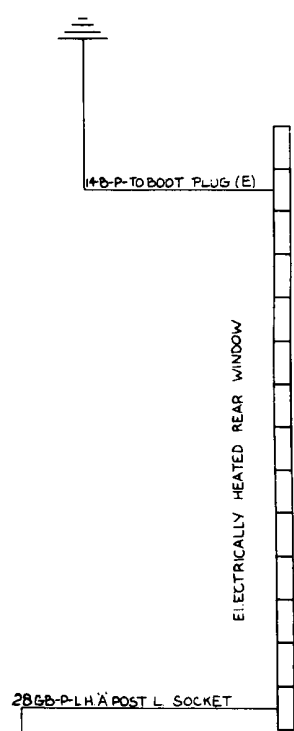
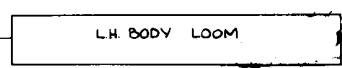
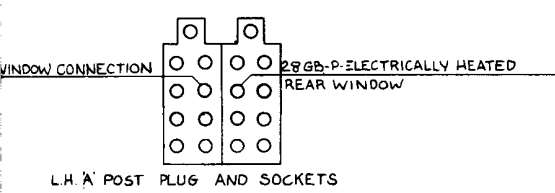
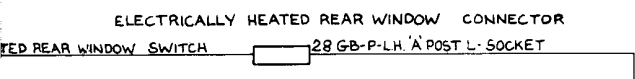
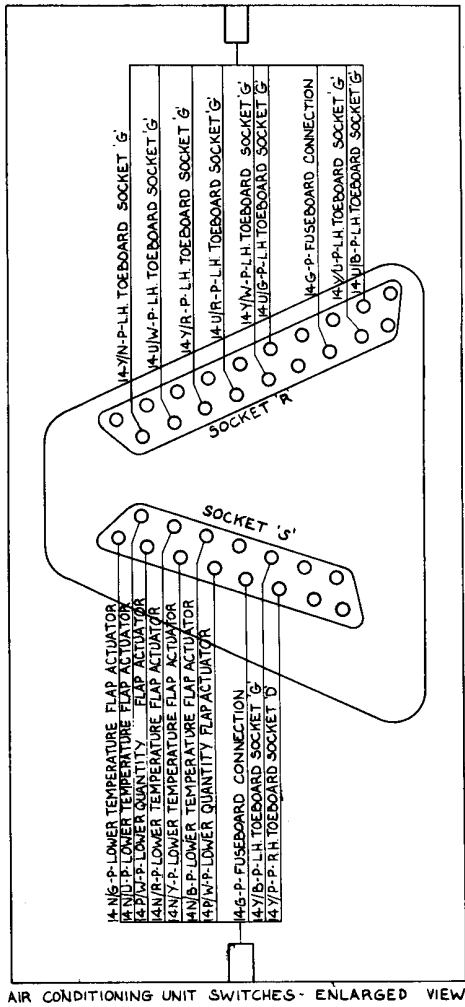
UPPER QUANTITY FLAP ACTUATOR



L.H. TOEBOARD PLUGS AND SOCKETS

14 B-P-WATER TAP ACTUATOR





PRACTICAL WIRING DIAGRAM

SHEET 9

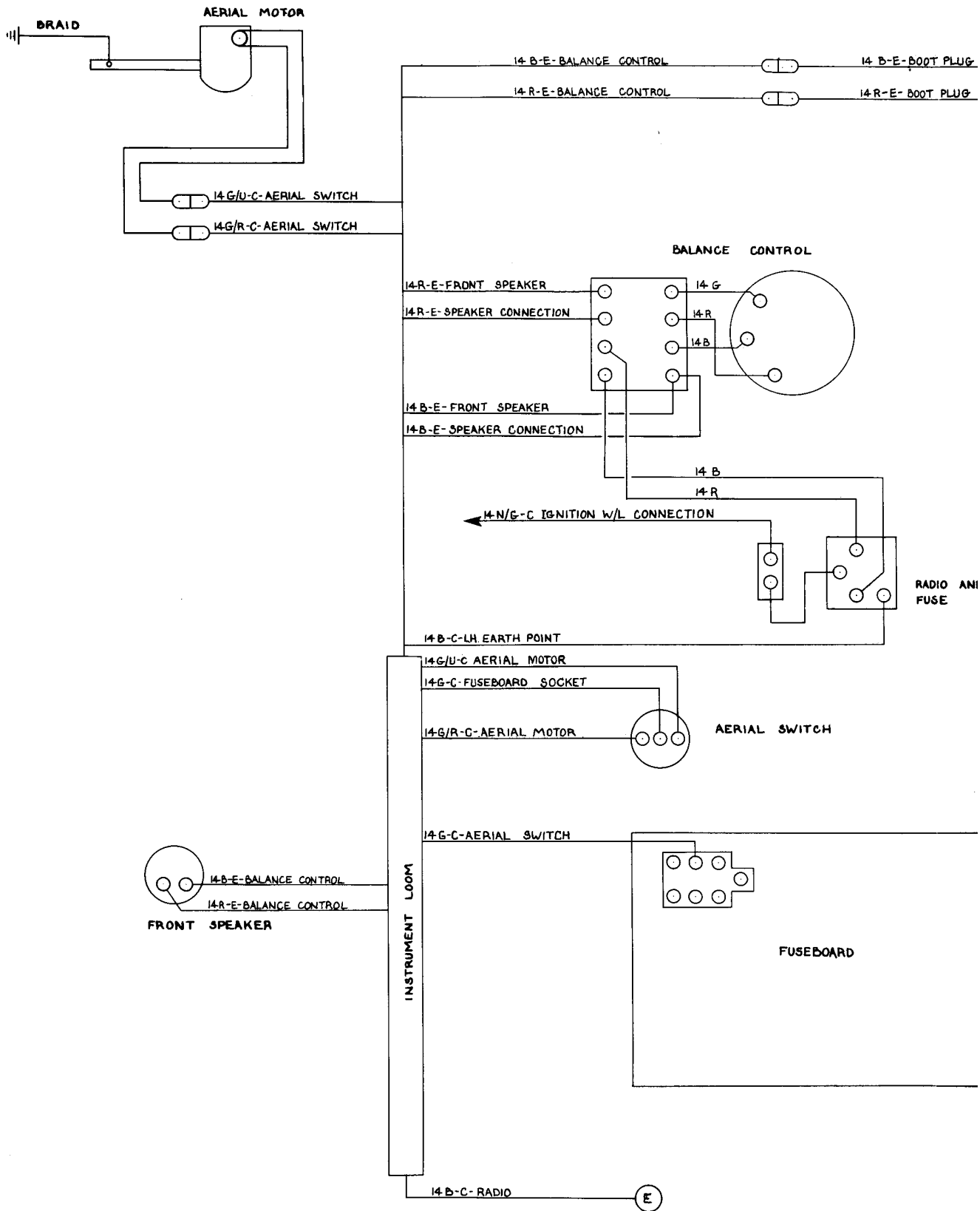
RADIO RECIEVER & SPEAKERS

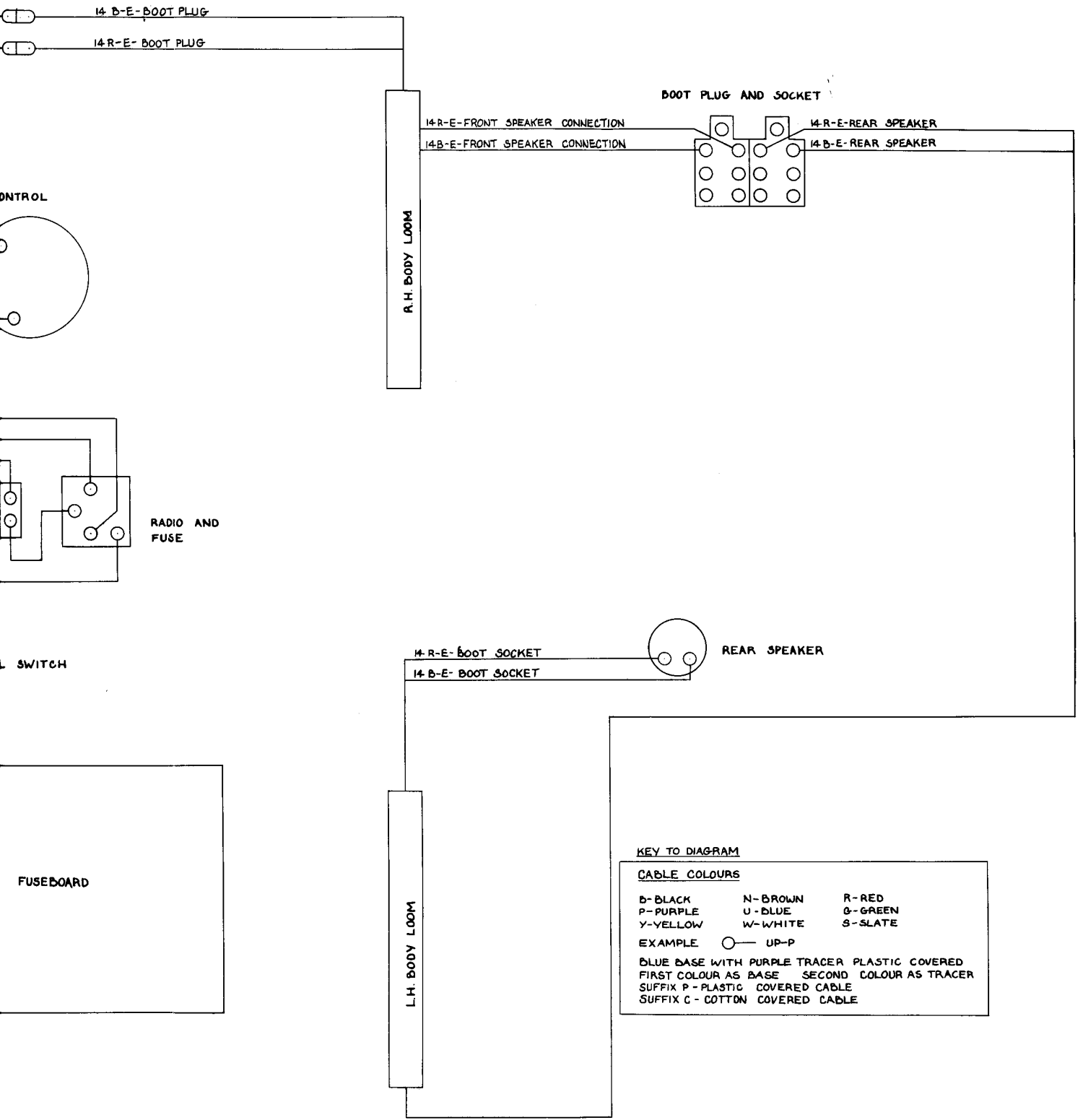
**ROLLS-ROYCE SILVER SHADOW
AND
BENTLEY T SERIES
RIGHT-HAND DRIVE CARS
PRIOR TO CAR SERIAL NUMBER SRH 5001**

TSD Publication 2432

© Rolls-Royce Limited 1969

Rolls-Royce policy is one of continuous engineering improvement and the right is reserved to revise the contents of this publication without prior notice.





KEY TO DIAGRAM

CABLE COLOURS

B-BLACK	N-BROWN	R-RED
P-PURPLE	U-BLUE	G-GREEN
Y-YELLOW	W-WHITE	S-SLATE

EXAMPLE ○ — UP-P

BLUE BASE WITH PURPLE TRACER PLASTIC COVERED
 FIRST COLOUR AS BASE SECOND COLOUR AS TRACER
 SUFFIX P - PLASTIC COVERED CABLE
 SUFFIX C - COTTON COVERED CABLE

PRACTICAL WIRING DIAGRAM

SHEET 10

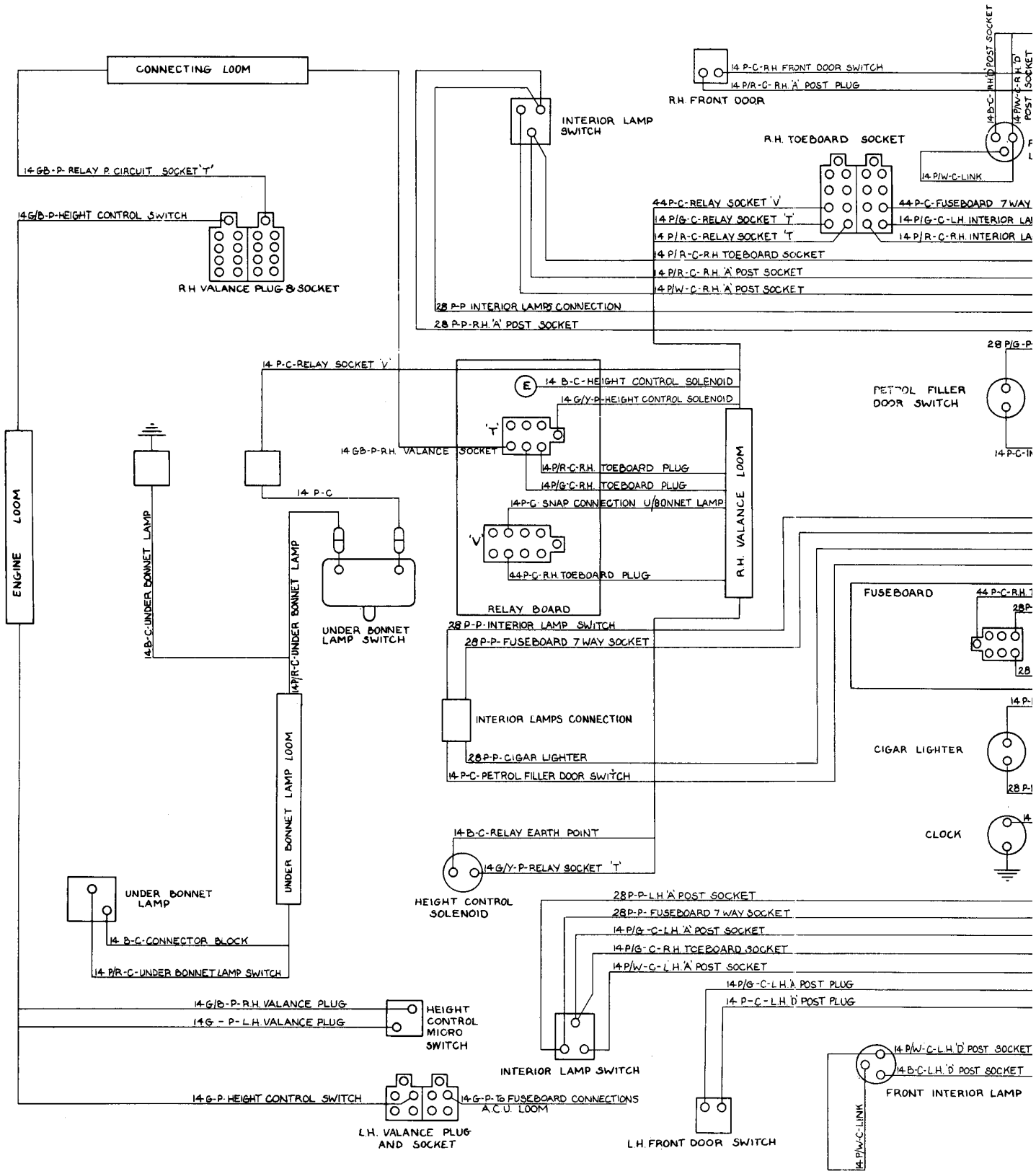
INTERIOR LIGHTING

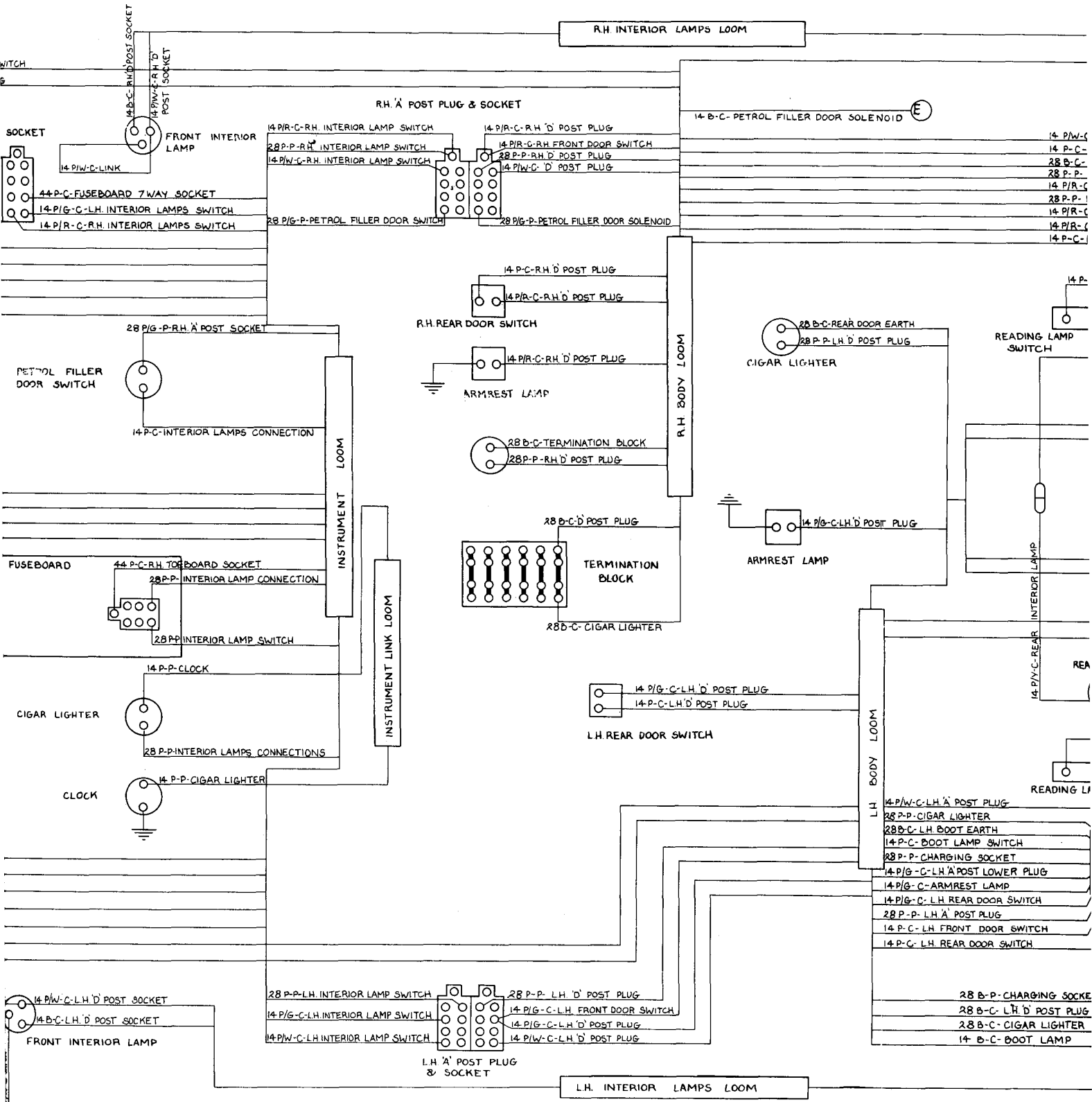
ROLLS-ROYCE SILVER SHADOW AND BENTLEY T SERIES RIGHT-HAND DRIVE CARS PRIOR TO CAR SERIAL NUMBER SRH 5001

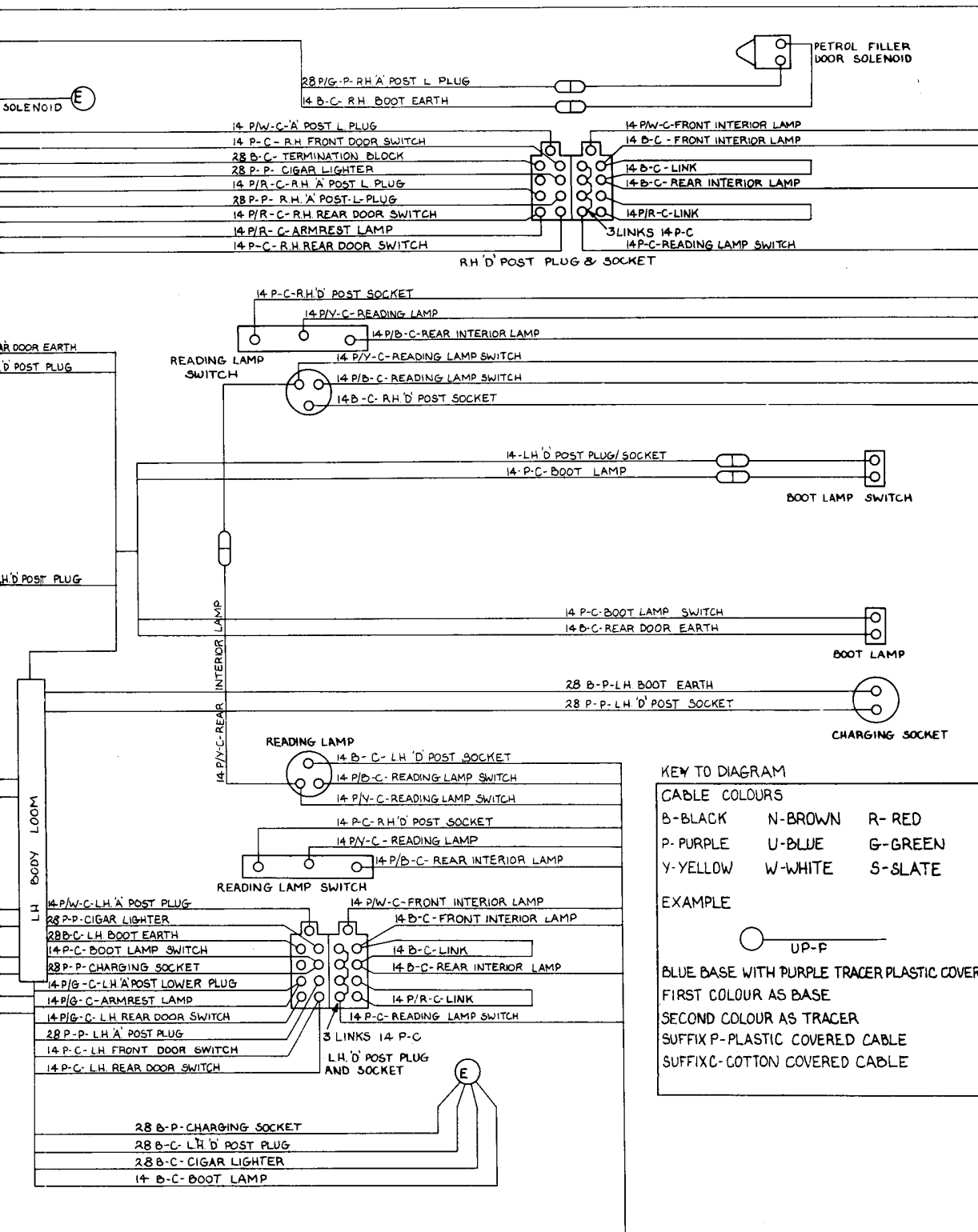
TSD Publication 2432

© Rolls-Royce Limited 1969

Rolls-Royce policy is one of continuous engineering improvement and the right is reserved to revise the contents of this publication without prior notice.







Section 3

RIGHT-HAND DRIVE CARS FROM SERIAL NUMBER 5001 TO 6000

APPLICATION

Theoretical

SHEET No

1

Printed in England

September 1970

T.S.D 2476

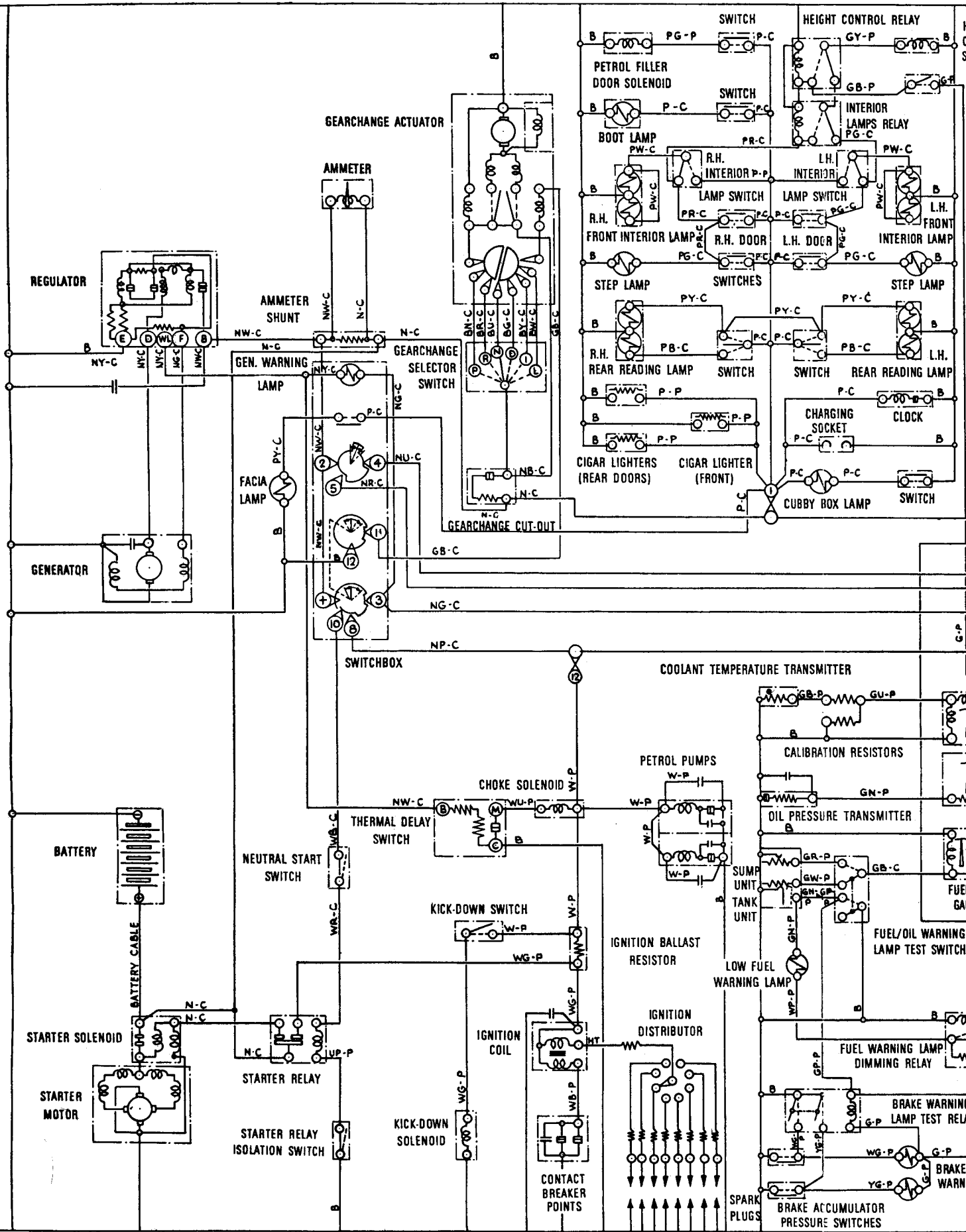
THEORETICAL WIRING DIAGRAM

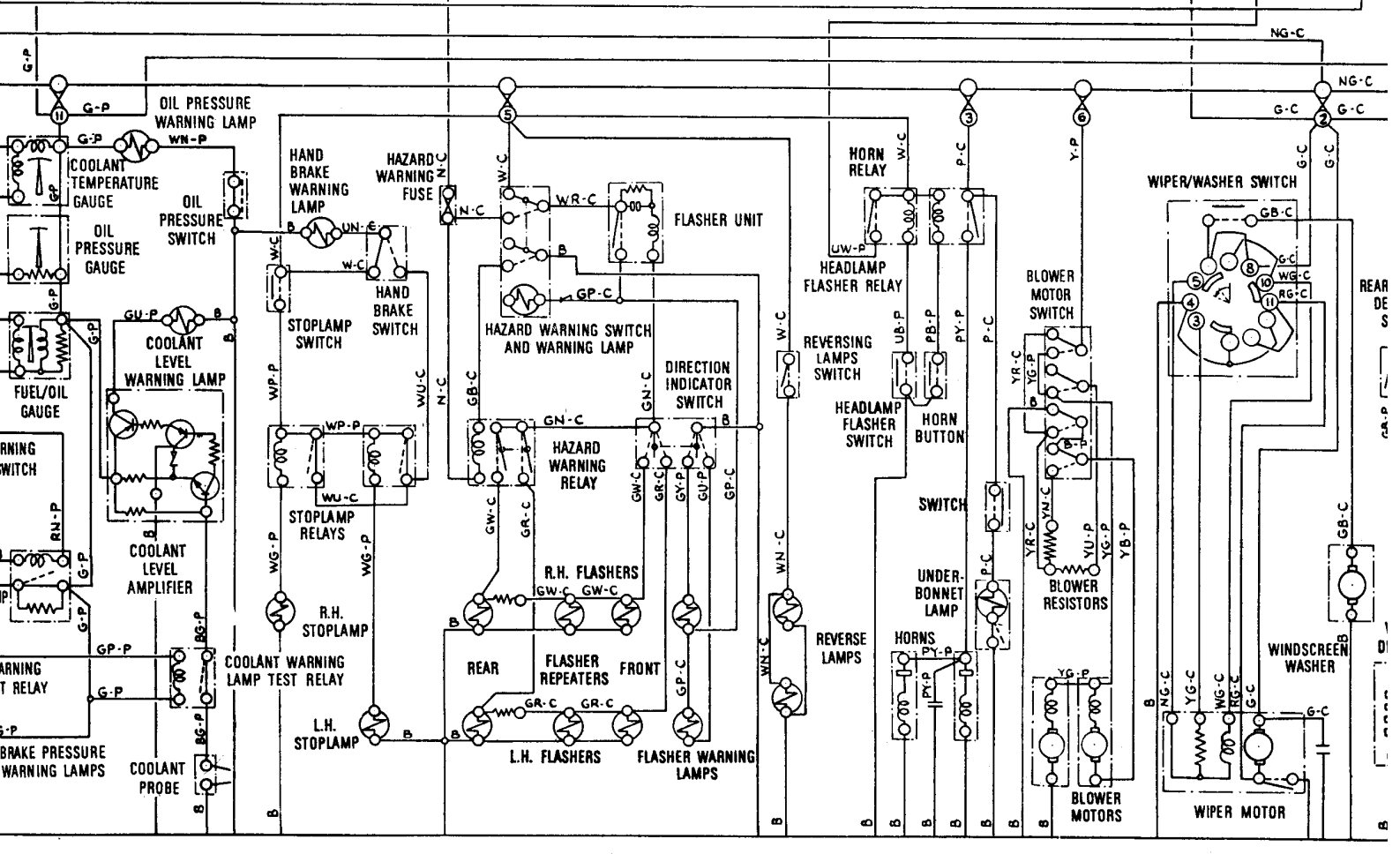
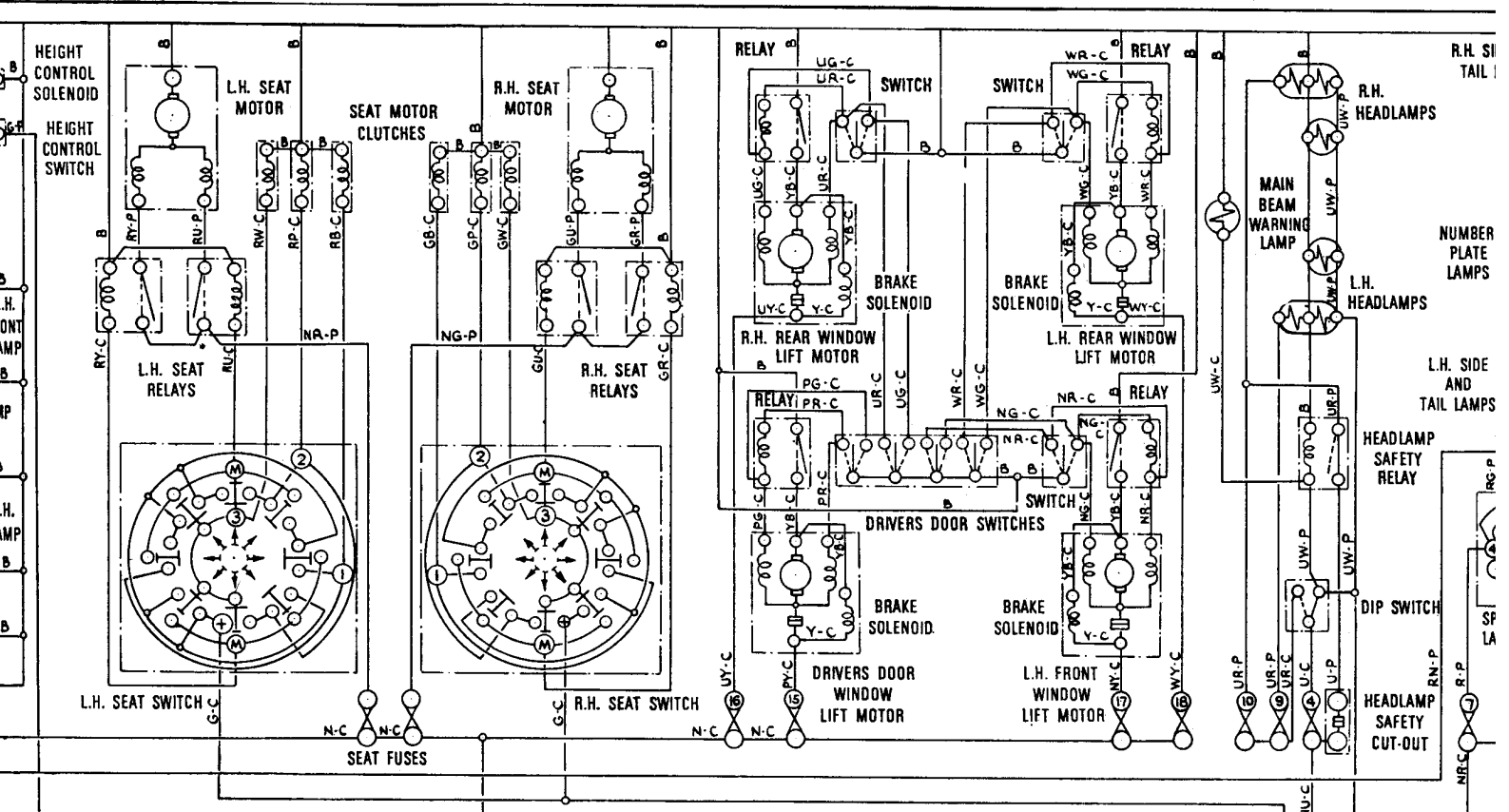
ROLLS-ROYCE SILVER SHADOW AND BENTLEY T SERIES RIGHT-HAND DRIVE STANDARD CARS (Car Serial Numbers 5001-6000)

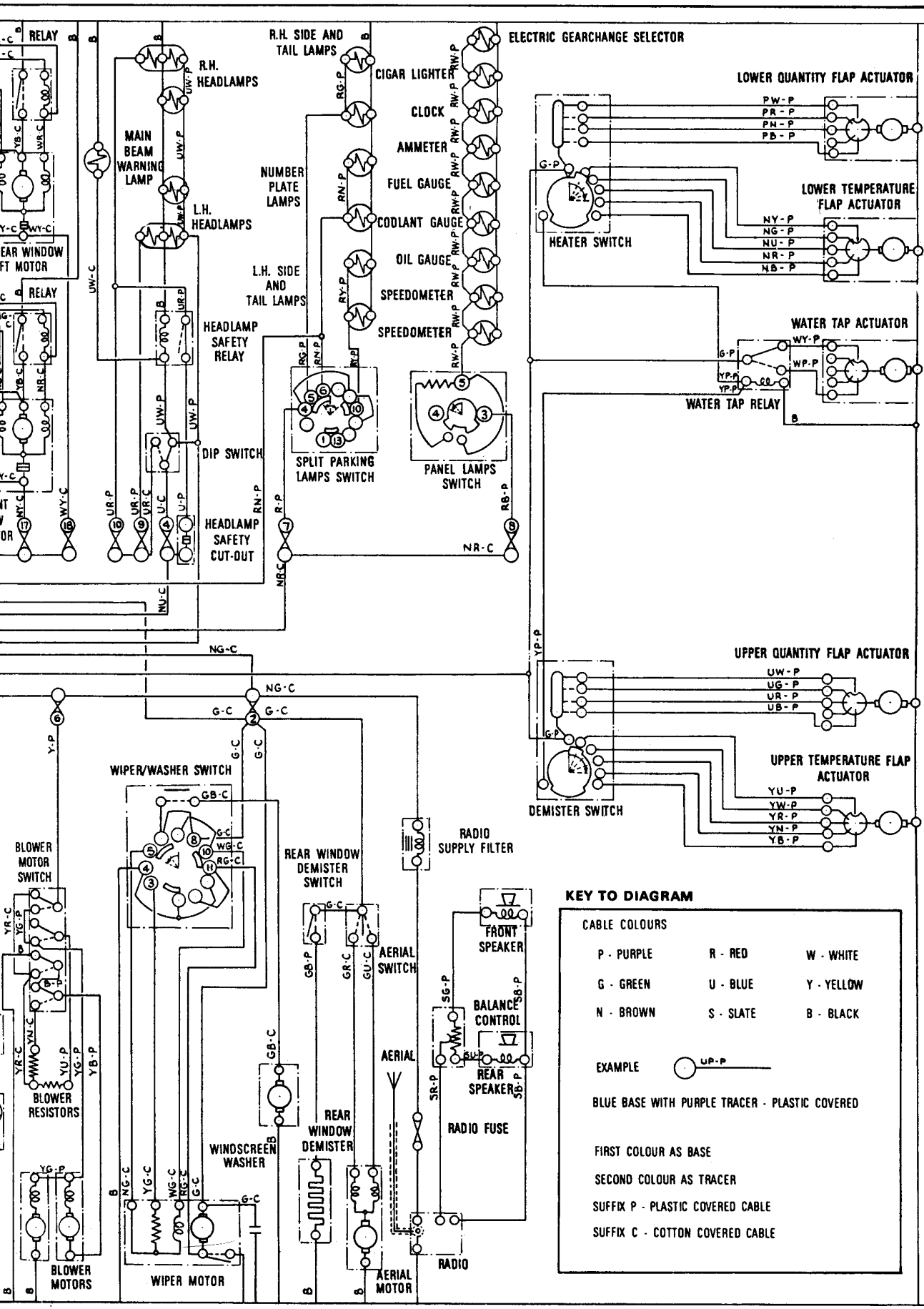
TSD Publication 2481

© Rolls-Royce Limited (1968)

Rolls-Royce policy is one of continuous engineering improvement and the right is reserved to revise the contents of this publication without prior notice.

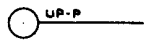






KEY TO DIAGRAM

CABLE COLOURS		
P - PURPLE	R - RED	W - WHITE
G - GREEN	U - BLUE	Y - YELLOW
N - BROWN	S - SLATE	B - BLACK

EXAMPLE  UP-P

BLUE BASE WITH PURPLE TRACER - PLASTIC COVERED

FIRST COLOUR AS BASE

SECOND COLOUR AS TRACER

SUFFIX P - PLASTIC COVERED CABLE

SUFFIX C - COTTON COVERED CABLE

Section 4

LEFT-HAND DRIVE CARS FROM SERIAL NUMBER 6000 TO 9000

APPLICATION

Theoretical

SHEET No

1

Printed in England

September 1970

T.S.D 2476

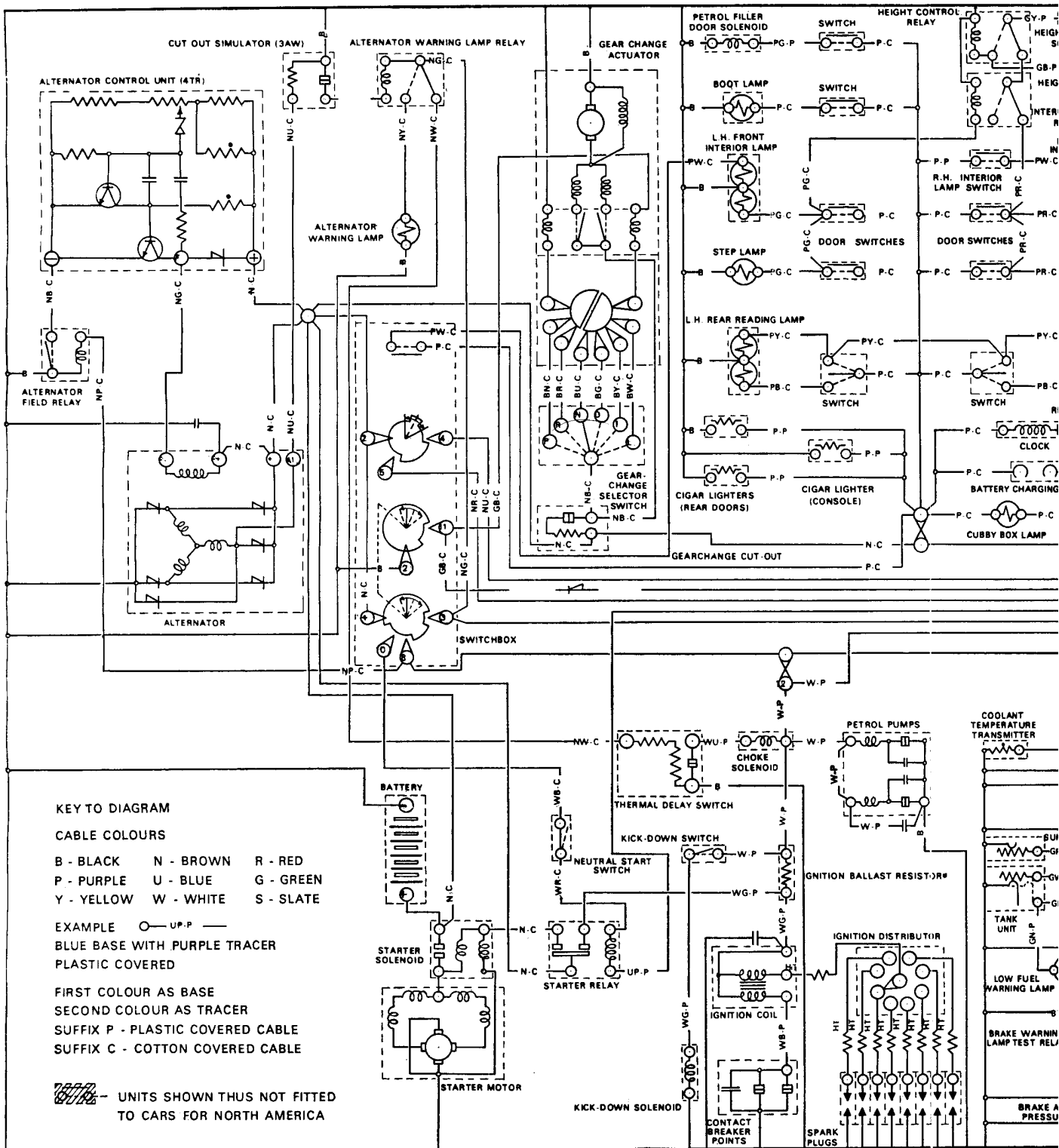
THEORETICAL WIRING DIAGRAM

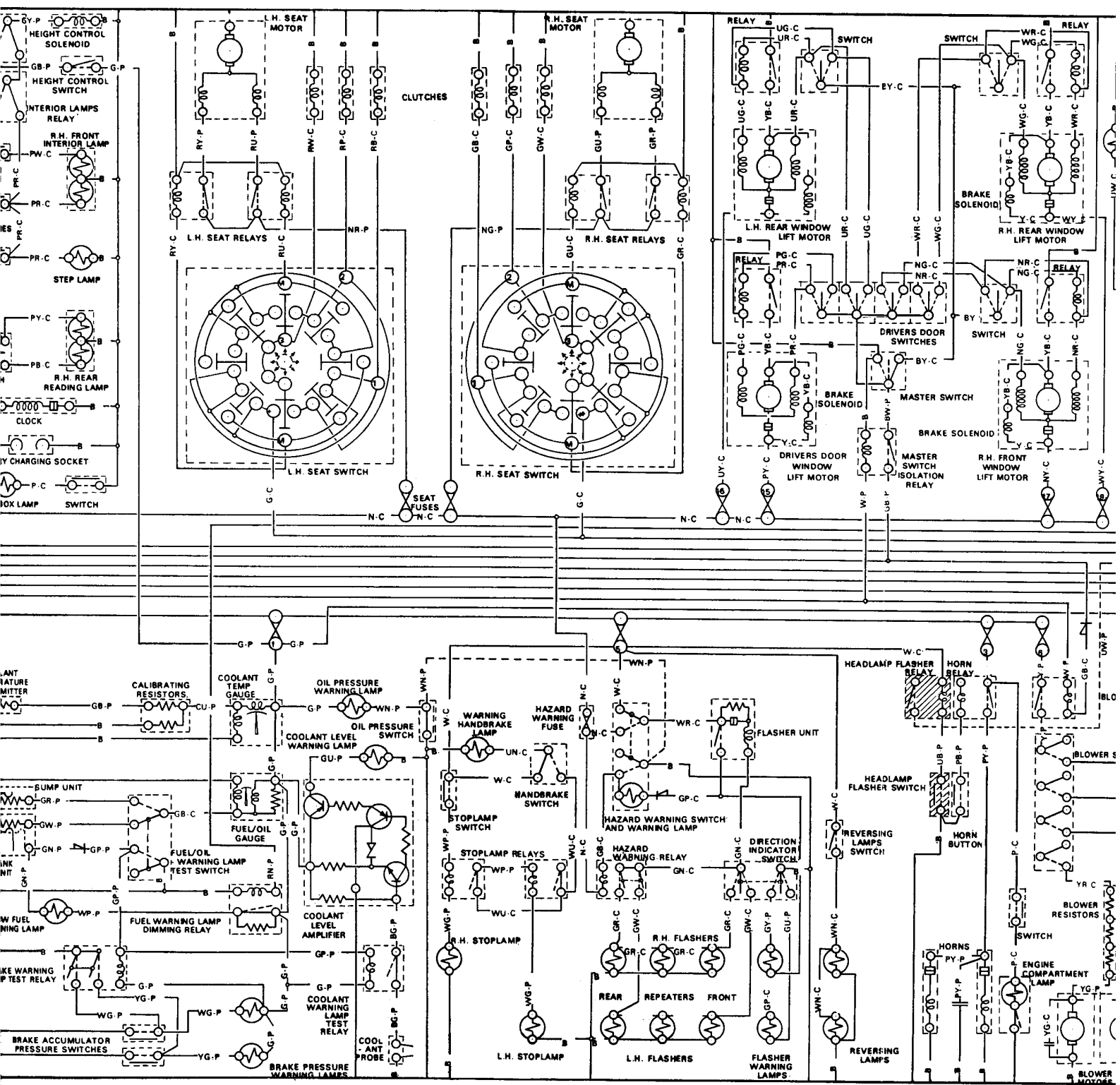
ROLLS-ROYCE SILVER SHADOW AND BENTLEY T SERIES LEFT-HAND DRIVE CARS (A.F.S.S.)

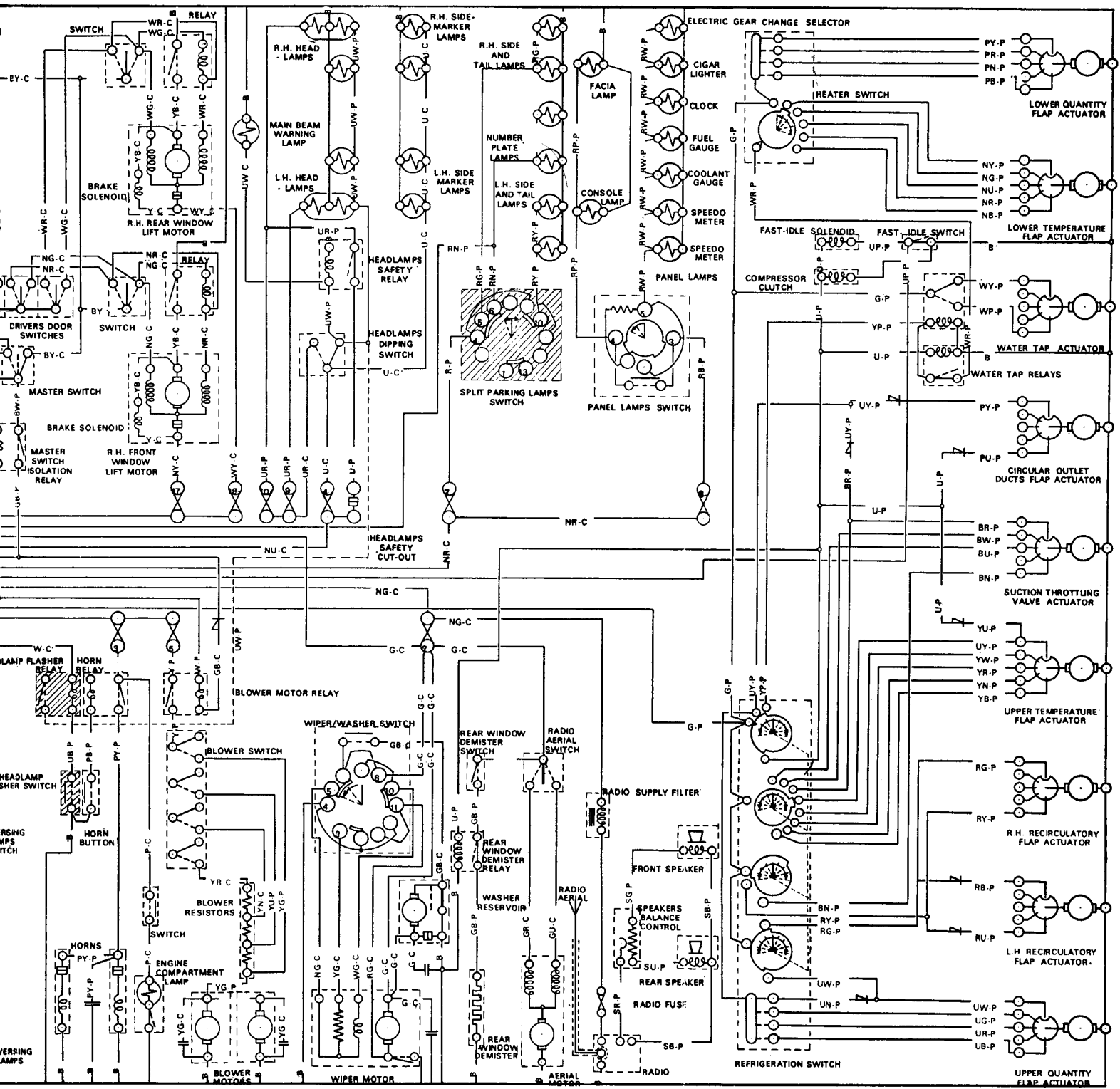
TSD Publication 2442

© Rolls-Royce Limited (1968)

Rolls-Royce policy is one of continuous engineering improvement and the right is reserved to revise the contents of this publication without prior notice.







Section 5

LEFT-HAND DRIVE CARS FROM SERIAL NUMBER 6000 TO 9000

APPLICATION	SHEET No
Engine Compartment Looms and Exterior Lighting Looms	1
Bulkhead Toe-board and Instrument Panel Looms	2
Centre Console and Electrically Operated Seat Looms	3
Electrically Operated Windows, Luggage Compartment, and Side and Rear Exterior Lighting Looms	4

PRACTICAL WIRING DIAGRAM

SHEET I

**ENGINE COMPARTMENT LOOMS AND
EXTERIOR LIGHTING LOOMS**

**ROLLS-ROYCE SILVER SHADOW
AND**

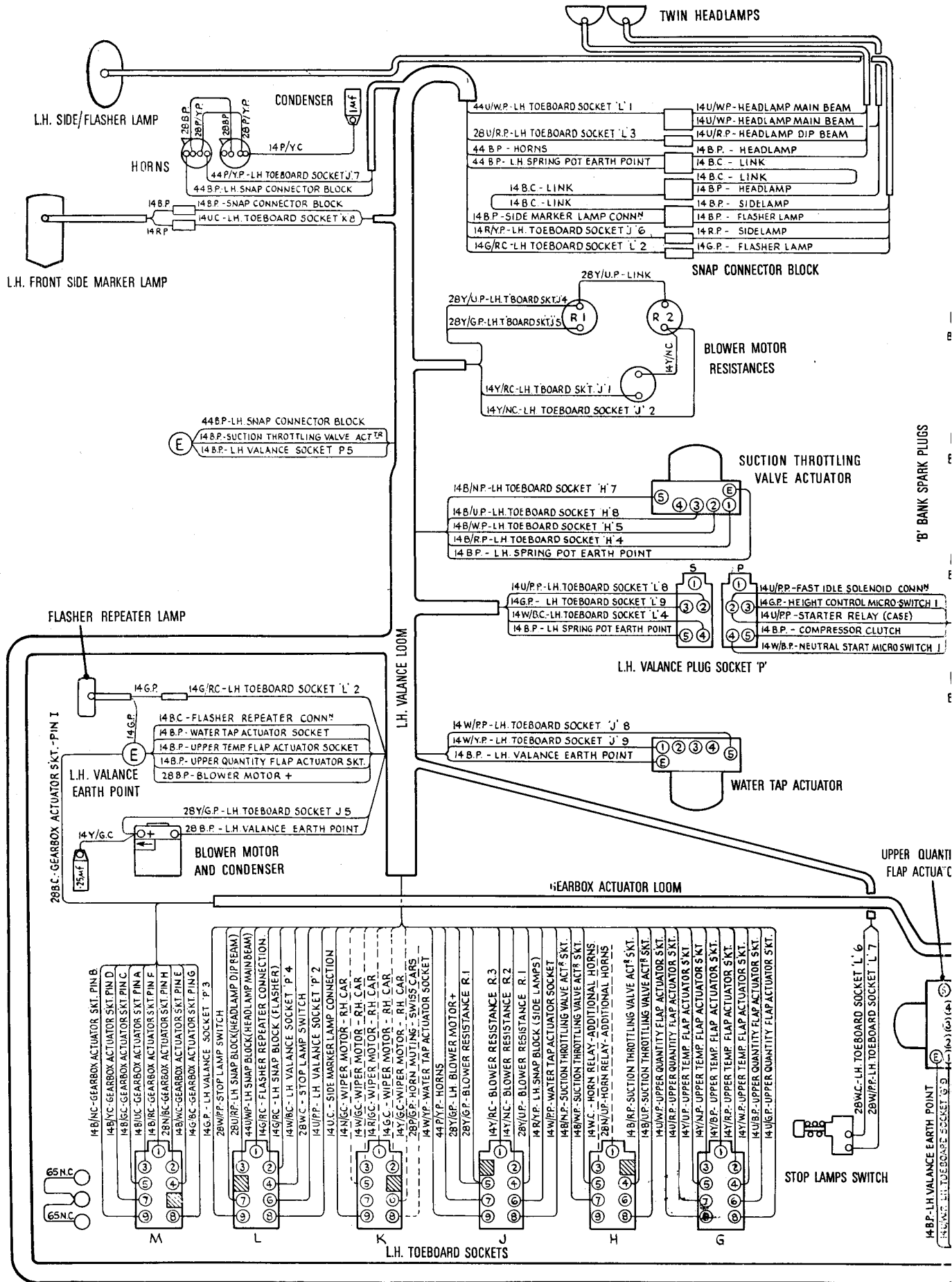
**BENTLEY T SERIES
LEFT-HAND DRIVE CARS**

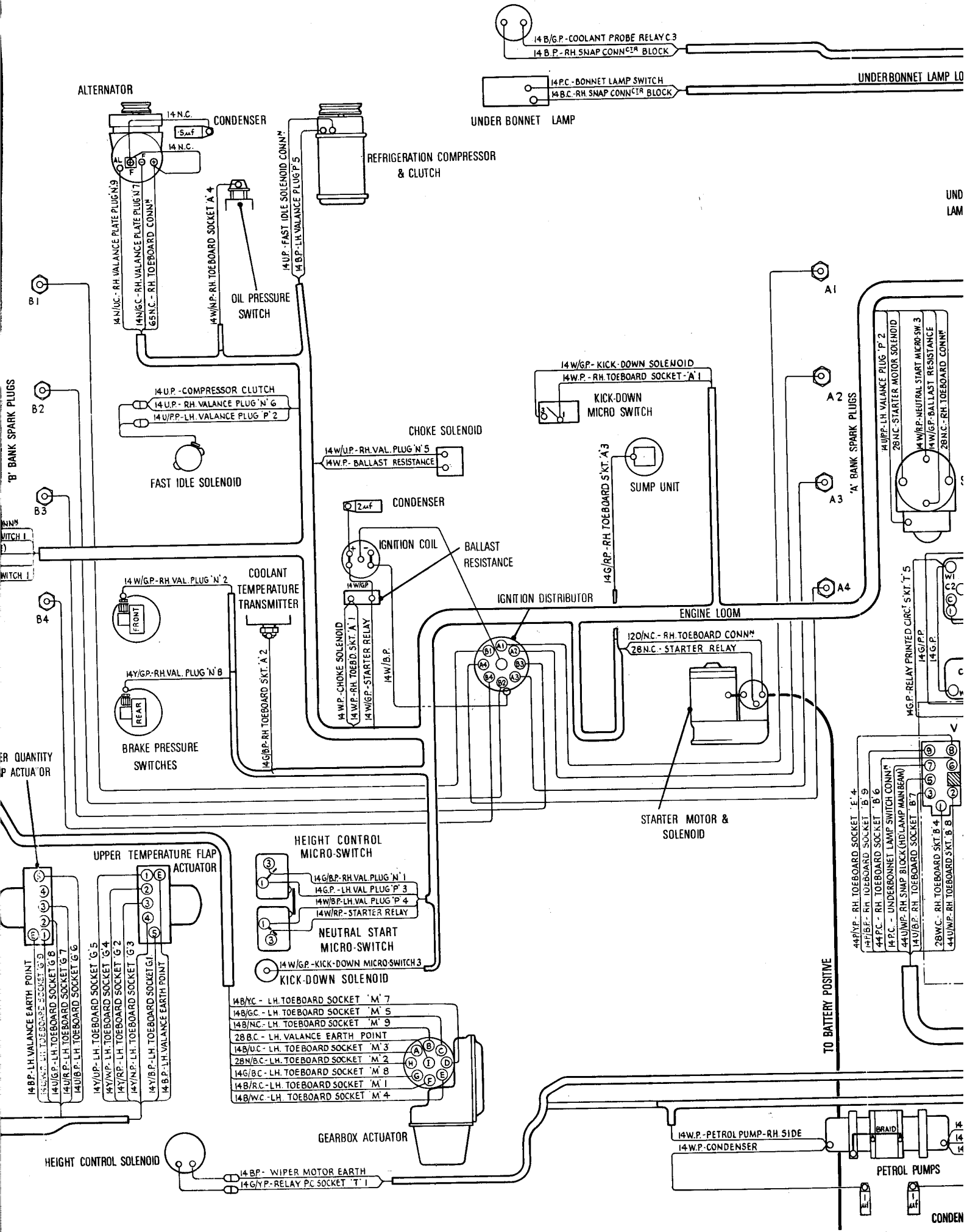
(Car Serial Numbers 6000-9000)

TSD Publication 2463

© Rolls-Royce Limited (1968)

Rolls-Royce policy is one of continuous engineering improvement and the right is reserved to revise the contents of this publication without prior notice





14 B/G.P. - COOLANT PROBE RELAY C 3
 14 B.P. - RH. SNAP CONN^{CR} BLOCK

14 P.C. - BONNET LAMP SWITCH
 14 B.C. - RH. SNAP CONN^{CR} BLOCK

UNDERBONNET LAMP LO

UND
 LAM

'B' BANK SPARK PLUGS

A1
 A2
 A3
 A4

14 U/P.P. - LH. VALANCE PLUG 'P' 2
 28 N.C. - STARTER MOTOR SOLENOID
 14 W/P.P. - NEUTRAL START MICRO-SW 3
 14 W/G.P. - BALLAST RESISTANCE
 28 N.C. - RH. TOEBOARD CONN^M

14 G/P.P. - RELAY PRINTED CIRC. S.K.T. 'T' 5
 14 G/P.P.
 14 G.P.

44 P/P.P. - RH. TOEBOARD SOCKET 'E' 4
 44 P/B.E. - RH. TOEBOARD SOCKET 'B' 9
 44 P.C. - RH. TOEBOARD SOCKET 'B' 6
 14 P.C. - UNDERBONNET LAMP SWITCH CONN^M
 44 U/W.P. - RH. SNAP BLOCK (HOLD LAMP MAIN BEAM)
 14 U/B.P. - RH. TOEBOARD SOCKET 'B' 7
 28 W.C. - RH. TOEBOARD S.K.T. 'B' 4
 44 U/W.P. - RH. TOEBOARD S.K.T. 'B' 8

14 B/Y.C. - LH. TOEBOARD SOCKET 'M' 7
 14 B/G.C. - LH. TOEBOARD SOCKET 'M' 5
 14 B/N.C. - LH. TOEBOARD SOCKET 'M' 9
 28 B.C. - LH. VALANCE EARTH POINT
 14 B/U.C. - LH. TOEBOARD SOCKET 'M' 3
 28 N/B.C. - LH. TOEBOARD SOCKET 'M' 2
 14 G/B.C. - LH. TOEBOARD SOCKET 'M' 8
 14 B/R.C. - LH. TOEBOARD SOCKET 'M' 1
 14 B/W.C. - LH. TOEBOARD SOCKET 'M' 4

ER QUANTITY
 P ACTUATOR

UPPER TEMPERATURE FLAP
 ACTUATOR

14 B.P. - LH. VALANCE EARTH POINT
 14 N/C. - LH. TOEBOARD SOCKET 'G' 9
 14 U/G.P. - LH. TOEBOARD SOCKET 'G' 8
 14 U/R.P. - LH. TOEBOARD SOCKET 'G' 7
 14 U/B.P. - LH. TOEBOARD SOCKET 'G' 6
 14 Y/P.P. - LH. TOEBOARD SOCKET 'G' 5
 14 Y/R.P. - LH. TOEBOARD SOCKET 'G' 4
 14 Y/B.P. - LH. TOEBOARD SOCKET 'G' 3
 14 Y/N.P. - LH. TOEBOARD SOCKET 'G' 2
 14 Y/W.P. - LH. TOEBOARD SOCKET 'G' 1
 14 B.P. - LH. VALANCE EARTH POINT

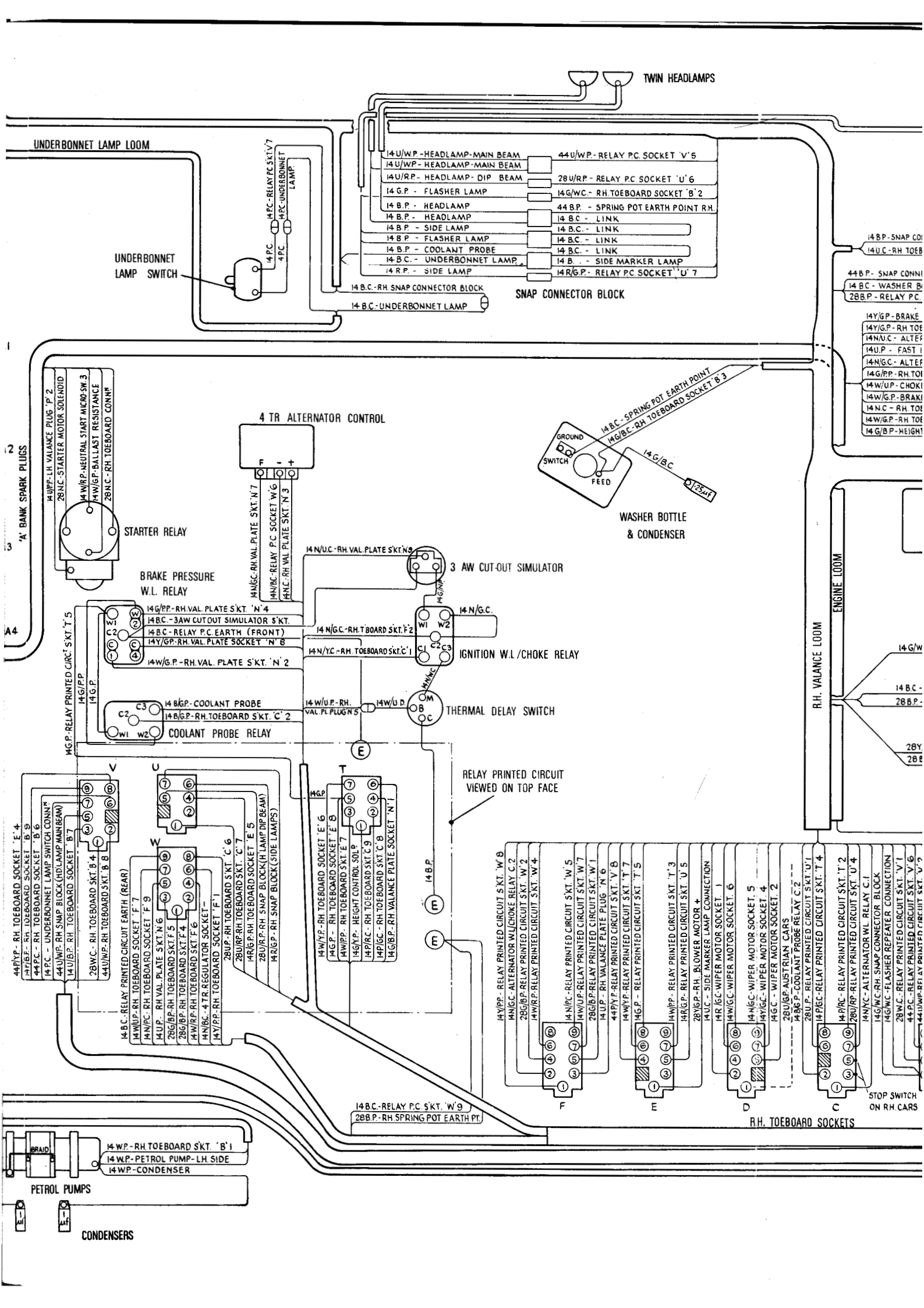
HEIGHT CONTROL SOLENOID

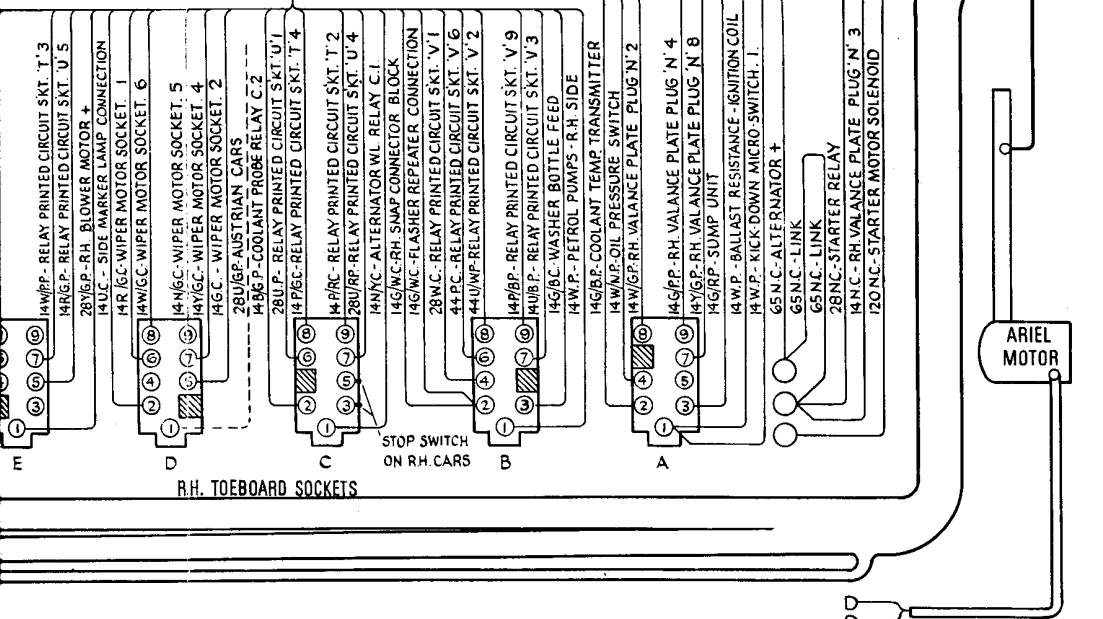
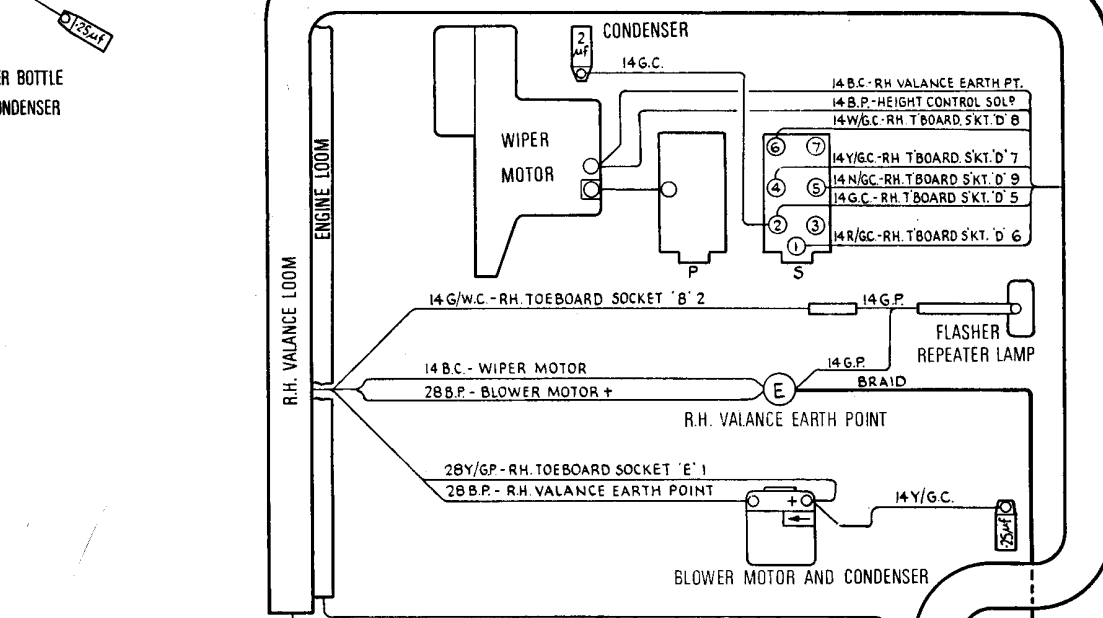
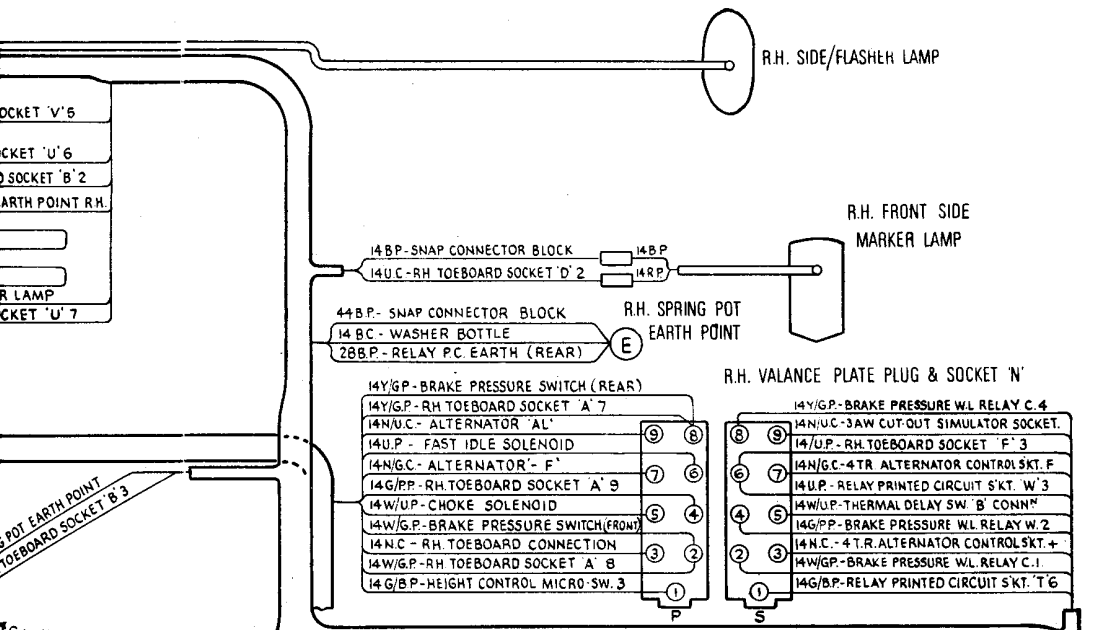
14 B.P. - WIPER MOTOR EARTH
 14 G/Y.P. - RELAY PC SOCKET 'T' 1

14 W.P. - PETROL PUMP - RH. SIDE
 14 W.P. - CONDENSER

PETROL PUMPS

CONDEN





PRACTICAL WIRING DIAGRAM

SHEET 2 BULKHEAD TOE-BOARD AND INSTRUMENT PANEL LOOMS

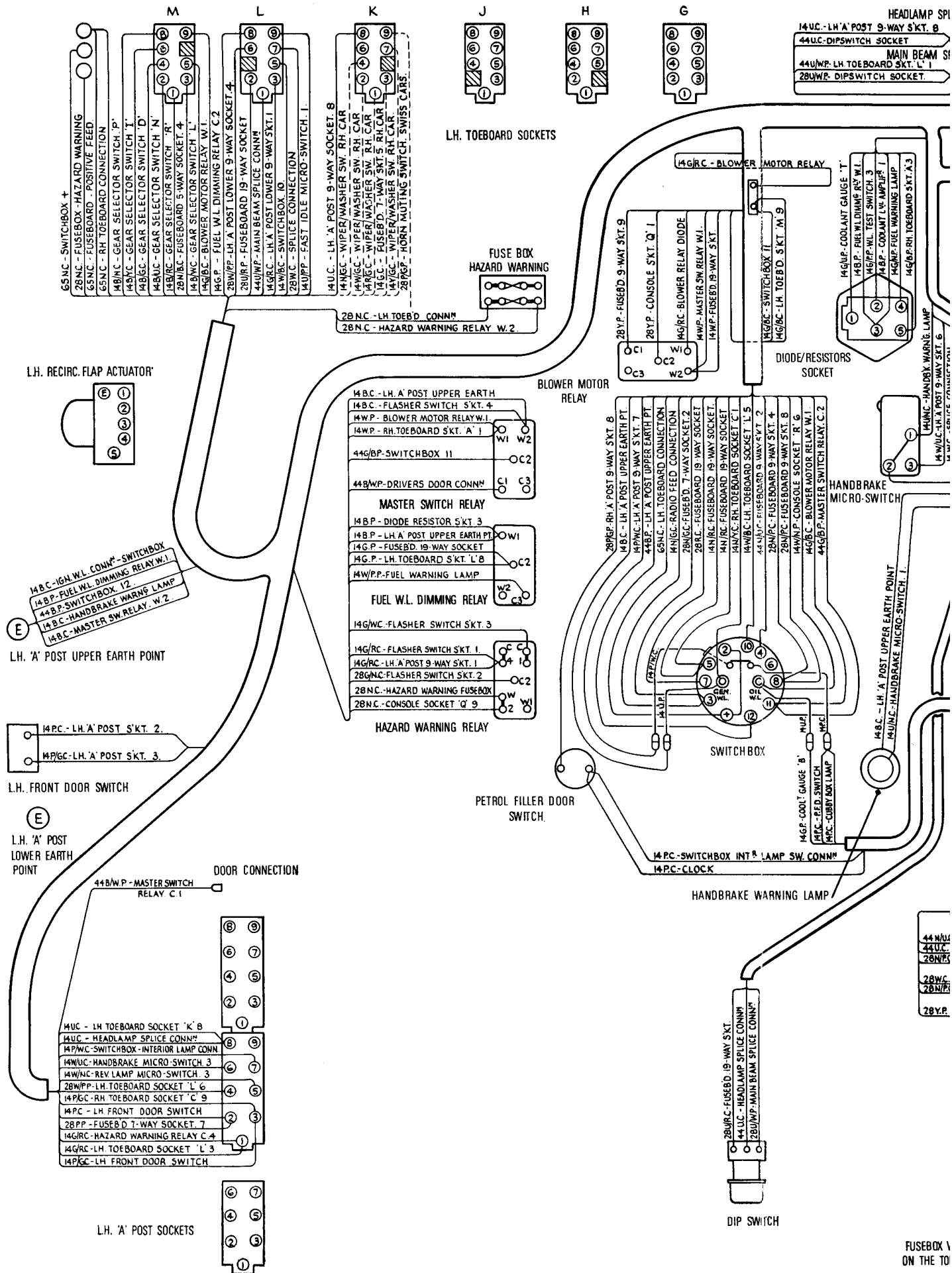
ROLLS-ROYCE SILVER SHADOW AND BENTLEY T SERIES LEFT-HAND DRIVE CARS

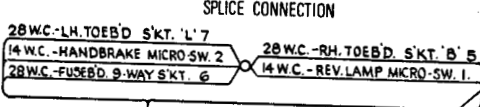
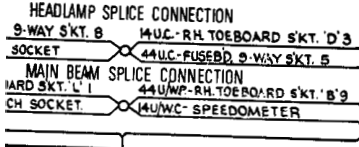
(Car Serial Numbers 6000-9000)

TSD Publication 2463

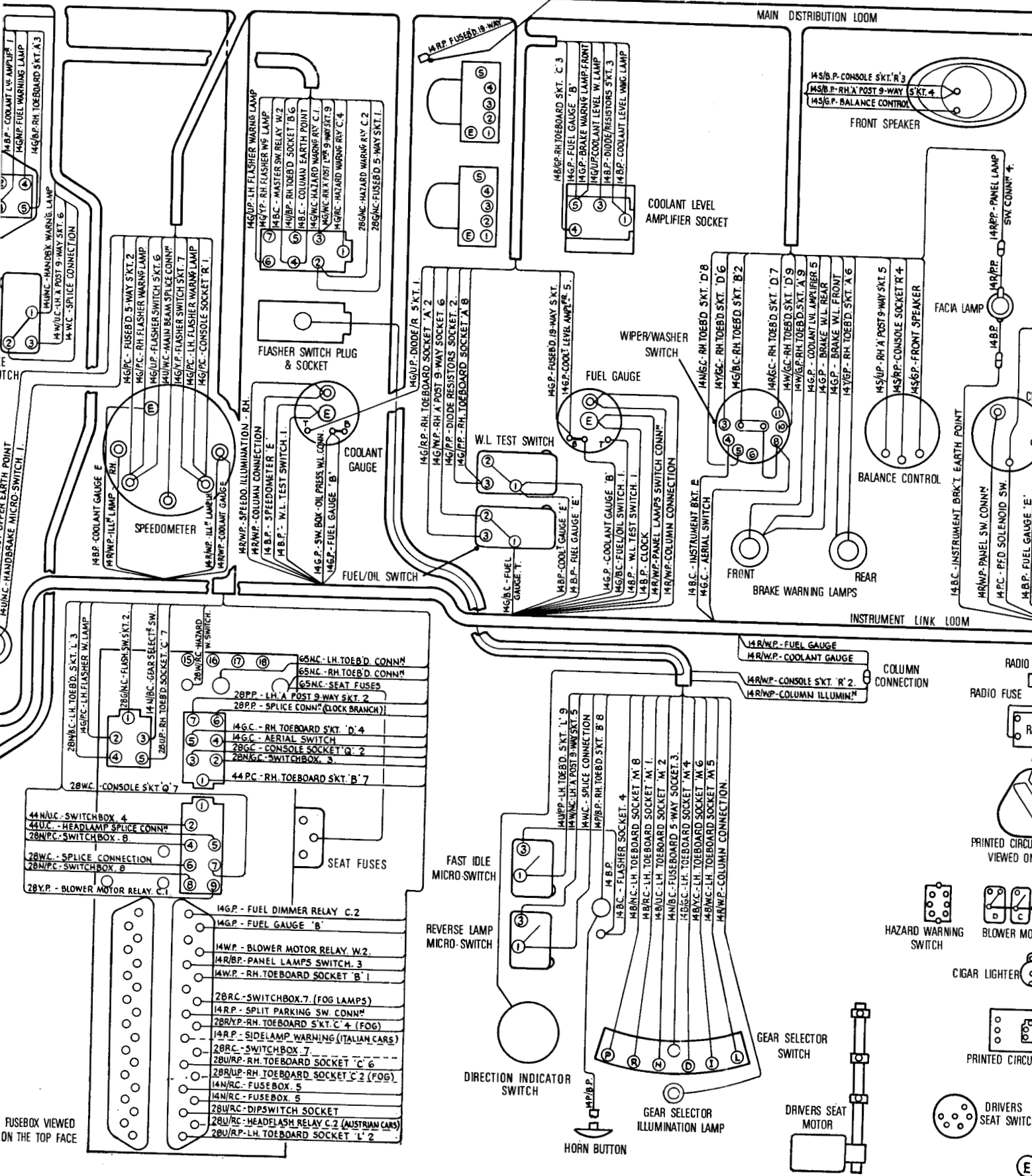
© Rolls-Royce Limited (1968)

Rolls-Royce policy is one of continuous engineering improvement and the right is reserved to revise the contents of this publication without prior notice

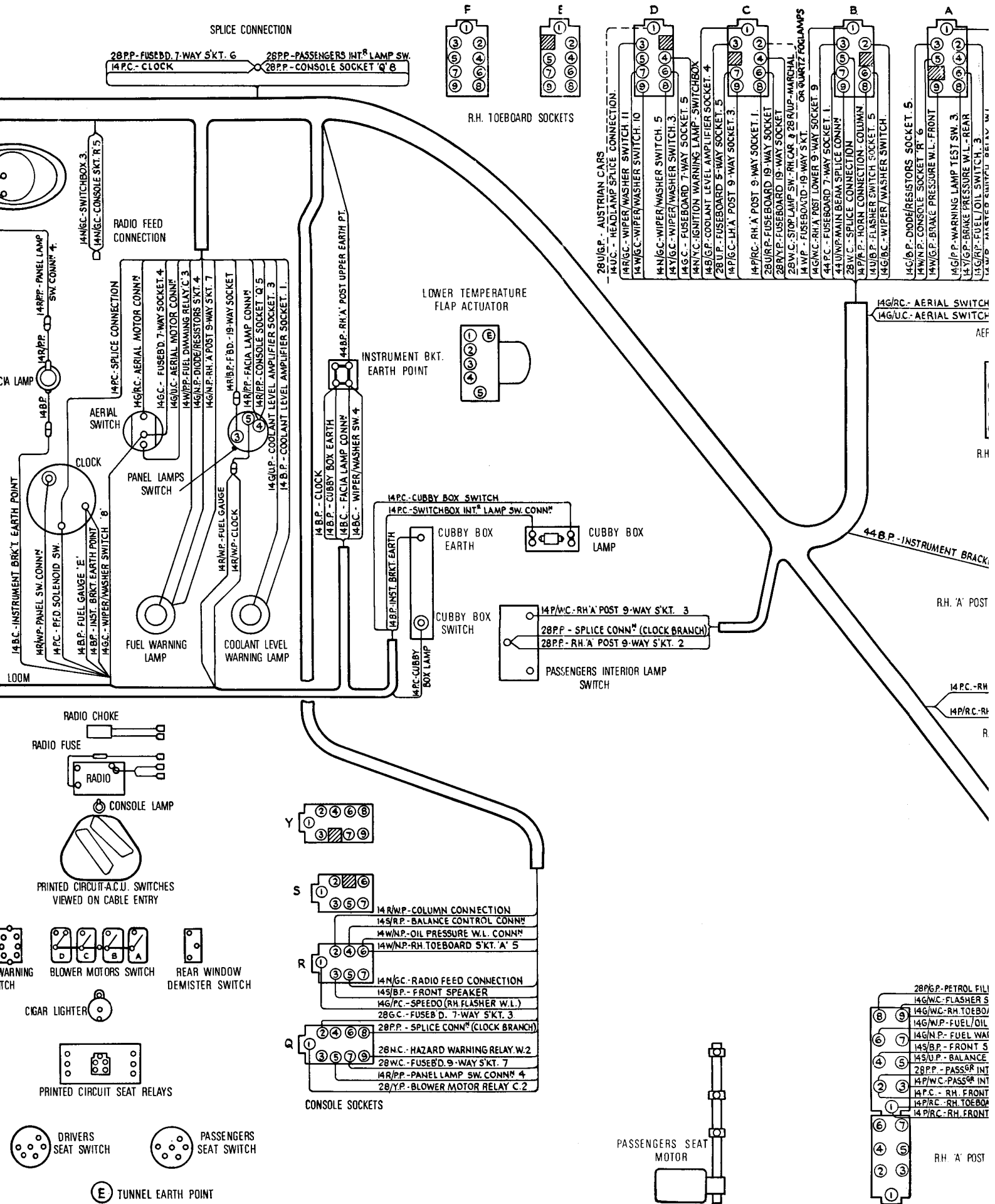




SPLIT PARKING LAMP SWITCH CONNECTION (SEE SHEET 2 FOR LINK CONN.)

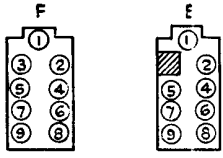


FUSEBOX VIEWED ON THE TOP FACE

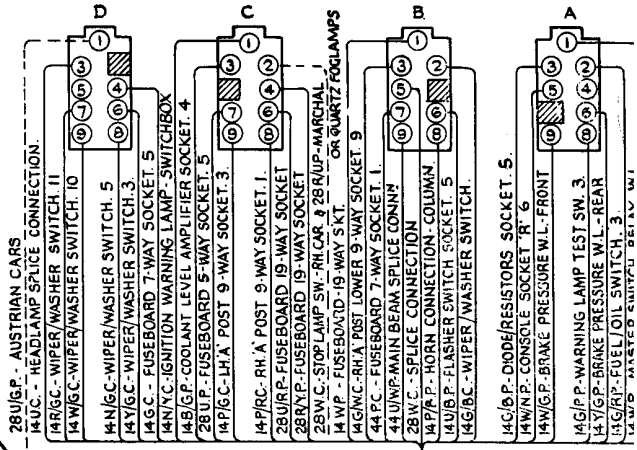


28PP-FUSEBD. 7-WAY S'KT. 6
14PC-CLOCK

28PP-PASSENGERS INT. LAMP SW.
28PP-CONSOLE SOCKET Q 8



R.H. TOEBOARD SOCKETS



28U/G.P. - AUSTRIAN CARS
14U.C. - HEADLAMP SPlice CONNECTION

14N/C-SWITCHBOX 3
14N/C-CONSOLE S'KT. R 5

RADIO FEED CONNECTION

14PC-SPlice CONNECTION

AERIAL SWITCH

CLOCK

FUEL WARNING LAMP

COOLANT LEVEL WARNING LAMP

LOWER TEMPERATURE FLAP ACTUATOR

INSTRUMENT BKT. EARTH POINT

14B.P. - CLOCK

14B.P. - CUBBY BOX EARTH

14B.C. - FACIA LAMP CONN

14B.C. - WIPER/WASHER SW 4

14PC-CUBBY BOX SWITCH

14PC-SWITCHBOX INT. LAMP SW. CONN

CUBBY BOX EARTH

CUBBY BOX SWITCH

14P/W.C. - RH 'A' POST 9-WAY S'KT. 3

28PP - SPlice CONN (CLOCK BRANCH)

28PP - RH 'A' POST 9-WAY S'KT. 2

PASSENGERS INTERIOR LAMP SWITCH

14G/R.C. - AERIAL SWITCH

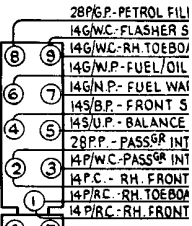
14G/U.C. - AERIAL SWITCH

44B.P. - INSTRUMENT BRACK

R.H. 'A' POST

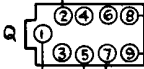
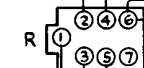
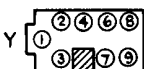
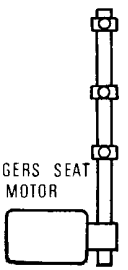
14PC - RH

14P/R.C. - RH



R.H. 'A' POST

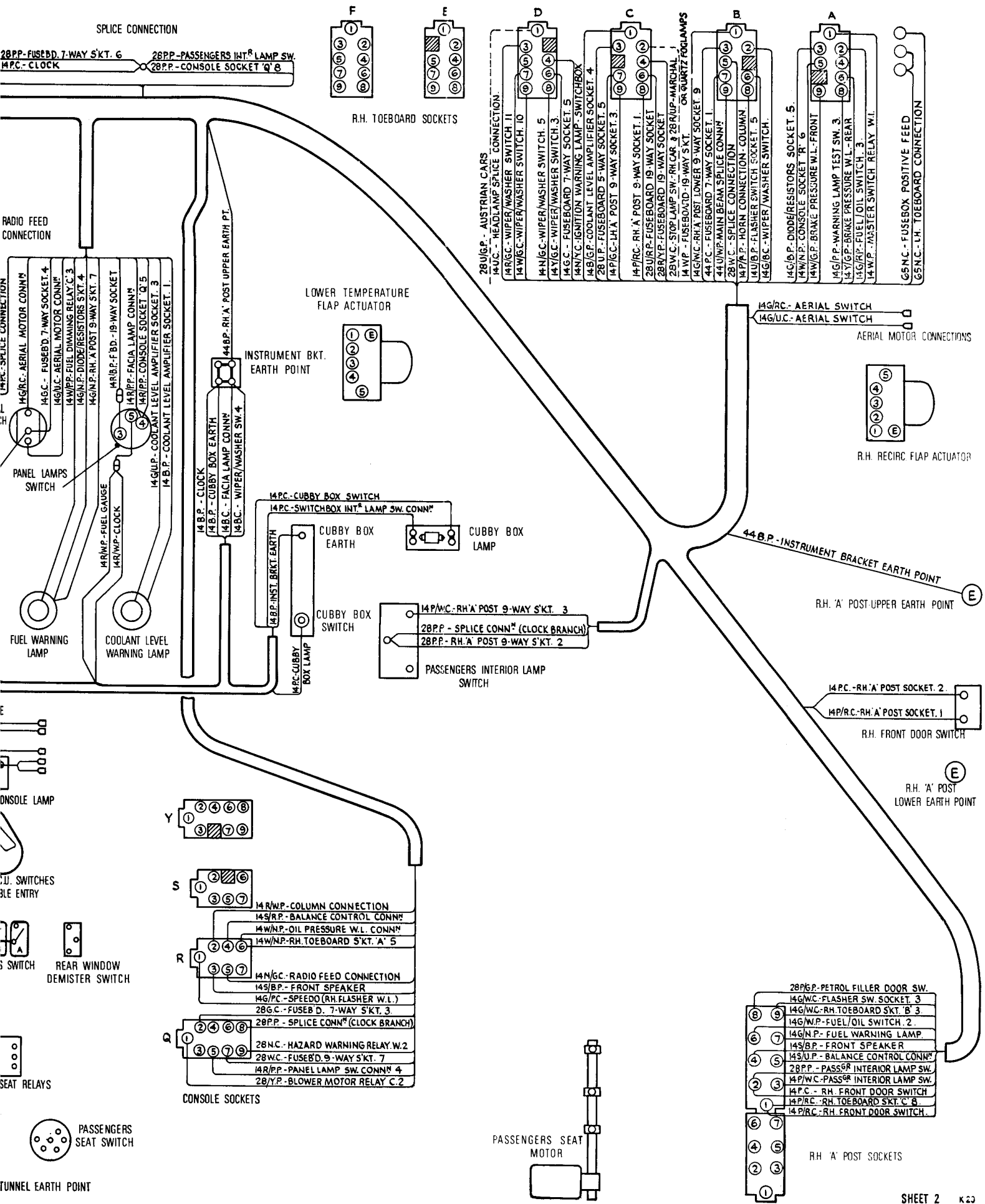
PASSENGERS SEAT MOTOR



CONSOLE SOCKETS

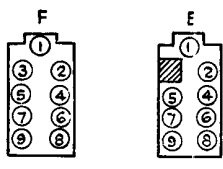
- 14R/W.P. - COLUMN CONNECTION
- 14S/R.P. - BALANCE CONTROL CONN
- 14W/M.P. - OIL PRESSURE W.L. CONN
- 14W/N.P. - RH TOEBOARD S'KT. 'A' 5
- 14N/G.C. - RADIO FEED CONNECTION
- 14S/B.P. - FRONT SPEAKER
- 14G/P.C. - SPEEDO (RH FLASHER W.L.)
- 28G.C. - FUSEBD. 7-WAY S'KT. 3
- 28PP - SPlice CONN (CLOCK BRANCH)
- 28N.C. - HAZARD WARNING RELAY W.2
- 28W.C. - FUSEBD. 9-WAY S'KT. 7
- 14R/P.P. - PANEL LAMP SW. CONN 4
- 28/Y.P. - BLOWER MOTOR RELAY C.2

(E) TUNNEL EARTH POINT

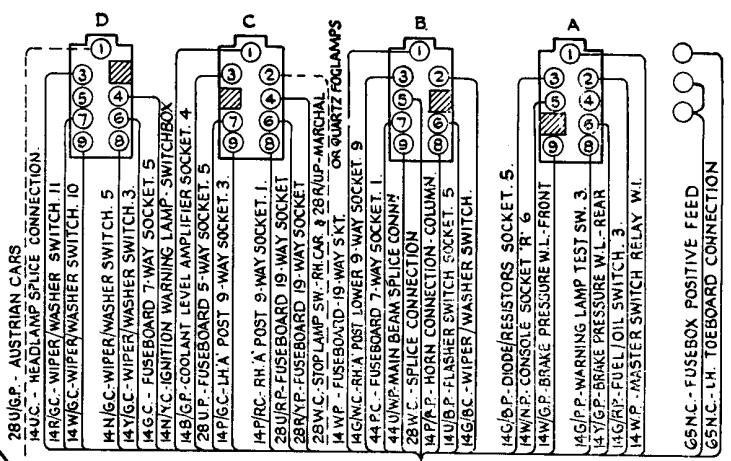


SPLICE CONNECTION

28PP-FUSEBD 7-WAY S'KT. 6
14PC-CLOCK
28PP-PASSENGERS INT. LAMP SW.
28P.P.-CONSOLE SOCKET 'Q' 8

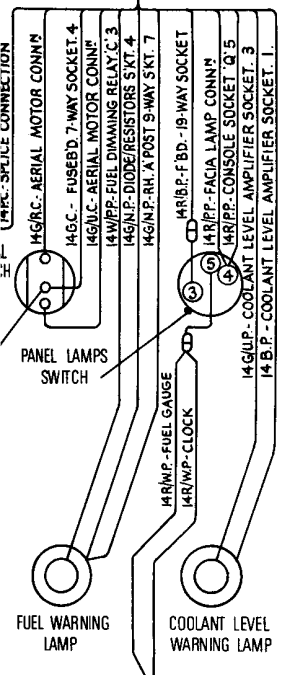


R.H. TOEBOARD SOCKETS

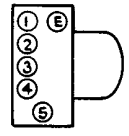


28U/SP - AUSTRIAN CARS
14U/C - HEADLAMP SPLICE CONNECTION
14W/GC - WIPER/WASHER SWITCH 10
14W/GC - WIPER/WASHER SWITCH 10
14N/GC - WIPER/WASHER SWITCH 5
14Y/GC - WIPER/WASHER SWITCH 3
14Y/GC - FUSEBOARD 7-WAY SOCKET 5
14N/YC - IGNITION WARNING LAMP - SWITCHBOX
28U/P - FUSEBOARD 5-WAY SOCKET 5
14P/GC - LH 'A' POST 9-WAY SOCKET 3
14P/RC - RH 'A' POST 9-WAY SOCKET 1
28U/RP - FUSEBOARD 19-WAY SOCKET
28U/YP - FUSEBOARD 19-WAY SOCKET
28W/C - STOP LAMP SW - RH CAR & 28U/UP - MARCHAL
14W/P - FUSEBOARD 19-WAY S'KT. OR QUARTZ FOG LAMPS
14G/WC - RH 'A' POST LOWER 9-WAY SOCKET 9
44P/C - FUSEBOARD 7-WAY SOCKET 1
28W/C - SPLICE CONNECTION
147/A/P - HORN CONNECTION - COLUMN
14U/B/P - FLASHER SWITCH SOCKET 5
14G/SC - WIPER/WASHER SWITCH
14C/D/P - DIODE/RESISTORS SOCKET 5
14W/N/P - CONSOLE SOCKET 'R' 6
14W/GP - BRAKE PRESSURE W.L. - FRONT
14S/P/P - WARNING LAMP TEST SW. 3
14Y/GP - BRAKE PRESSURE W.L. - REAR
14G/P/P - FUEL/OIL SWITCH 3
14W/P - MASTER SWITCH RELAY W.L.
65N/C - FUSEBOX POSITIVE FEED
65N/C - LH TOEBOARD CONNECTION

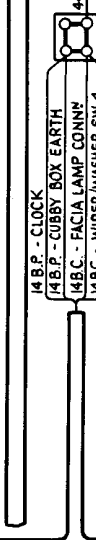
RADIO FEED CONNECTION



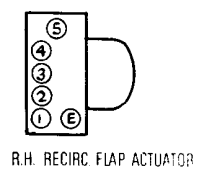
LOWER TEMPERATURE FLAP ACTUATOR



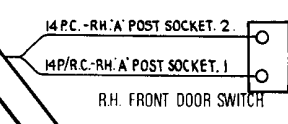
INSTRUMENT BKT. EARTH POINT



14G/RC - AERIAL SWITCH
14G/UC - AERIAL SWITCH

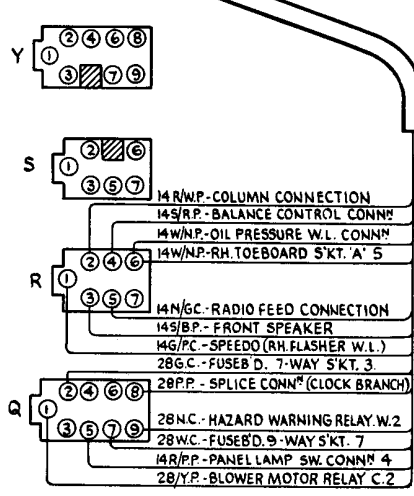


44B.P. - INSTRUMENT BRACKET EARTH POINT
R.H. 'A' POST UPPER EARTH POINT

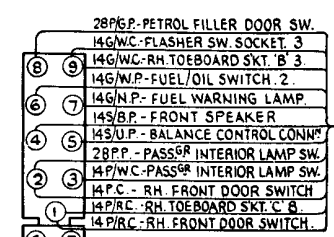


R.H. 'A' POST LOWER EARTH POINT

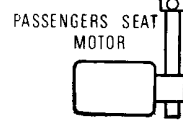
CONSOLE LAMP



CONSOLE SOCKETS



R.H. 'A' POST SOCKETS



PASSENGERS SEAT MOTOR

SEAT RELAYS



PASSENGERS SEAT SWITCH

TUNNEL EARTH POINT

PRACTICAL WIRING DIAGRAM

SHEET 3

**CENTRE CONSOLE AND ELECTRICALLY
OPERATED SEAT LOOMS**

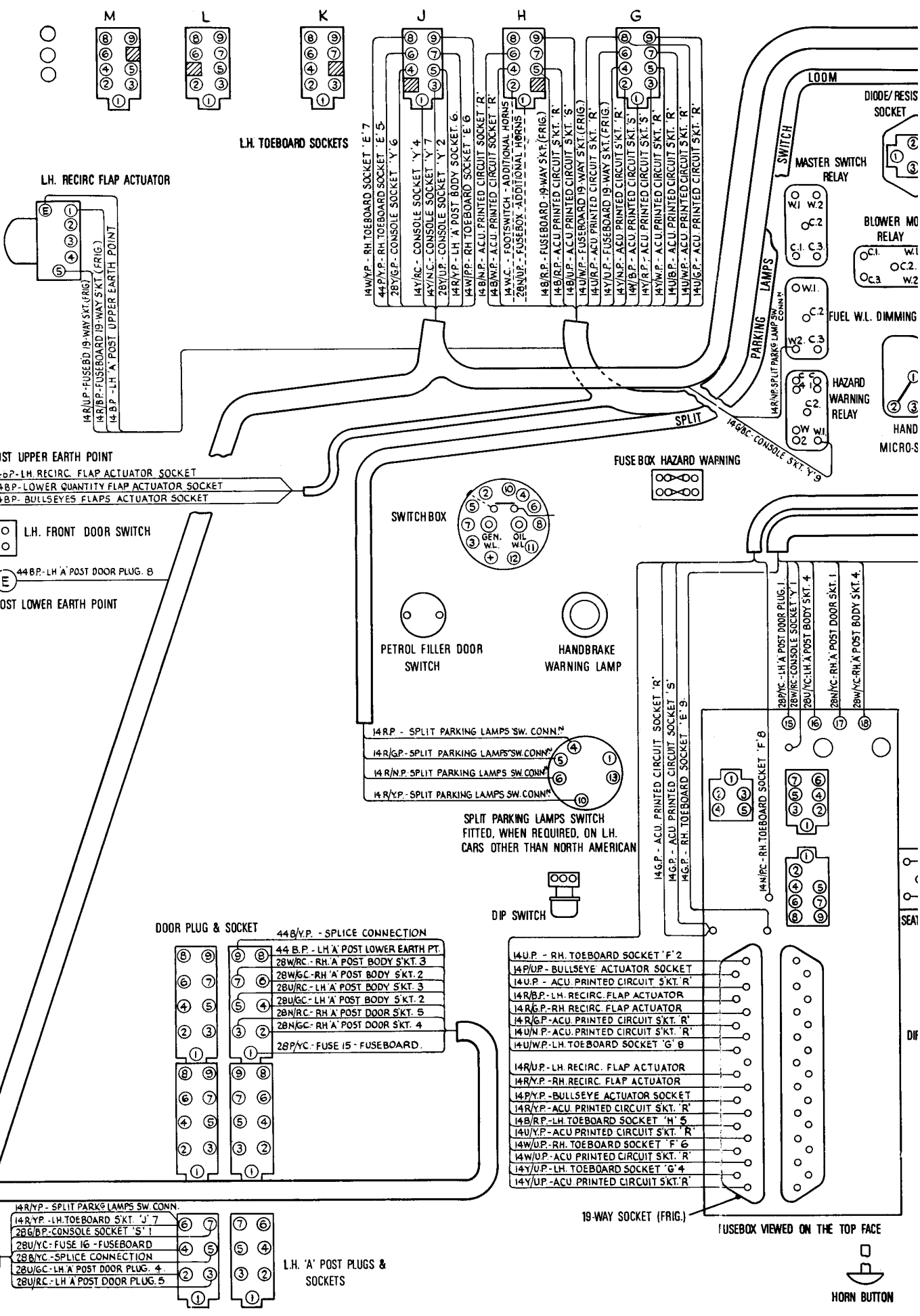
**ROLLS-ROYCE SILVER SHADOW
AND
BENTLEY T SERIES
LEFT-HAND DRIVE CARS**

(Car Serial Numbers 6000-9000)

TSD Publication 2463

© Rolls-Royce Limited (1968)

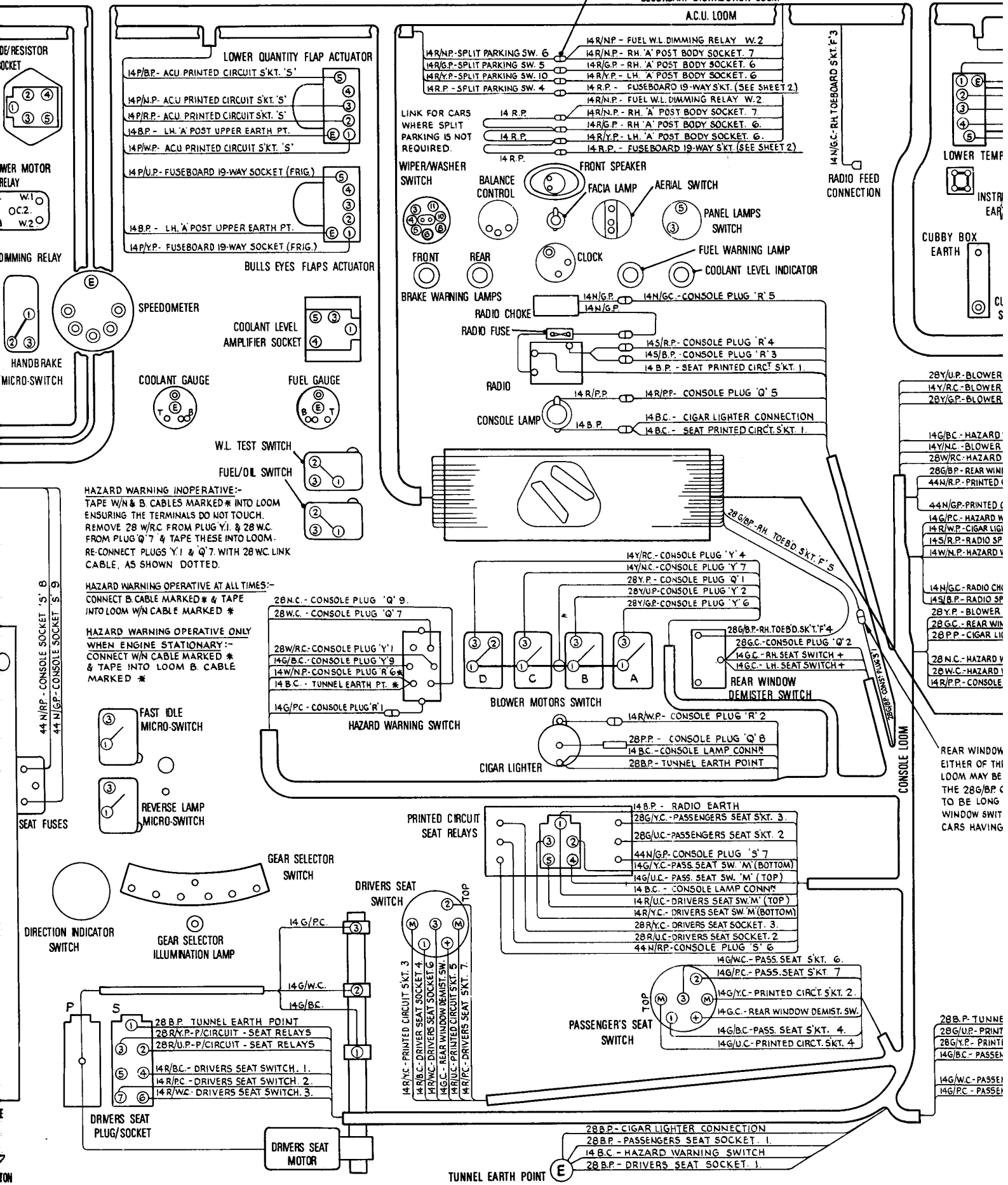
Rolls-Royce policy is one of continuous engineering improvement and the right is reserved to revise the contents of this publication without prior notice

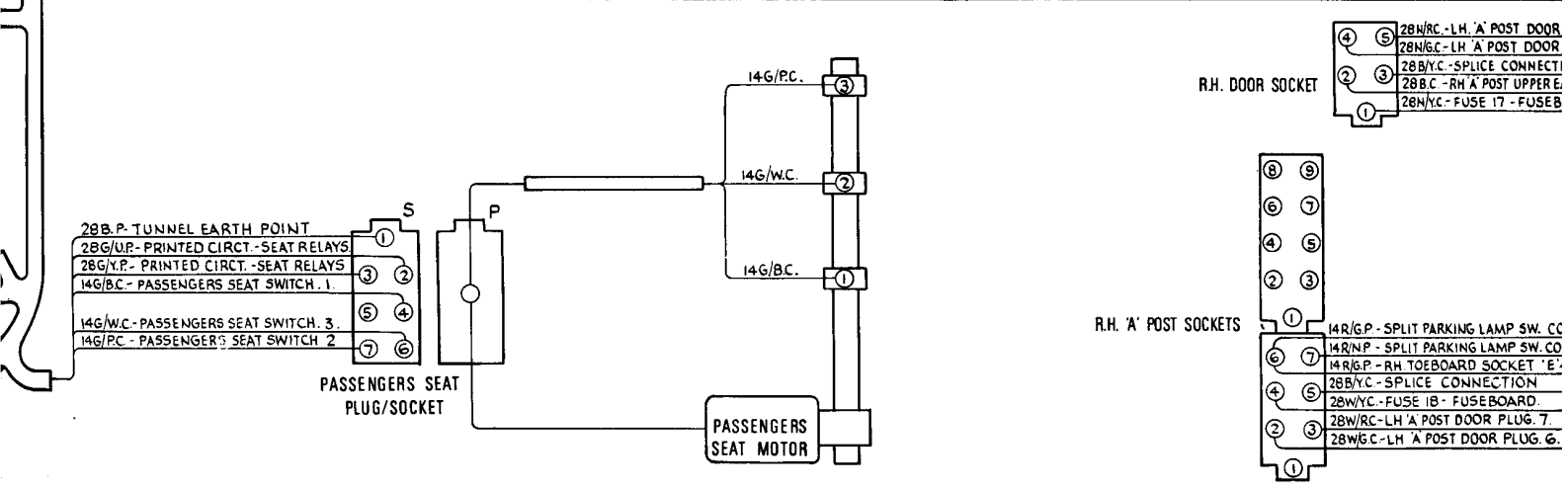
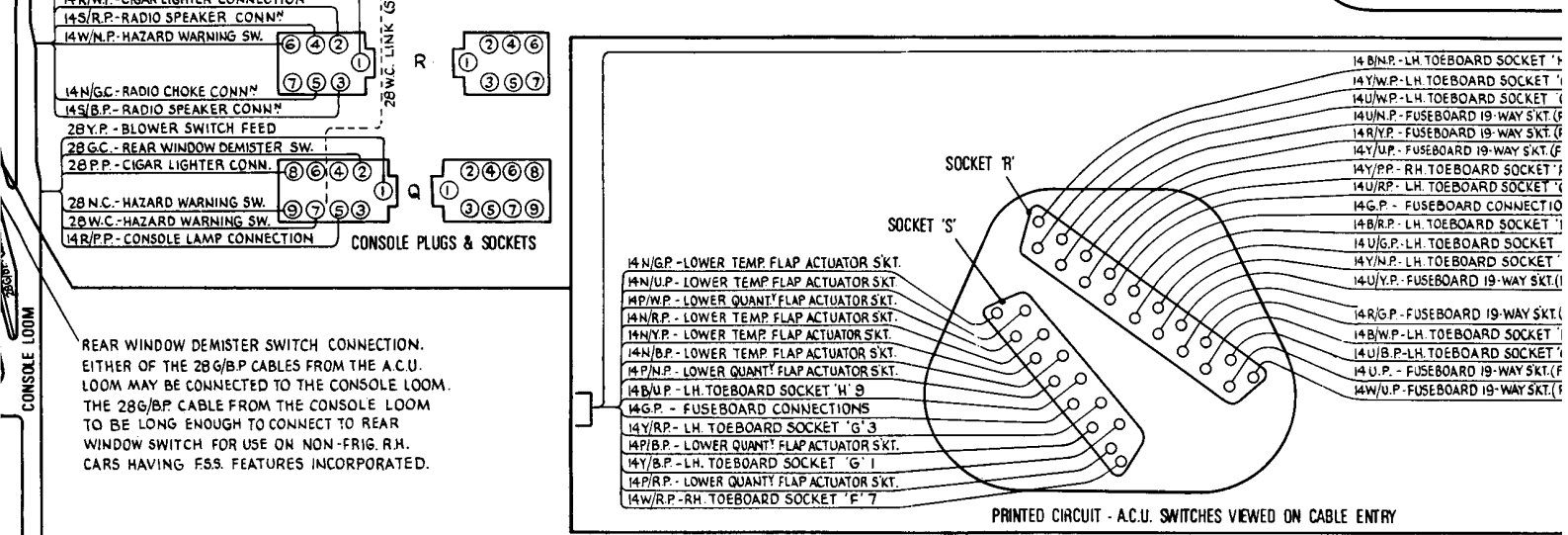
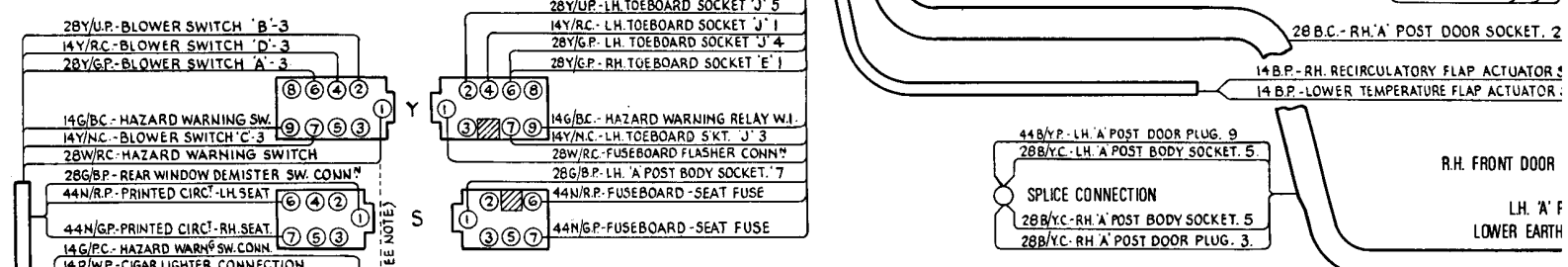
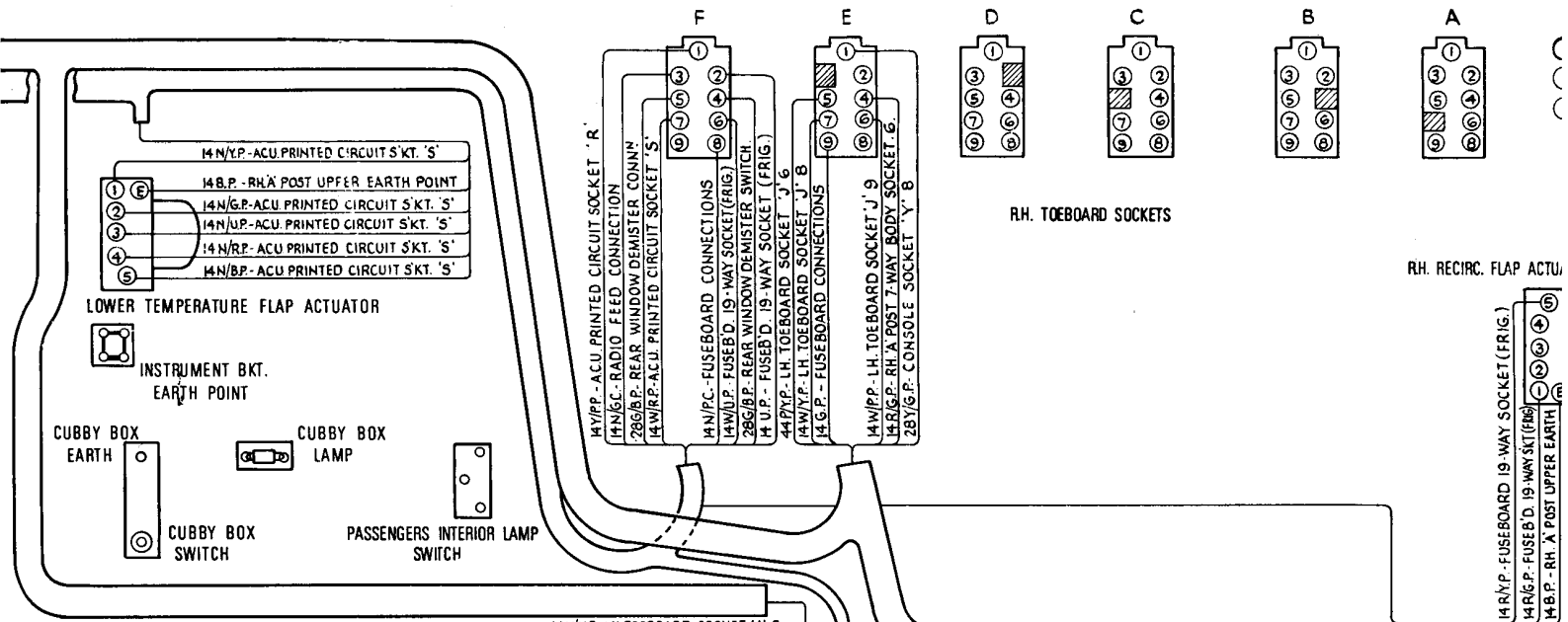


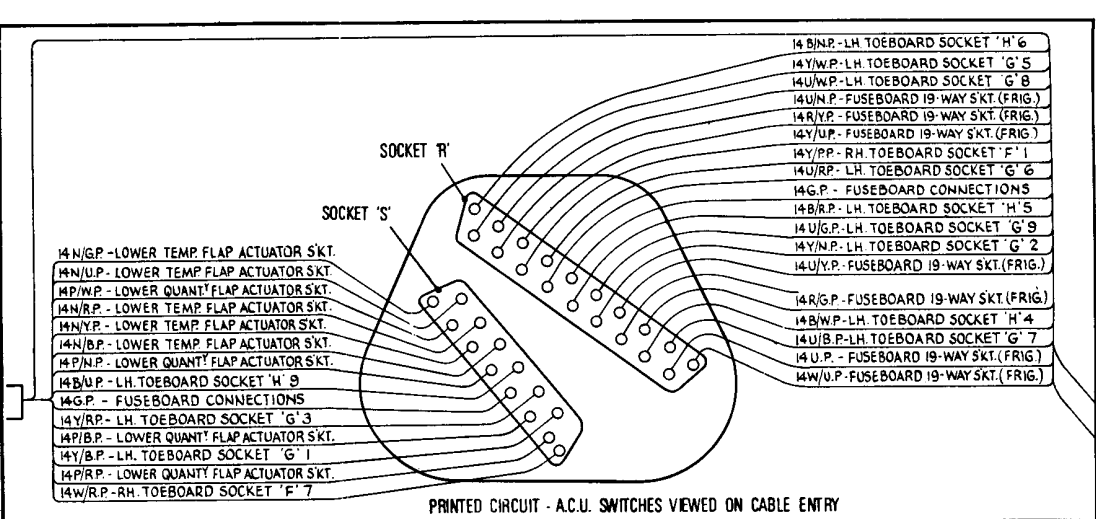
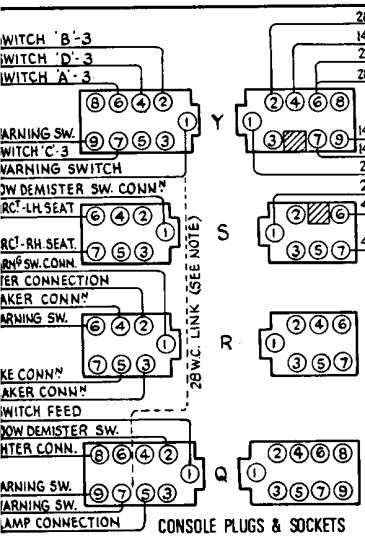
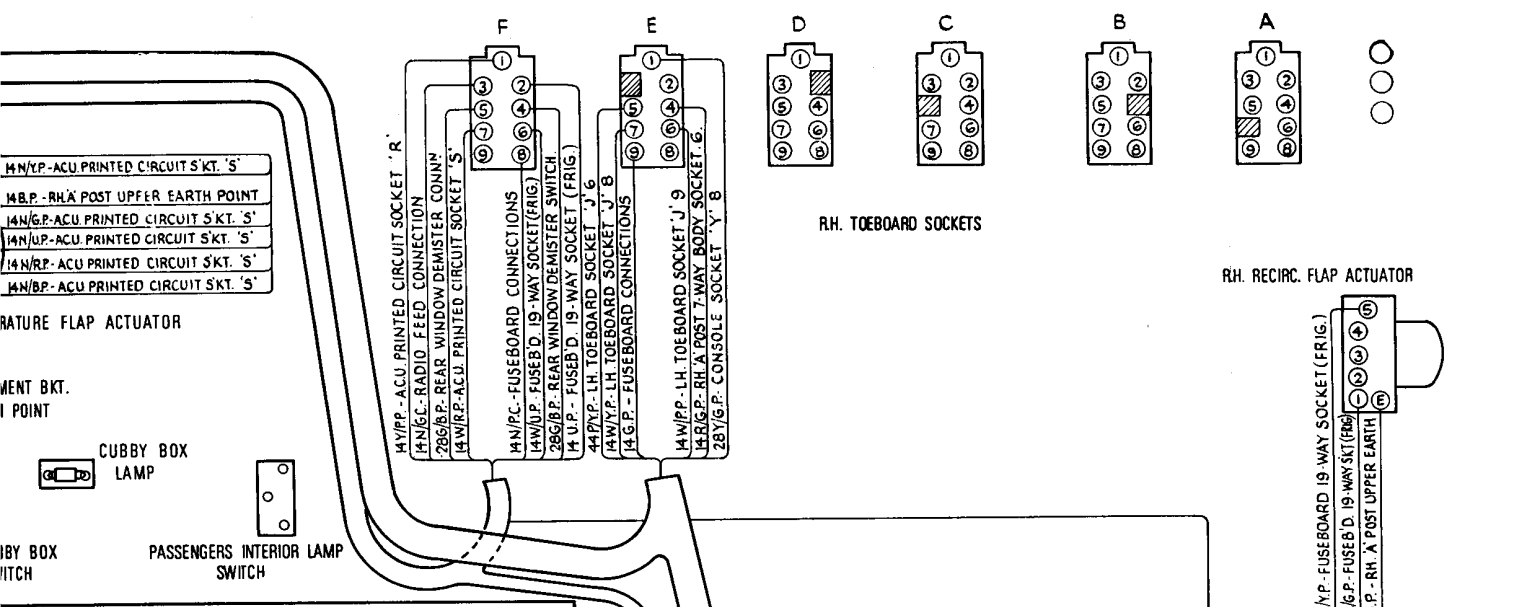
SPLIT PARKING LAMPS SWITCH CONNECTION

SECONDARY DISTRIBUTION LOOM

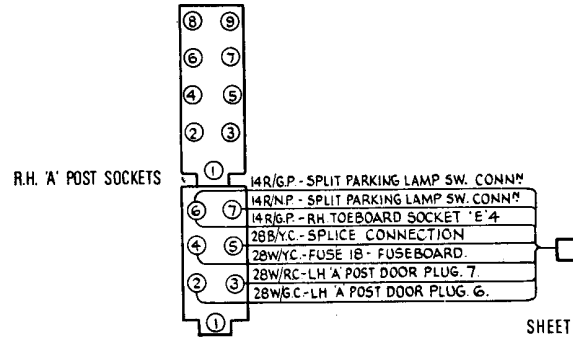
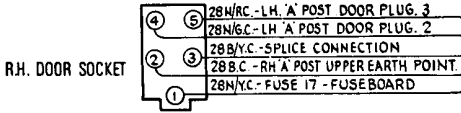
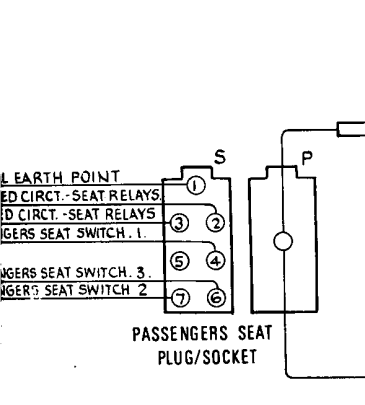
A.C.U. LOOM







DEMISTER SWITCH CONNECTION.
 28G/B/P CABLES FROM THE A.C.U.
 CONNECTED TO THE CONSOLE LOOM.
 CABLE FROM THE CONSOLE LOOM
 ENOUGH TO CONNECT TO REAR
 CH FOR USE ON NON-FRIG. R.H.
 F.S.S. FEATURES INCORPORATED.



PRACTICAL WIRING DIAGRAM

SHEET 4
ELECTRICALLY OPERATED WINDOWS,
LUGGAGE COMPARTMENT AND
SIDE AND REAR EXTERIOR LIGHTING LOOMS

ROLLS-ROYCE SILVER SHADOW
AND

BENTLEY T SERIES
LEFT-HAND DRIVE CARS

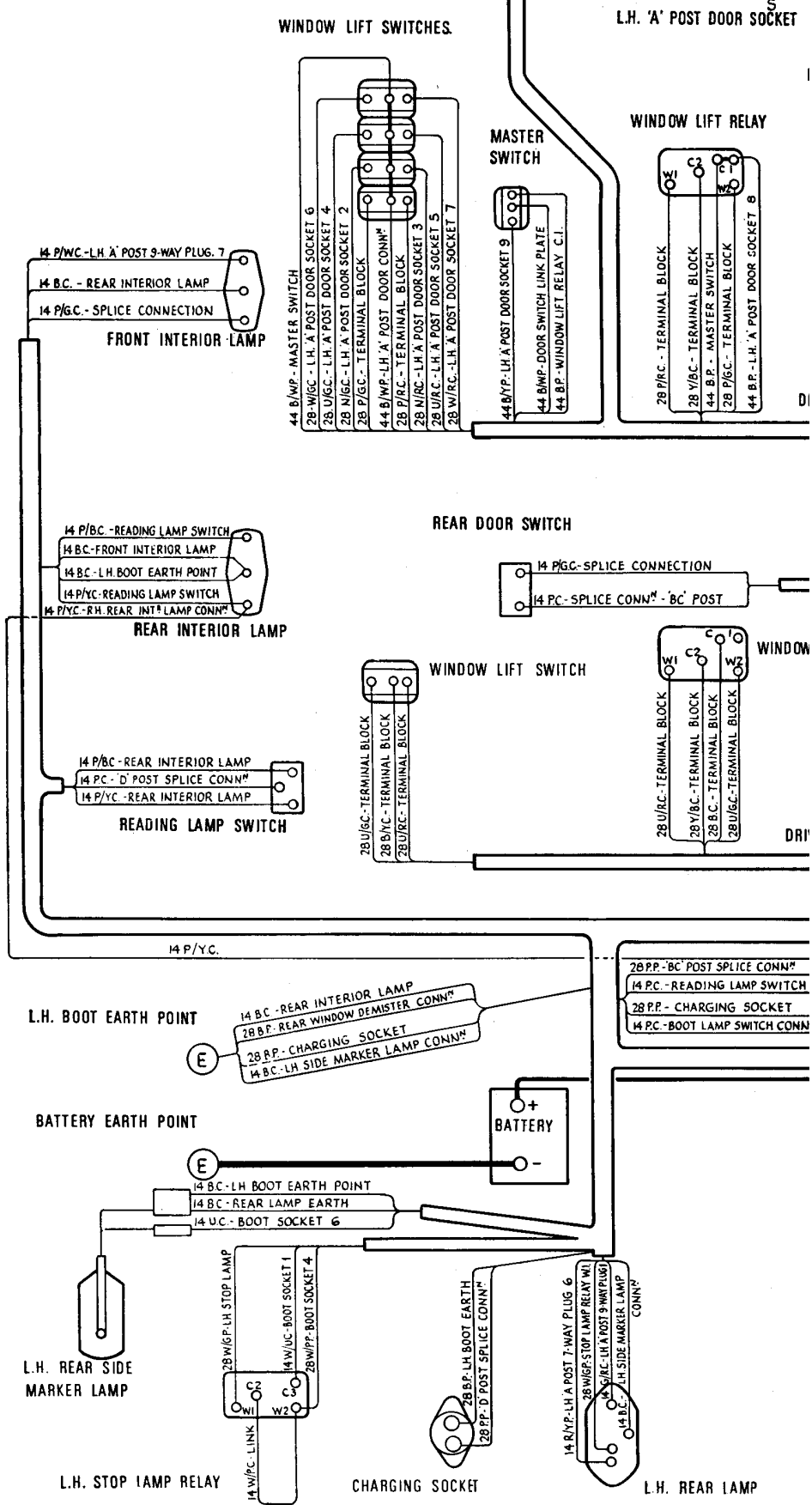
(Car Serial Numbers 6000-9000)

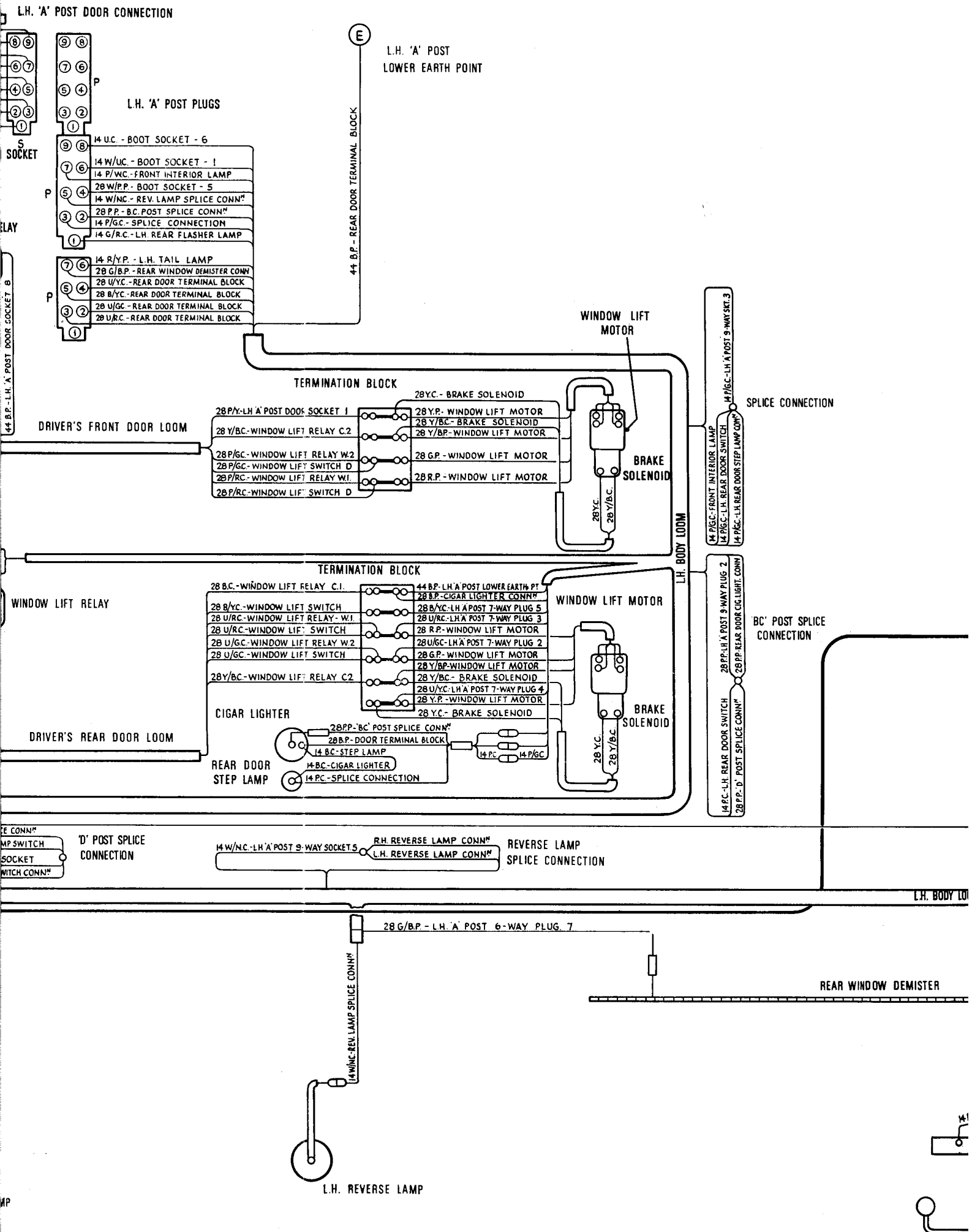
TSD Publication 2463

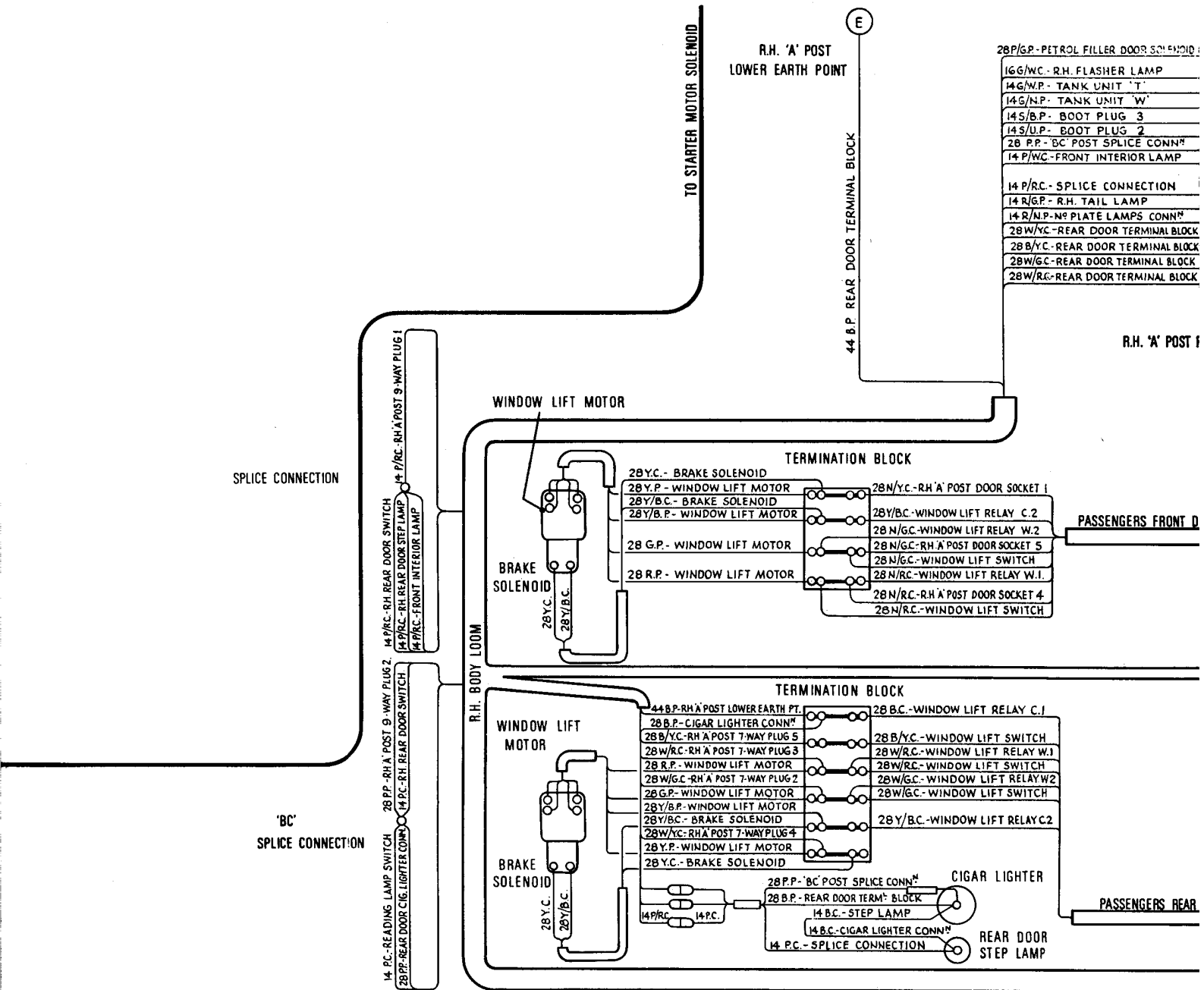
© Rolls-Royce Limited (1968)

Rolls-Royce policy is one of continuous engineering improvement and the right is reserved to revise the contents of this publication without prior notice

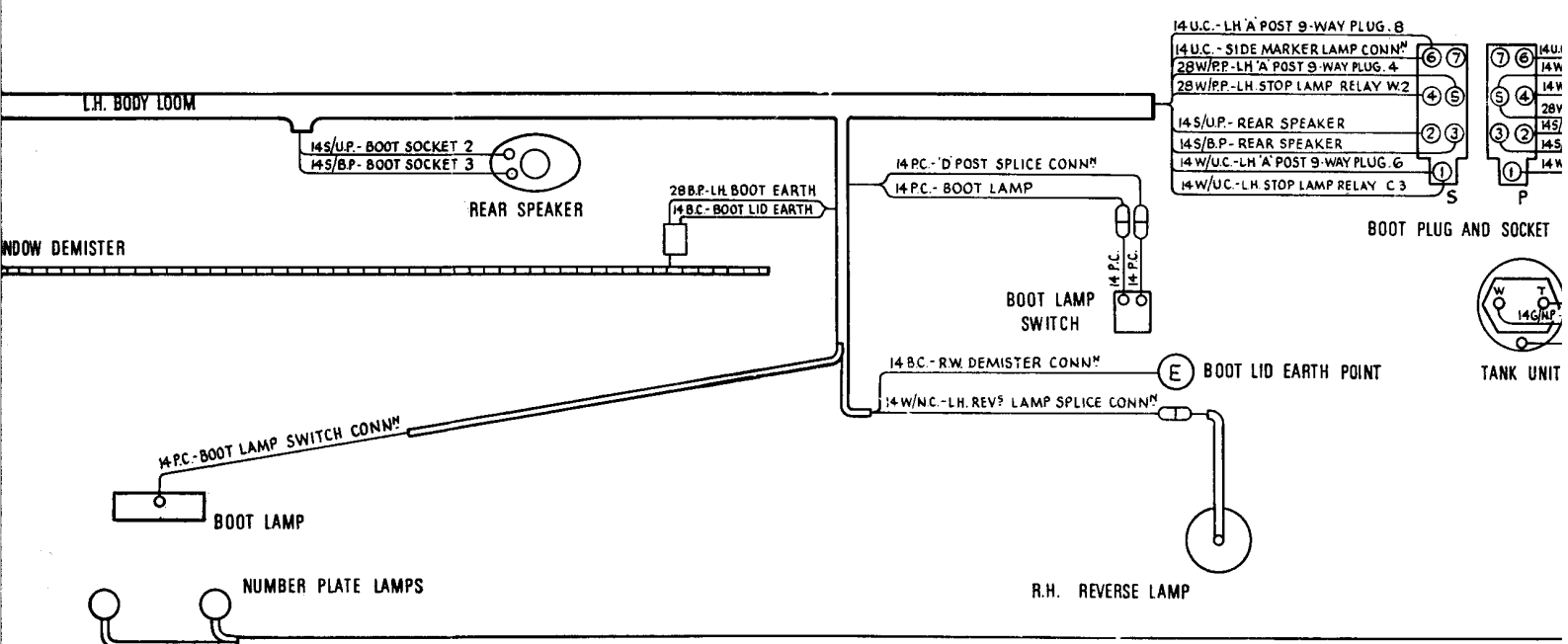
- 44 B/WP-DOOR SWITCH LINK PLATE L.H. 'A'
- | | | |
|------------------------------------|---|---|
| 44 B/Y/P - MASTER SWITCH | 8 | 9 |
| 44 B/P - WINDOW LIFT RELAY - C I | 6 | 7 |
| 28 W/R.C. - WINDOW LIFT SWITCH - A | 4 | 5 |
| 28 W/G.C. - WINDOW LIFT SWITCH - A | 2 | 3 |
| 28 U/R.C. - WINDOW LIFT SWITCH - B | 1 | |
| 28 U/G.C. - WINDOW LIFT SWITCH - B | | |
| 28 N/R.C. - WINDOW LIFT SWITCH - C | | |
| 28 N/G.C. - WINDOW LIFT SWITCH - C | | |
| 28 P/Y.C. - TERMINAL BLOCK | | |

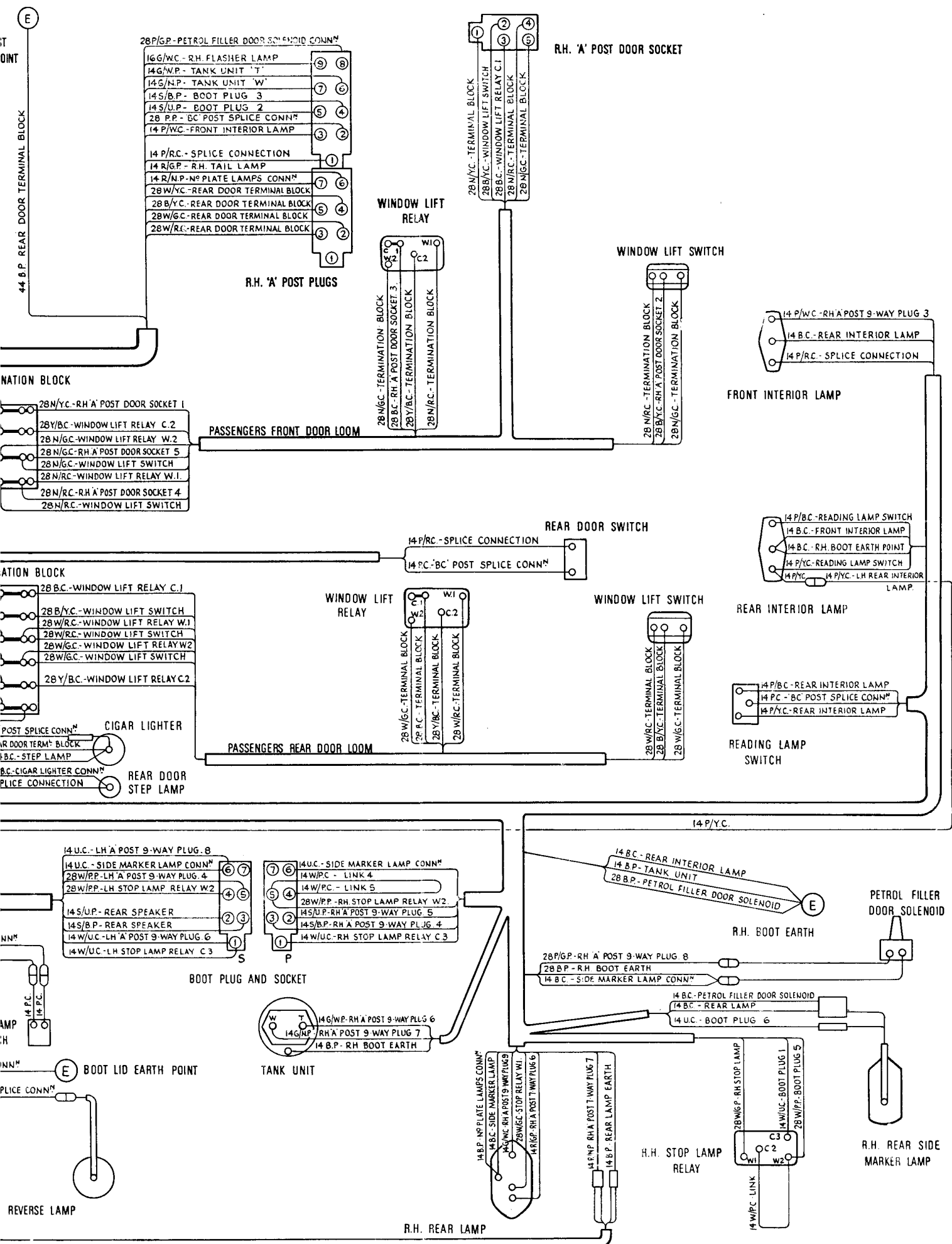






- 28 P/G.P. - PETROL FILLER DOOR SOLENOID
- 16 G/W.C. - R.H. FLASHER LAMP
- 14 G/W.P. - TANK UNIT 'T'
- 14 G/N.P. - TANK UNIT 'W'
- 14 S/B.P. - BOOT PLUG 3
- 14 S/U.P. - BOOT PLUG 2
- 28 P.P. - 'BC' POST SPICE CONN^M
- 14 P/W.C. - FRONT INTERIOR LAMP
- 14 P/R.C. - SPICE CONNECTION
- 14 R/G.P. - R.H. TAIL LAMP
- 14 R/N.P. - NO² PLATE LAMPS CONN^M
- 28 W/Y.C. - REAR DOOR TERMINAL BLOCK
- 28 B/Y.C. - REAR DOOR TERMINAL BLOCK
- 28 W/G.C. - REAR DOOR TERMINAL BLOCK
- 28 W/R.C. - REAR DOOR TERMINAL BLOCK





Section 6

LEFT-HAND DRIVE LONG WHEELBASE CARS WITH DIVISION, FROM SERIAL NUMBER 6598

APPLICATION	SHEET No
Theoretical	1
L.H. and R.H. Body Looms	2
Engine Looms	3
Main Distribution Looms	4

THEORETICAL WIRING DIAGRAM

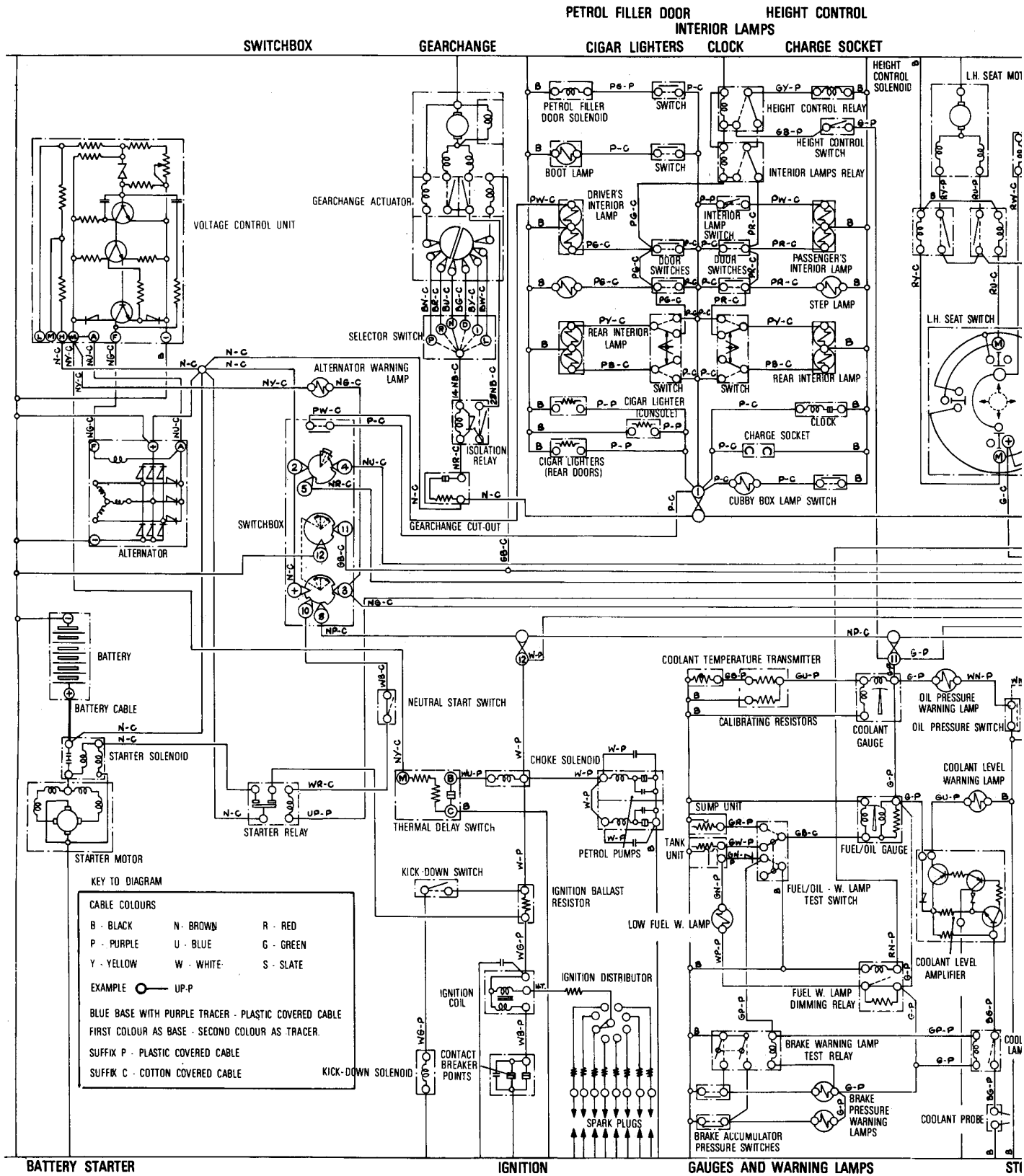
SHEET 1

ROLLS-ROYCE SILVER SHADOW
AND
BENTLEY T SERIES
LEFT-HAND DRIVE LONG WHEELBASE CARS
WITH DIVISION
AFTER CAR SERIAL NUMBER LRX 6598

TSD Publications 2554

© Rolls-Royce Limited 1969

Rolls-Royce policy is one of continuous engineering improvement and the right is reserved to revise the contents of this publication without prior notice.

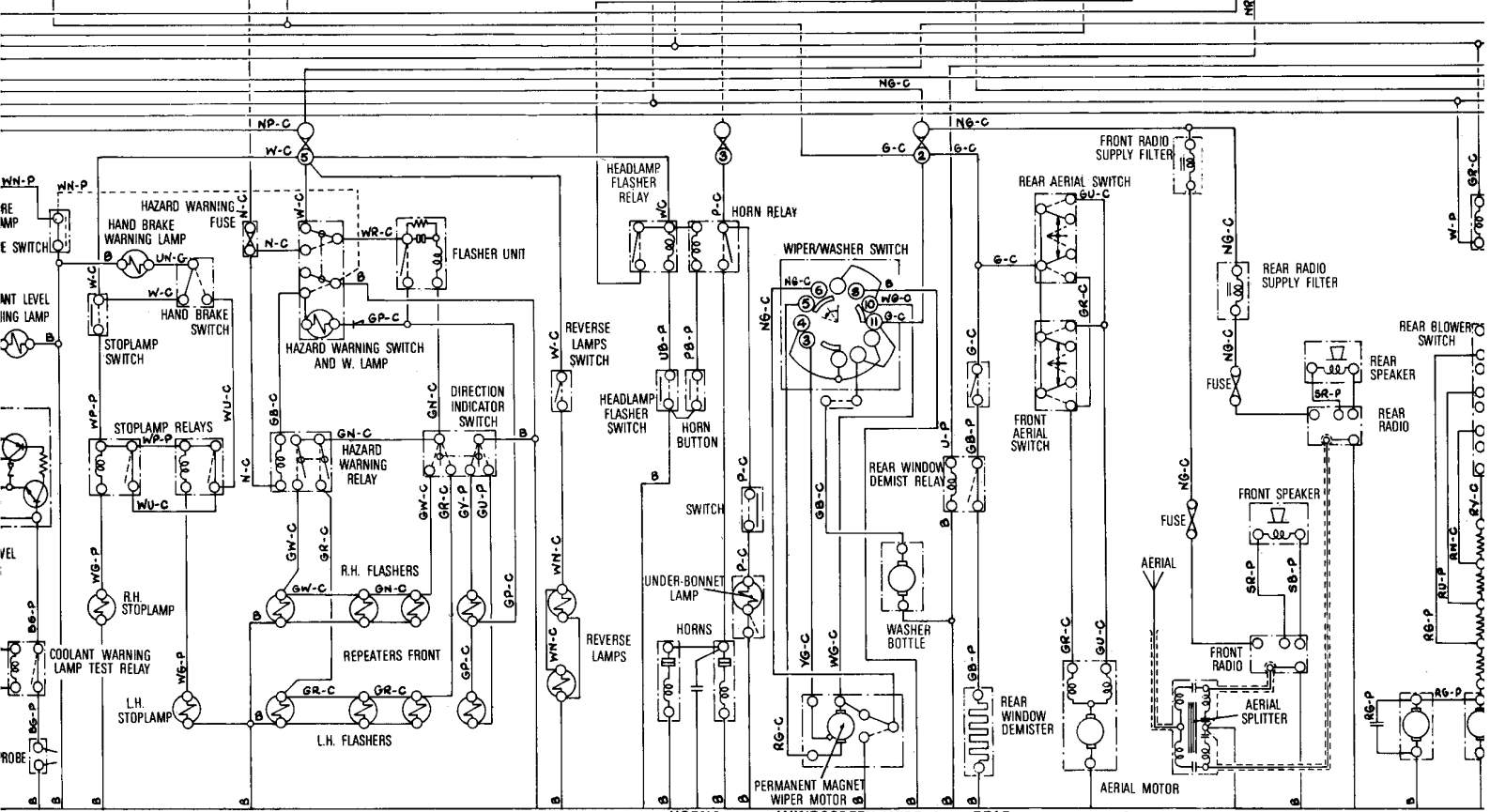
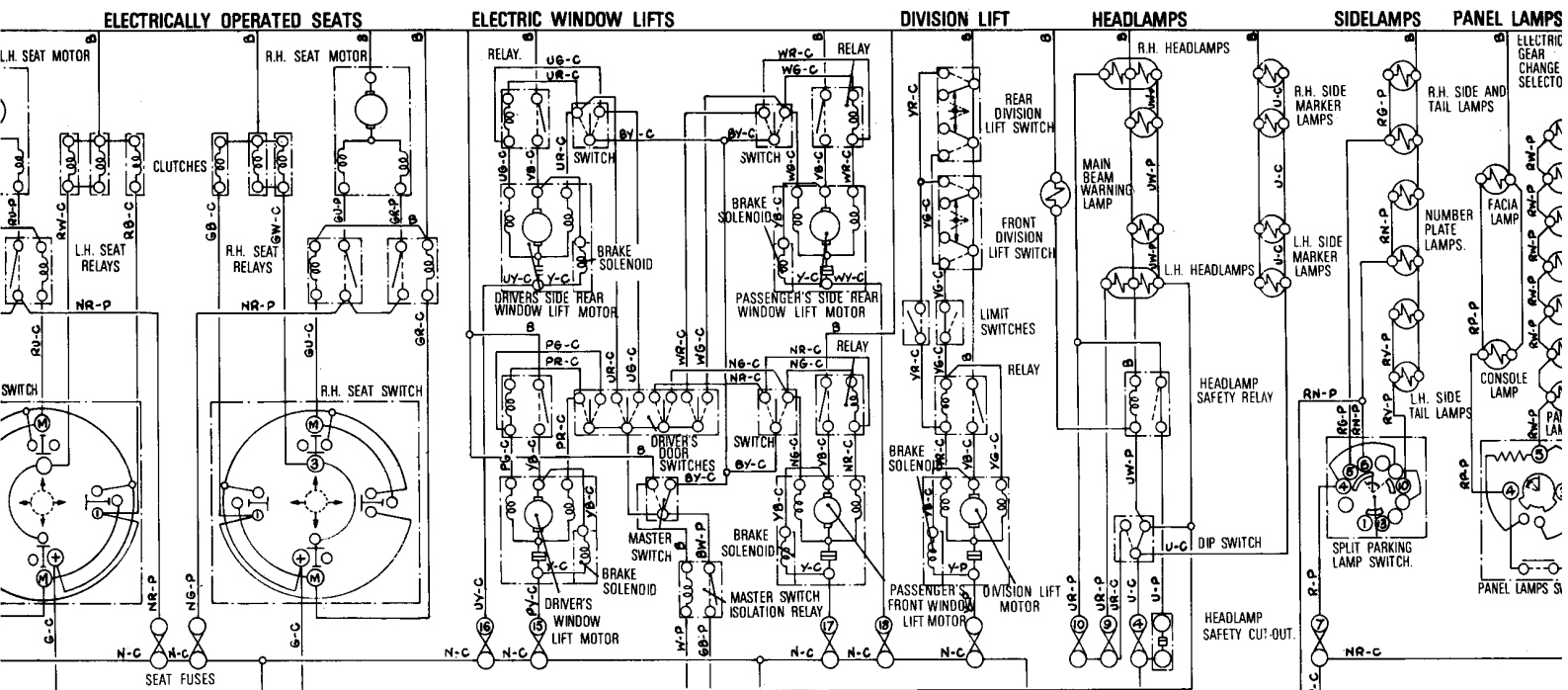


BATTERY STARTER

IGNITION

GAUGES AND WARNING LAMPS

STI



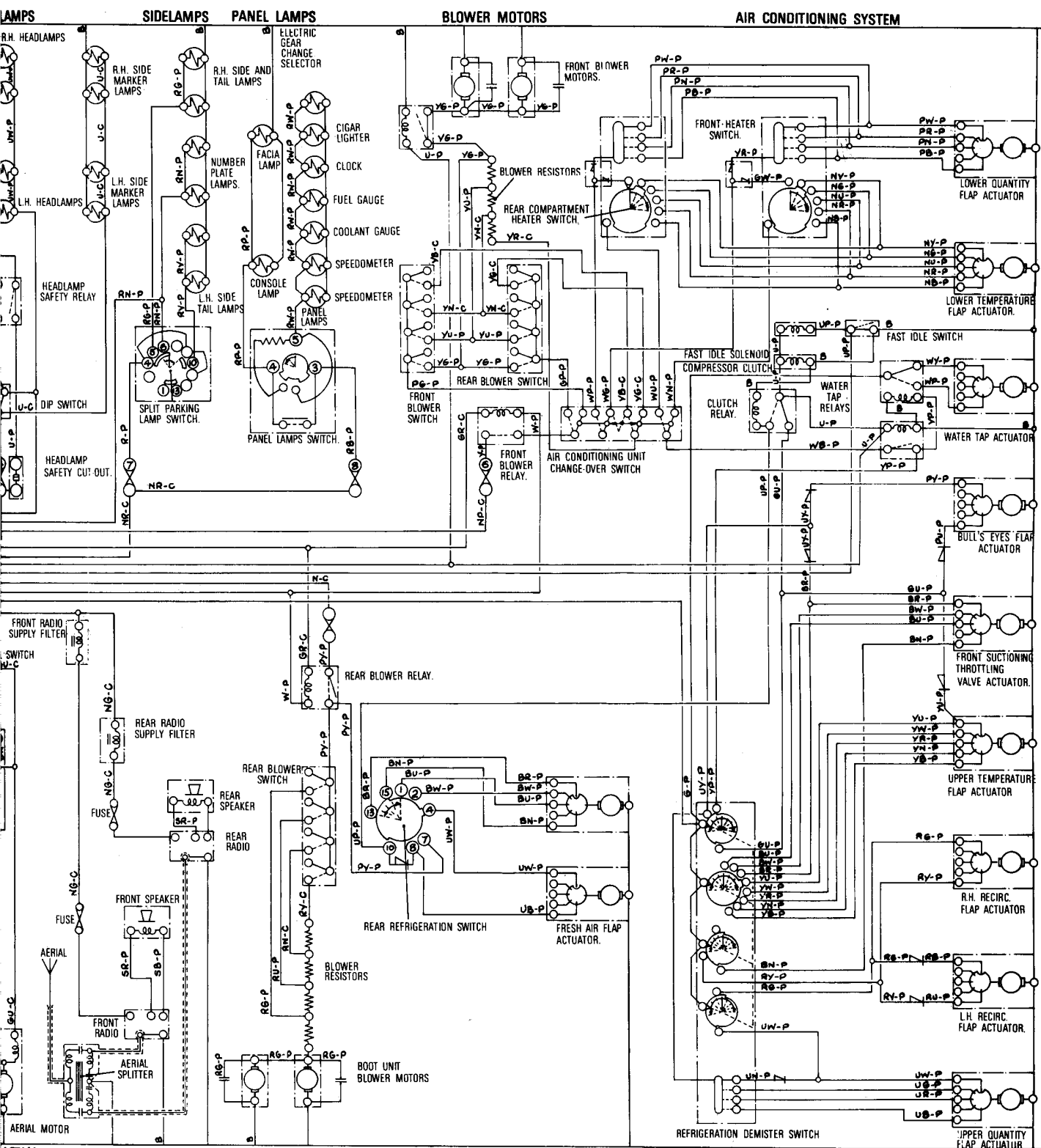
STOPLAMPS - DIRECTION INDICATORS - REVERSE LAMPS

HORNS

WINDSCREEN WIPERS

REAR WINDOW DEMISTER

AERIAL



AERIAL

PRACTICAL WIRING DIAGRAM

SHEET 2

L.H. & R.H. BODY LOOMS

ROLLS-ROYCE SILVER SHADOW

AND

BENTLEY T SERIES

LEFT-HAND DRIVE LONG WHEELBASE CARS

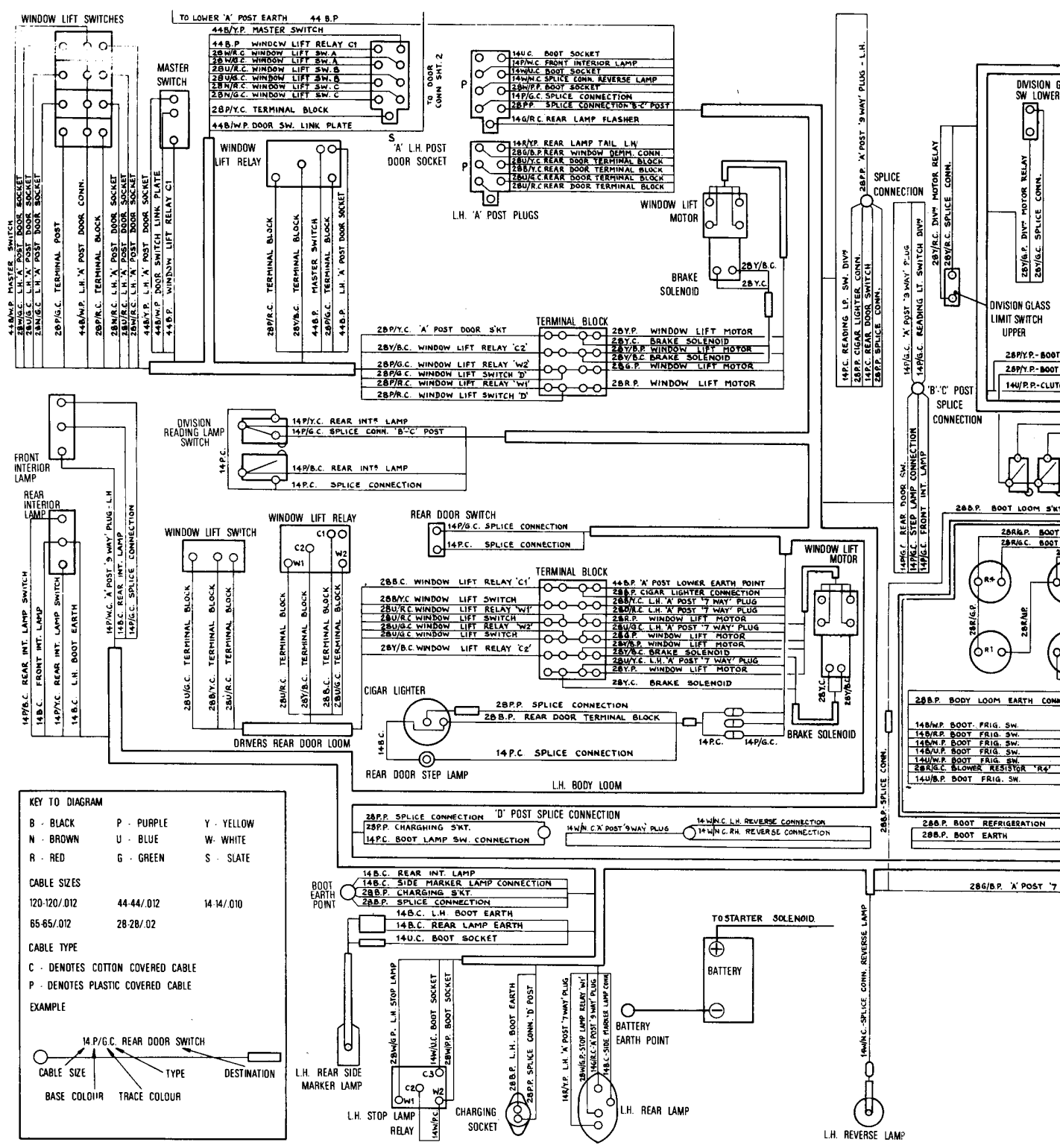
WITH DIVISION

AFTER CAR SERIAL NUMBER LRX 6598

TSD Publications 2554

© Rolls-Royce Limited 1969

Rolls-Royce policy is one of continuous engineering improvement and the right is reserved to revise the contents of this publication without prior notice.



KEY TO DIAGRAM

B - BLACK P - PURPLE Y - YELLOW
 N - BROWN U - BLUE W - WHITE
 R - RED G - GREEN S - SLATE

CABLE SIZES

120-120/012 44-44/012 14-14/010
 65-65/012 28-28/02

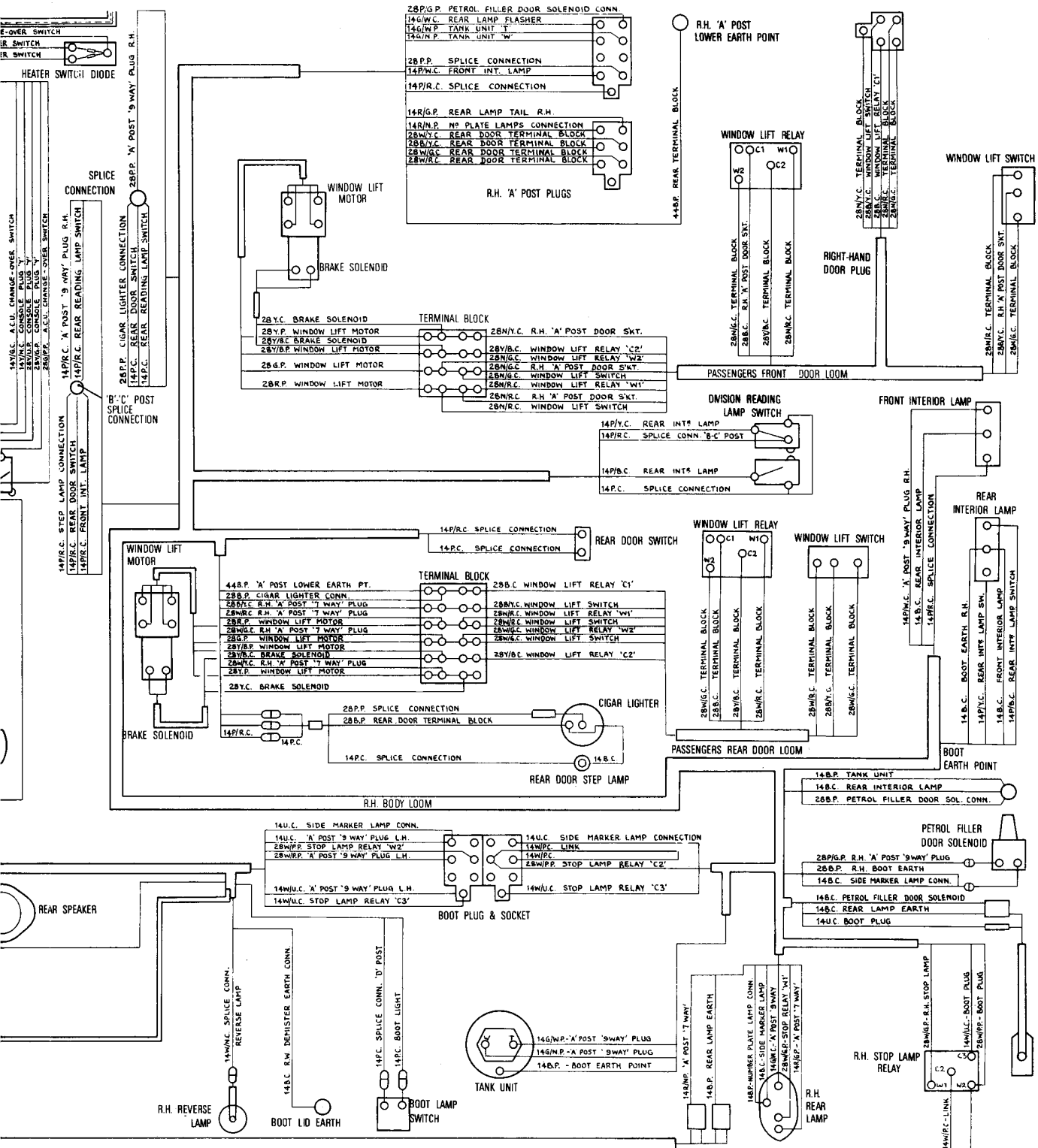
CABLE TYPE

C - DENOTES COTTON COVERED CABLE
 P - DENOTES PLASTIC COVERED CABLE

EXAMPLE

14P/G.C. REAR DOOR SWITCH

CABLE SIZE TYPE DESTINATION
 BASE COLOUR TRACE COLOUR



PRACTICAL WIRING DIAGRAM

SHEET 3

ENGINE LOOMS

ROLLS-ROYCE SILVER SHADOW

AND

BENTLEY T SERIES

LEFT-HAND DRIVE LONG WHEELBASE CARS

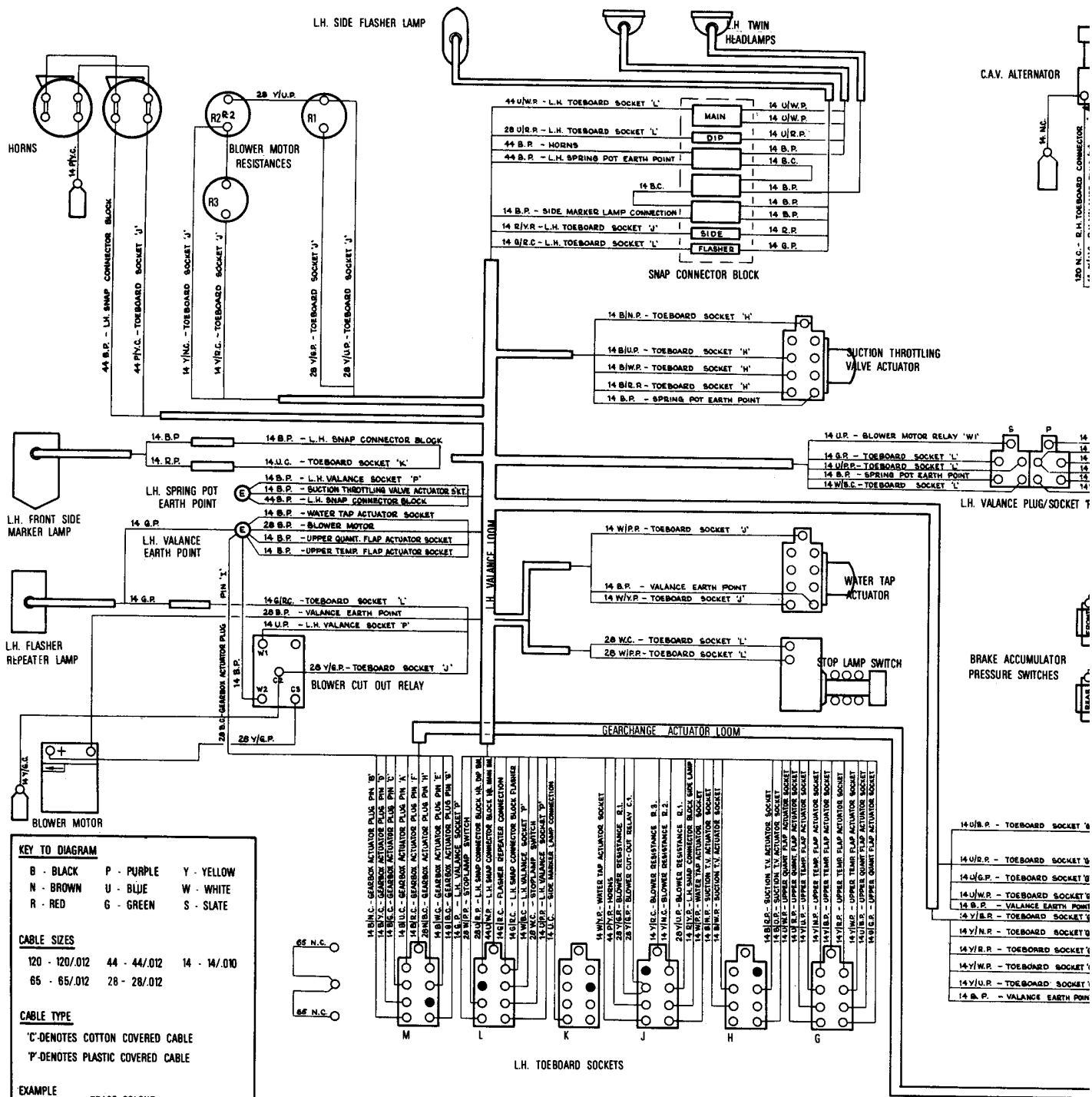
WITH DIVISION

AFTER CAR SERIAL NUMBER LRX 6598

TSD Publications 2554

© Rolls-Royce Limited 1969

Rolls-Royce policy is one of continuous engineering improvement and the right is reserved to revise the contents of this publication without prior notice.



KEY TO DIAGRAM

B - BLACK	P - PURPLE	Y - YELLOW
N - BROWN	U - BLUE	W - WHITE
R - RED	G - GREEN	S - SLATE

CABLE SIZES

120 - 120/012	44 - 44/012	14 - 14/010
65 - 65/012	28 - 28/012	

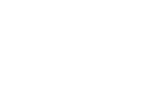
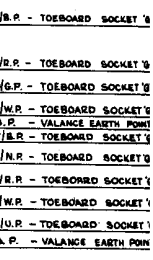
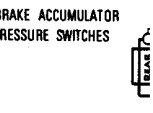
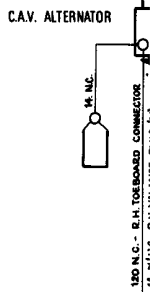
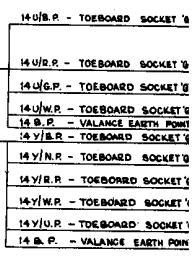
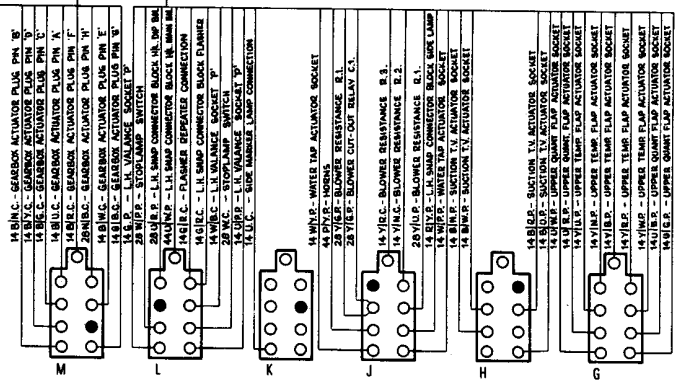
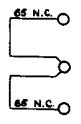
CABLE TYPE

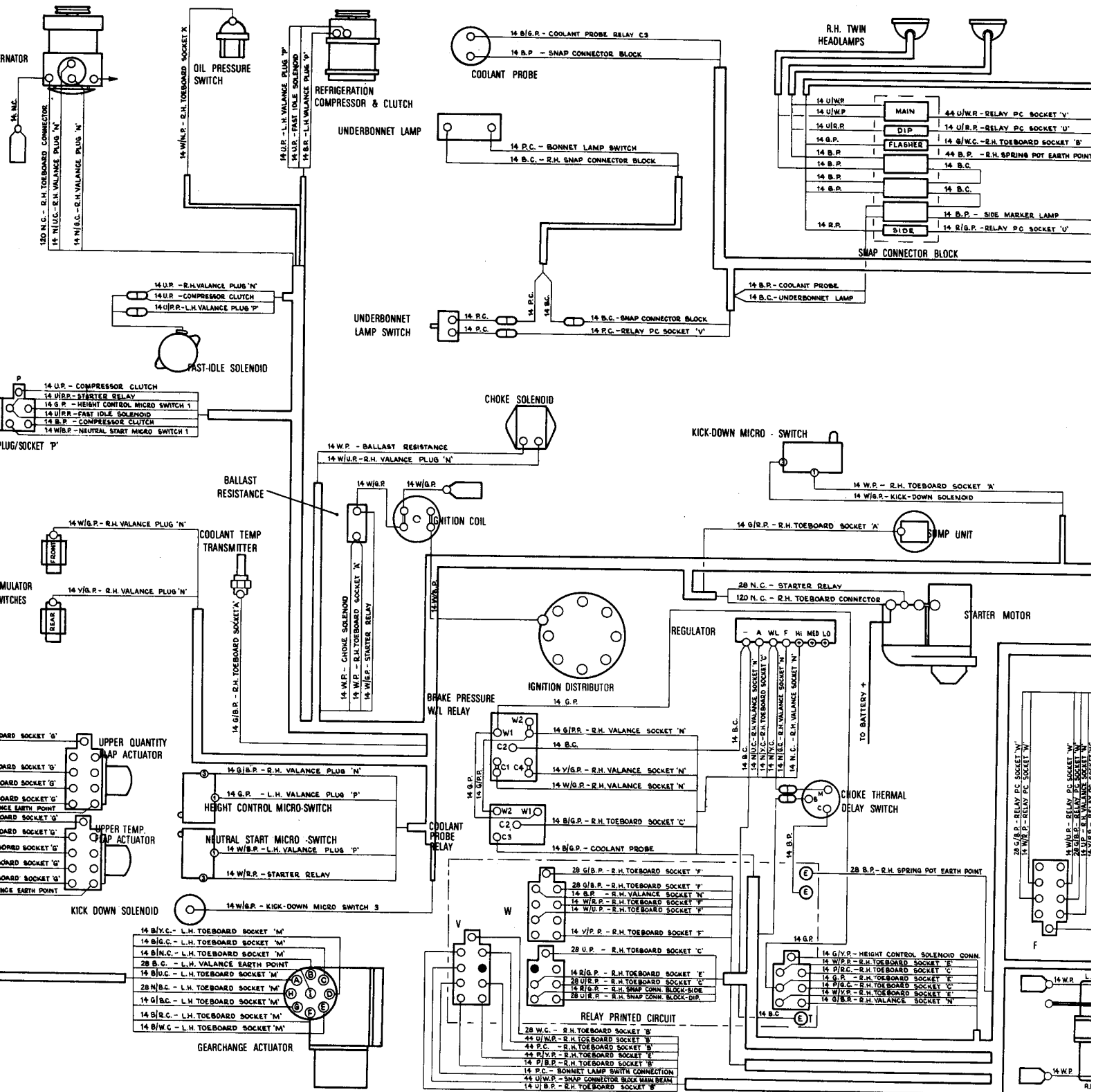
'C'-DENOTES COTTON COVERED CABLE
'P'-DENOTES PLASTIC COVERED CABLE

EXAMPLE

14.G/R.C. - L.H. TOEBOARD SOCKET 'U'

TRACE COLOUR
CABLE SIZE
TYPE
DESTINATION
BASE COLOUR





PRACTICAL WIRING DIAGRAM

SHEET 4

MAIN DISTRIBUTION LOOMS

ROLLS-ROYCE SILVER SHADOW

AND

BENTLEY T SERIES

LEFT-HAND DRIVE LONG WHEELBASE CARS

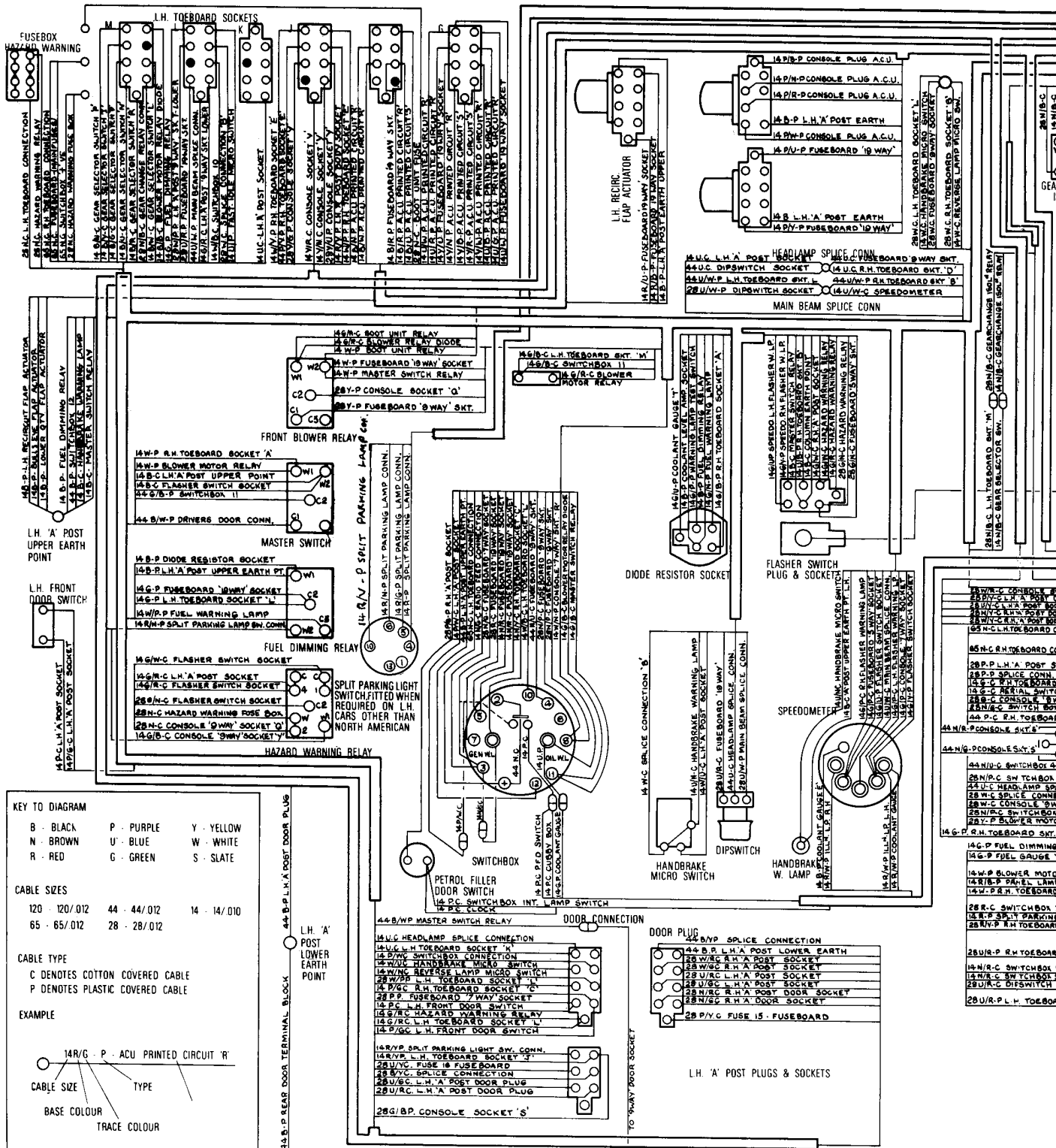
WITH DIVISION

AFTER CAR SERIAL NUMBER LRX 6598

TSD Publications 2554

© Rolls-Royce Limited 1969

Rolls-Royce policy is one of continuous engineering improvement and the right is reserved to revise the contents of this publication without prior notice.



KEY TO DIAGRAM

B - BLACK P - PURPLE Y - YELLOW
 N - BROWN U - BLUE W - WHITE
 R - RED G - GREEN S - SLATE

CABLE SIZES

120 - 120/012 44 - 44/012 14 - 14/010
 65 - 65/012 28 - 28/012

CABLE TYPE

C DENOTES COTTON COVERED CABLE
 P DENOTES PLASTIC COVERED CABLE

EXAMPLE

14R/G - P - ACU PRINTED CIRCUIT 'R'
 CABLE SIZE TYPE BASE COLOUR TRACE COLOUR

44B/P REAR DOOR TERMINAL BLOCK
 L.H. 'A' POST LOWER EARTH POINT

44B/P MASTER SWITCH RELAY
 14V/C HEADLAMP SPLICE CONNECTION
 14V/C L.H. TOEBOARD SOCKET 'K'
 14B/C SWITCHBOX CONNECTION
 14W/C HANDBRAKE MICRO SWITCH
 14W/C REVERSE LAMP MICRO SWITCH
 28W/C L.H. TOEBOARD SOCKET
 14P/C R.H. TOEBOARD SOCKET 'Q'
 28P/P FUSEBOARD 7 WAY SOCKET
 14P/C L.H. FRONT DOOR SWITCH
 14G/C HAZARD WARNING RELAY
 14G/C L.H. TOEBOARD SOCKET 'L'
 14P/G L.H. FRONT DOOR SWITCH
 14R/V/P SPLIT PARKING LIGHT SW. CONN.
 14R/V L.H. TOEBOARD SOCKET 'T'
 28V/C FUSE BOARD '10' WAY
 28V/C SPLICE CONNECTION
 28V/G L.H. 'A' POST DOOR PLUG
 28U/R L.H. 'A' POST DOOR PLUG
 28G/BP CONSOLE SOCKET 'S'

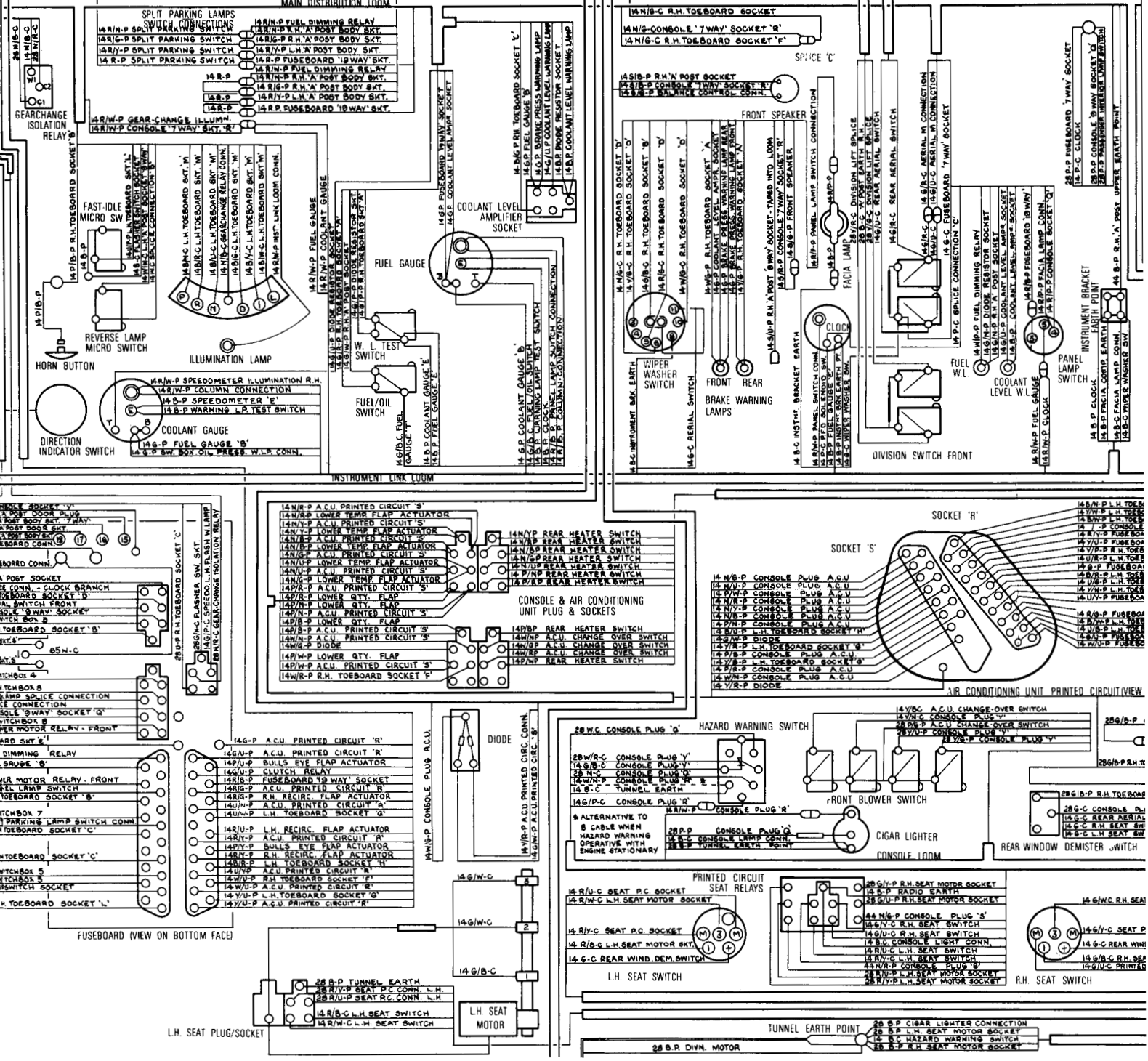
DOOR CONNECTION
 DOOR PLUG
 44B/P SPLICE CONNECTION
 28W/C L.H. 'A' POST LOWER EARTH
 28W/C L.H. 'A' POST SOCKET
 28U/R L.H. 'A' POST SOCKET
 28V/G L.H. 'A' POST SOCKET
 28N/C R.H. 'A' POST DOOR SOCKET
 28V/C R.H. 'A' POST DOOR SOCKET
 28V/C FUSE 15 - FUSEBOARD
 L.H. 'A' POST PLUGS & SOCKETS

28U/R L.H. TOEBOARD SOCKET 'L'
 28W/C HAZARD WARNING RELAY
 28W/C REVERSE LAMP MICRO SW.
 28W/C FUSEBOARD 9 WAY SWT.
 14U/C DIP SWITCH SOCKET
 14U/C R.H. TOEBOARD SWT. 'D'
 14W/W L.H. TOEBOARD SWT. 'L'
 14W/W P.R.H. TOEBOARD SWT. 'B'
 28U/W/P DIP SWITCH SOCKET
 14U/W/C SPEEDOMETER
 28W/C CONSOLE SOCKET 'A'
 28P/C L.H. 'A' POST 'A'
 28P/C L.H. 'A' POST 'B'
 28W/C R.H. TOEBOARD 'C'
 28W/C R.H. TOEBOARD 'D'
 28W/C R.H. TOEBOARD 'E'
 28W/C R.H. TOEBOARD 'F'
 28W/C R.H. TOEBOARD 'G'
 28W/C R.H. TOEBOARD 'H'
 28W/C R.H. TOEBOARD 'I'
 28W/C R.H. TOEBOARD 'J'
 28W/C R.H. TOEBOARD 'K'
 28W/C R.H. TOEBOARD 'L'
 28W/C R.H. TOEBOARD 'M'
 28W/C R.H. TOEBOARD 'N'
 28W/C R.H. TOEBOARD 'O'
 28W/C R.H. TOEBOARD 'P'
 28W/C R.H. TOEBOARD 'Q'
 28W/C R.H. TOEBOARD 'R'
 28W/C R.H. TOEBOARD 'S'
 28W/C R.H. TOEBOARD 'T'
 28W/C R.H. TOEBOARD 'U'
 28W/C R.H. TOEBOARD 'V'
 28W/C R.H. TOEBOARD 'W'
 28W/C R.H. TOEBOARD 'X'
 28W/C R.H. TOEBOARD 'Y'
 28W/C R.H. TOEBOARD 'Z'

SECONDARY DISTRIBUTION LOOM

AIR CONDITIONING LOOM

MAIN DISTRIBUTION LOOM



FUSEBOARD (VIEW ON BOTTOM FACE)

L.H. SEAT PLUG/SOCKET

L.H. SEAT MOTOR

L.H. SEAT SWITCH

L.H. SEAT MOTOR SOCKET

L.H. SEAT SWITCH

L.H. SEAT MOTOR SOCKET

L.H. SEAT SWITCH

L.H. SEAT MOTOR SOCKET

L.H. SEAT SWITCH

L.H. SEAT MOTOR SOCKET

L.H. SEAT SWITCH

14G/W-C

14G/W-C

14G/B-C

14G/W-C

14G/W-C

14G/W-C

14G/W-C

14G/W-C

14G/W-C

14G/W-C

14G/W-C

14G/W-C

14G/W-C

14G/W-C

14G/B-C

14G/W-C

14G/W-C

14G/W-C

14G/W-C

14G/W-C

14G/W-C

14G/W-C

14G/W-C

14G/W-C

14G/W-C

14G/W-C

14G/B-C

14G/W-C

14G/W-C

14G/W-C

14G/W-C

14G/W-C

14G/W-C

14G/W-C

14G/W-C

14G/W-C

14G/W-C

14G/W-C

14G/B-C

14G/W-C

14G/W-C

14G/W-C

14G/W-C

14G/W-C

14G/W-C

14G/W-C

14G/W-C

14G/W-C

14G/W-C

14G/W-C

14G/B-C

14G/W-C

14G/W-C

14G/W-C

14G/W-C

14G/W-C

14G/W-C

14G/W-C

14G/W-C

14G/W-C

14G/W-C

14G/W-C

14G/B-C

14G/W-C

14G/W-C

14G/W-C

14G/W-C

14G/W-C

14G/W-C

14G/W-C

14G/W-C

14G/W-C

14G/W-C

14G/W-C

14G/B-C

14G/W-C

14G/W-C

14G/W-C

14G/W-C

14G/W-C

14G/W-C

14G/W-C

14G/W-C

14G/W-C

14G/W-C

14G/W-C

14G/B-C

14G/W-C

14G/W-C

14G/W-C

14G/W-C

14G/W-C

14G/W-C

14G/W-C

14G/W-C

14G/W-C

14G/W-C

14G/W-C

14G/B-C

14G/W-C

14G/W-C

14G/W-C

14G/W-C

14G/W-C

14G/W-C

14G/W-C

14G/W-C

14G/W-C

14G/W-C

14G/W-C

14G/B-C

14G/W-C

14G/W-C

14G/W-C

14G/W-C

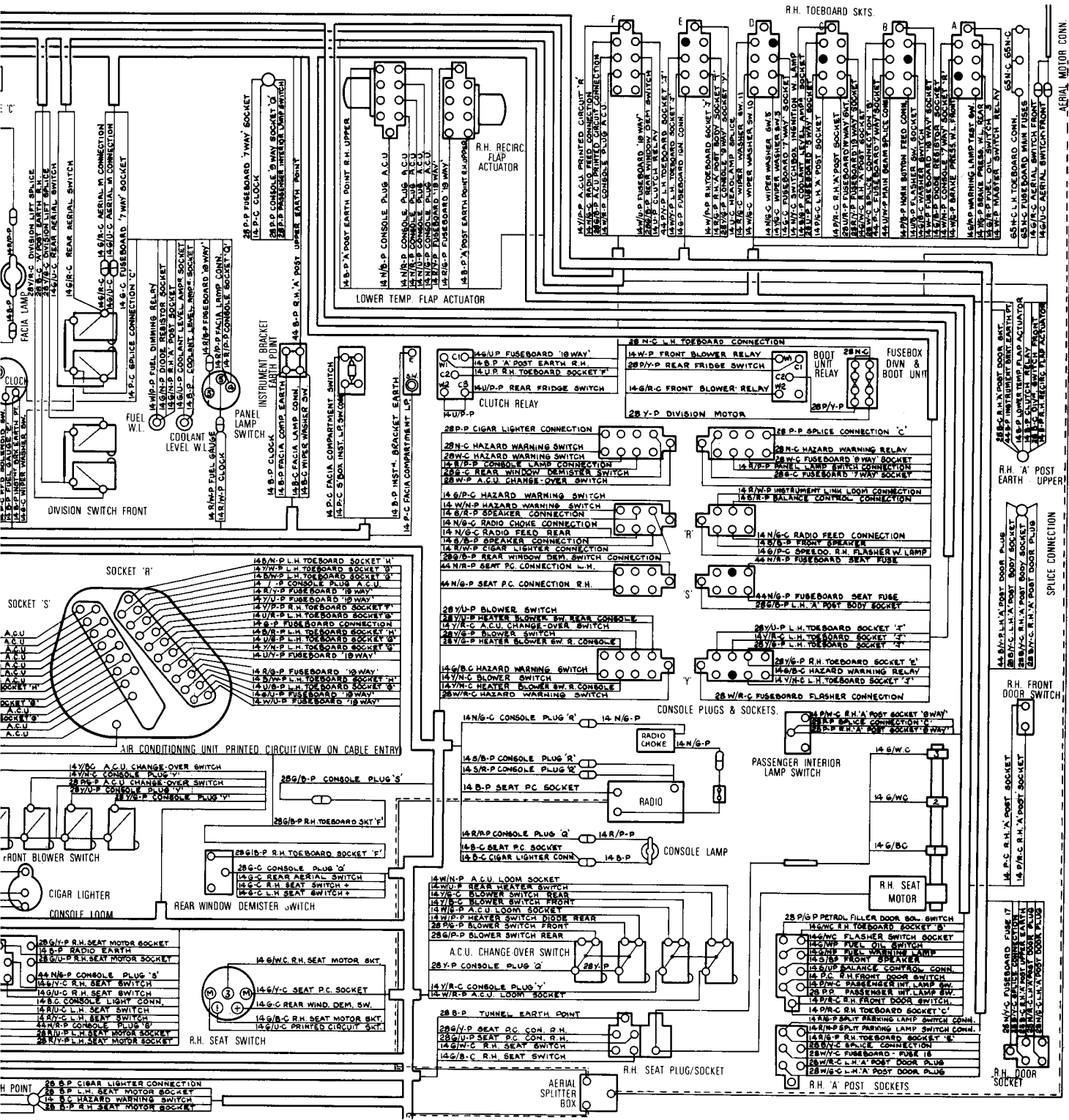
14G/W-C

14G/W-C

14G/W-C

14G/W-C

14G/W-C



R.H. TOEBOARD SKTS.

LOWER TEMP. FLAP ACTUATOR

CLUTCH RELAY

28 N-C L.H. TOEBOARD CONNECTION

FUSEBOX

SOCKET 'R'

SOCKET 'S'

AIR CONDITIONING UNIT PRINTED CIRCUIT (VIEW ON CABLE ENTRY)

CONSOLE PLUGS & SOCKETS

PASSENGER INTERIOR LAMP SWITCH

R.H. SEAT MOTOR

R.H. SEAT SWITCH

R.H. SEAT PLUG/SOCKET

R.H. 'A' POST SOCKETS

R.H. DOOR SOCKET

AERIAL MOTOR CONN.

R.H. EARTH - UPPER

SPICE CONNECTION

R.H. FRONT DOOR SWITCH

R.H. DOOR SOCKET

R.H. DOOR SOCKET

R.H. DOOR SOCKET

R.H. DOOR SOCKET

R.H. DOOR SOCKET

R.H. DOOR SOCKET

R.H. DOOR SOCKET

R.H. DOOR SOCKET

R.H. DOOR SOCKET

R.H. DOOR SOCKET

R.H. DOOR SOCKET

R.H. DOOR SOCKET

R.H. DOOR SOCKET

R.H. DOOR SOCKET

R.H. DOOR SOCKET

R.H. DOOR SOCKET

R.H. DOOR SOCKET

R.H. DOOR SOCKET

R.H. DOOR SOCKET

R.H. DOOR SOCKET

R.H. DOOR SOCKET

Section 7

LEFT-HAND DRIVE CARS PRIOR TO SERIAL NUMBER 6000

APPLICATION	SHEET No
Engine and Instruments	1
Electrically Operated Seats	2
Lighting	3
Electrically Operated Windows	4
Starter and Ignition	5
Air Conditioning Unit (A.C.U.)	6
Interior Lighting	7
Gear Range Selector	8
Radio Receiver and Speakers	9
Direction Indicators and Handbrake Warning Lamp	10

PRACTICAL WIRING DIAGRAM

SHEET 1

ENGINE AND INSTRUMENTS

ROLLS-ROYCE SILVER SHADOW AND BENTLEY T SERIES LEFT-HAND DRIVE CARS PRIOR TO CAR SERIAL NUMBER SRX 6000

TSD Publication 2571

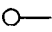
© Rolls-Royce Limited 1969

Rolls-Royce policy is one of continuous engineering improvement and the right is reserved to revise the contents of this publication without prior notice.

KEY TO DIAGRAM

CABLE COLOURS

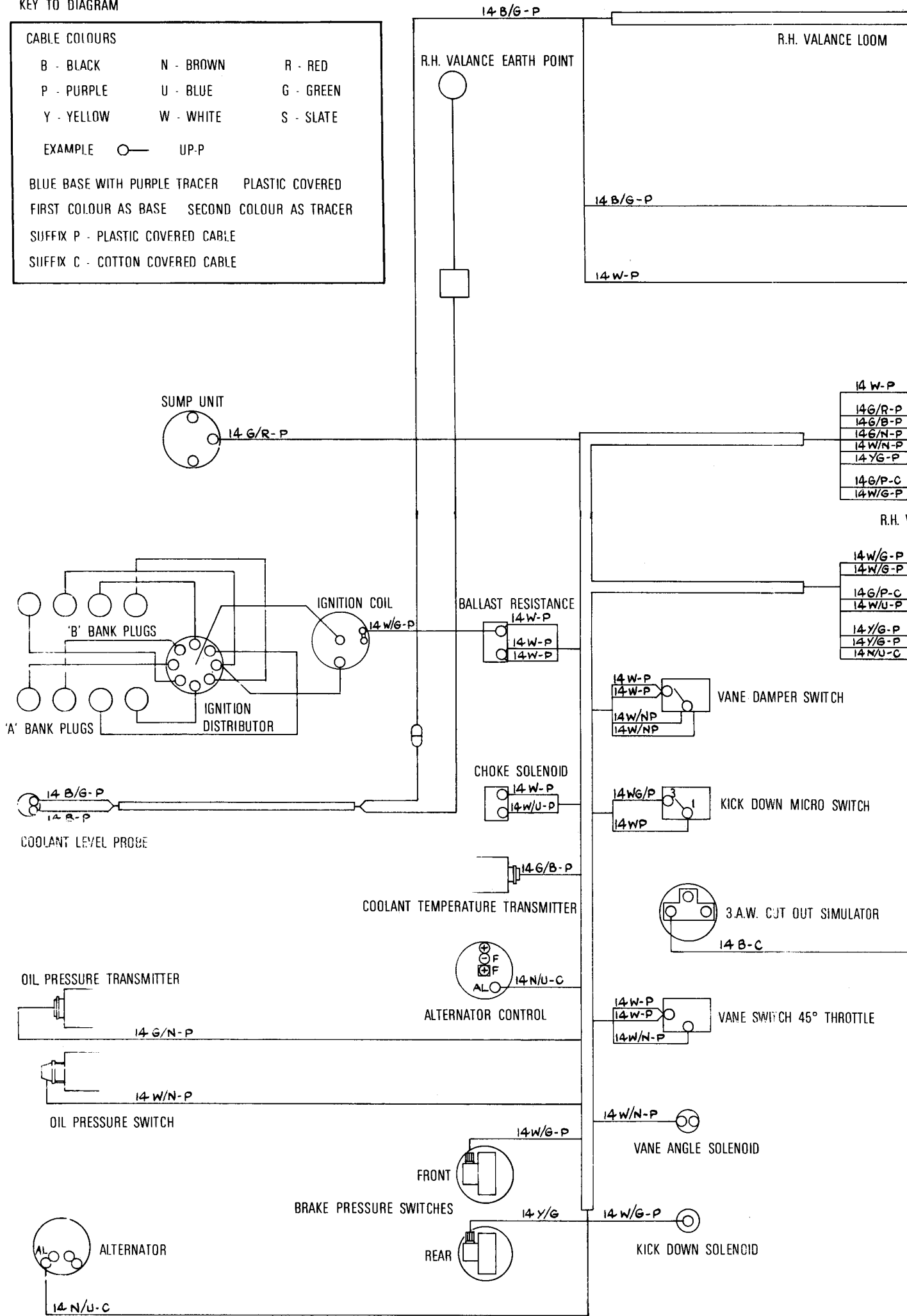
- | | | |
|------------|-----------|-----------|
| B - BLACK | N - BROWN | R - RED |
| P - PURPLE | U - BLUE | G - GREEN |
| Y - YELLOW | W - WHITE | S - SLATE |

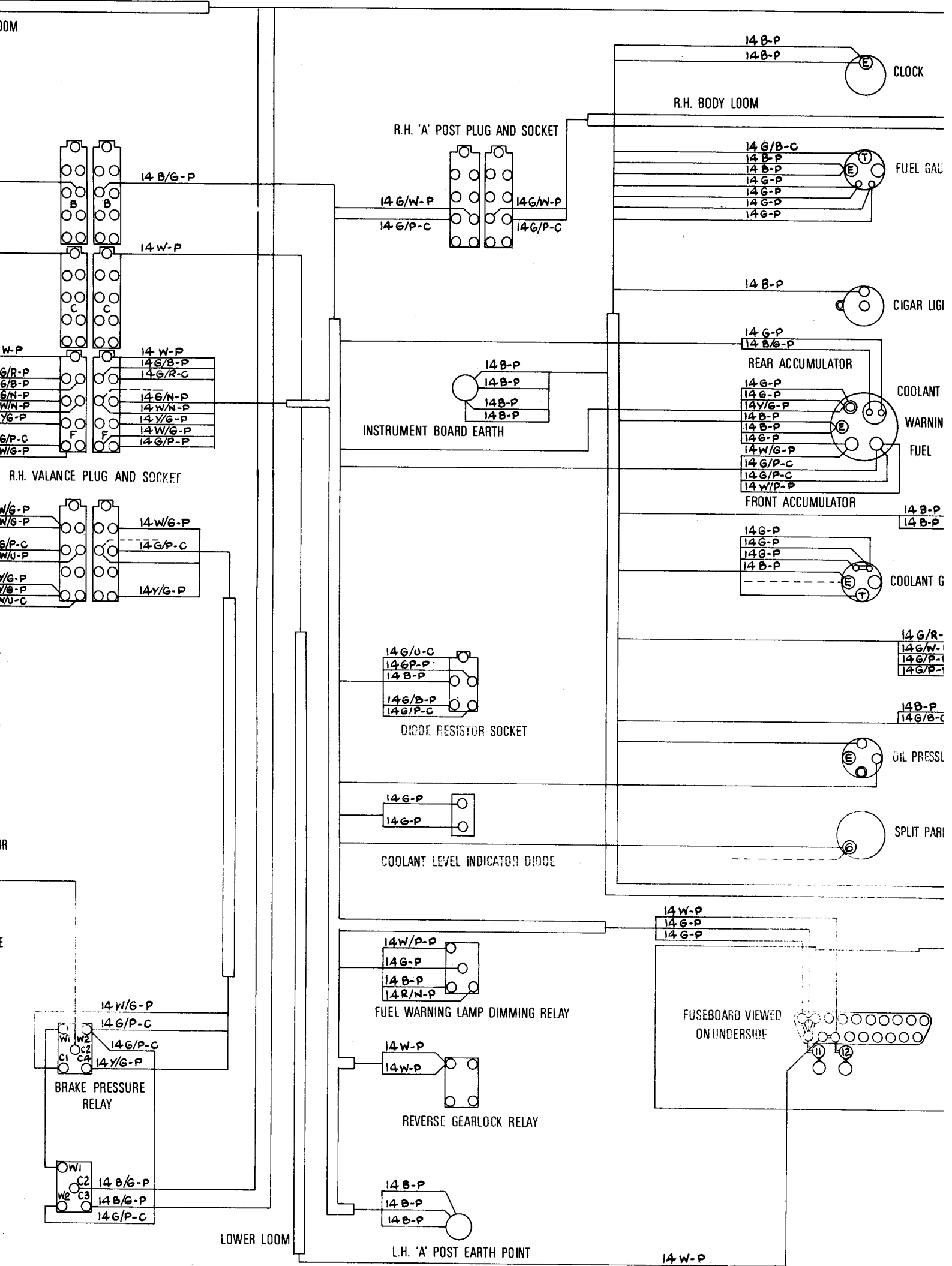
EXAMPLE  UP-P

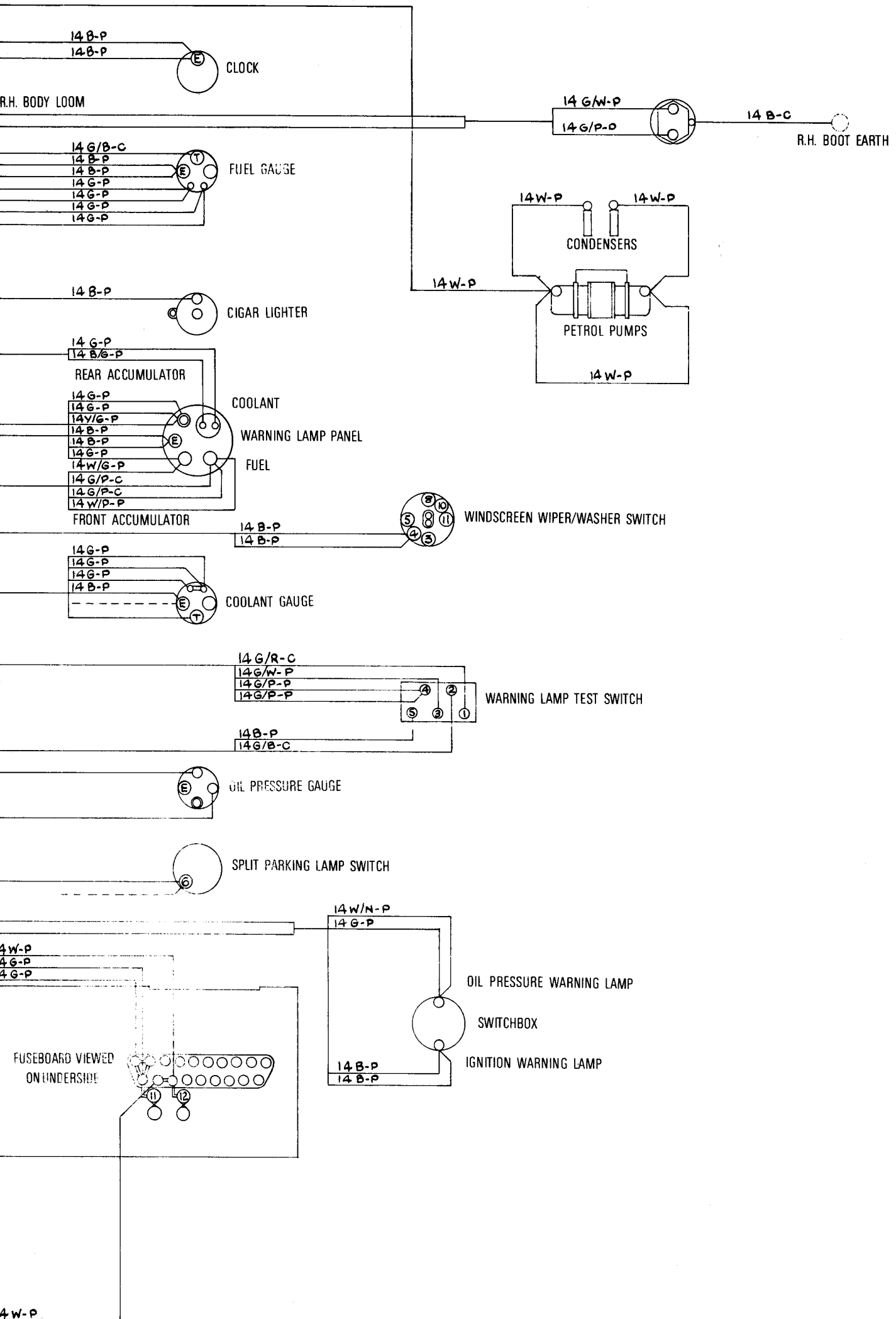
BLUE BASE WITH PURPLE TRACER PLASTIC COVERED
 FIRST COLOUR AS BASE SECOND COLOUR AS TRACER

SUFFIX P - PLASTIC COVERED CABLE

SUFFIX C - COTTON COVERED CABLE







PRACTICAL WIRING DIAGRAM

SHEET 2

ELECTRICALLY OPERATED FRONT SEATS

ROLLS-ROYCE SILVER SHADOW

AND

BENTLEY T SERIES

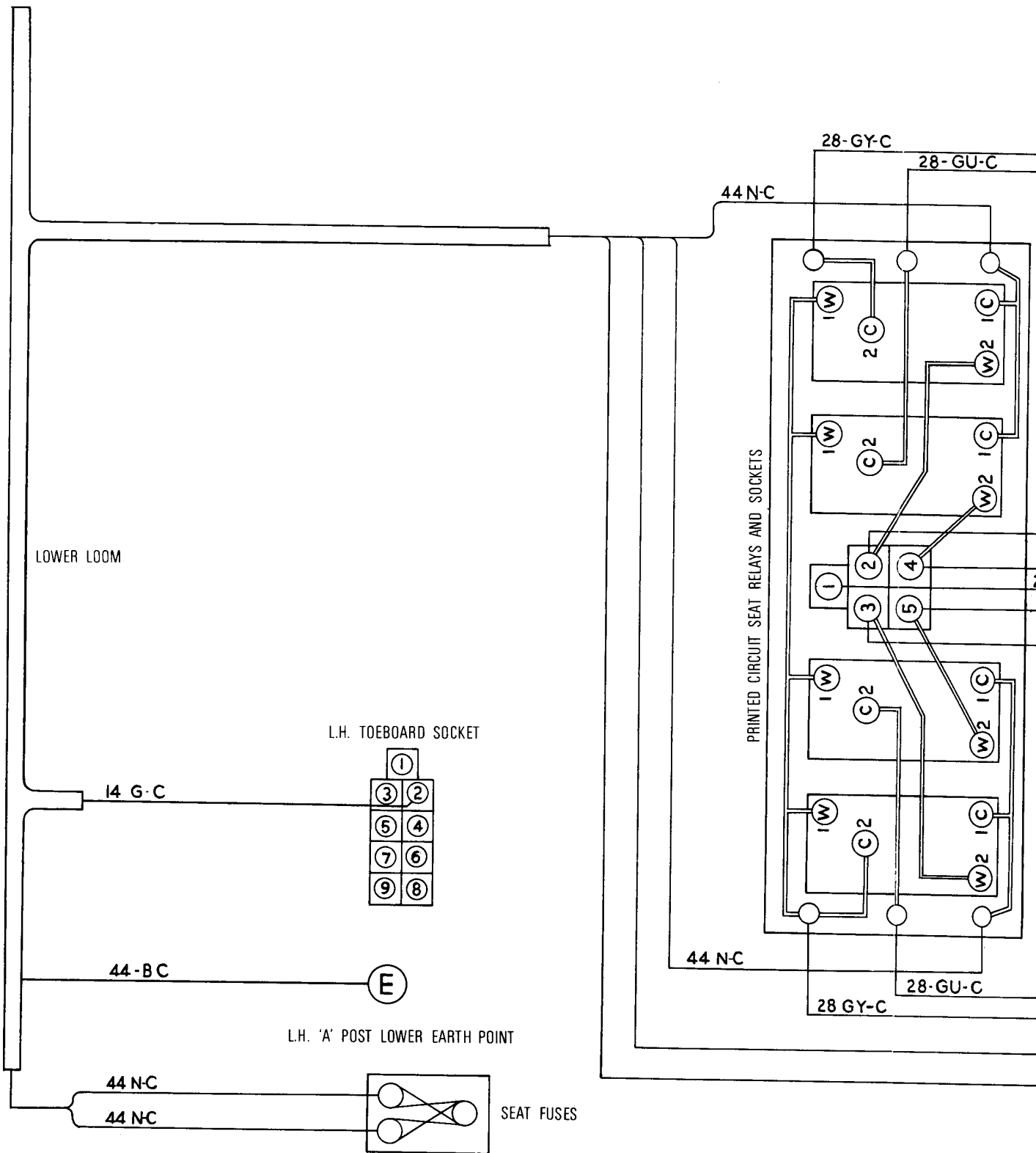
LEFT-HAND DRIVE CARS

PRIOR TO CAR SERIAL NUMBER SRX 6000

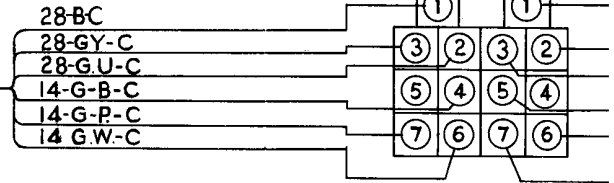
TSD Publication 2571

© Rolls-Royce Limited 1969

Rolls-Royce policy is one of continuous engineering improvement and the right is reserved to revise the contents of this publication without prior notice.

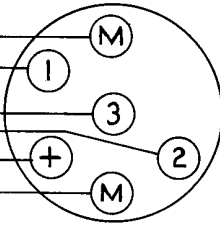


SEAT MOTOR PLUG AND SOCKET



R.H. SEAT LOOM

- 14 GU-C
- 14 GB-C
- 14 GW-C
- 14 GP-C
- 14 G-C
- 14 GY-C



PASSENGER'S SEAT SWITCH

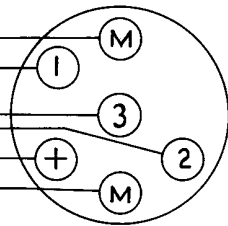
EARTH CONNECTION

- 28 B-C
- 28 B-C

- 14 G-C
- 14 G-C

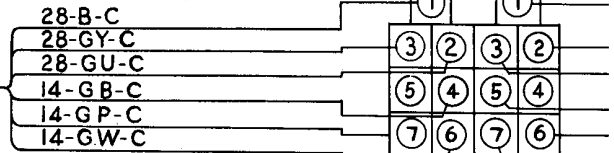
- 14 GU-C
- 14 GY-C

- 14 GU-C
- 14 GB-C
- 14 GW-C
- 14 GP-C
- 14 GC
- 14 GY-C



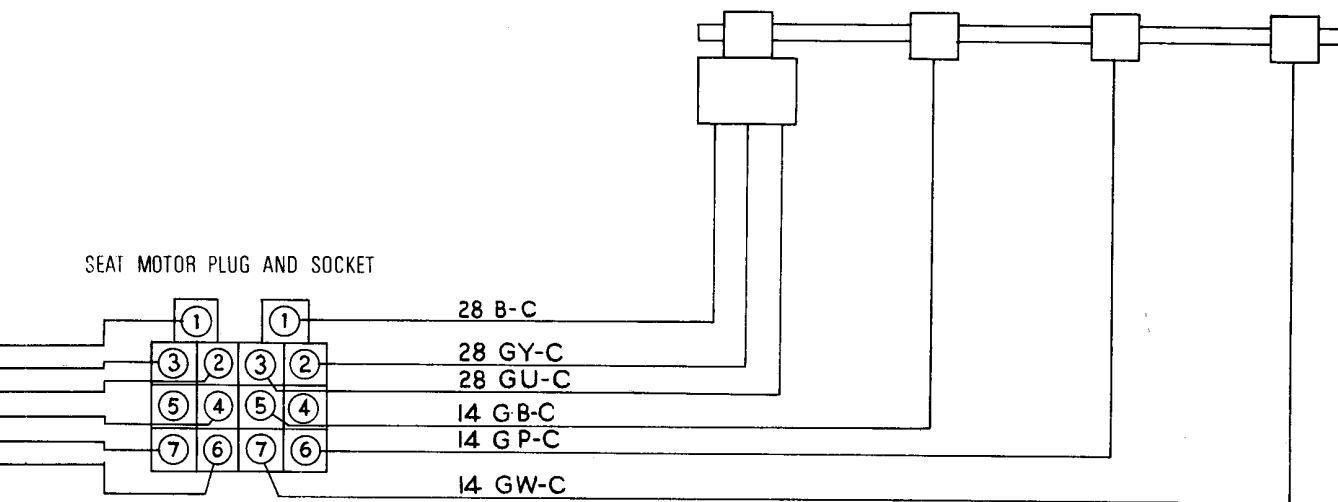
DRIVER'S SEAT SWITCH

L.H. SEAT LOOM



SEAT MOTOR PLUG AND SOCKET

PASSENGER'S SEAT MOTOR CLUTCHES



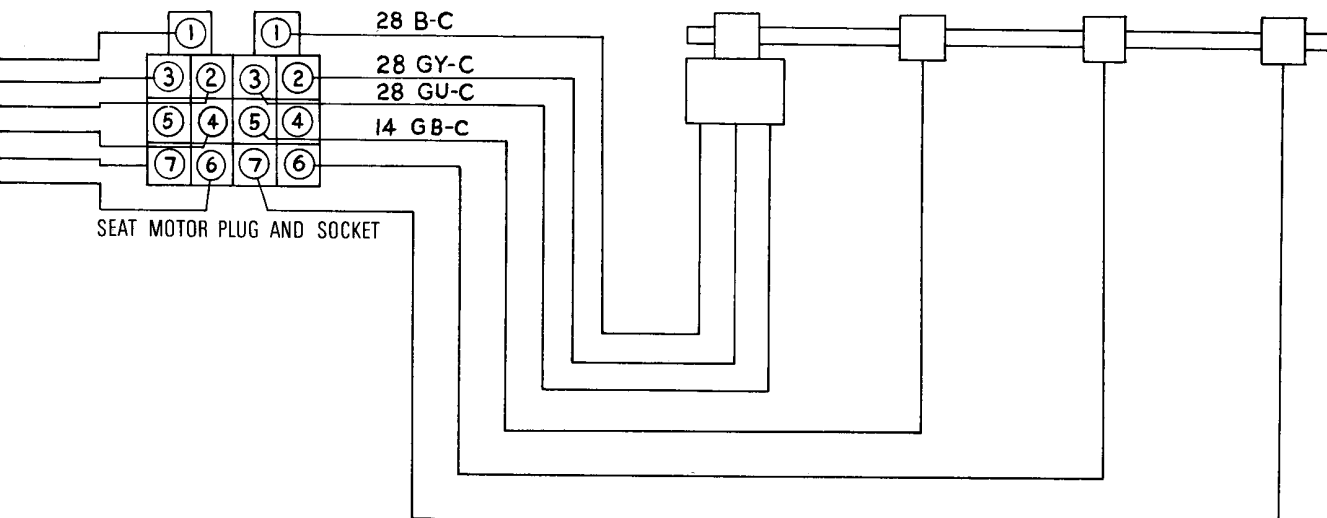
DRIVER'S SEAT SWITCH

KEY TO DIAGRAM

CABLE COLOURS		
B - BLACK	N - BROWN	R - RED
P - PURPLE	U - BLUE	G - GREEN
Y - YELLOW	W - WHITE	S - SLATE
EXAMPLE ○ — UP-P		
BLUE BASE WITH PURPLE TRACER PLASTIC COVERED		
FIRST COLOUR AS BASE SECOND COLOUR AS TRACER		
SUFFIX P - PLASTIC COVERED CABLE		
SUFFIX C - COTTON COVERED CABLE		

DRIVER'S SEAT SWITCH

DRIVER'S SEAT MOTOR CLUTCHES



PRACTICAL WIRING DIAGRAM

SHEET 3

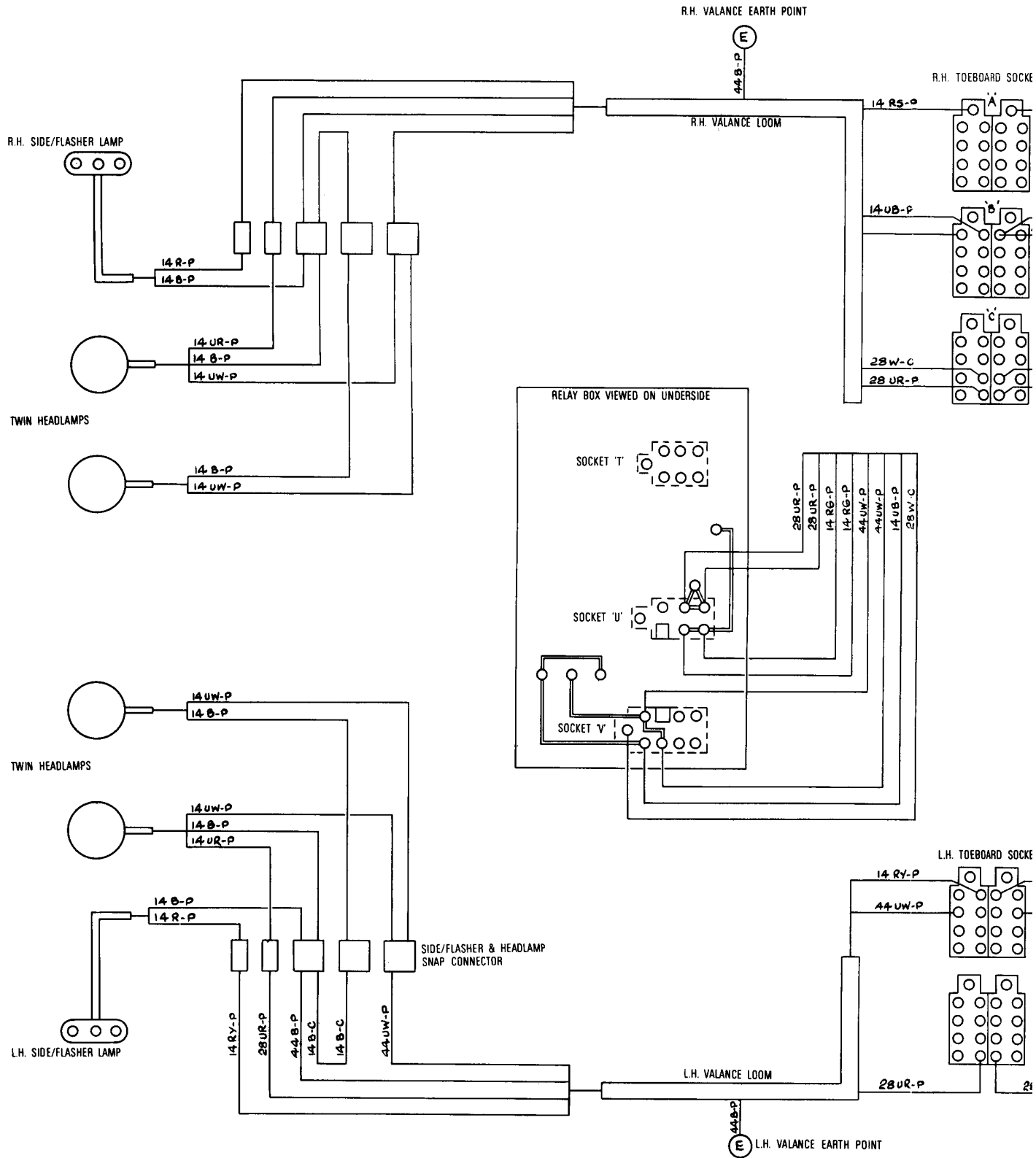
LIGHTING

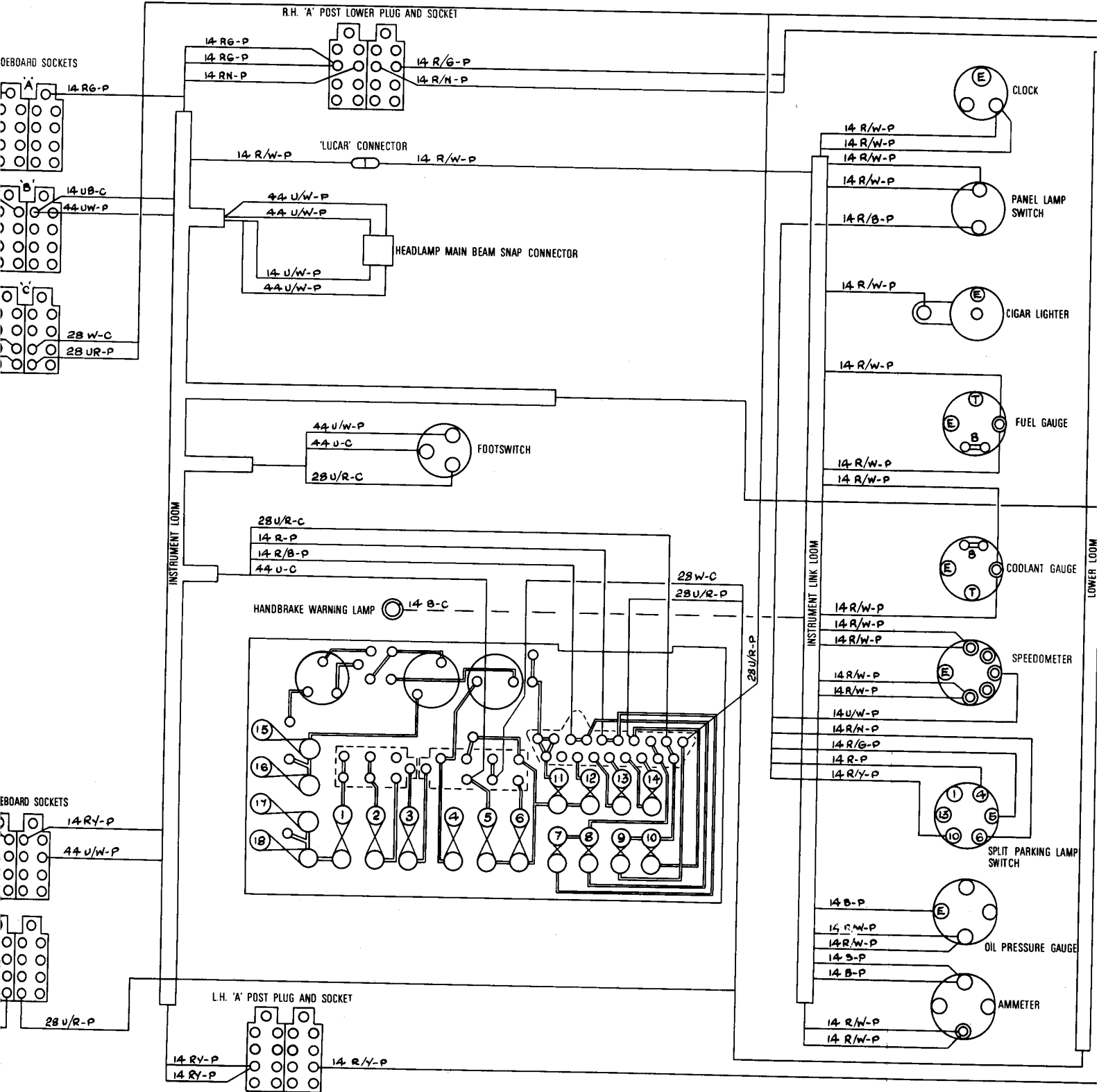
ROLLS-ROYCE SILVER SHADOW AND BENTLEY T SERIES LEFT-HAND DRIVE CARS PRIOR TO CAR SERIAL NUMBER SRX 6000

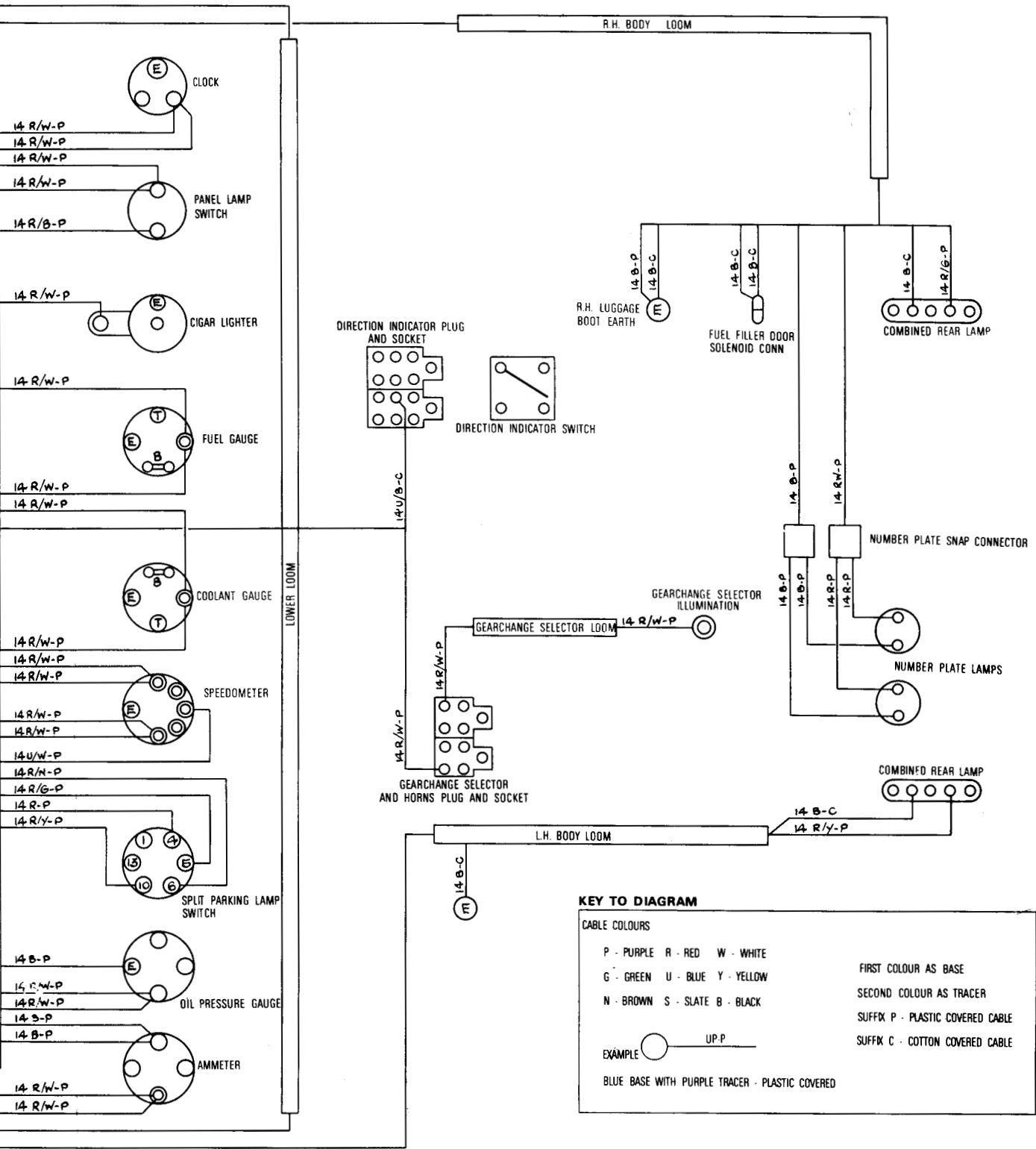
TSD Publication 2571

© Rolls-Royce Limited 1969


Rolls-Royce policy is one of continuous engineering improvement and the right is reserved to revise the contents of this publication without prior notice.







KEY TO DIAGRAM

CABLE COLOURS		
P - PURPLE	R - RED	W - WHITE
G - GREEN	U - BLUE	Y - YELLOW
N - BROWN	S - SLATE	B - BLACK
FIRST COLOUR AS BASE SECOND COLOUR AS TRACER SUFFIX P - PLASTIC COVERED CABLE SUFFIX C - COTTON COVERED CABLE		
EXAMPLE  UP-P BLUE BASE WITH PURPLE TRACER - PLASTIC COVERED		

PRACTICAL WIRING DIAGRAM

SHEET 4

ELECTRICALLY OPERATED WINDOWS

ROLLS-ROYCE SILVER SHADOW

AND

BENTLEY T SERIES

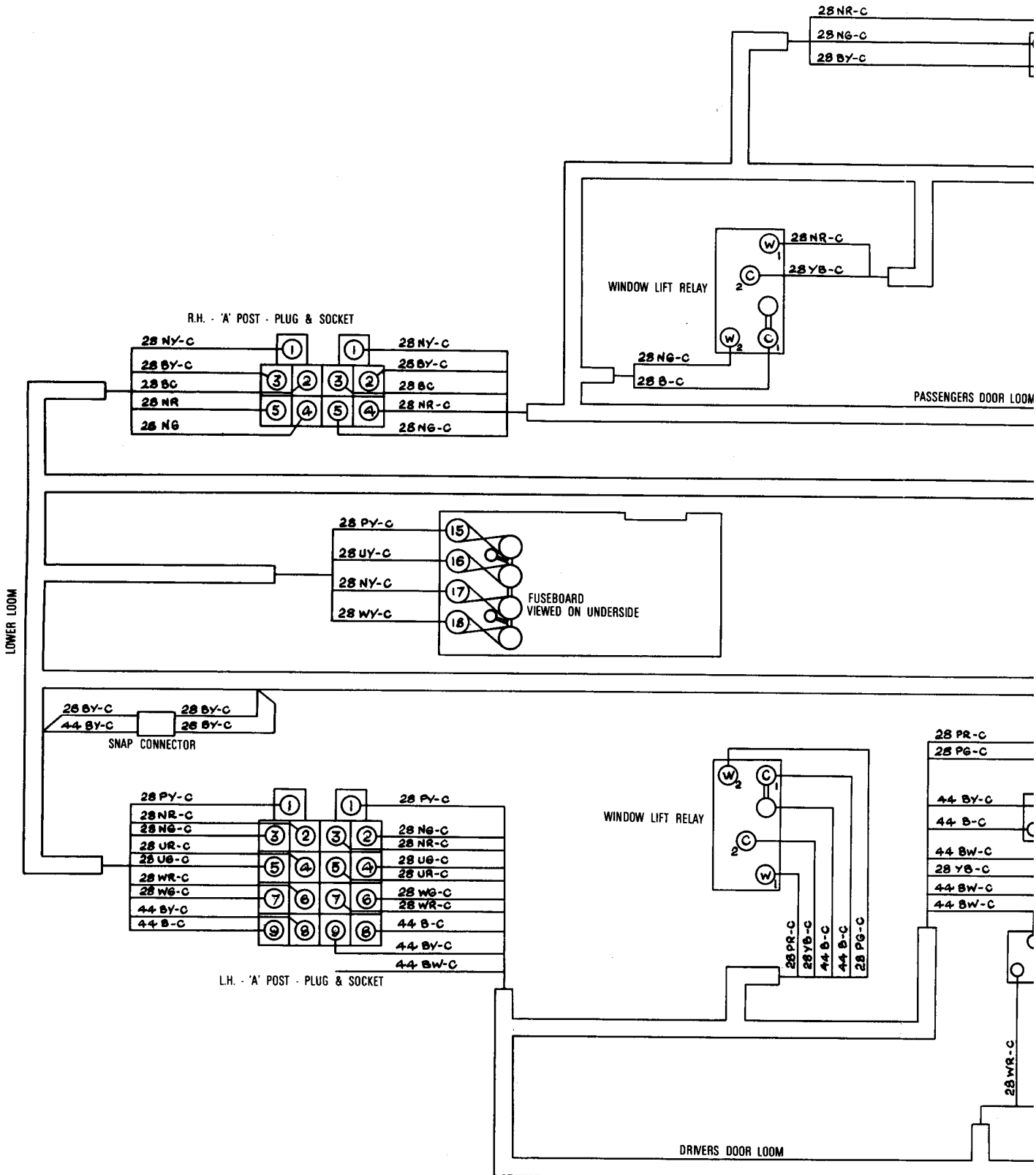
LEFT-HAND DRIVE CARS

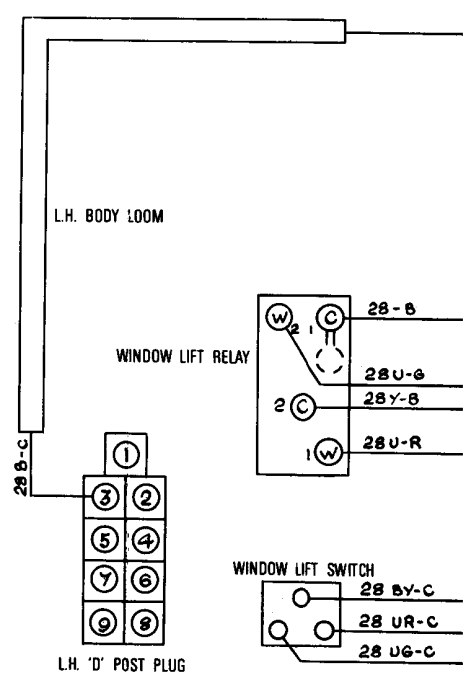
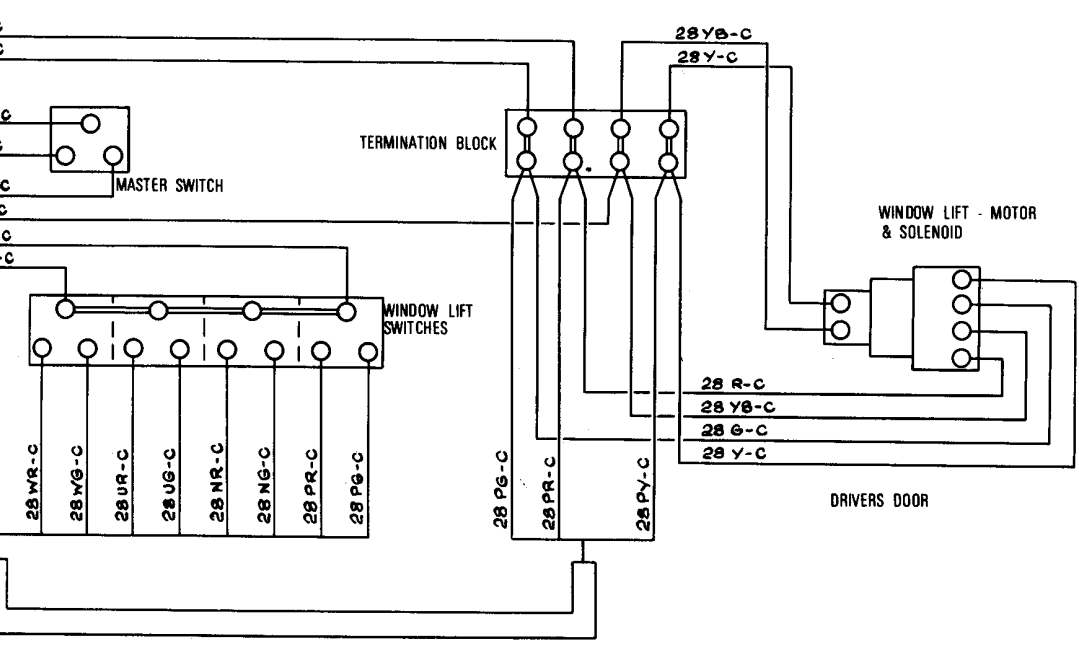
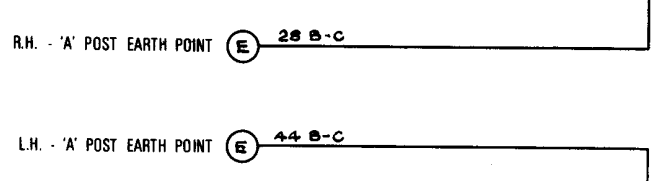
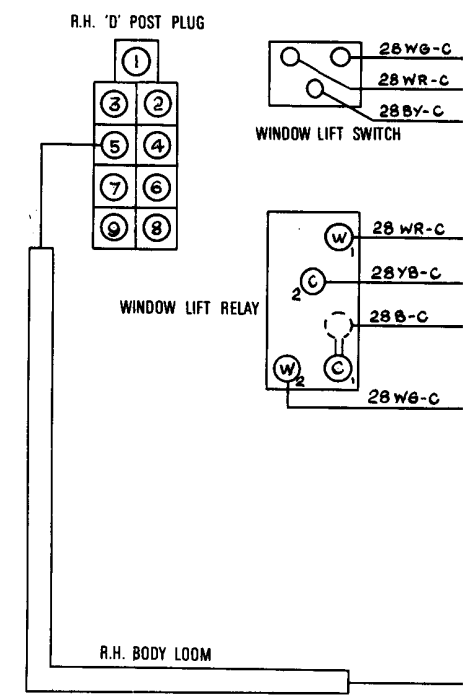
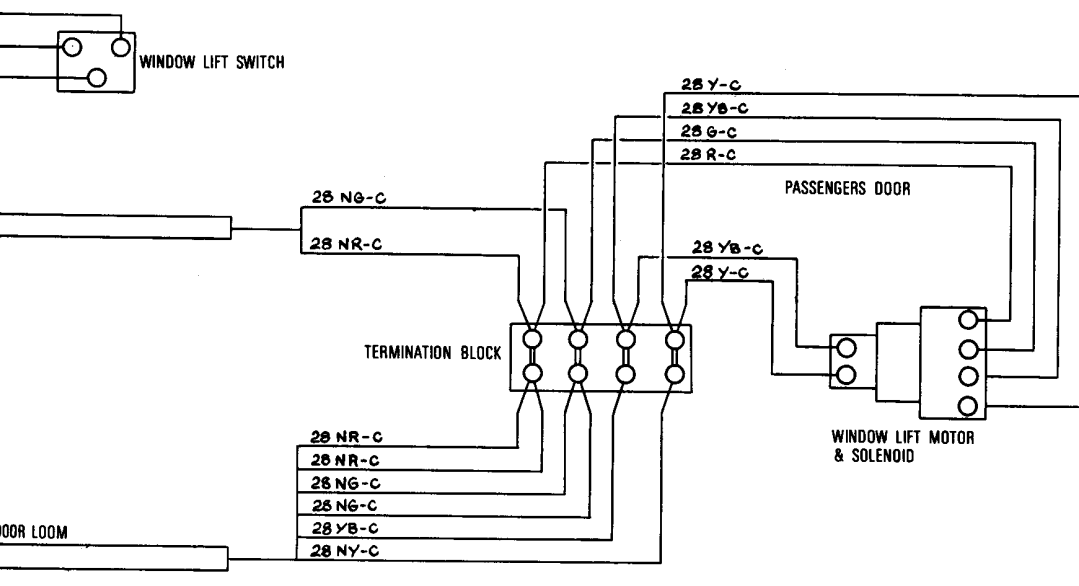
PRIOR TO CAR SERIAL NUMBER SRX 6000

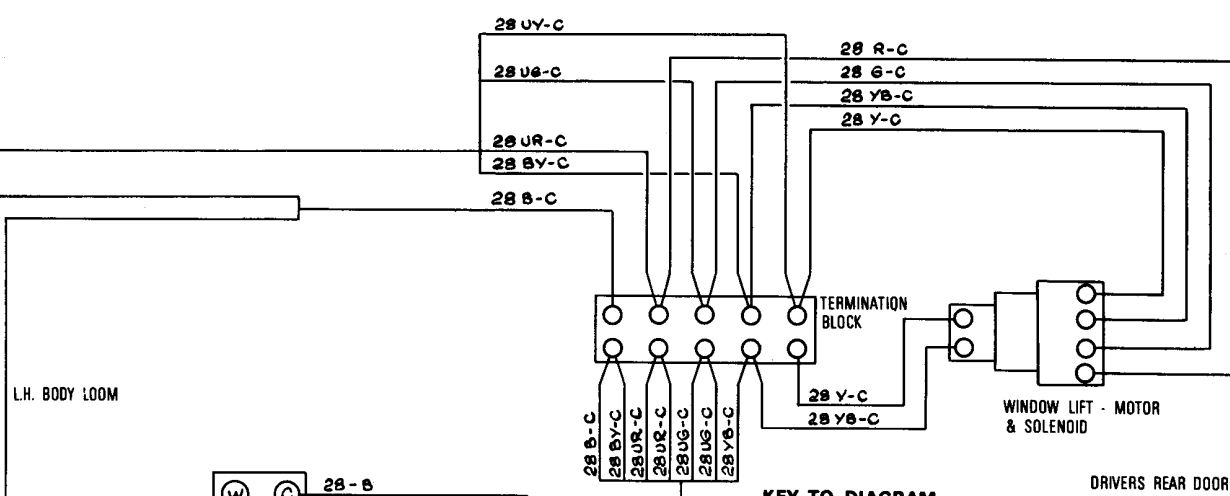
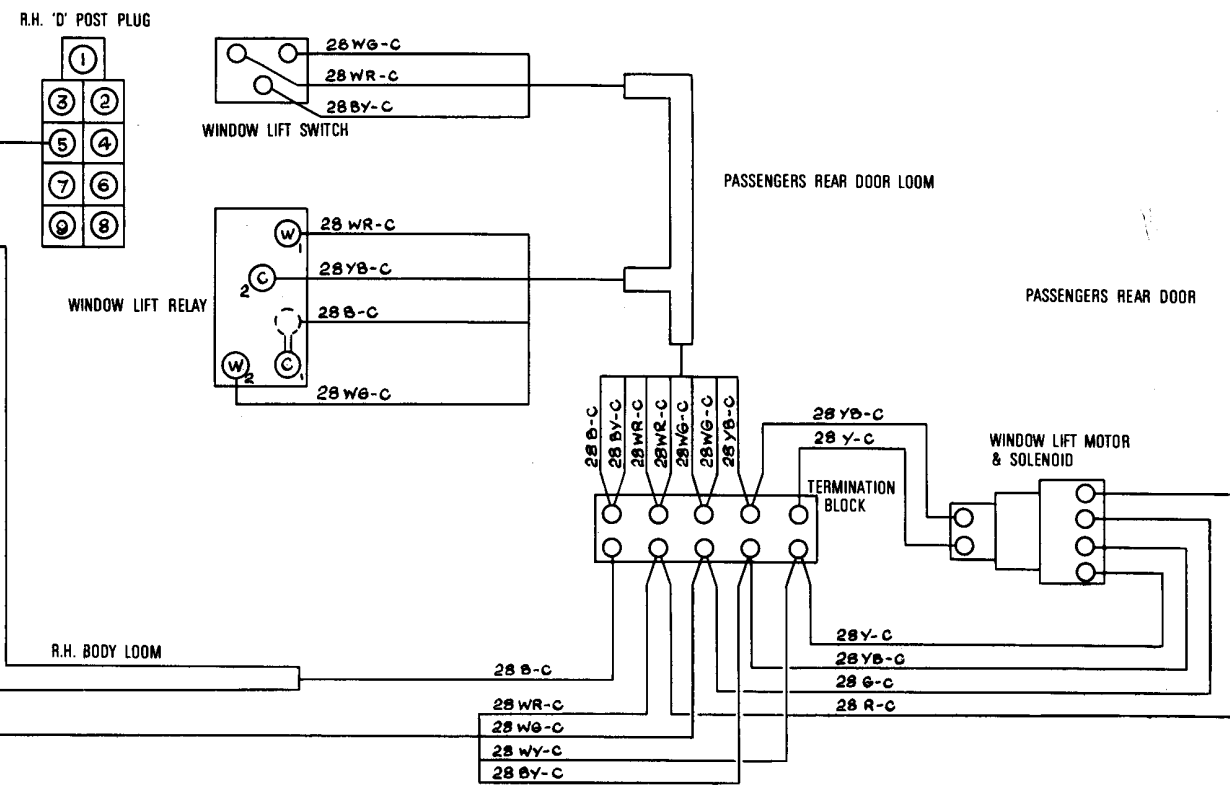
TSD Publication 2571

© Rolls-Royce Limited 1969

Rolls-Royce policy is one of continuous engineering improvement and the right is reserved to revise the contents of this publication without prior notice.








KEY TO DIAGRAM

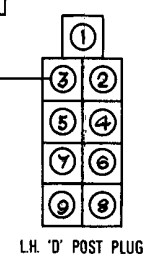
CABLE COLOURS

P - PURPLE	R - RED	W - WHITE
G - GREEN	U - BLUE	Y - YELLOW
N - BROWN	S - SLATE	B - BLACK

EXAMPLE  UP.P

FIRST COLOUR AS BASE
SECOND COLOUR AS TRACER
SUFFIX P - PLASTIC COVERED CABLE
SUFFIX C - COTTON COVERED CABLE

BLUE BASE WITH PURPLE TRACER - PLASTIC COVERED



PRACTICAL WIRING DIAGRAM

SHEET 5

STARTER & IGNITION

ROLLS-ROYCE SILVER SHADOW AND BENTLEY T SERIES LEFT-HAND DRIVE CARS PRIOR TO CAR SERIAL NUMBER SRX 6000

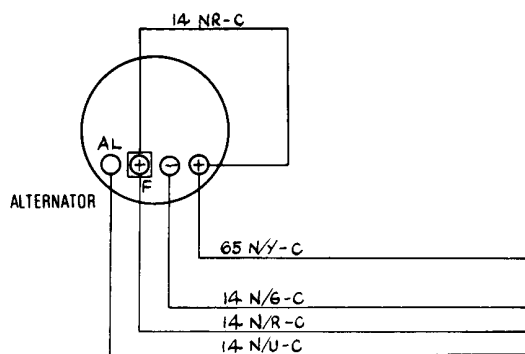
TSD Publication 2571

© Rolls-Royce Limited 1969

Rolls-Royce policy is one of continuous engineering improvement and the right is reserved to revise the contents of this publication without prior notice.

28 B-C

R.H. VALANCE EARTH POINT



KEY TO DIAGRAM

CABLE COLOURS

- | | | |
|------------|-----------|------------|
| P - PURPLE | R - RED | W - WHITE |
| G - GREEN | U - BLUE | Y - YELLOW |
| N - BROWN | S - SLATE | B - BLACK |



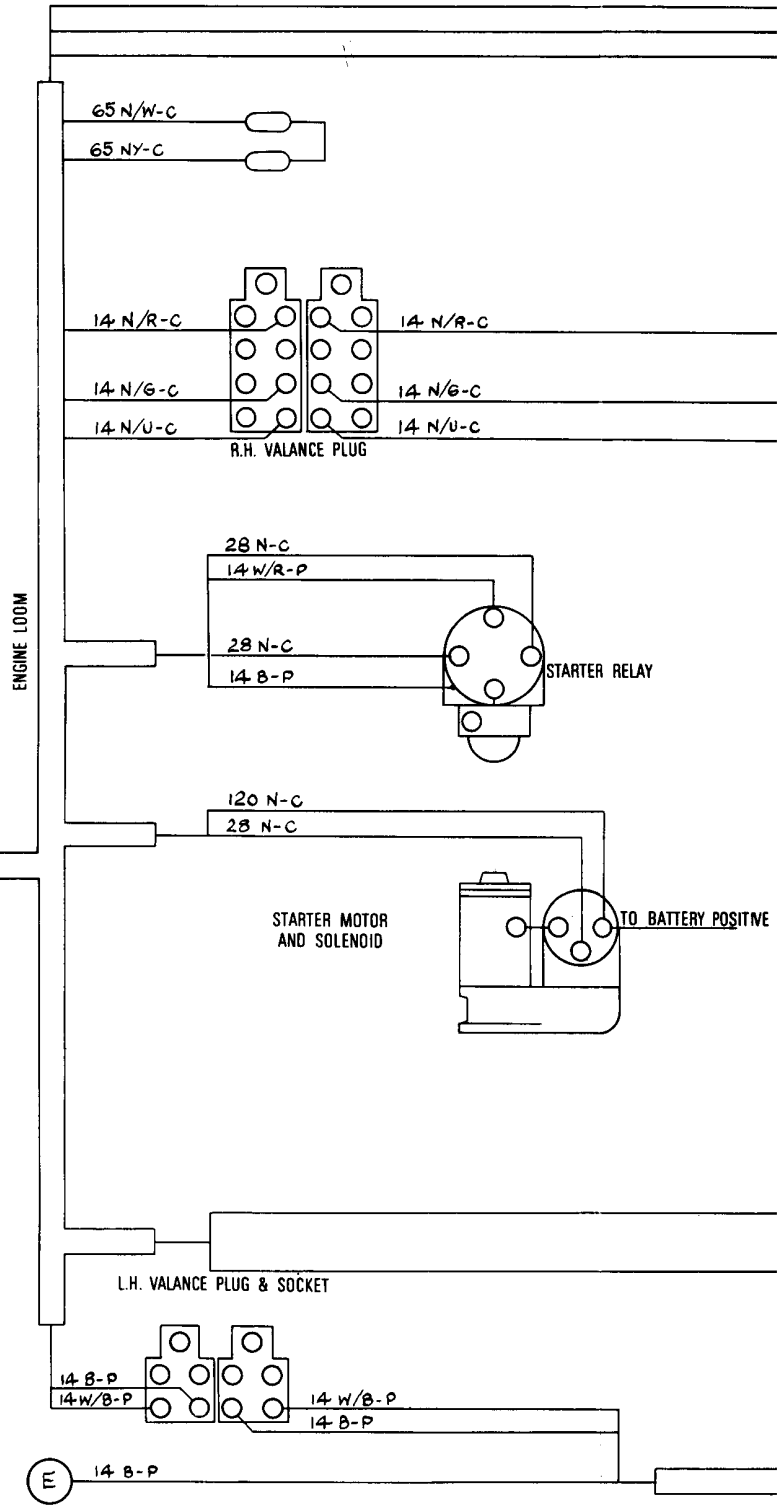
BLUE BASE WITH PURPLE TRACER - PLASTIC COVERED

FIRST COLOUR AS BASE

SECOND COLOUR AS TRACER

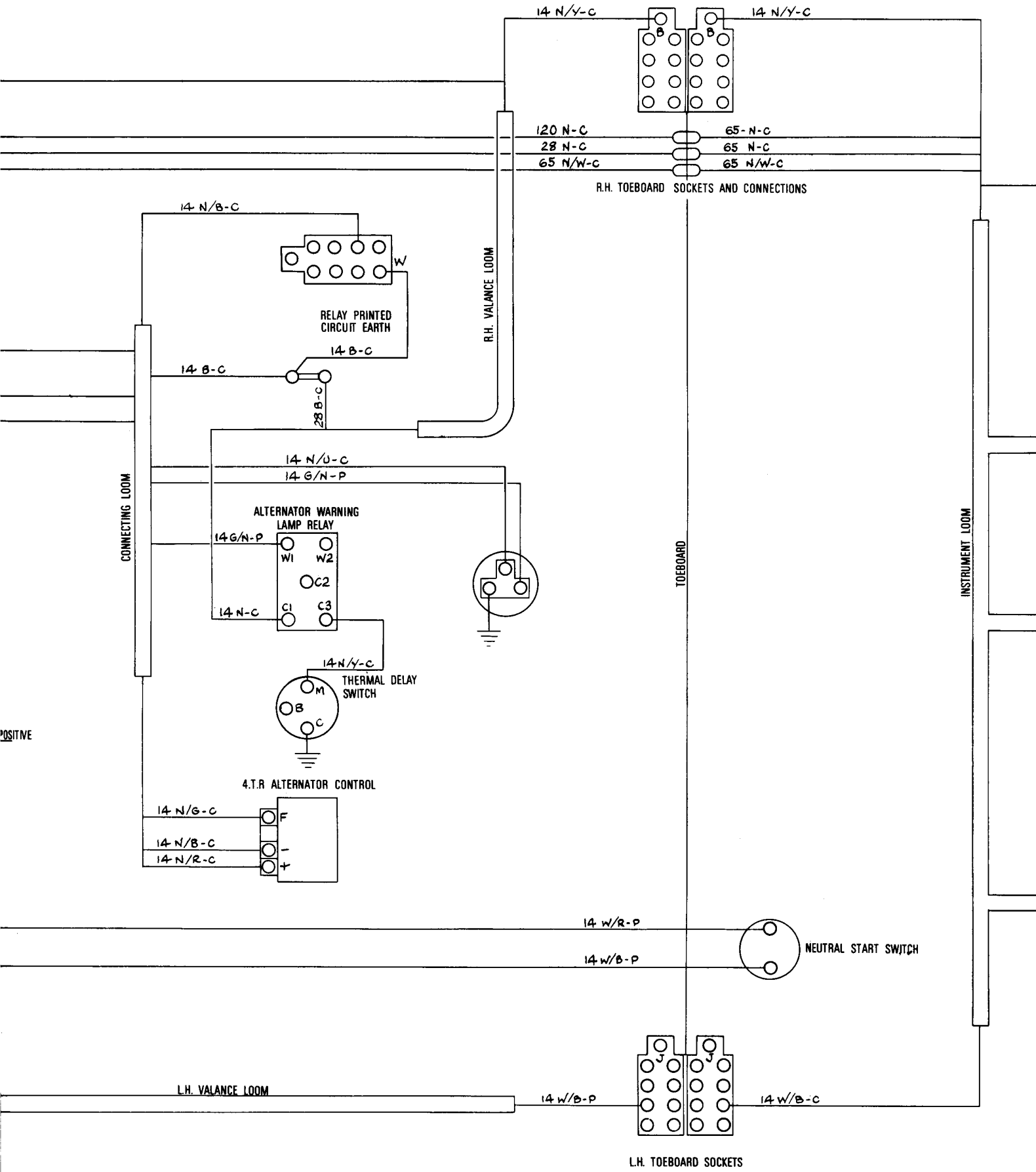
SUFFIX P - PLASTIC COVERED CABLE

SUFFIX C - COTTON COVERED CABLE



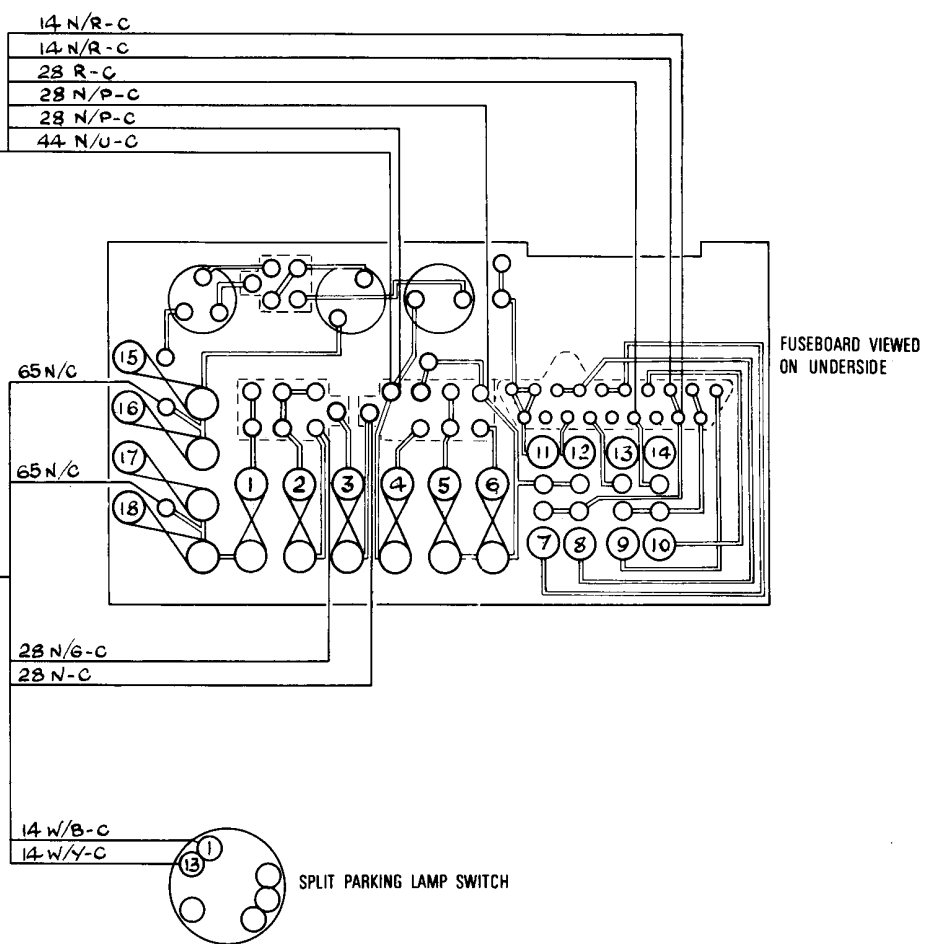
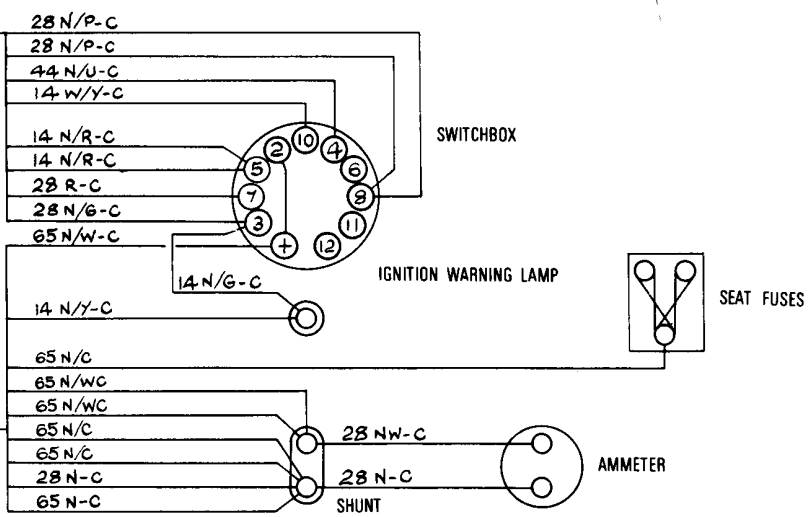
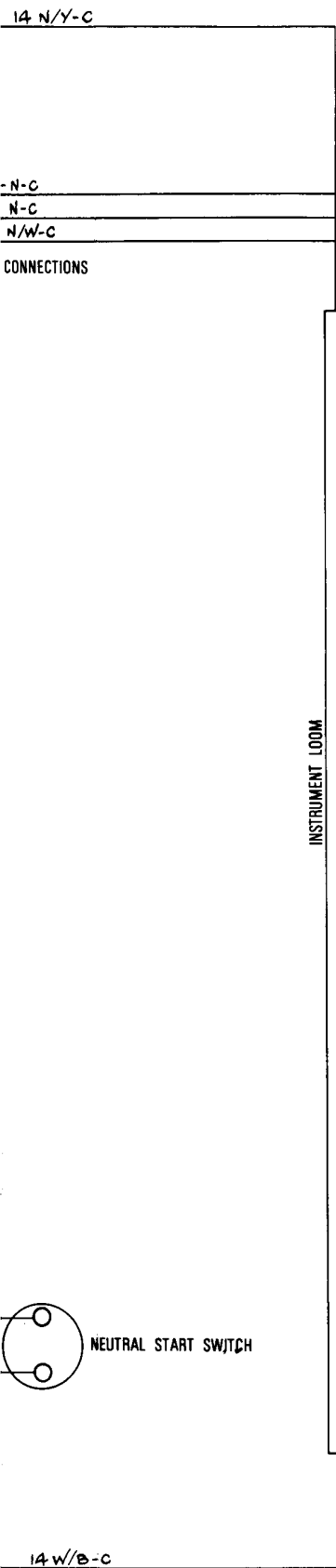
14 B-P

L.H. VALANCE EARTH POINT



POSITIVE

L.H. TOEBOARD SOCKETS





PRACTICAL WIRING DIAGRAM

SHEET 6

AIR CONDITIONING UNIT

ROLLS-ROYCE SILVER SHADOW

AND

BENTLEY T SERIES

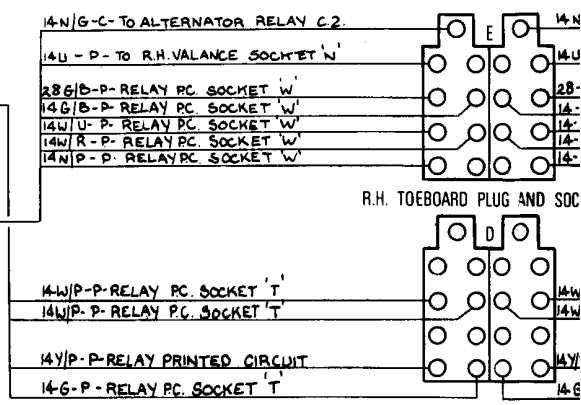
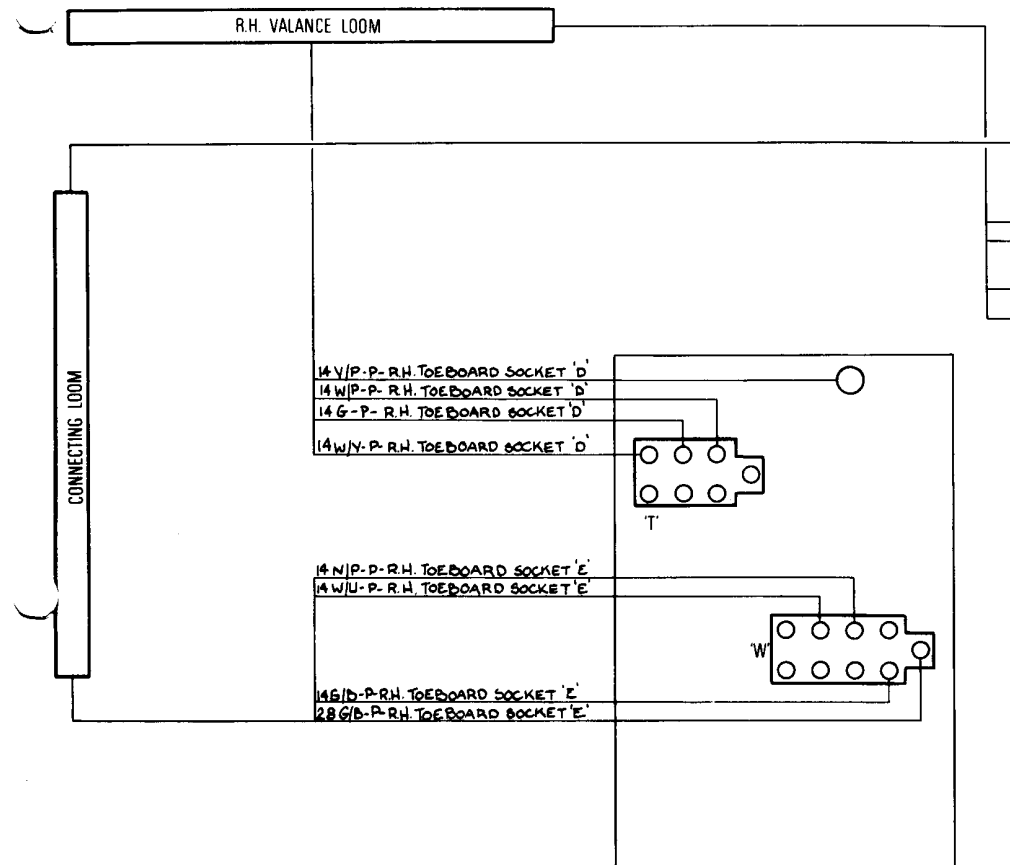
LEFT-HAND DRIVE CARS

PRIOR TO CAR SERIAL NUMBER SRX 6000

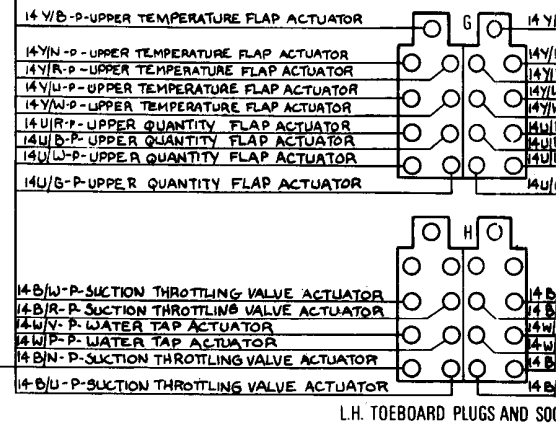
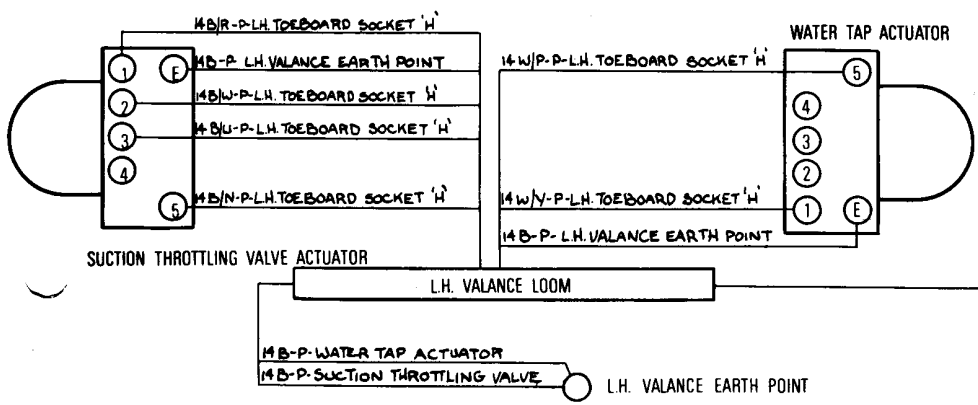
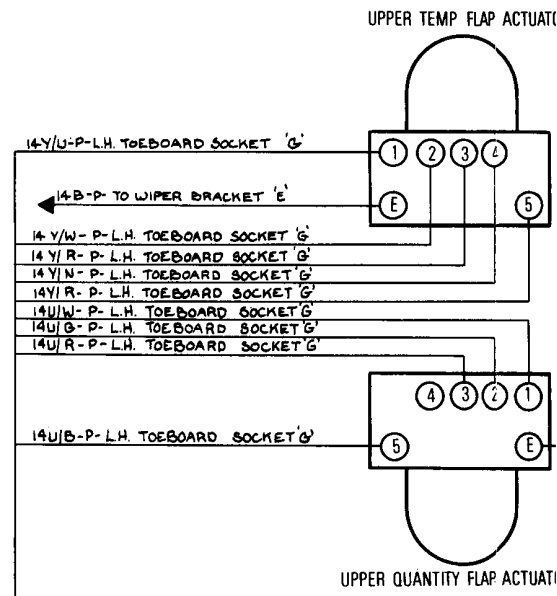
TSD Publication 2571

© Rolls-Royce Limited 1969

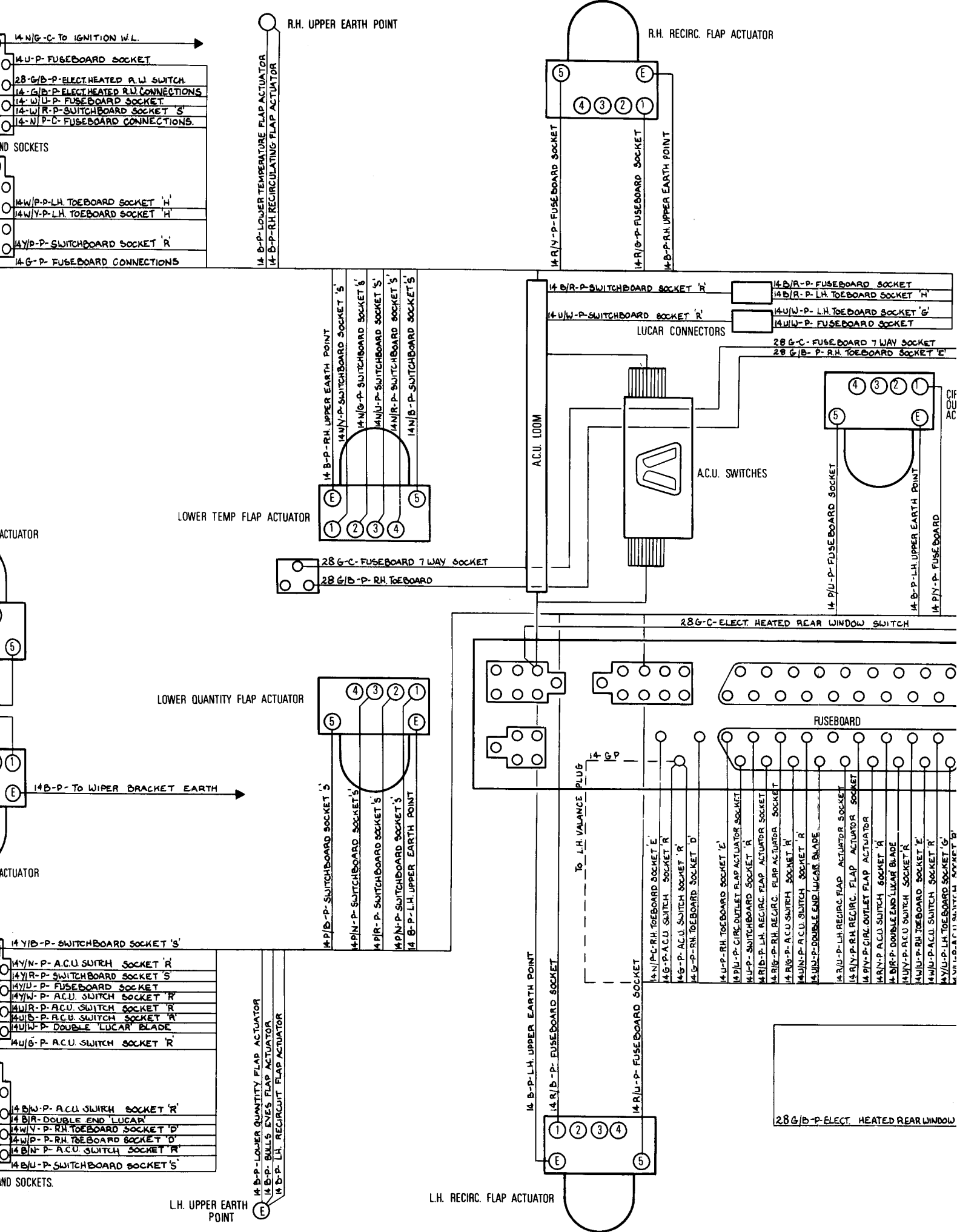
Rolls-Royce policy is one of continuous engineering improvement and the right is reserved to revise the contents of this publication without prior notice.



RELAY PRINTED CIRCUIT BOARD



L.H. TOEBOARD PLUGS AND SOC



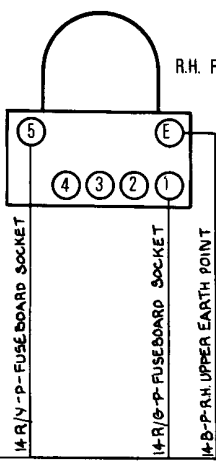
- 14 N/G-C- TO IGNITION W.L.
- 14 U-P- FUSEBOARD SOCKET
- 28 G/B-P- ELECT. HEATED R.W. SWITCH
- 14 G/B-P- ELECT. HEATED R.W. CONNECTIONS
- 14 W/P- FUSEBOARD SOCKET
- 14 W/R-P- SWITCHBOARD SOCKET 'S'
- 14 N/P-C- FUSEBOARD CONNECTIONS

- AND SOCKETS
- 14 W/P-P- L.H. TOEBOARD SOCKET 'H'
 - 14 W/Y-P- L.H. TOEBOARD SOCKET 'H'
 - 14 Y/P-P- SWITCHBOARD SOCKET 'R'
 - 14 G-P- FUSEBOARD CONNECTIONS

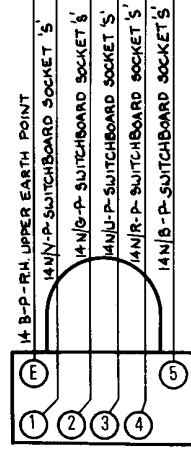
R.H. UPPER EARTH POINT

R.H. RECIRC. FLAP ACTUATOR

14 B-P- LOWER TEMPERATURE FLAP ACTUATOR
14 B-P- RH RECIRCULATING FLAP ACTUATOR



14 R/N-P- FUSEBOARD SOCKET
14 R/B-P- FUSEBOARD SOCKET
14 B-P- RH UPPER EARTH POINT



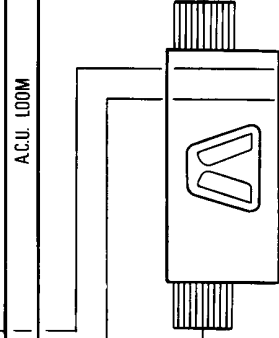
LOWER TEMP FLAP ACTUATOR

28 G-C- FUSEBOARD 7 WAY SOCKET
28 G/B-P- RH TOEBOARD

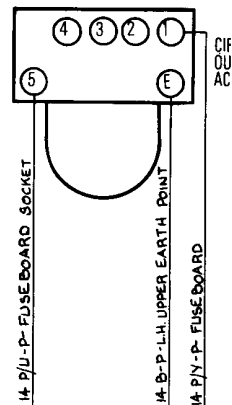
14 B/R-P- SWITCHBOARD SOCKET 'R'
14 U/W-P- SWITCHBOARD SOCKET 'R'
14 B/R-P- FUSEBOARD SOCKET
14 B/R-P- L.H. TOEBOARD SOCKET 'H'
14 U/W-P- L.H. TOEBOARD SOCKET 'G'
14 U/W-P- FUSEBOARD SOCKET

LUCAR CONNECTORS

28 G-C- FUSEBOARD 7 WAY SOCKET
28 G/B-P- RH TOEBOARD SOCKET 'E'

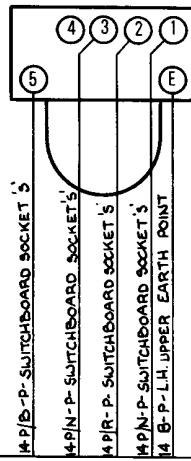


ACU SWITCHES



C/OU AC
14 P/U-P- FUSEBOARD SOCKET
14 B-P- L.H. UPPER EARTH POINT
14 P/U-P- FUSEBOARD

LOWER QUANTITY FLAP ACTUATOR



14 B-P- TO WIPER BRACKET EARTH

14 P/B-P- SWITCHBOARD SOCKET 'S'
14 P/N-P- SWITCHBOARD SOCKET 'S'
14 P/R-P- SWITCHBOARD SOCKET 'S'
14 P/N-P- SWITCHBOARD SOCKET 'S'
14 B-P- L.H. UPPER EARTH POINT

ACTUATOR

ACTUATOR

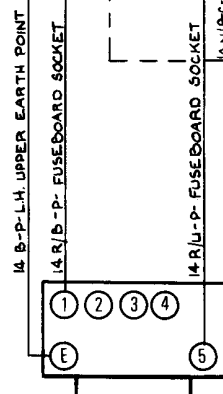
- 14 Y/B-P- SWITCHBOARD SOCKET 'S'
- 14 Y/N-P- A.C.U. SWITCH SOCKET 'R'
- 14 Y/R-P- SWITCHBOARD SOCKET 'S'
- 14 Y/U-P- FUSEBOARD SOCKET
- 14 Y/W-P- A.C.U. SWITCH SOCKET 'R'
- 14 Y/R-P- A.C.U. SWITCH SOCKET 'R'
- 14 W/B-P- A.C.U. SWITCH SOCKET 'R'
- 14 W/P- DOUBLE 'LUCAR' BLADE
- 14 W/G-P- A.C.U. SWITCH SOCKET 'R'

- AND SOCKETS.
- 14 B/W-P- A.C.U. SWITCH SOCKET 'R'
 - 14 B/R- DOUBLE END 'LUCAR'
 - 14 W/V-P- RH TOEBOARD SOCKET 'D'
 - 14 W/P-P- RH TOEBOARD SOCKET 'D'
 - 14 B/N-P- A.C.U. SWITCH SOCKET 'R'
 - 14 B/U-P- SWITCHBOARD SOCKET 'S'

L.H. UPPER EARTH POINT

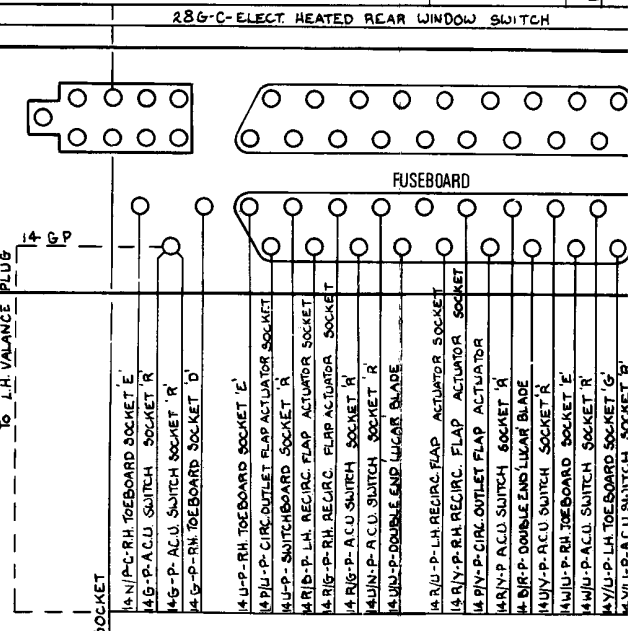
14 B-P- LOWER QUANTITY FLAP ACTUATOR
14 B-P- BULLS EYES FLAP ACTUATOR
14 B-P- L.H. RECIRCULATING FLAP ACTUATOR

L.H. RECIRC. FLAP ACTUATOR



14 B-P- L.H. UPPER EARTH POINT
14 R/B-P- FUSEBOARD SOCKET
14 R/U-P- FUSEBOARD SOCKET

To L.H. VALANCE PLUG

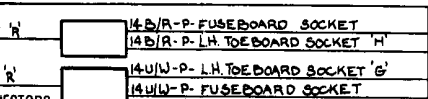
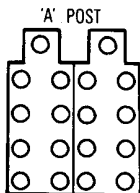


FUSEBOARD

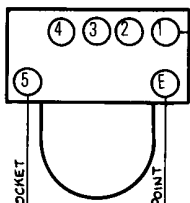
28 G-C- ELECT. HEATED REAR WINDOW SWITCH

28 G/B-P- ELECT. HEATED REAR WINDOW

C. FLAP ACTUATOR



28 G-C-FUSE BOARD 7 WAY SOCKET
28 G/B-P-RH TOEBOARD SOCKET 'E'

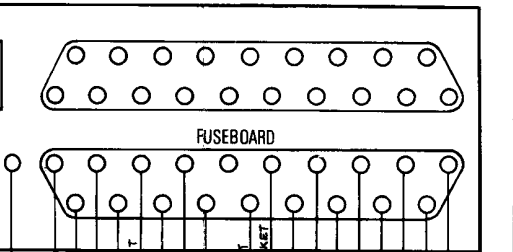


CIRCUIT FACIA
OUTLET FLAP
ACTUATOR

14 P/U-P-FUSEBOARD SOCKET
14 B-P-LH UPPER EARTH POINT
14 P/N-P-FUSEBOARD

AC.U. SWITCHES

16-C-ELECT. HEATED REAR WINDOW SWITCH

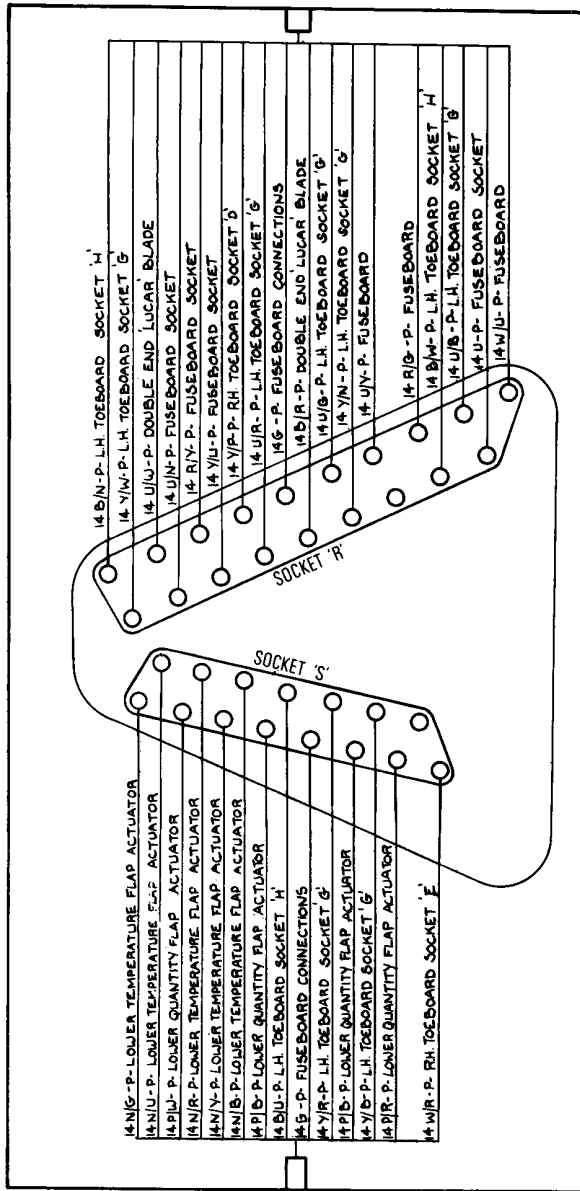


FUSEBOARD

14 B-P-RH TOEBOARD SOCKET 'D'
14 P/U-P-CIRC. OUTLET FLAP ACTUATOR SOCKET
14 U-P-SWITCHBOARD SOCKET 'R'
14 R/D-P-LH RECIRC. FLAP ACTUATOR SOCKET
14 R/G-P-RH RECIRC. FLAP ACTUATOR SOCKET
14 R/G-P-AC.U. SWITCH SOCKET 'R'
14 U/W-P-AC.U. SWITCH SOCKET 'R'
14 W/U-P-DOUBLE END LUGAR BLADE
14 R/U-P-LH RECIRC. FLAP ACTUATOR SOCKET
14 R/V-P-RH RECIRC. FLAP ACTUATOR SOCKET
14 P/N-P-CIRC. OUTLET FLAP ACTUATOR
14 R/N-P-AC.U. SWITCH SOCKET 'R'
14 U/W-P-DOUBLE END LUGAR BLADE
14 U/W-P-RH TOEBOARD SOCKET 'E'
14 W/U-P-AC.U. SWITCH SOCKET 'R'
14 Y/U-P-LH TOEBOARD SOCKET 'G'
14 Y/U-P-AC.U. SWITCH SOCKET 'R'

INSTRUMENT LOOM

AIR CONDITIONING UNIT SWITCHES ENLARGED VIEW



14 B/N-P-LH TOEBOARD SOCKET 'H'
14 Y/W-P-LH TOEBOARD SOCKET 'G'
14 U/W-P-DOUBLE END LUGAR BLADE
14 U/W-P-FUSEBOARD SOCKET
14 R/Y-P-FUSEBOARD SOCKET
14 Y/U-P-FUSEBOARD SOCKET
14 U/R-P-LH TOEBOARD SOCKET 'G'
14 G-P-FUSEBOARD CONNECTIONS
14 B/R-P-DOUBLE END LUGAR BLADE
14 U/B-P-LH TOEBOARD SOCKET 'G'
14 Y/N-P-LH TOEBOARD SOCKET 'G'
14 U/Y-P-FUSEBOARD
14 R/B-P-FUSEBOARD
14 B/M-P-LH TOEBOARD SOCKET 'H'
14 U/S-P-LH TOEBOARD SOCKET 'G'
14 U-P-FUSEBOARD SOCKET
14 W/U-P-FUSEBOARD

14 N/G-P-LOWER TEMPERATURE FLAP ACTUATOR
14 P/U-P-LOWER TEMPERATURE FLAP ACTUATOR
14 N/R-P-LOWER TEMPERATURE FLAP ACTUATOR
14 N/Y-P-LOWER TEMPERATURE FLAP ACTUATOR
14 P/B-P-LOWER TEMPERATURE FLAP ACTUATOR
14 B/U-P-LH TOEBOARD SOCKET 'H'
14 B-P-FUSEBOARD CONNECTIONS
14 Y/R-P-LH TOEBOARD SOCKET 'G'
14 P/B-P-LOWER TEMPERATURE FLAP ACTUATOR
14 P/R-P-LOWER TEMPERATURE FLAP ACTUATOR
14 W/R-P-RH TOEBOARD SOCKET 'E'

28 G/B-P-LH 'A' POST PLUG

DEMISTER CONNECTOR

16 G/P-P-LH 'A' POST LOWER SOCKET

ELECTRICALLY HEATED REAR WINDOW

L.H. BODY LOOM

KEY TO DIAGRAM

CABLE COLOUR CODE

B = BLACK	P = PURPLE	U = BLUE
G = GREEN	R = RED	W = WHITE
N = BROWN	S = SLATE	Y = YELLOW

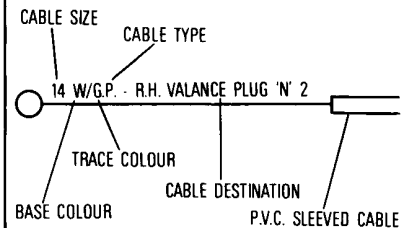
CABLE SIZES

14 = 14/.010	28 = 28/.012	120 = 120/.012
44 = 44/.012	65 = 65/.012	

CABLE TYPE

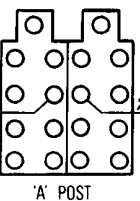
'C' DENOTES COTTON COVERED CABLE
'P' DENOTES PLASTIC COVERED CABLE

EXAMPLE



28 G/B-P-ELECT. HEATED REAR WINDOW

28 G/P-P-ELEC. HEATED REAR WINDOW



'A' POST

PRACTICAL WIRING DIAGRAM

SHEET 7

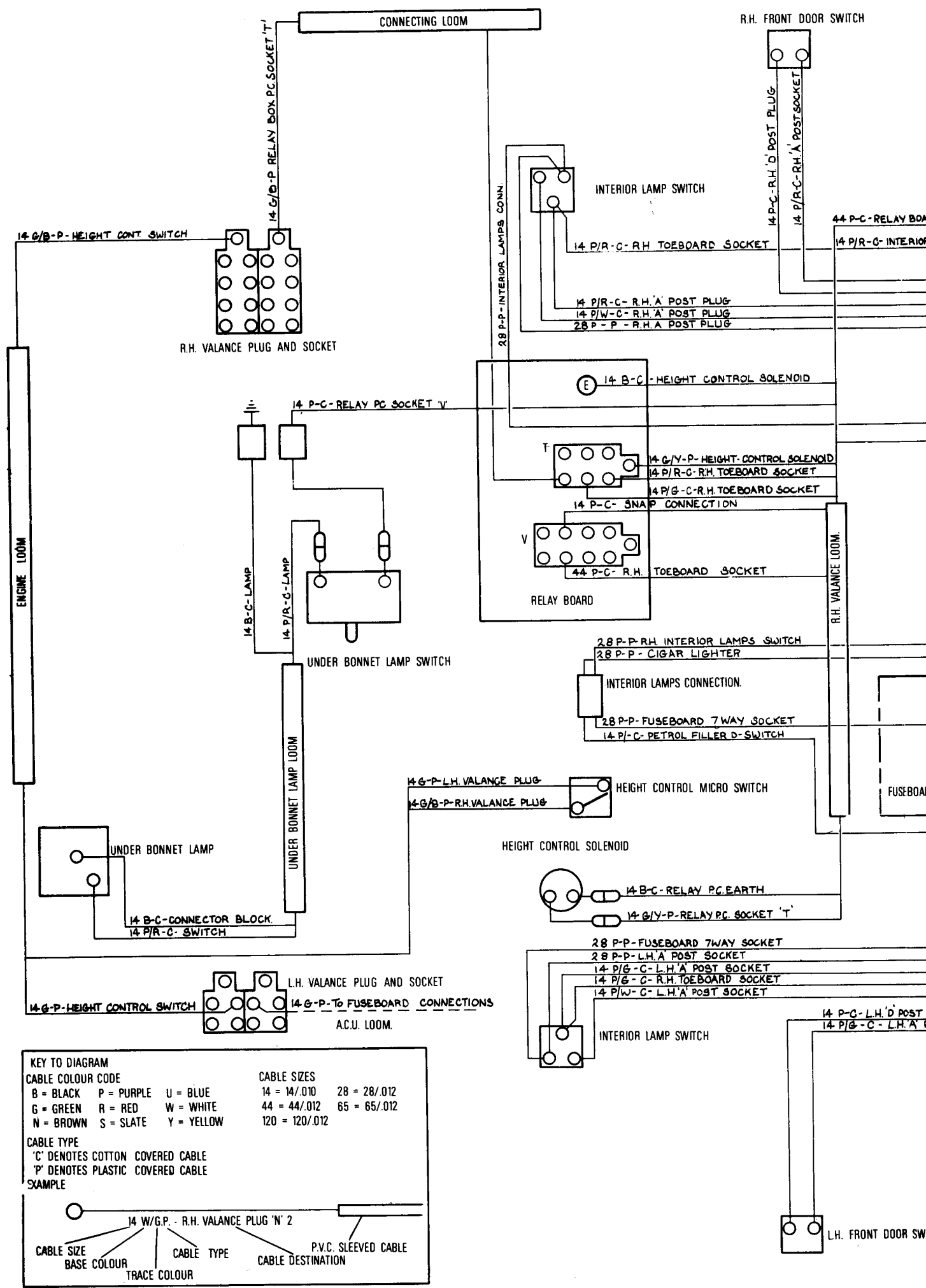
INTERIOR LIGHTING

ROLLS-ROYCE SILVER SHADOW AND BENTLEY T SERIES LEFT-HAND DRIVE CARS PRIOR TO CAR SERIAL NUMBER SRX 6000

TSD Publication 2571

© Rolls-Royce Limited 1969

Rolls-Royce policy is one of continuous engineering improvement and the right is reserved to revise the contents of this publication without prior notice.



KEY TO DIAGRAM

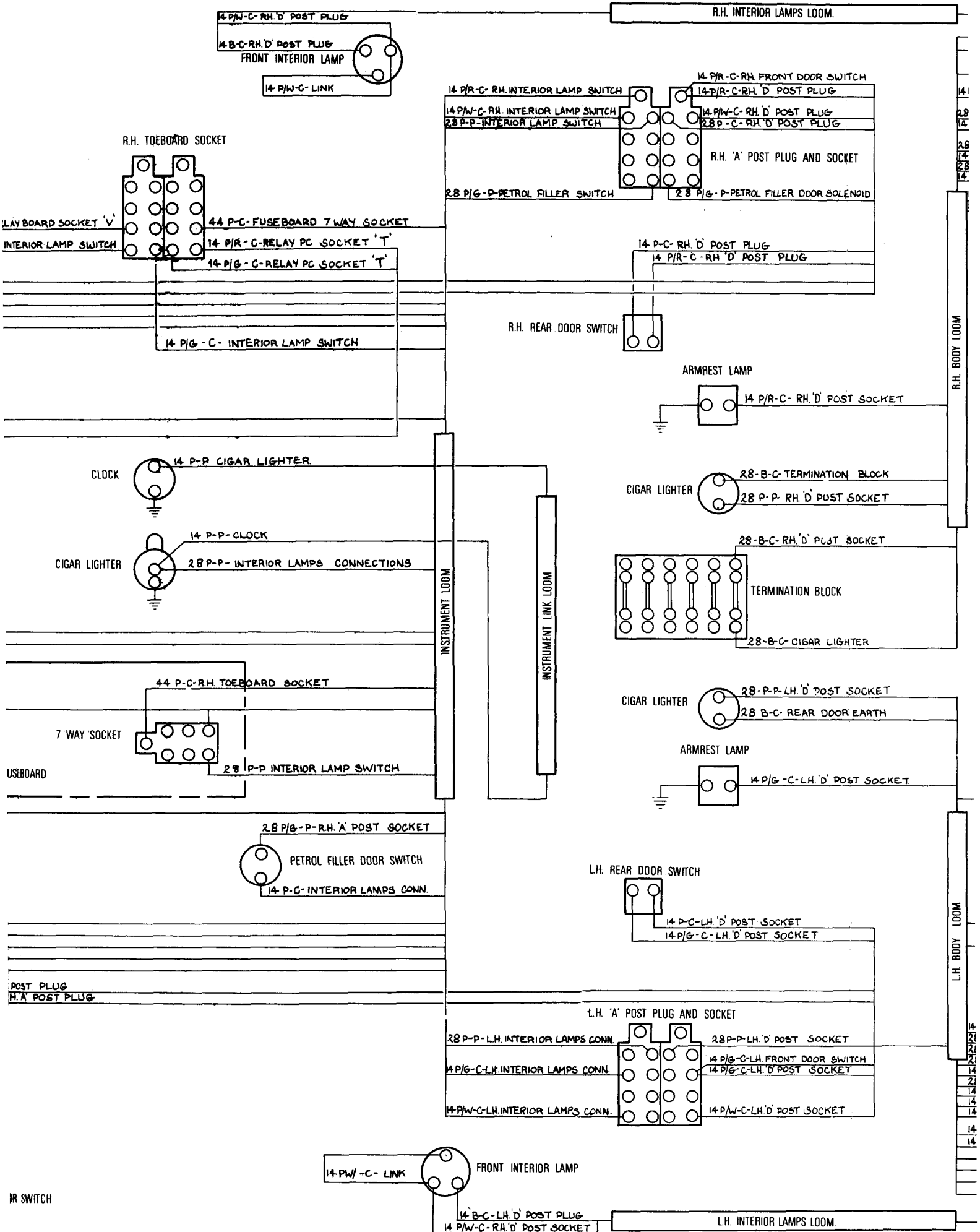
CABLE COLOUR CODE		CABLE SIZES	
B = BLACK	P = PURPLE	U = BLUE	14 = 14/010
G = GREEN	R = RED	W = WHITE	28 = 28/012
N = BROWN	S = SLATE	Y = YELLOW	44 = 44/012
			65 = 65/012
			120 = 120/012

CABLE TYPE
 'C' DENOTES COTTON COVERED CABLE
 'P' DENOTES PLASTIC COVERED CABLE

EXAMPLE

14 W/G.P. - R.H. VALANCE PLUG 'N' 2

CABLE SIZE: 14
 BASE COLOUR: W (White)
 CABLE TYPE: G.P. (Green Plastic)
 CABLE DESTINATION: R.H. VALANCE PLUG 'N' 2
 TRACE COLOUR: (None)
 P.V.C. SLEEVED CABLE



R.H. INTERIOR LAMPS LOOM.

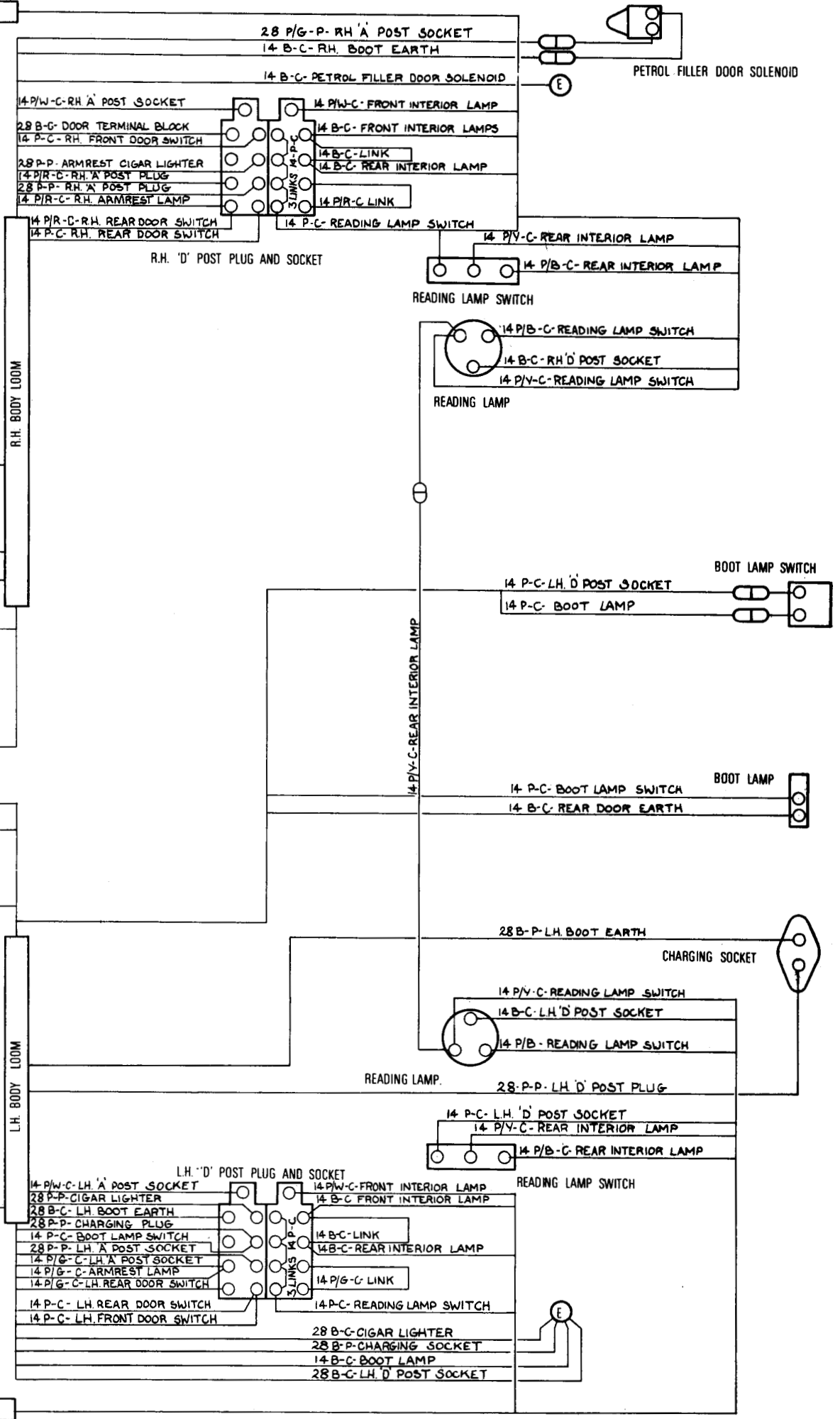
14 P/R-C-RH FRONT DOOR SWITCH
 14 P/R-C-RH 'D' POST PLUG
 14 P/W-C-RH 'D' POST PLUG
 14 P-C-RH 'D' POST PLUG
 R.H. 'A' POST PLUG AND SOCKET
 14 P-PETROL FILLER DOOR SOLENOID
 POST PLUG
 H 'D' POST PLUG

ST LAMP
 14 P/R-C-RH 'D' POST SOCKET
 28 B-C-TERMINATION BLOCK
 28 P-P-RH 'D' POST SOCKET
 28 B-C-RH 'D' POST SOCKET
 TERMINATION BLOCK
 28 B-C-CIGAR LIGHTER

28 P-P-LH 'D' POST SOCKET
 28 B-C-REAR DOOR EARTH
 ST LAMP
 14 P/G-C-LH 'D' POST SOCKET

'D' POST SOCKET
 LH 'D' POST SOCKET
 SOCKET
 28 P-P-LH 'D' POST SOCKET
 14 P/G-C-LH FRONT DOOR SWITCH
 14 P/G-C-LH 'D' POST SOCKET
 14 P/W-C-LH 'D' POST SOCKET

L.H. INTERIOR LAMPS LOOM.



PRACTICAL WIRING DIAGRAM

SHEET 8

GEAR RANGE SELECTOR

ROLLS-ROYCE SILVER SHADOW

AND

BENTLEY T SERIES

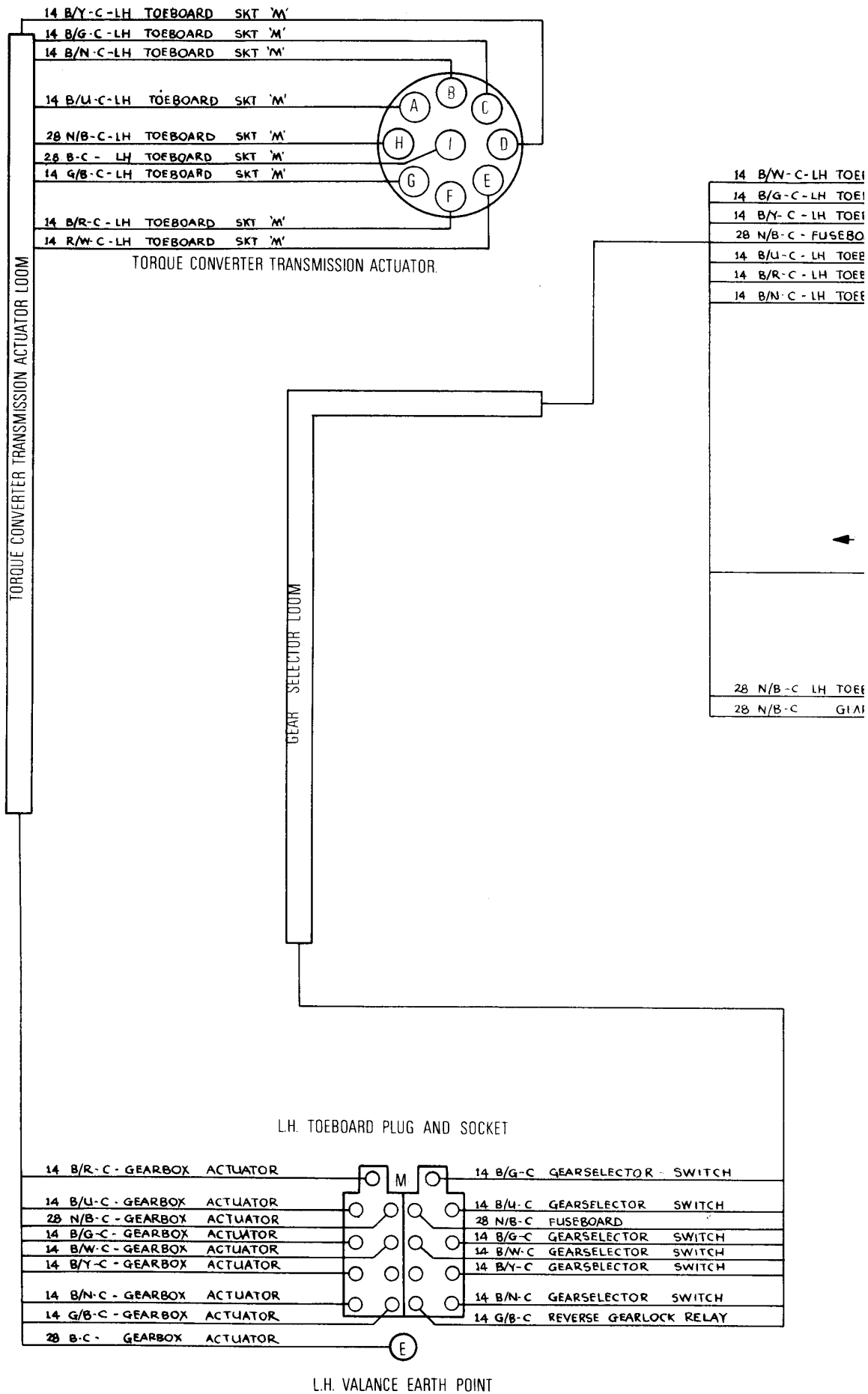
LEFT-HAND DRIVE CARS

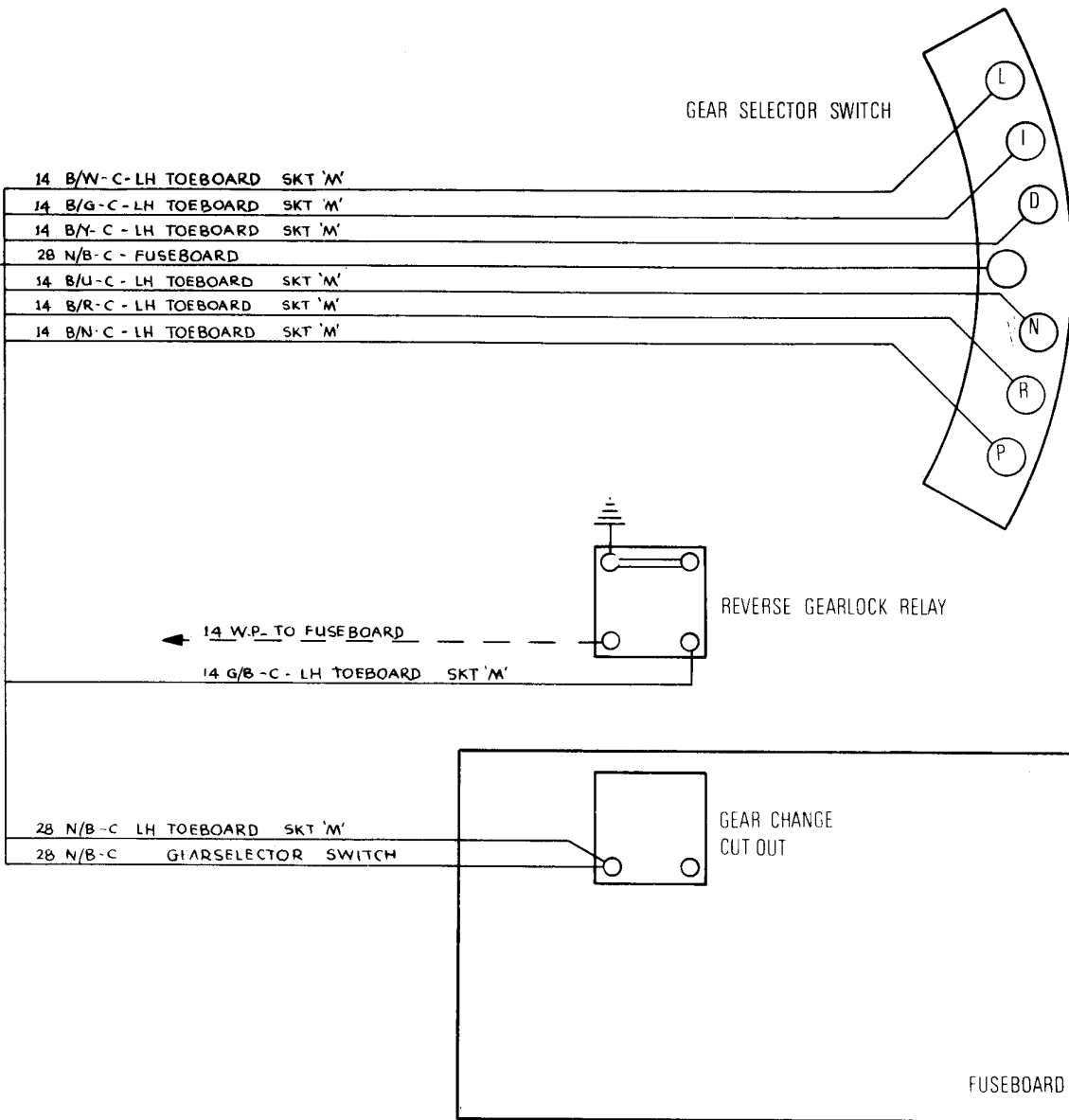
PRIOR TO CAR SERIAL NUMBER SRX 6000

TSD Publication 2571

© Rolls-Royce Limited 1969

Rolls-Royce policy is one of continuous engineering improvement and the right is reserved to revise the contents of this publication without prior notice.





R - SWITCH
R SWITCH
R SWITCH
R SWITCH
R SWITCH
R SWITCH
R SWITCH
LOCK RELAY

KEY TO DIAGRAM

CABLE COLOUR CODE

B = BLACK	P = PURPLE	U = BLUE
G = GREEN	R = RED	W = WHITE
N = BROWN	S = SLATE	Y = YELLOW

CABLE SIZE

14 = 14/.010	28 = 28/.012	120 = 120/.012
44 = 44/.012	65 = 65/.012	

CABLE TYPE

'C' DENOTES COTTON COVERED CABLE

'P' DENOTES PLASTIC COVERED CABLE

EXAMPLE

14 W/G.P. - R.H. VALANCE PLUG 'N' 2

CABLE SIZES

CABLE TYPE

TRACE COLOUR

CABLE DESTINATION

BASE COLOUR

P.V.C. SLEEVED CABLE

PRACTICAL WIRING DIAGRAM

SHEET 9

RADIO RECEIVER AND SPEAKERS

ROLLS-ROYCE SILVER SHADOW

AND

BENTLEY T SERIES

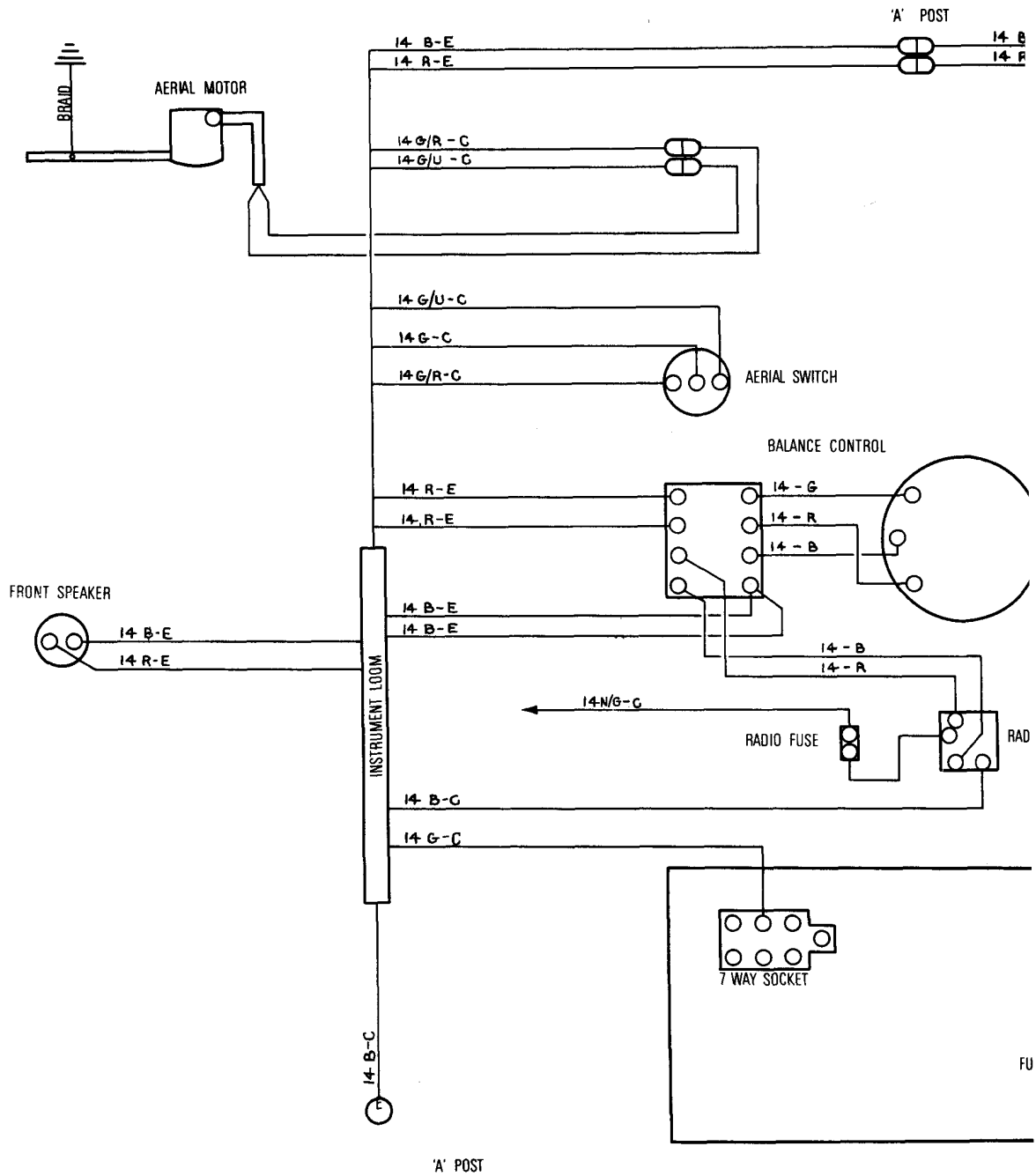
LEFT-HAND DRIVE CARS

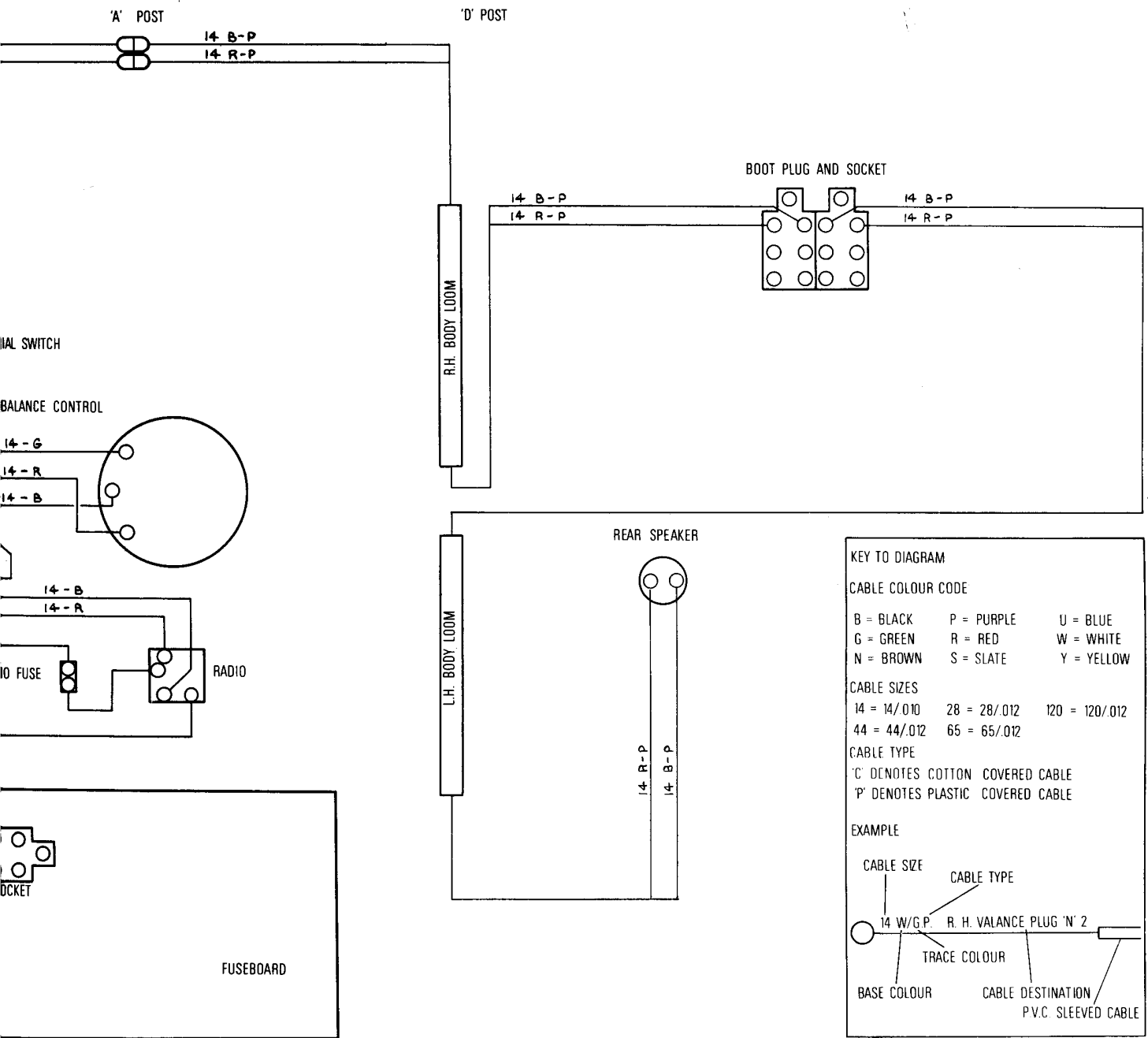
PRIOR TO CAR SERIAL NUMBER SRX 6000

TSD Publication 2571

© Rolls-Royce Limited 1969

Rolls-Royce policy is one of continuous engineering improvement and the right is reserved to revise the contents of this publication without prior notice.





'D' POST

PRACTICAL WIRING DIAGRAM

SHEET 10

DIRECTION INDICATORS & HAND BRAKE WARNING LAMP

ROLLS-ROYCE SILVER SHADOW
AND

BENTLEY T SERIES

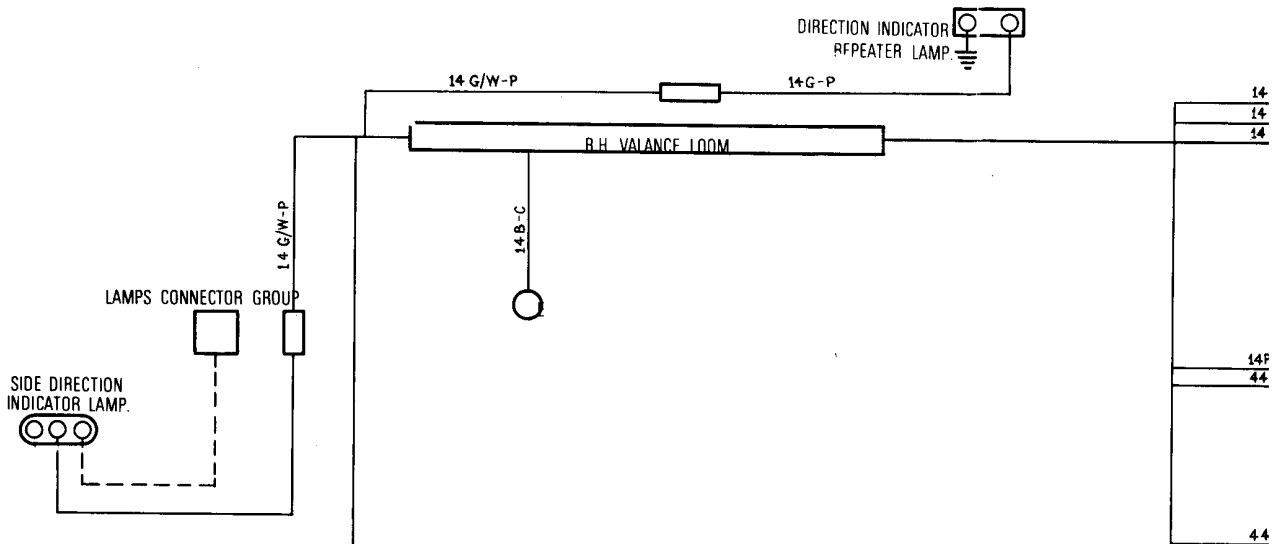
LEFT-HAND DRIVE CARS

PRIOR TO CAR SERIAL NUMBER SRX 6000

TSD Publication 2571

© Rolls-Royce Limited 1969

Rolls-Royce policy is one of continuous engineering improvement and the right is reserved to revise the contents of this publication without prior notice.



KEY TO DIAGRAM

CABLE COLOUR CODE

B = BLACK	P = PURPLE	U = BLUE
G = GREEN	R = RED	W = WHITE
N = BROWN	S = SLATE	Y = YELLOW

CABLE SIZE

14 = 14/.010	28 = 28/.012	120 = 120/.012
44 = 44/.012	65 = 65/.012	

'C' DENOTES COTTON COVERED CABLE
'P' DENOTES PLASTIC COVERED CABLE

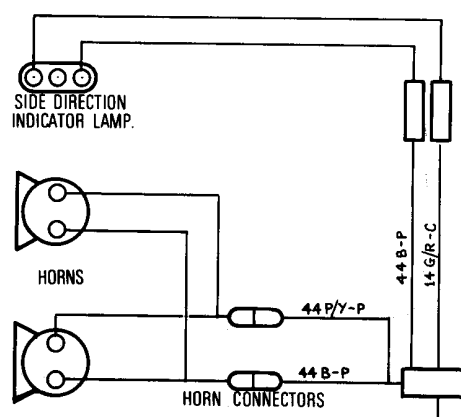
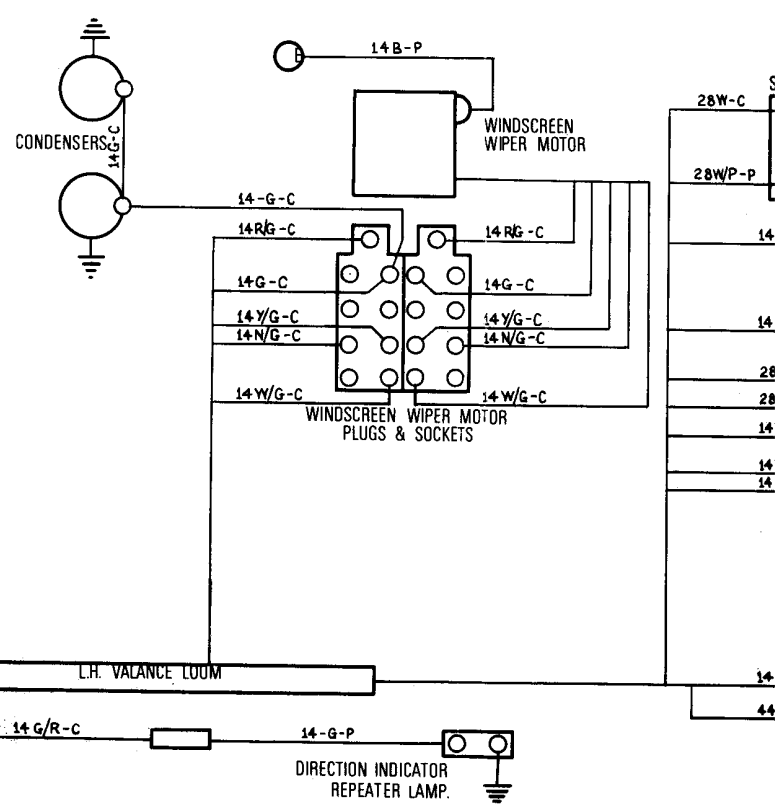
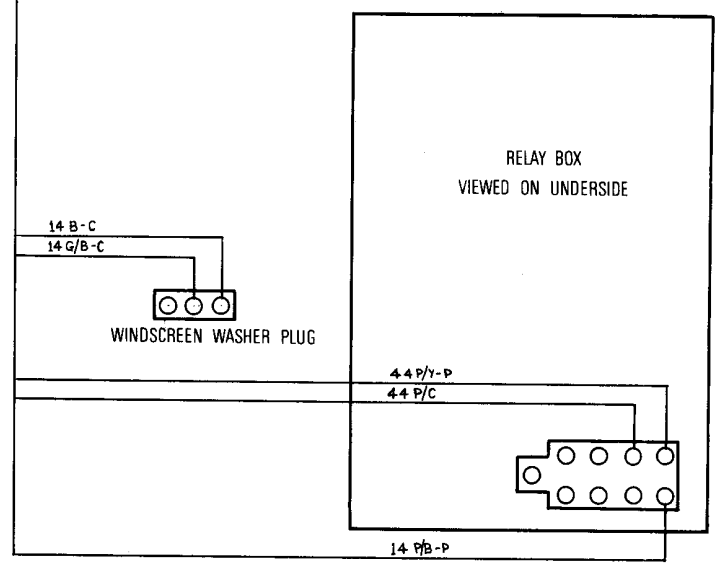
EXAMPLE

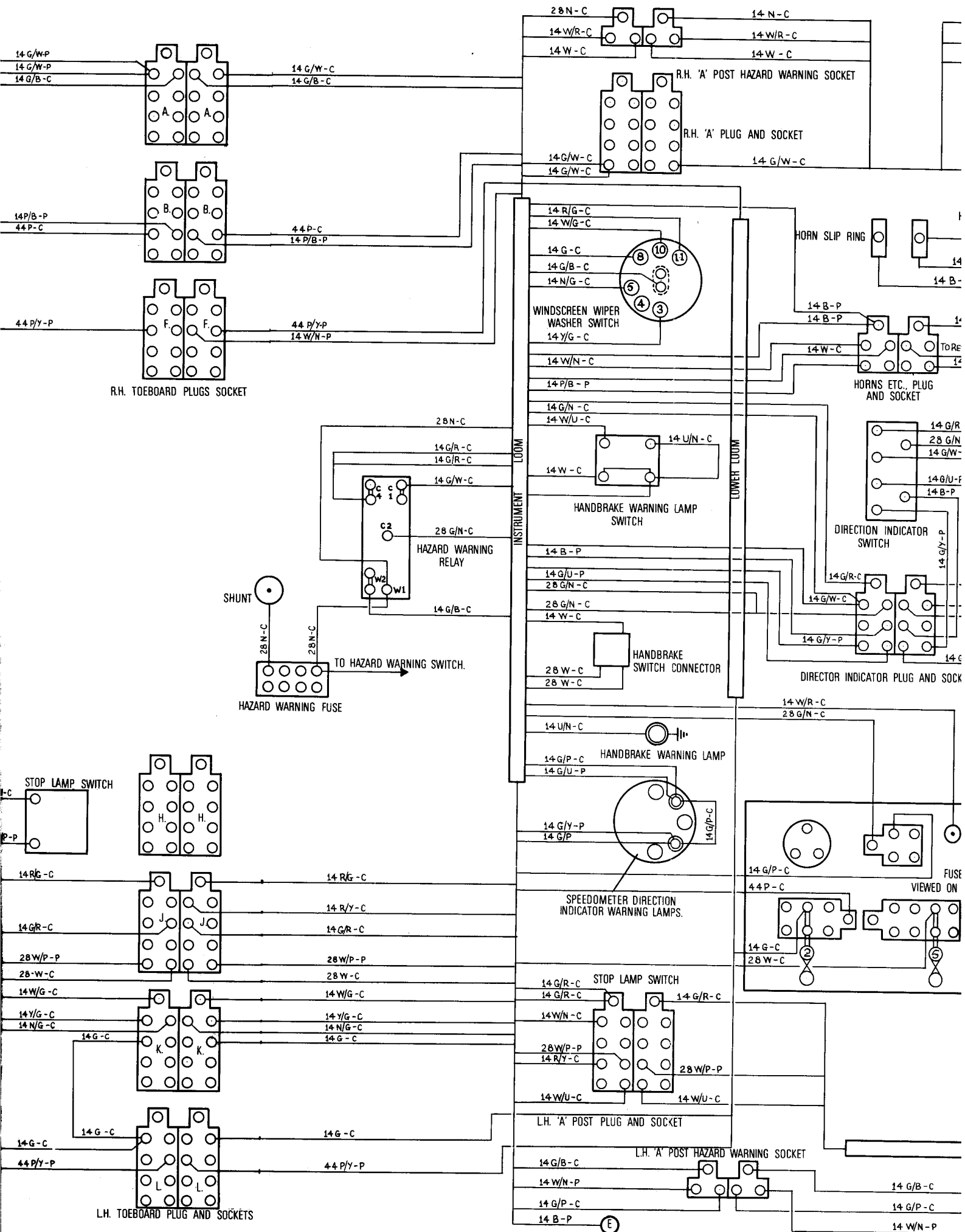
CABLE SIZES CABLE TYPE

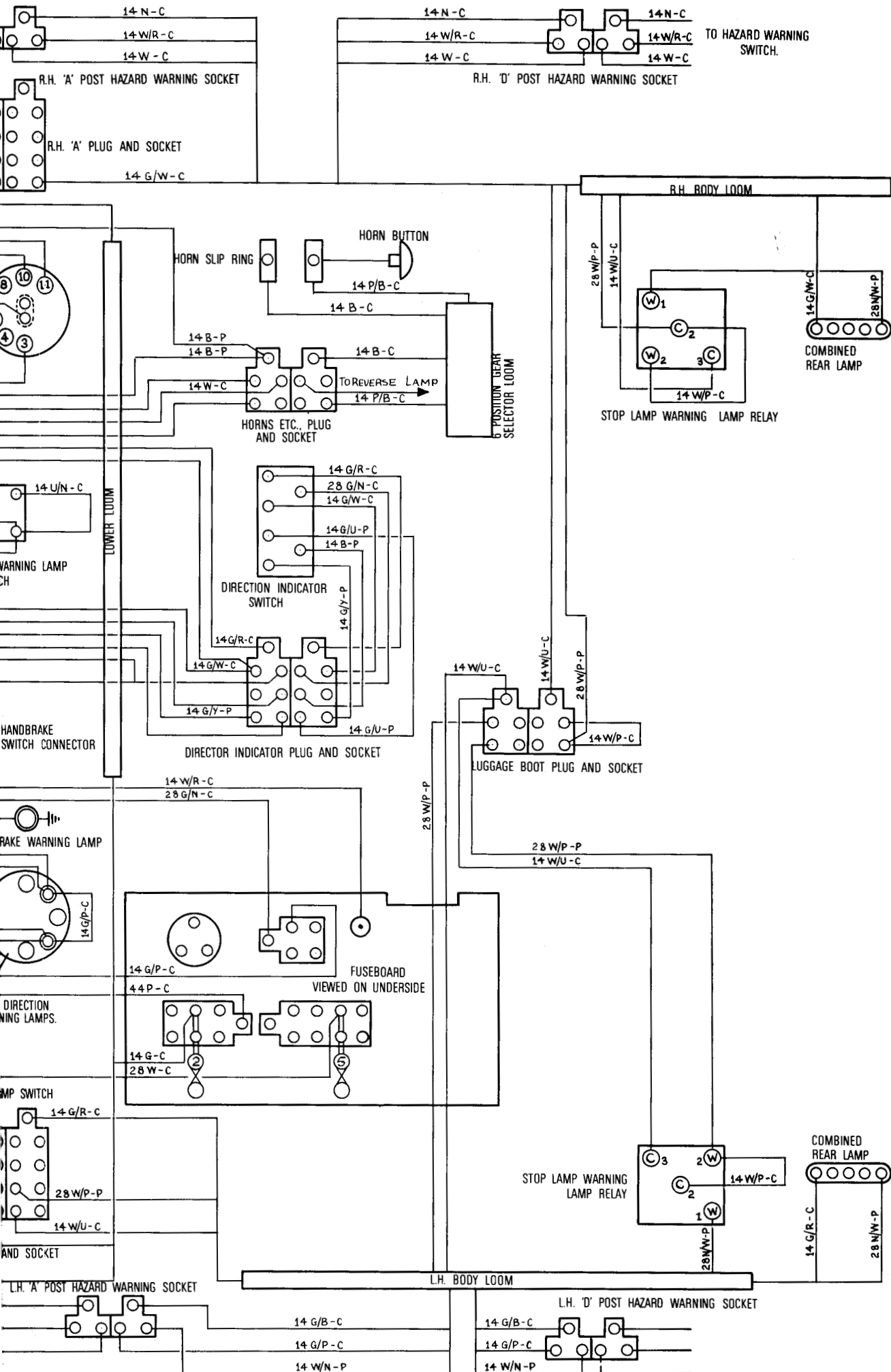
14 W/G.P. - R.H. VALANCE PLUG 'N' 2

TRACE COLOUR CABLE DESTINATION

BASE COLOUR P.V.C. SLEEVED CABLE







Section 8

RIGHT-HAND DRIVE LONG WHEELBASE CARS WITH DIVISION, FROM SERIAL NUMBER 6598

APPLICATION	SHEET No
Engines Looms, L.H. and R.H. Valance Looms and Gearchange Actuator Loom	1
L.H. and R.H. Body Looms, Door Looms and Refrigeration Looms	2
Main Distribution Loom, Air Conditioning Loom, Secondary Distribution Loom, Console Loom and Instrument Loom	3

PRACTICAL WIRING DIAGRAM

SHEET 1

ENGINE LOOM , L.H. & R.H. VALANCE LOOMS AND GEARCHANGE

ACTUATOR LOOM

ROLLS-ROYCE SILVER SHADOW

AND

BENTLEY T SERIES

RIGHT-HAND DRIVE LONG WHEELBASE CARS

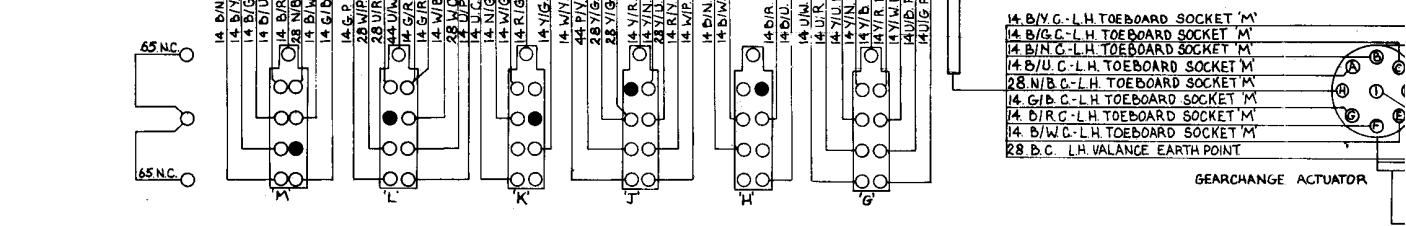
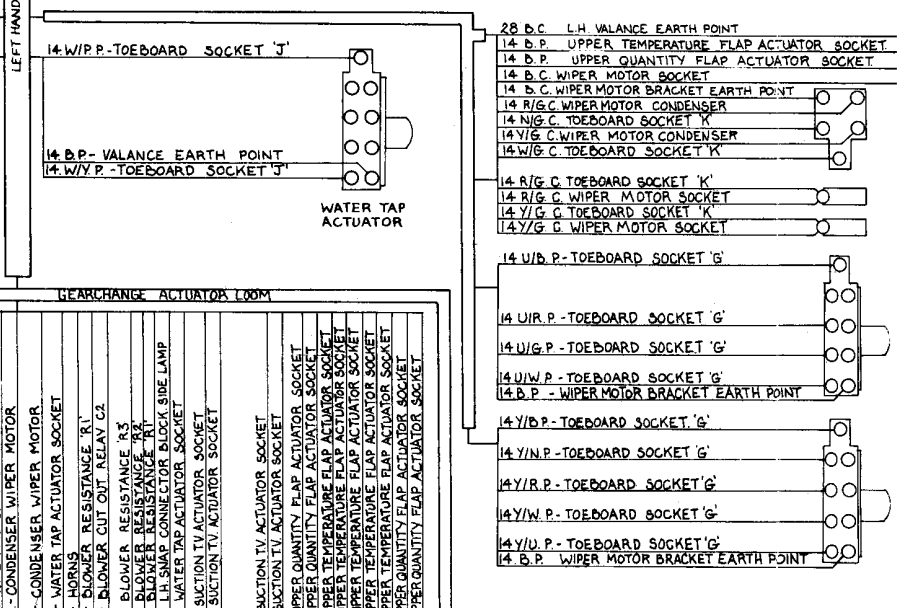
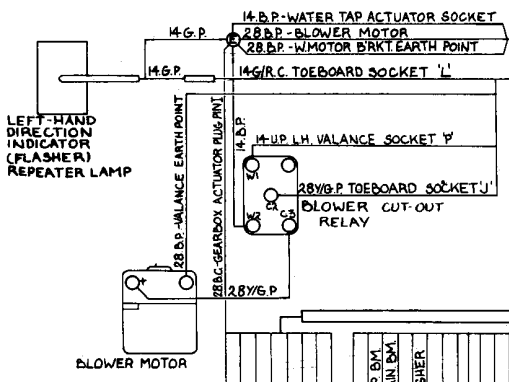
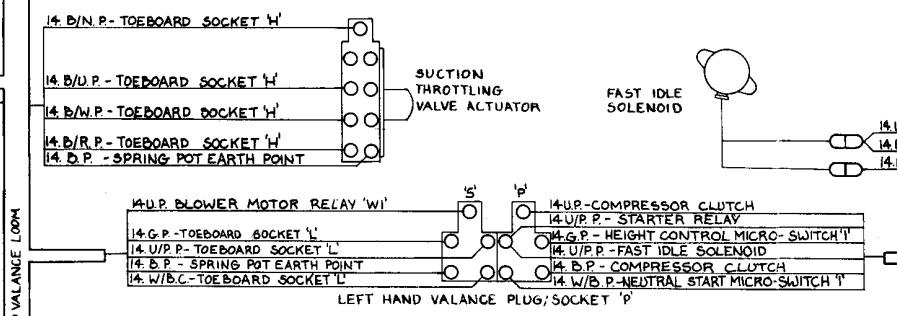
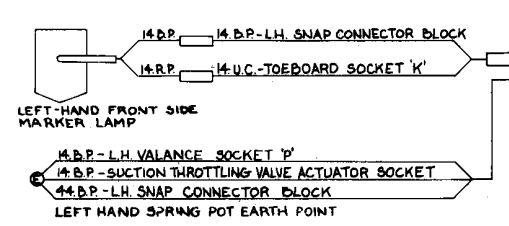
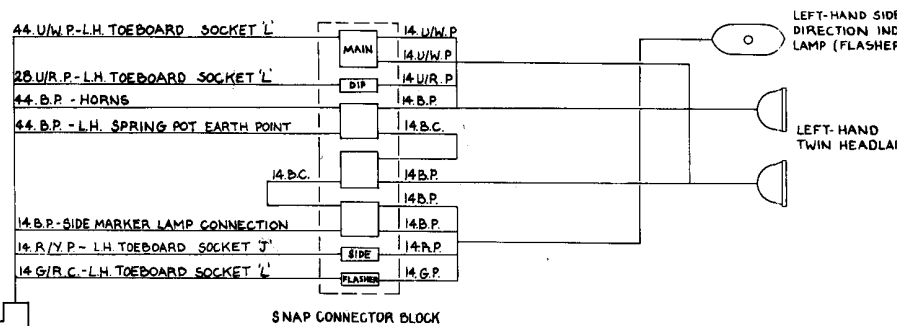
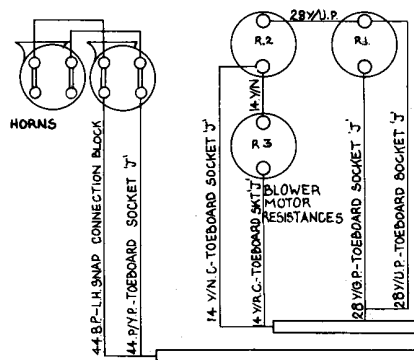
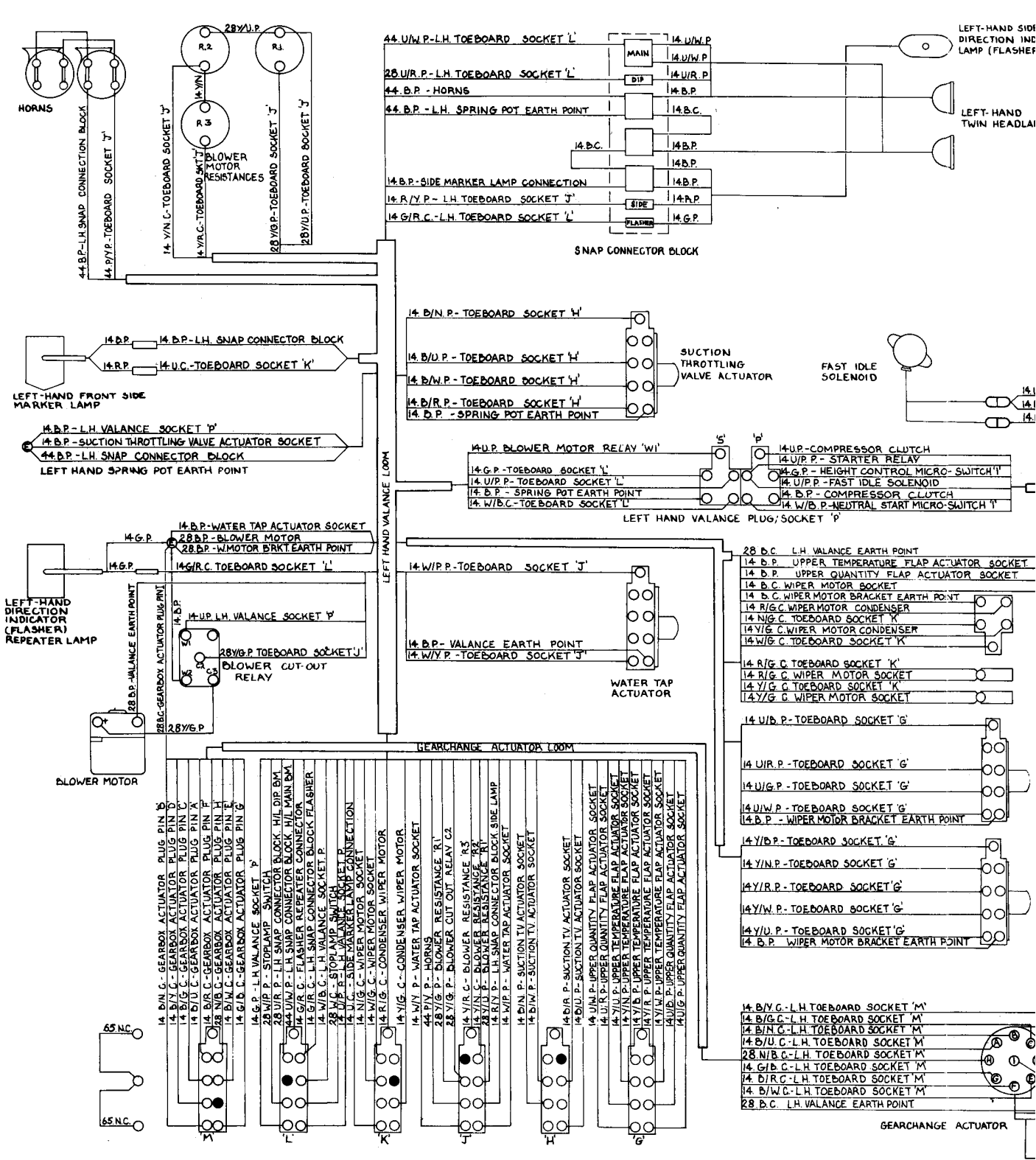
WITH DIVISION

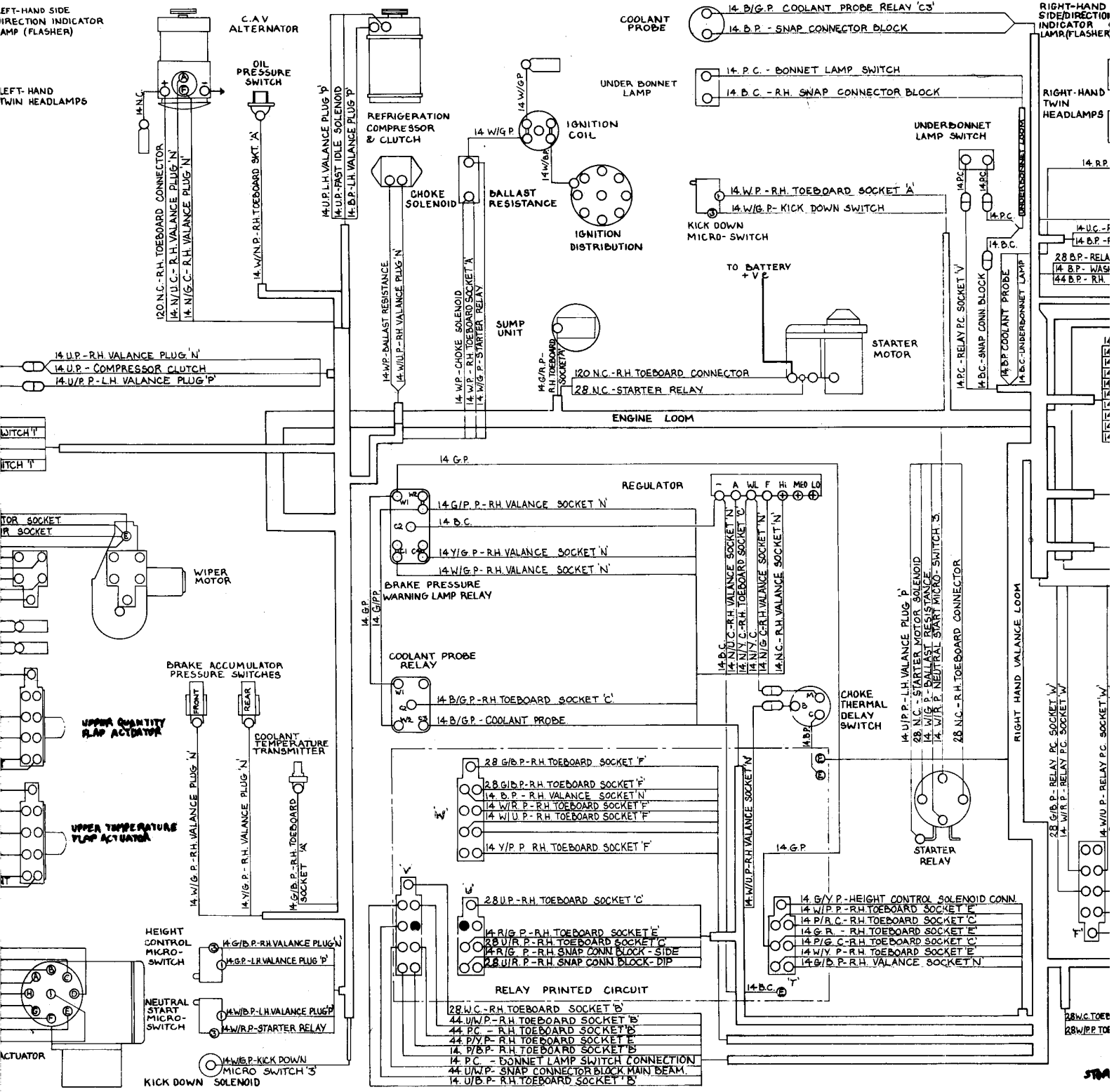
AFTER CAR SERIAL NUMBER 6598

T.S.D. Publications 2664

© Rolls-Royce Limited 1970

Rolls-Royce policy is one of continuous engineering improvement and the right is reserved to revise the contents of this publication without prior notice.





LEFT-HAND SIDE
DIRECTION INDICATOR
LAMP (FLASHER)

LEFT-HAND
TWIN HEADLAMPS

WIPER MOTOR

BRAKE ACCUMULATOR
PRESSURE SWITCHES

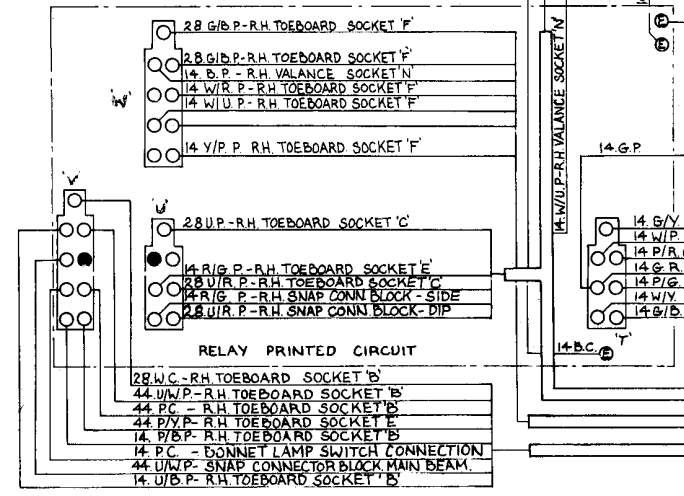
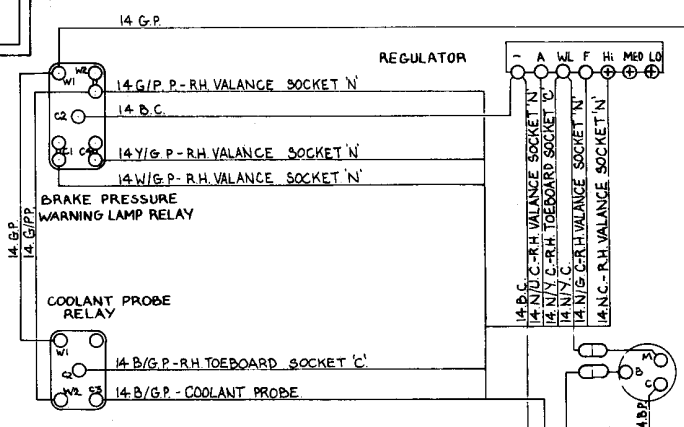
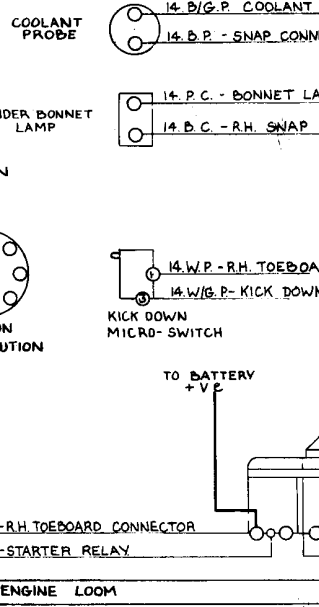
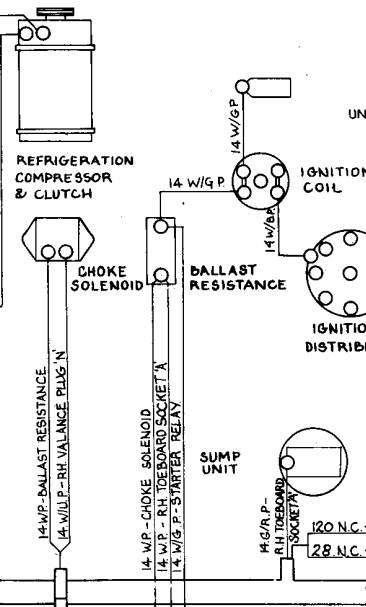
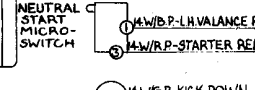
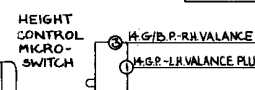
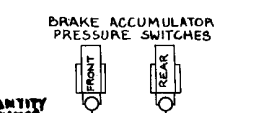
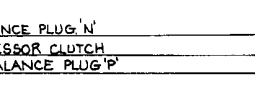
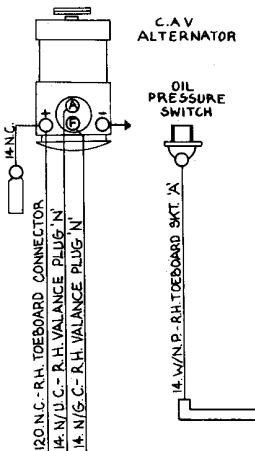
UPPER QUANTITY
FLAP ACTUATOR

UPPER TEMPERATURE
FLAP ACTUATOR

HEIGHT
CONTROL
MICRO-
SWITCH

NEUTRAL
START
MICRO-
SWITCH

KICK DOWN
SOLENOID



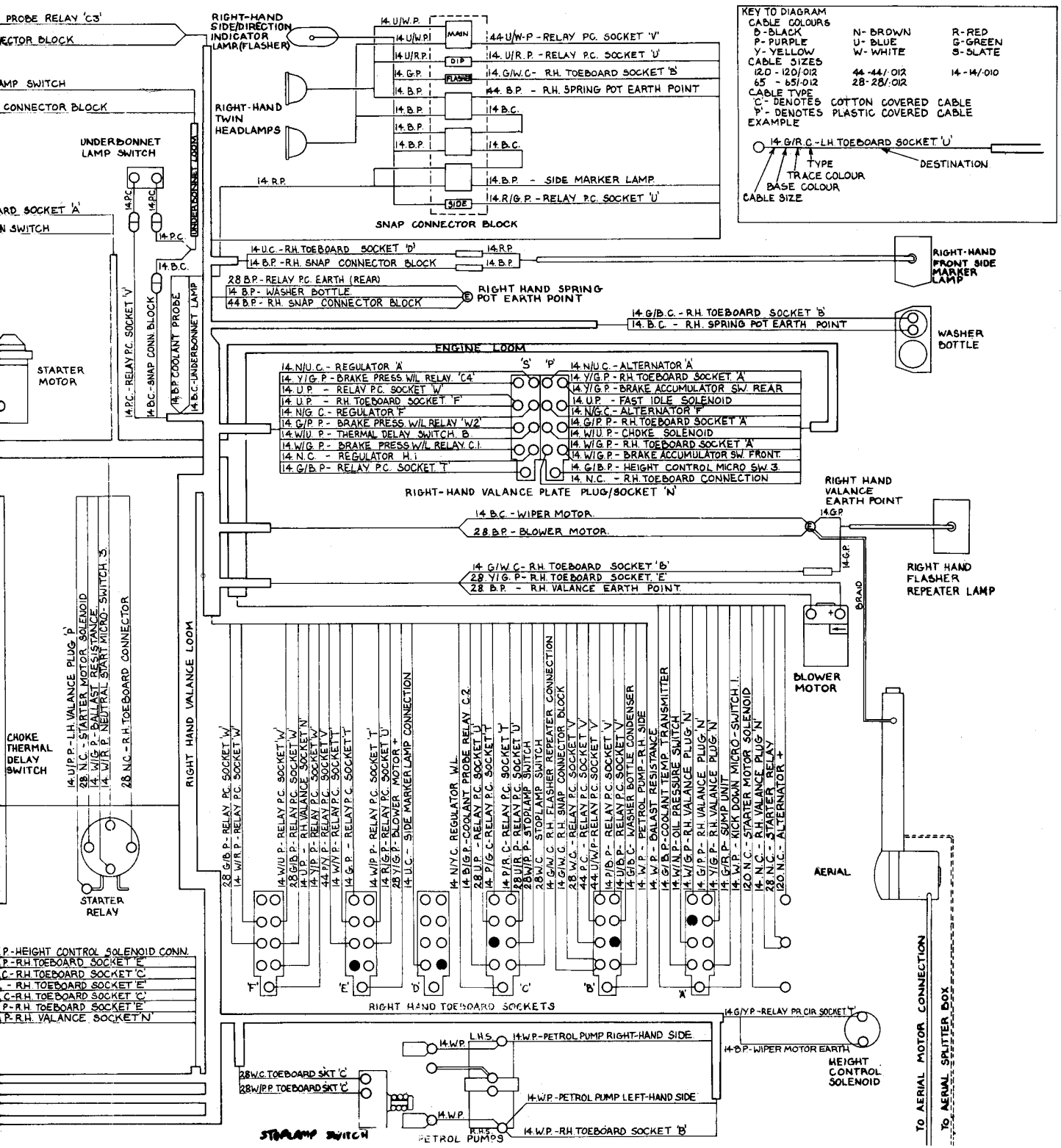
RIGHT-HAND
SIDE DIRECTION
INDICATOR
LAMP (FLASHER)

RIGHT-HAND
TWIN HEADLAMPS

RIGHT HAND VALANCE LOOM

28.N.C. TOEBOARD
28.W/P.P. TOEBOARD

570A



PRACTICAL WIRING DIAGRAM

SHEET 2

L.H. & R.H. BODY LOOMS, DOOR LOOMS, DIVISION TO BOOT
REFRIGERATION UNIT AND BOOT REFRIGERATION UNIT
ROLLS-ROYCE SILVER SHADOW

AND

BENTLEY T SERIES

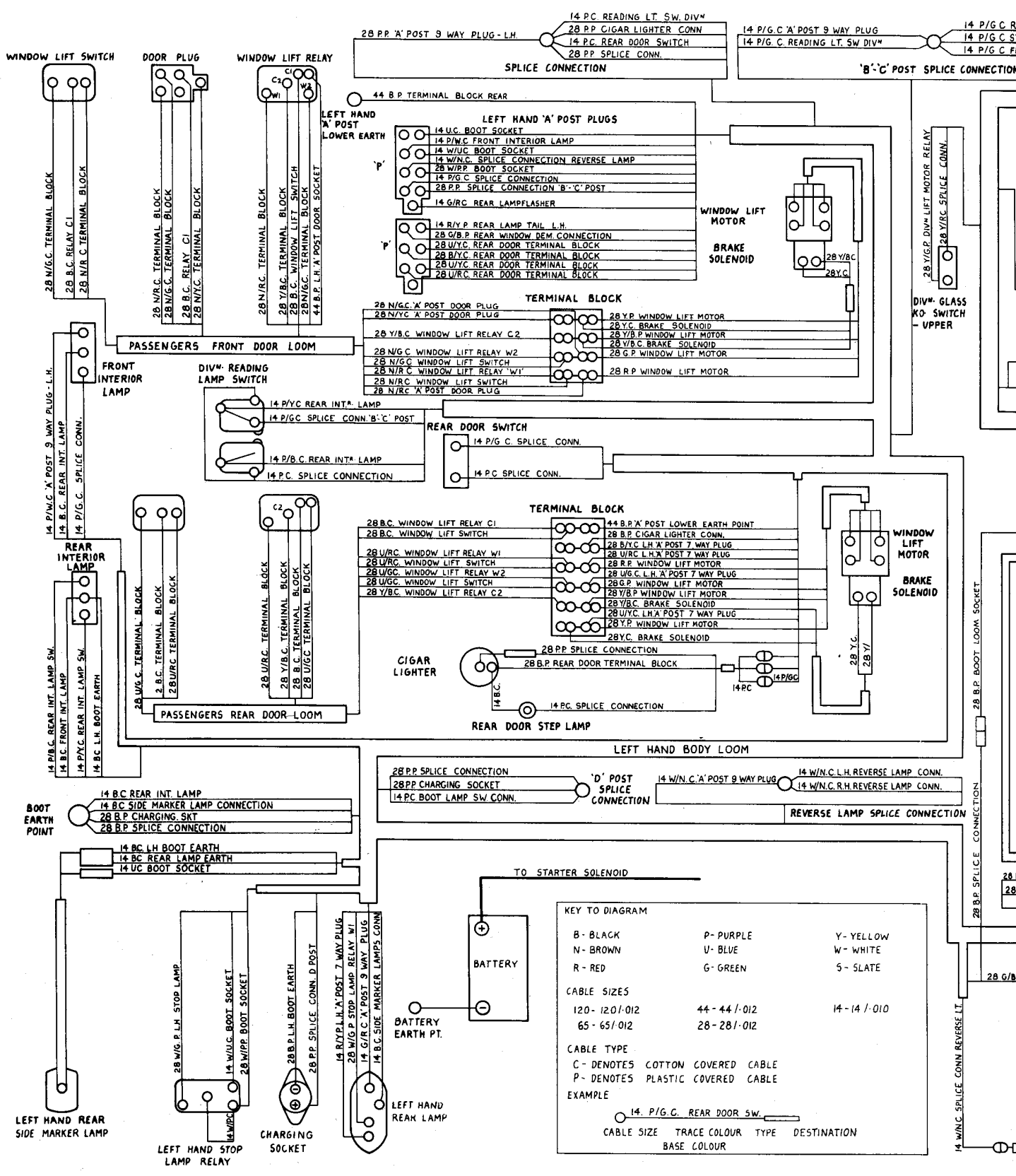
RIGHT-HAND DRIVE LONG WHEELBASE CARS
WITH DIVISION

AFTER CAR SERIAL NUMBER 6598

T.S.D. Publications 2664

© Rolls-Royce Limited 1970

Rolls-Royce policy is one of continuous engineering
improvement and the right is reserved to revise the
contents of this publication without prior notice.



KEY TO DIAGRAM

B - BLACK	P - PURPLE	Y - YELLOW
N - BROWN	U - BLUE	W - WHITE
R - RED	G - GREEN	S - SLATE

CABLE SIZES

120 - 120/012	44 - 44/012	14 - 14/010
65 - 65/012	28 - 28/012	

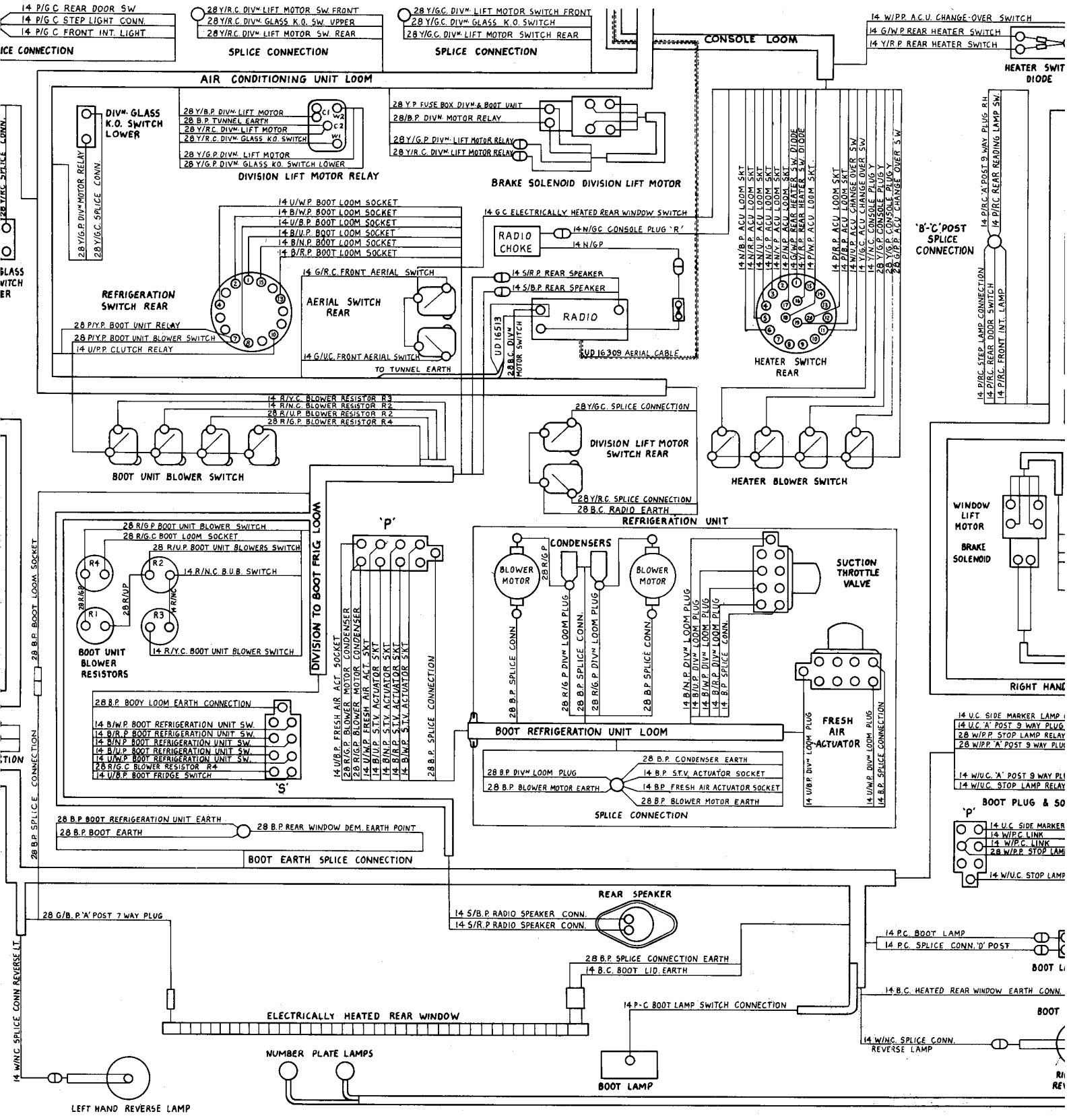
CABLE TYPE

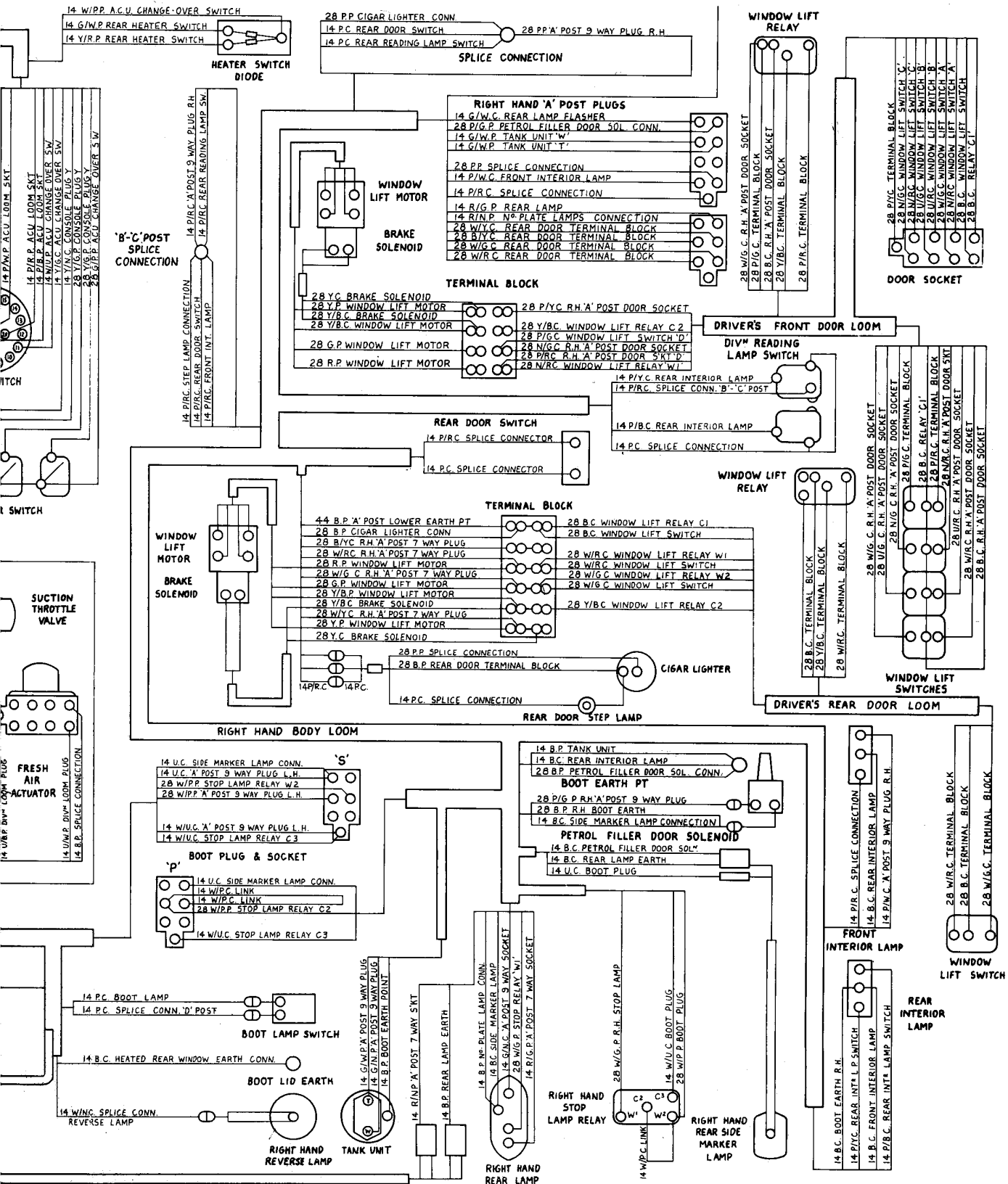
- C - DENOTES COTTON COVERED CABLE
- P - DENOTES PLASTIC COVERED CABLE

EXAMPLE

14 P/G.C. REAR DOOR SW.

CABLE SIZE TRACE COLOUR TYPE DESTINATION
BASE COLOUR





PRACTICAL WIRING DIAGRAM

SHEET 3

MAIN DISTRIBUTION LOOM, AIR CONDITIONING LOOM, SECONDARY
DISTRIBUTION LOOM, CONSOLE LOOM AND INSTRUMENT LOOM

ROLLS-ROYCE SILVER SHADOW

AND

BENTLEY T SERIES

RIGHT-HAND DRIVE LONG WHEELBASE CARS

WITH DIVISION

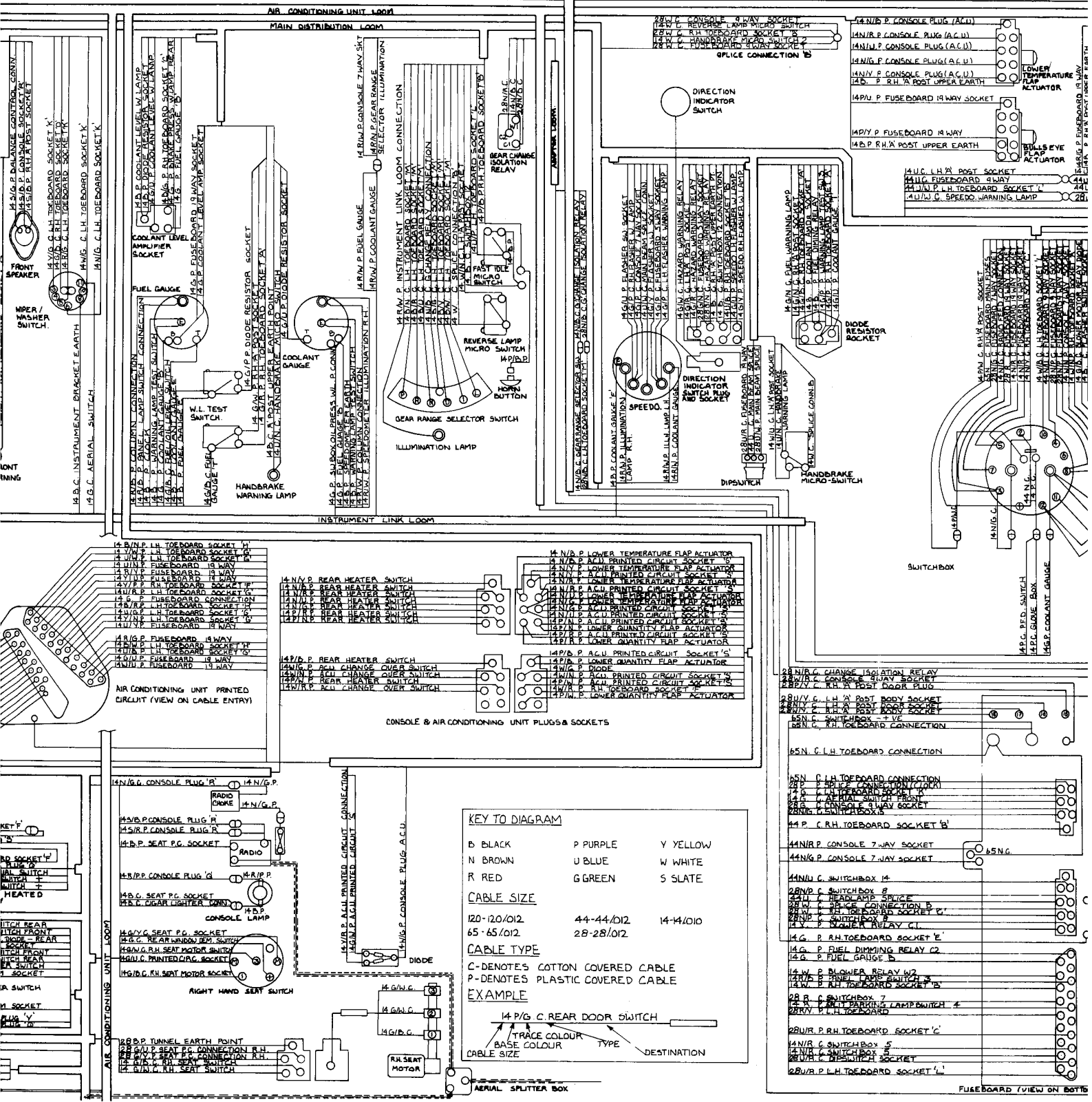
AFTER CAR SERIAL NUMBER 6598

T.S.D. Publications 2664

© Rolls-Royce Limited 1970

Rolls-Royce policy is one of continuous engineering
improvement and the right is reserved to revise the
contents of this publication without prior notice.

SECONDARY DISTRIBUTION LOOM



Section 9

RIGHT-HAND DRIVE CARS FROM SERIAL NUMBER 9000

APPLICATION	SHEET No.
Engine Compartment Looms	1
Interior Looms	2
Left-hand and Right-hand Body Looms, Console and Door Looms	3
Fuseboard and Sockets	4

Printed in England

April 1971

T.S.D. 2476

PRACTICAL WIRING DIAGRAMS

Sheet 1
Engine Compartment Looms

for
Rolls-Royce Silver Shadow
and
Bentley T Series

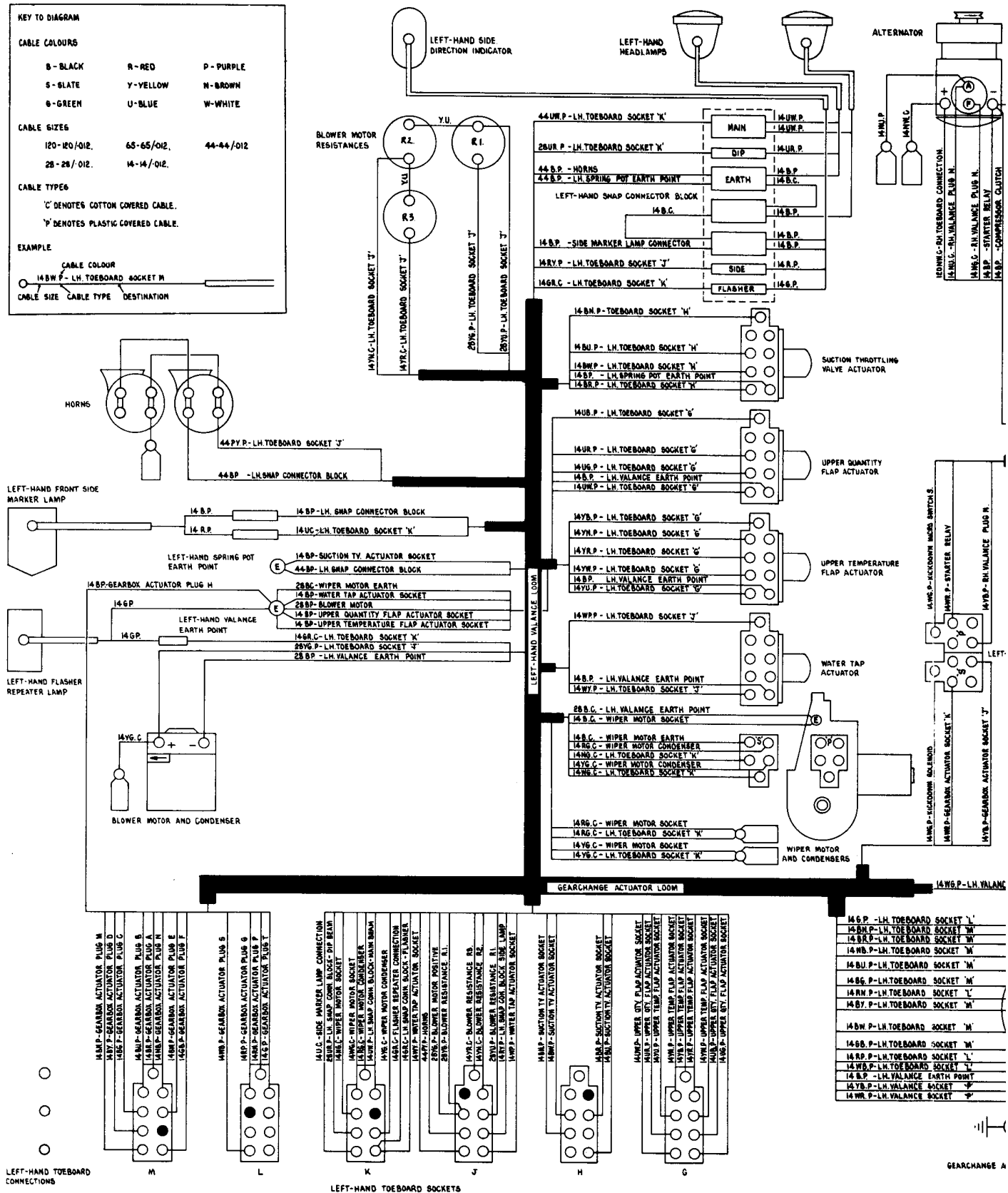
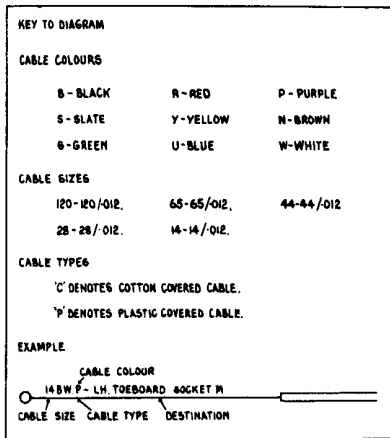
**RIGHT-HAND DRIVE CARS FROM
SERIAL NUMBER 9000**

T. S. D. Publications 2723

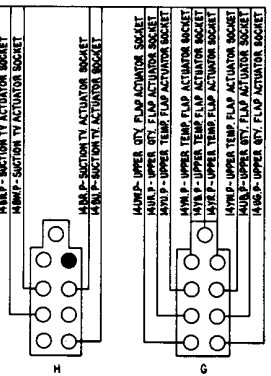
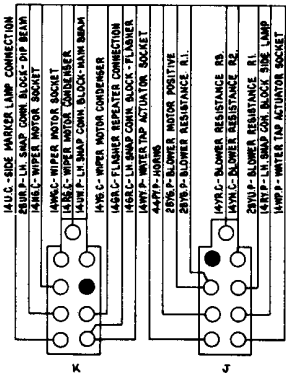
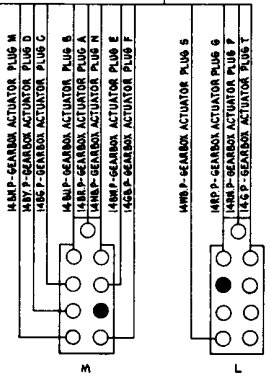
© Rolls-Royce Limited 1970.

"This document is the property of Rolls-Royce Limited and may not be copied or communicated to a third party or used for any purpose other than that for which it is supplied without the express written authority of Rolls-Royce Limited."

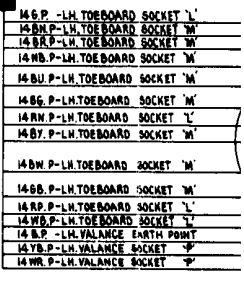
"Whilst the information in this document given in good faith based upon the latest knowledge available to Rolls-Royce Limited, Rolls-Royce Limited gives no warranty or representation concerning such information, and such information must not be taken as establishing any contractual or other commitment on the part of Rolls-Royce Limited."



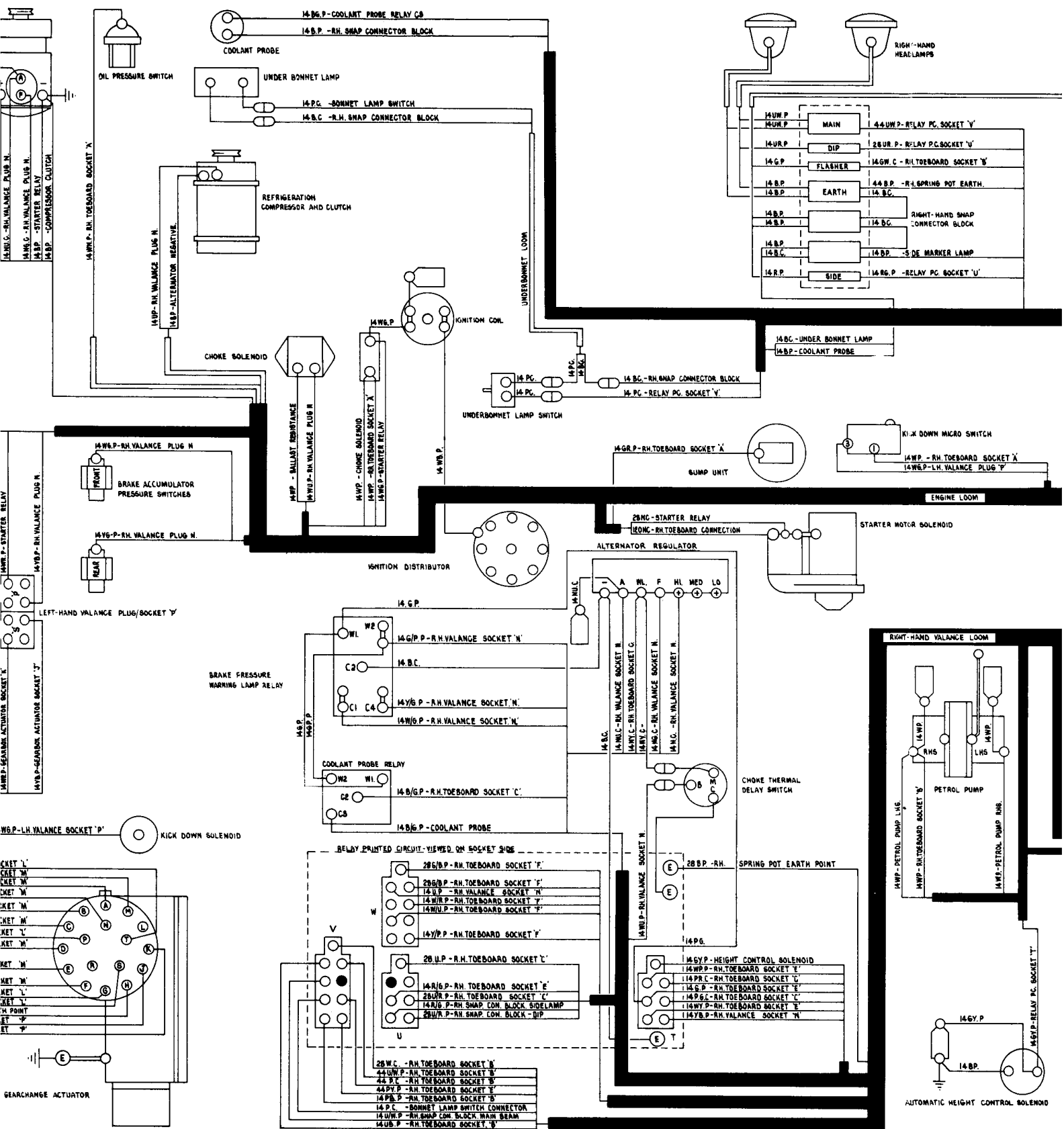
LEFT-HAND TOEBOARD CONNECTIONS

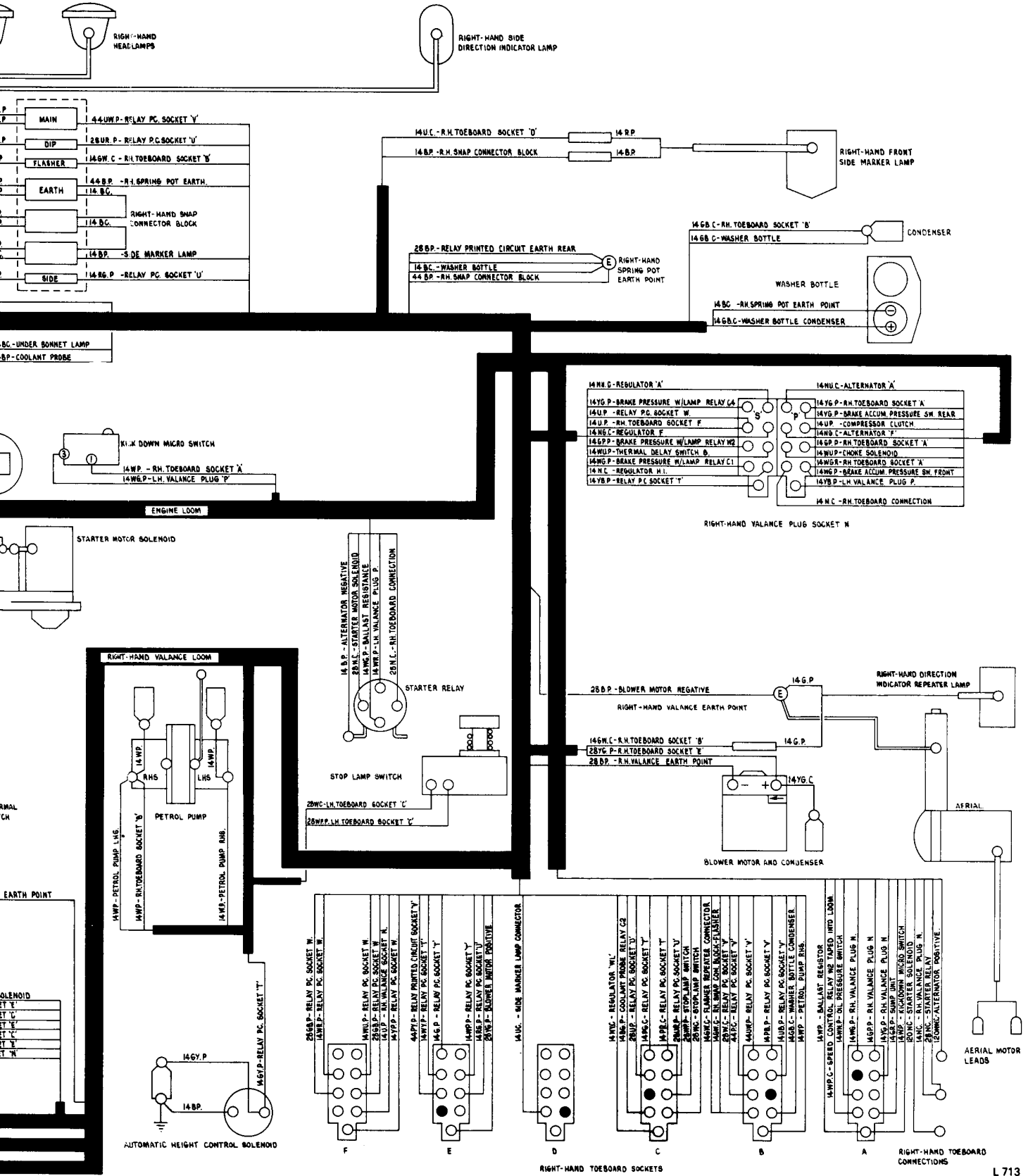


LEFT-HAND TOEBOARD SOCKETS



GEARCHANGE A





PRACTICAL WIRING DIAGRAMS

Sheet 2
Interior Looms

for
Rolls-Royce Silver Shadow
and
Bentley T Series

**RIGHT-HAND DRIVE CARS FROM
SERIAL NUMBER 9000**

T. S. D. Publications 2723

© Rolls-Royce Limited 1970.

"This document is the property of Rolls-Royce Limited and may not be copied or communicated to a third party or used for any purpose other than that for which it is supplied without the express written authority of Rolls-Royce Limited."

"Whilst the information in this document given in good faith based upon the latest knowledge available to Rolls-Royce Limited, Rolls-Royce Limited gives no warranty or representation concerning such information, and such information must not be taken as establishing any contractual or other commitment on the part of Rolls-Royce Limited."

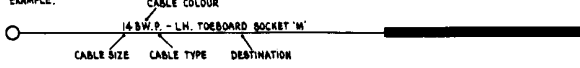
KEY TO DIAGRAM

CABLE COLOURS B-BLACK, R-RED, P-PURPLE, S-SLATE, Y-YELLOW, N-BROWN, G-GREEN, U-BLUE, W-WHITE.

CABLE SIZES 120-120/012, 65-65/012, 44-44/012, 28-28/012, 14-14/010.

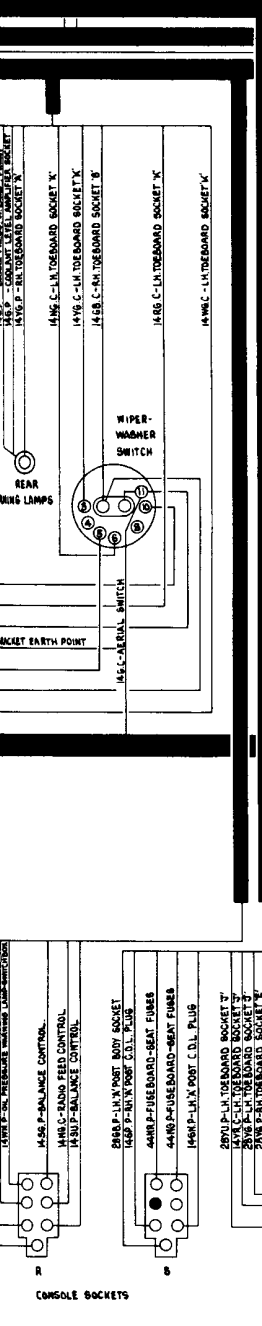
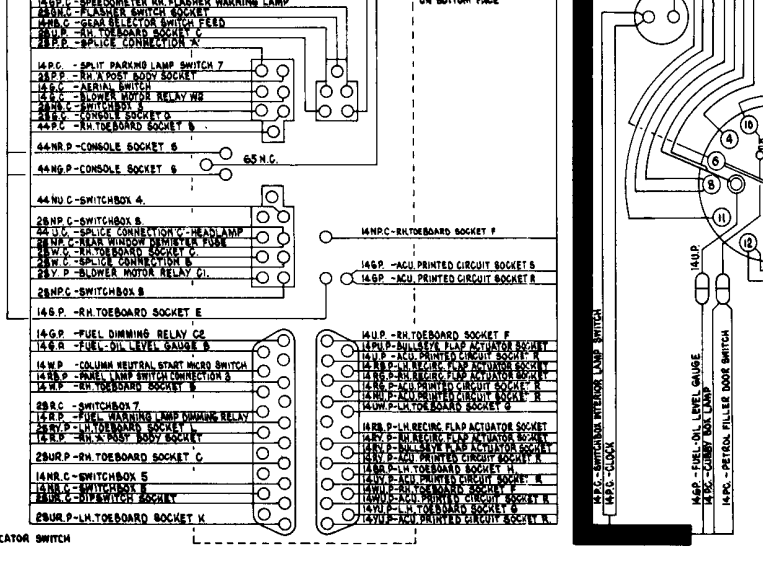
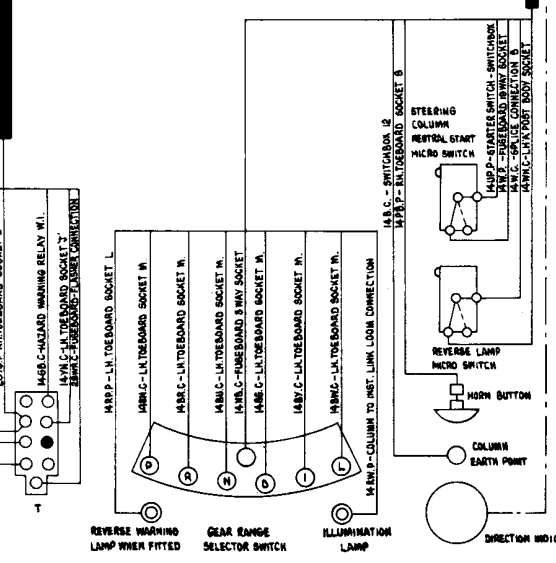
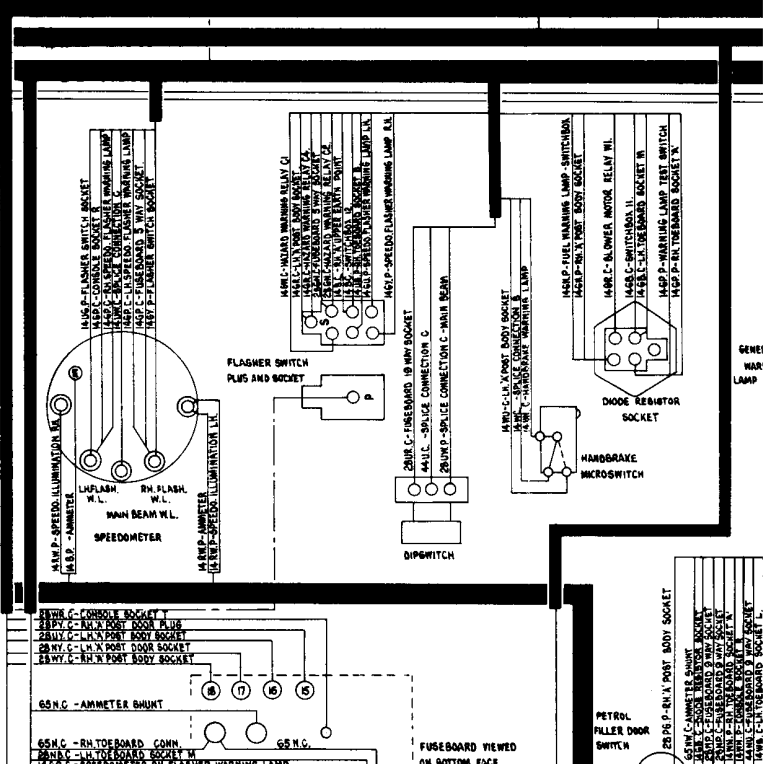
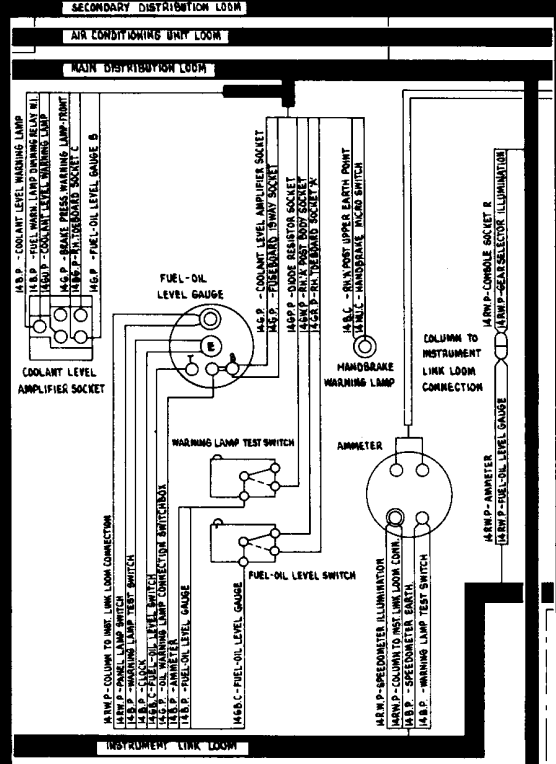
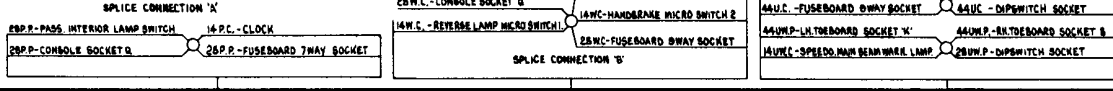
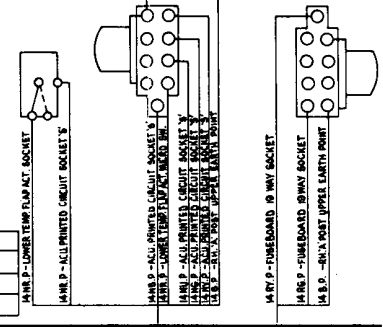
CABLE TYPE 'C'-DENOTES COTTON COVERED CABLE. 'P'-DENOTES PLASTIC COVERED CABLE.

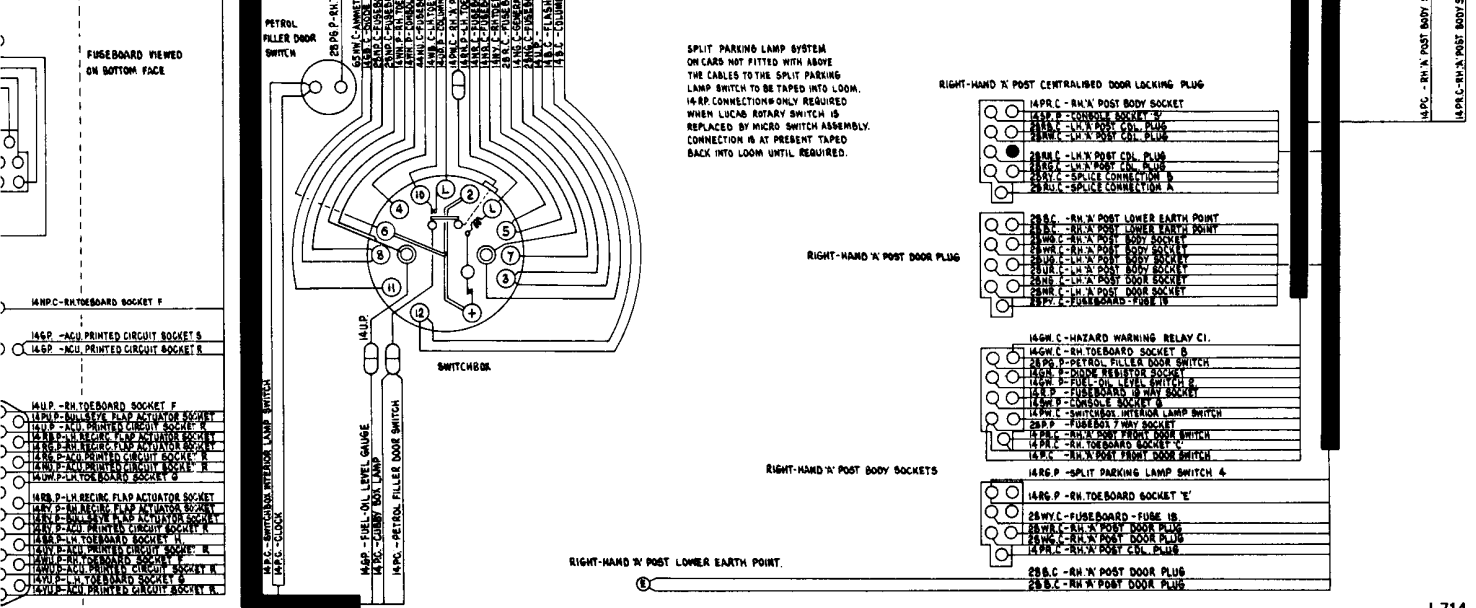
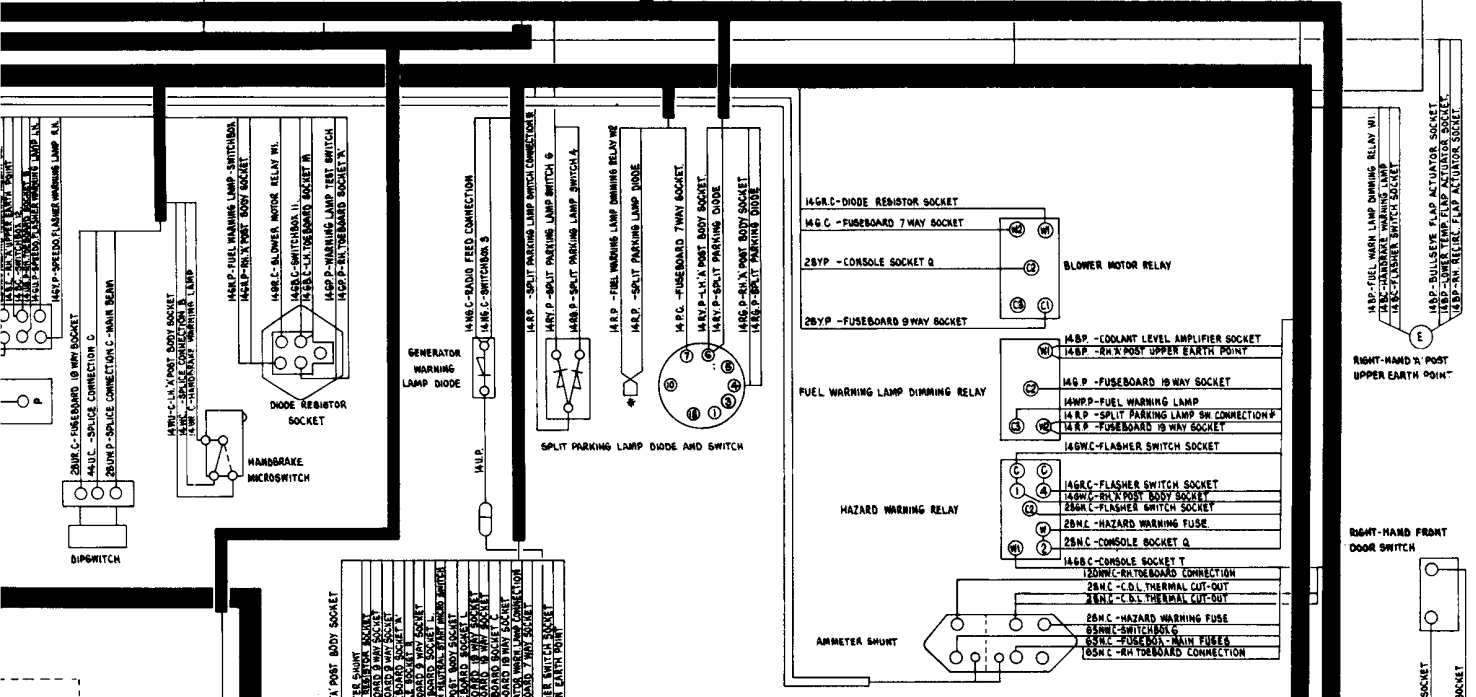
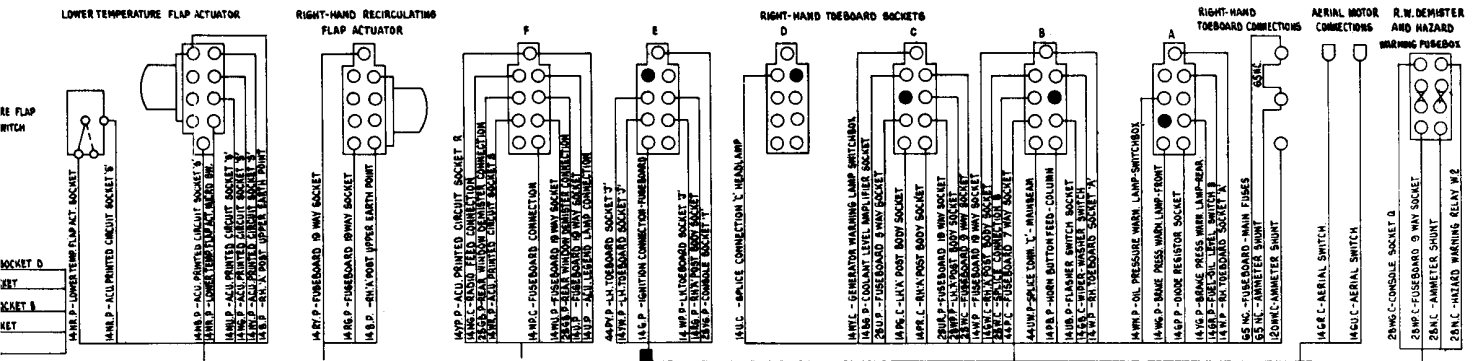
EXAMPLE.



LOWER TEMPERATURE FLAP ACTUATOR

RIGHT-HAND RECIRCULATION FLAP ACTUATOR





PRACTICAL WIRING DIAGRAMS

Sheet 3
Left-hand and Right-hand Body Looms
Console and Door Looms

for
Rolls-Royce Silver Shadow
and
Bentley T Series

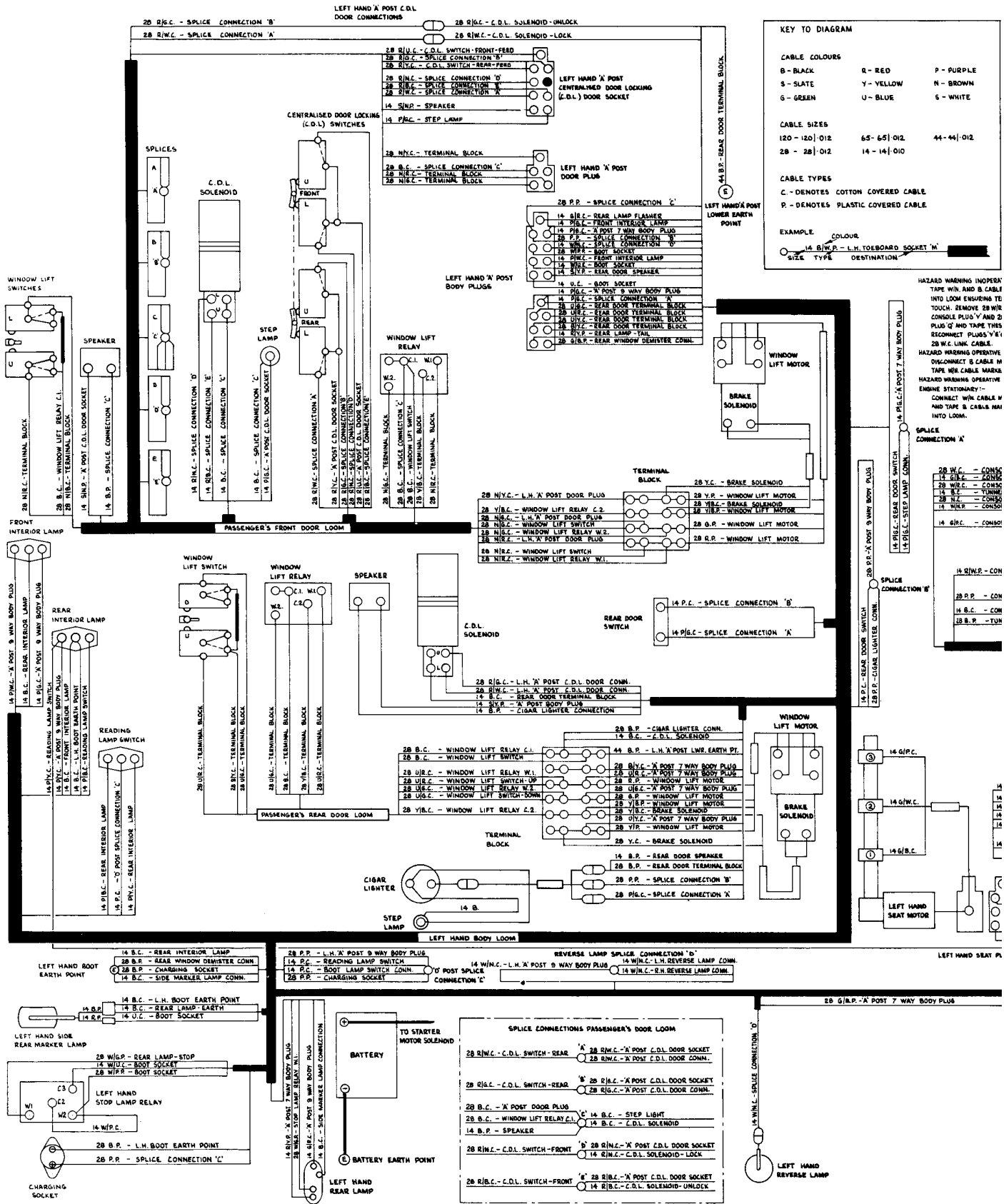
RIGHT-HAND DRIVE CARS FROM
SERIAL NUMBER 9000

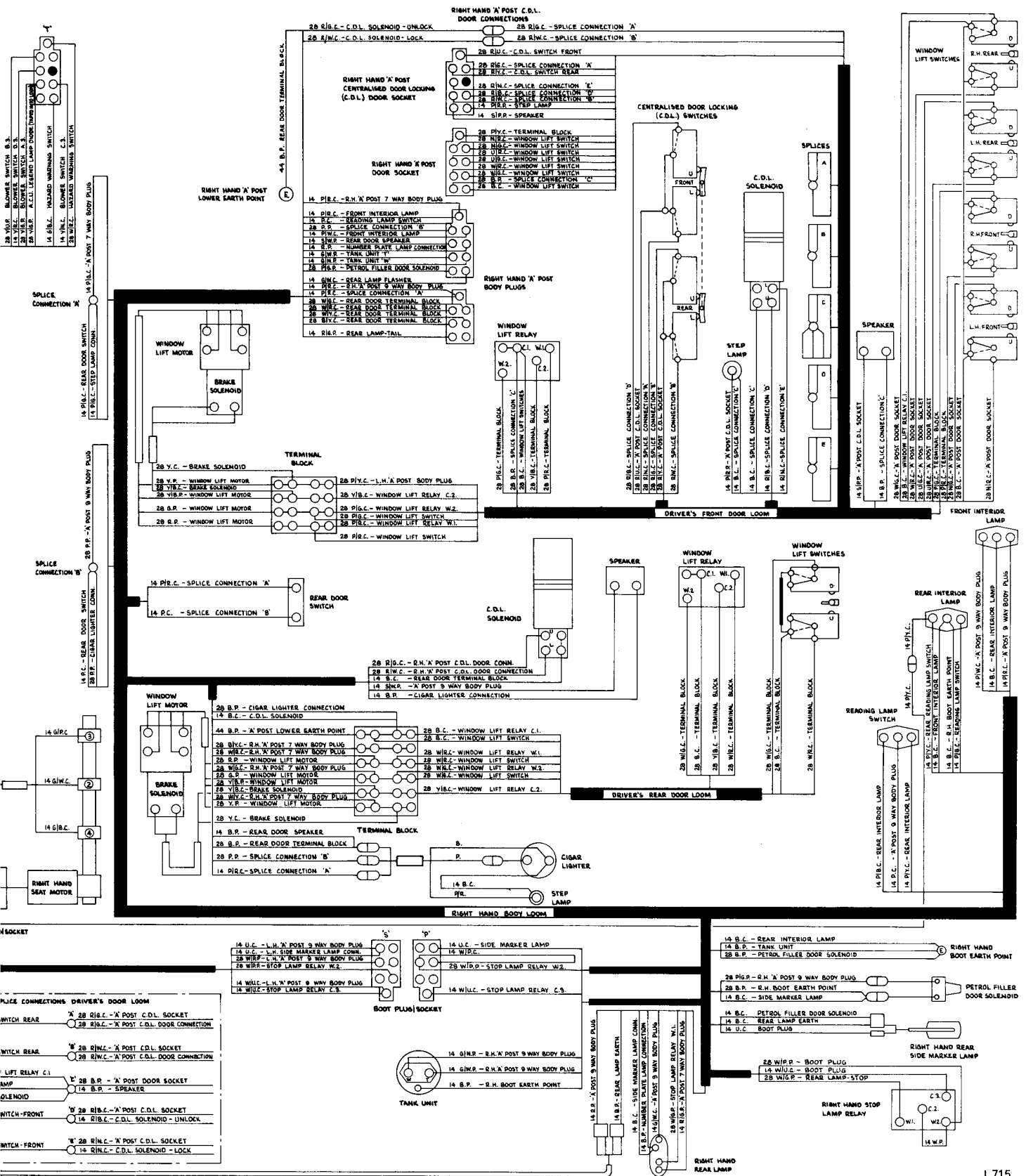
T. S. D. Publications 2723

© Rolls-Royce Limited 1970.

"This document is the property of Rolls-Royce Limited and may not be copied or communicated to a third party or used for any purpose other than that for which it is supplied without the express written authority of Rolls-Royce Limited."

"Whilst the information in this document given in good faith based upon the latest knowledge available to Rolls-Royce Limited, Rolls-Royce Limited gives no warranty or representation concerning such information, and such information must not be taken as establishing any contractual or other commitment on the part of Rolls-Royce Limited."





PRACTICAL WIRING DIAGRAMS

Sheet 4
Fuseboard and Sockets

for
Rolls-Royce Silver Shadow
and
Bentley T Series

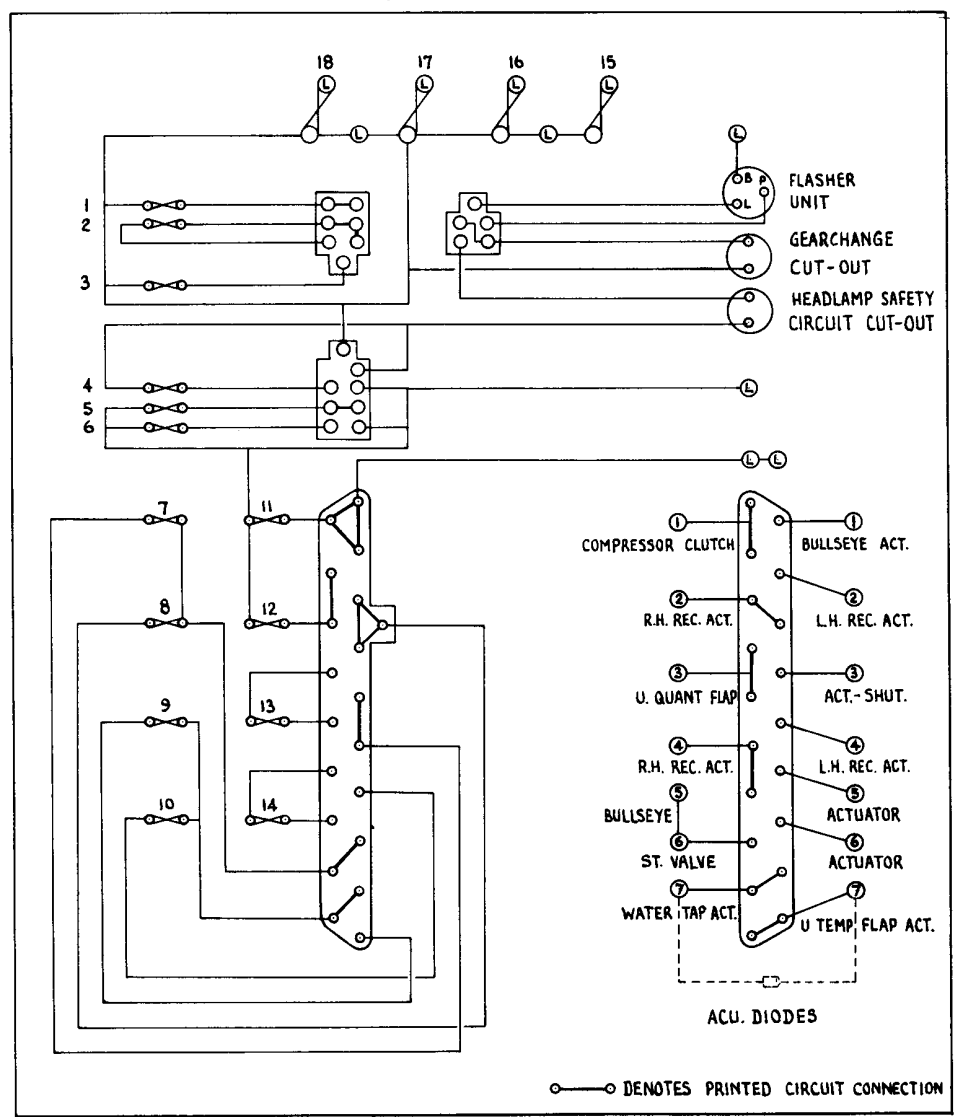
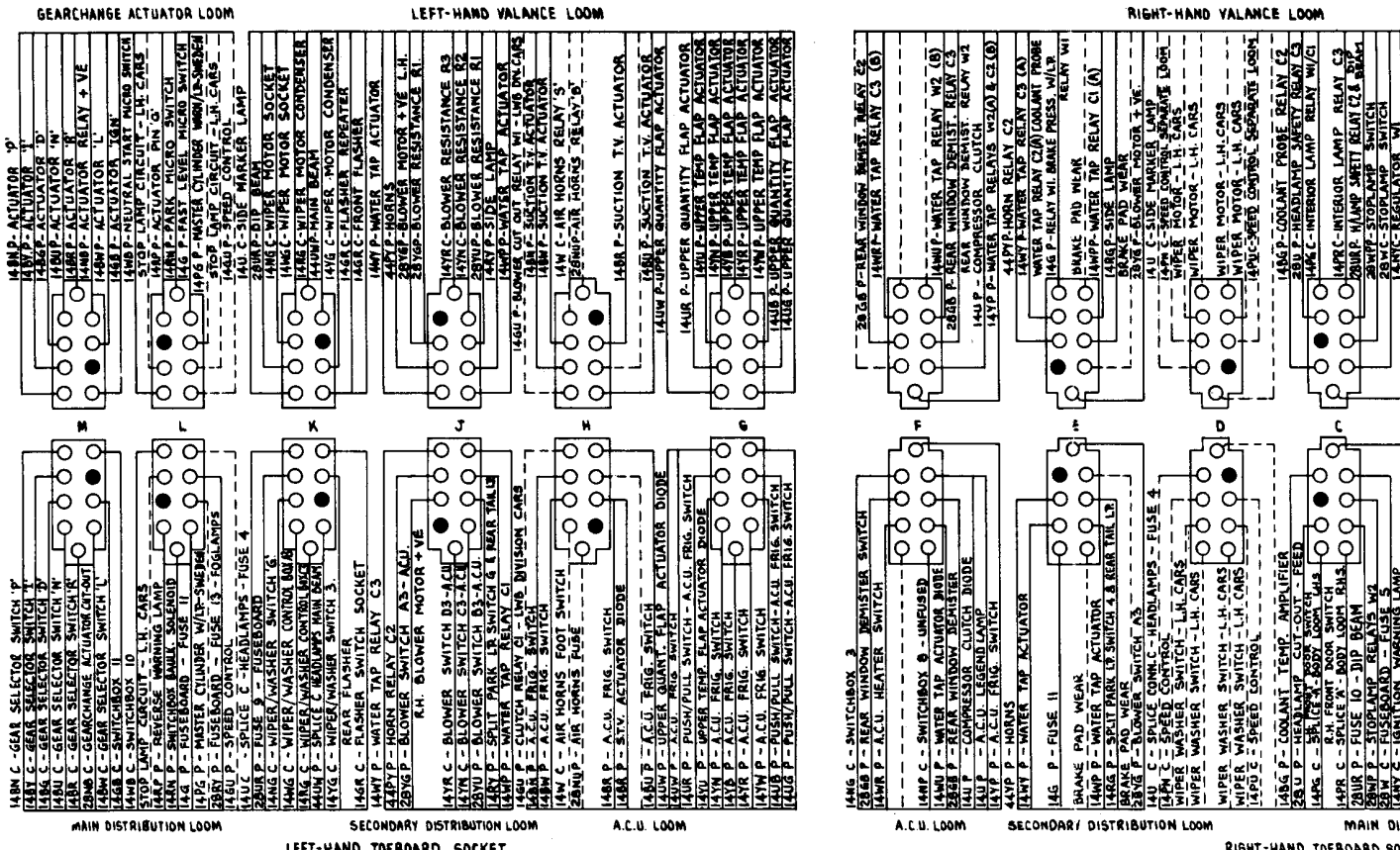
**RIGHT-HAND DRIVE CARS FROM
SERIAL NUMBER 9000**

T. S. D. Publications 2723

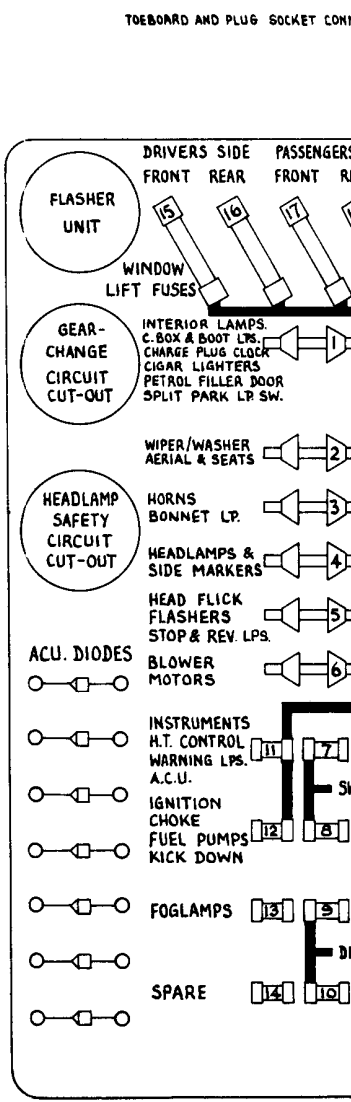
© Rolls-Royce Limited 1970.

"This document is the property of Rolls-Royce Limited and may not be copied or communicated to a third party or used for any purpose other than that for which it is supplied without the express written authority of Rolls-Royce Limited."

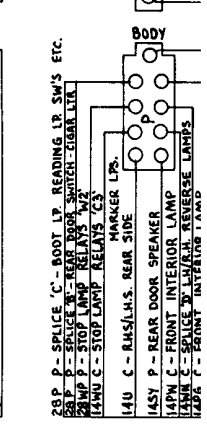
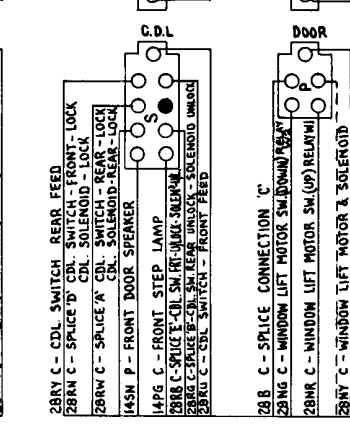
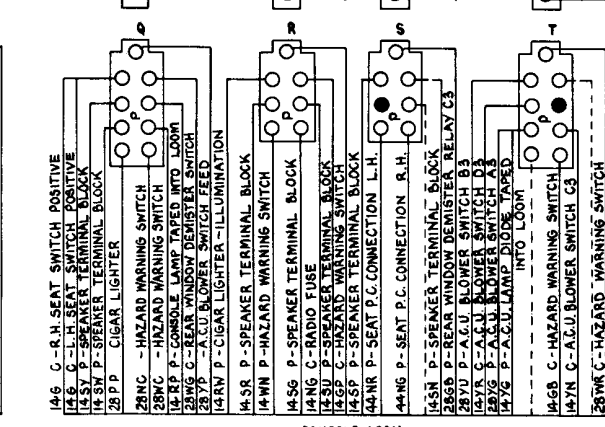
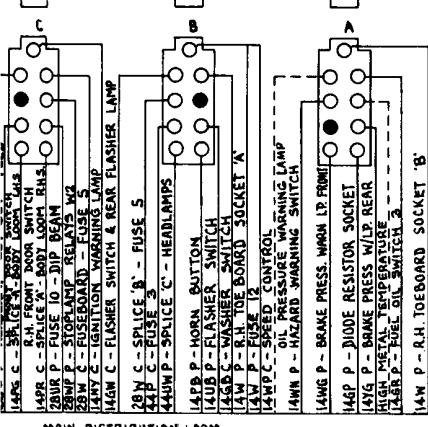
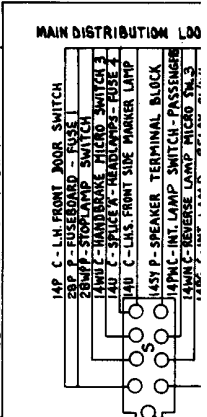
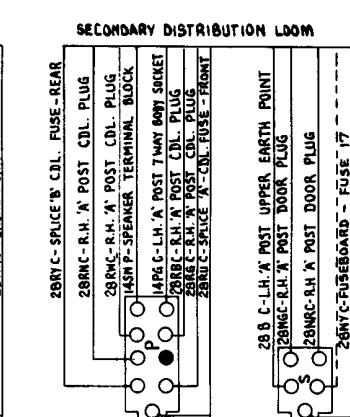
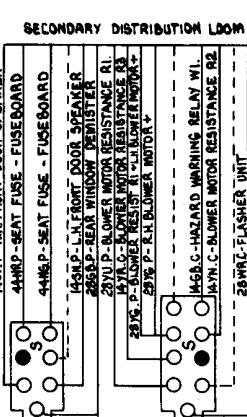
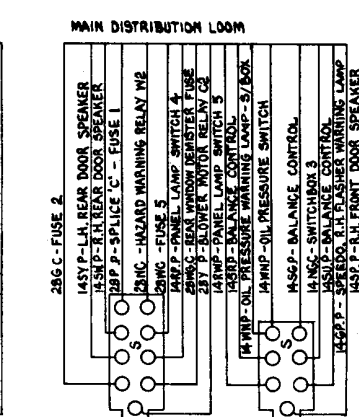
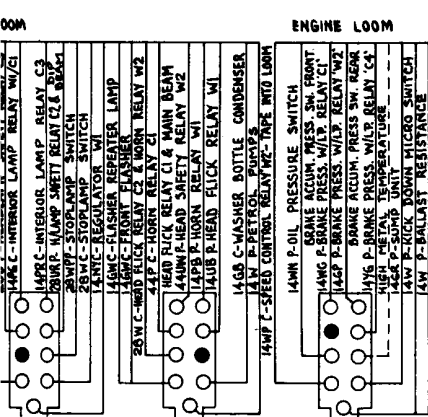
"Whilst the information in this document given in good faith based upon the latest knowledge available to Rolls-Royce Limited, Rolls-Royce Limited gives no warranty or representation concerning such information, and such information must not be taken as establishing any contractual or other commitment on the part of Rolls-Royce Limited."



FUSEBOARD PRINTED CIRCUIT - SOCKET AND FUSE CONNECTIONS - VIEWED ON SOCKET FACE OF PRINTED CIRCUIT

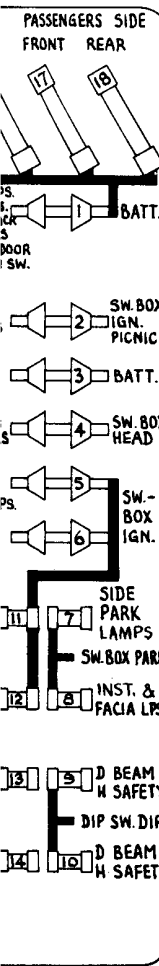


FUSEBOARD IDENTIFICATION



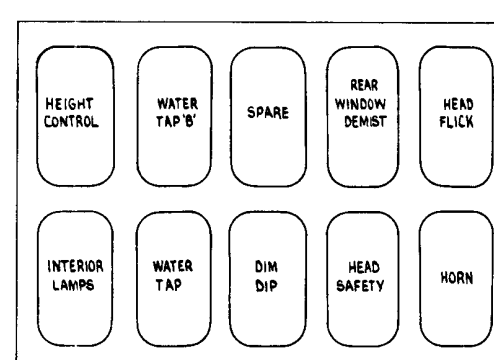
TOEBOARD SOCKET CONNECTIONS CONSOLE PLUG-SOCKET CONNECTIONS PASSENGERS DOOR LOOM LEFT-HAND A POST-SOCKET CONNECTIONS

TO ENABLE THE ABOVE CABLE CONNECTIONS TO BE EASILY FOLLOWED THE CHARTS SHOW THE ACTUAL ORIGIN AND DESTINATION OF EACH CABLE BUT DO NOT TAKE INTO ACCOUNT THE RUN OF THE CABLE WITHIN THE LOOMS. TO OBTAIN THIS INFORMATION SEE THE PRACTICAL WIRING DIAGRAM ON SHEETS 1, 2, 3.

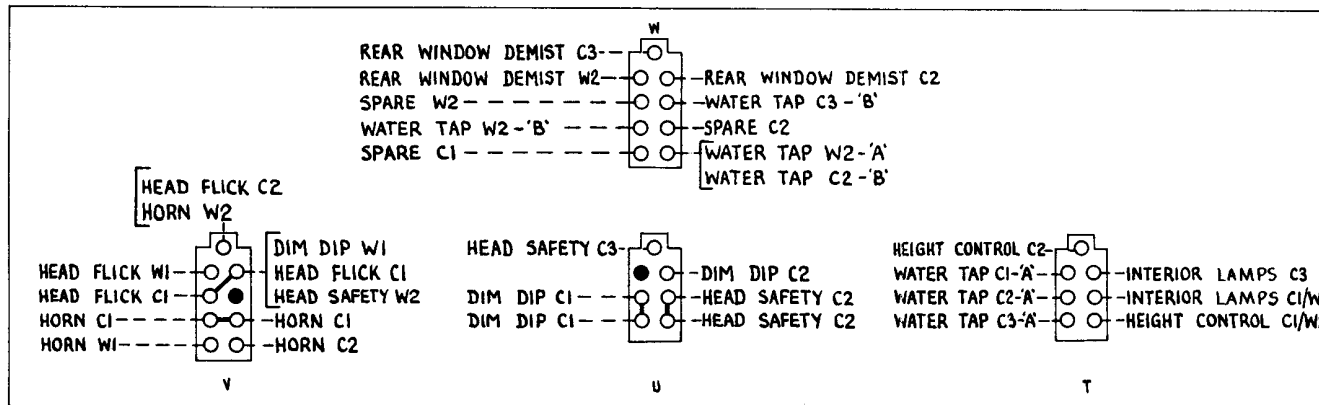


CABLE	FROM	TO
14 BAP	PIN 'A' RECEPTACLE-SOCKET	TERMINAL 'R' ACTUATOR
14 BUP	PIN 'B' RECEPTACLE-SOCKET	TERMINAL 'N' ACTUATOR
14 BOP	PIN 'C' RECEPTACLE-SOCKET	TERMINAL 'D' ACTUATOR
14 BVP	PIN 'D' RECEPTACLE-SOCKET	TERMINAL 'I' ACTUATOR
14 BWP	PIN 'E' RECEPTACLE-SOCKET	TERMINAL 'L' ACTUATOR
14 GBP	PIN 'F' RECEPTACLE-SOCKET	TERMINAL 'IGN' ACTUATOR
	PIN 'G' RECEPTACLE-SOCKET	
14 BP	PIN 'H' RECEPTACLE-SOCKET	EARTH
14 YBP	PIN 'J' RECEPTACLE-SOCKET	N FAST LEVEL MICRO SWITCH 2
14 WRP	PIN 'K' RECEPTACLE-SOCKET	N START MICRO SWITCH 1
	PIN 'L' RECEPTACLE-SOCKET	
14 BNP	PIN 'M' RECEPTACLE-SOCKET	TERMINAL 'P' ACTUATOR
14 NBP	PIN 'N' RECEPTACLE-SOCKET	RELAY POSITIVE
14 RNP	PIN 'P' RECEPTACLE-SOCKET	PARK MICRO SWITCH 3
	PIN 'R' RECEPTACLE-SOCKET	
14 WBP	PIN 'S' RECEPTACLE-SOCKET	N START MICRO SWITCH 1
14 GP	PIN 'T' RECEPTACLE-SOCKET	N FAST LEVEL MICRO SWITCH 2

GEARCHANGE ACTUATOR SOCKET TO ACTUATOR TERMINAL CONNECTIONS



RELAY BOARD PRINTED CIRCUIT - POSITION OF RELAYS VIEWED ON RELAY FACE OF PRINTED CIRCUIT



'W' TERMINAL ON HEAD SAFETY, BOTH WATER TAP, HT. CONTROL, SPARE AND REAR WINDOW DEMIST, RELAYS EARTHED AS IS 'W2' ON INTERIOR LAMPS RELAY RELAY BOARD PRINTED CIRCUIT - RELAYS TO SOCKET CONNECTIONS - VIEWED ON SOCKET FACE OF PRINTED CIRCUIT

Section 10

LEFT-HAND DRIVE CARS FROM SERIAL NUMBER 9000

APPLICATION	SHEET No.
Engine Compartment Looms	1
Main and Secondary Distribution Looms, and Air Conditioning Looms	2
Left-hand and Right-hand Body Looms	3
Fuseboard and Sockets	4

Printed in England

April 1971

T.S.D. 2476

PRACTICAL WIRING DIAGRAMS

Sheet 1
Engine Compartment Looms

for
Rolls-Royce Silver Shadow
and
Bentley T Series

**LEFT-HAND DRIVE CARS FROM
SERIAL NUMBER 9000**

T.S.D. Publications 2724

© Rolls-Royce Limited 1970.

"This document is the property of Rolls-Royce Limited and may not be copied or communicated to a third party or used for any purpose other than that for which it is supplied without the express written authority of Rolls-Royce Limited."

"Whilst the information in this document given in good faith based upon the latest knowledge available to Rolls-Royce Limited. Rolls-Royce Limited gives no warranty or representation concerning such information, and such information must not be taken as establishing any contractual or other commitment on the part of Rolls-Royce Limited."

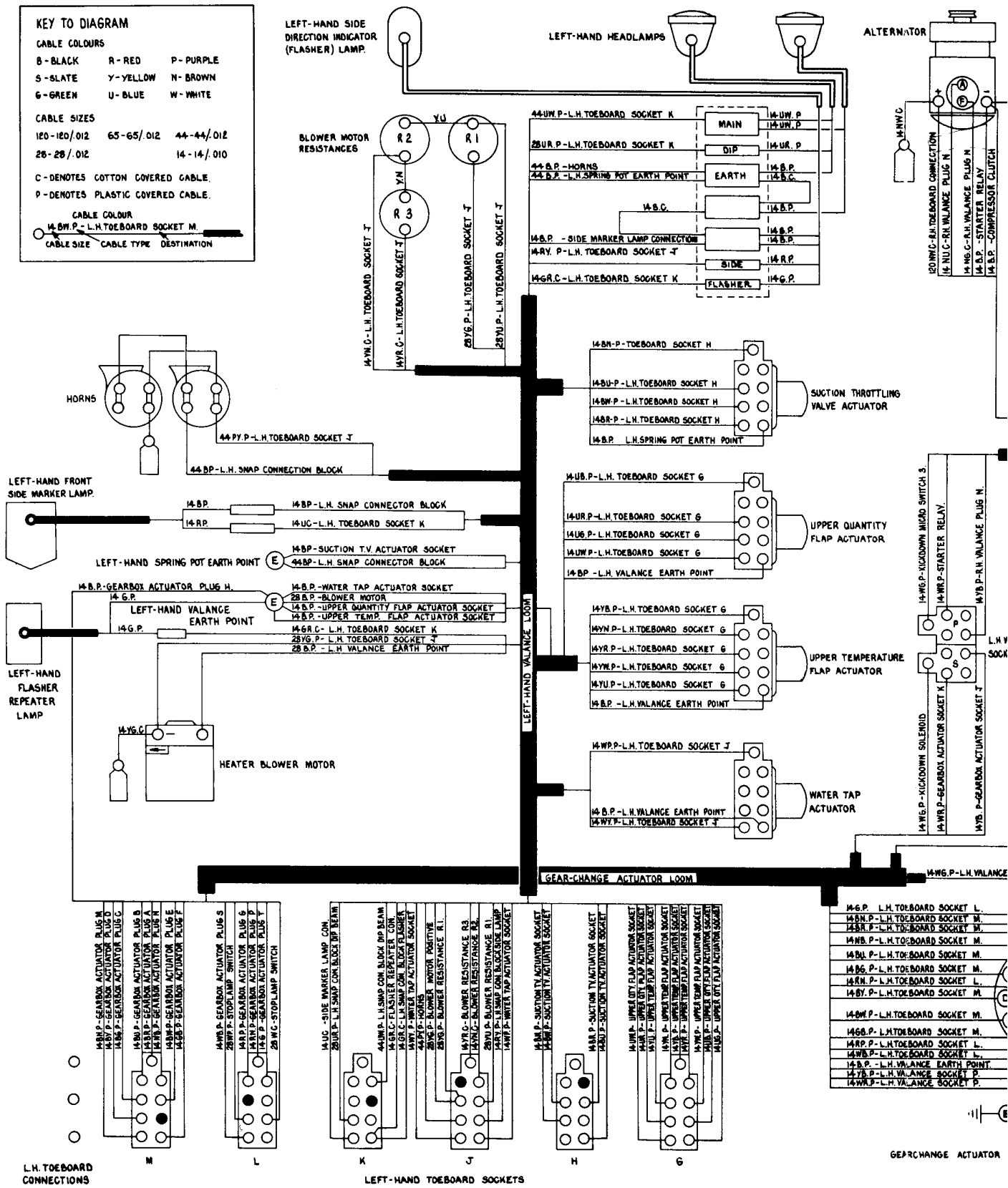
KEY TO DIAGRAM

CABLE COLOURS
 B - BLACK R - RED P - PURPLE
 S - SLATE Y - YELLOW N - BROWN
 G - GREEN U - BLUE W - WHITE

CABLE SIZES
 120-120/012 65-65/012 44-44/012
 28-28/012 14-14/010

C - DENOTES COTTON COVERED CABLE.
 P - DENOTES PLASTIC COVERED CABLE.

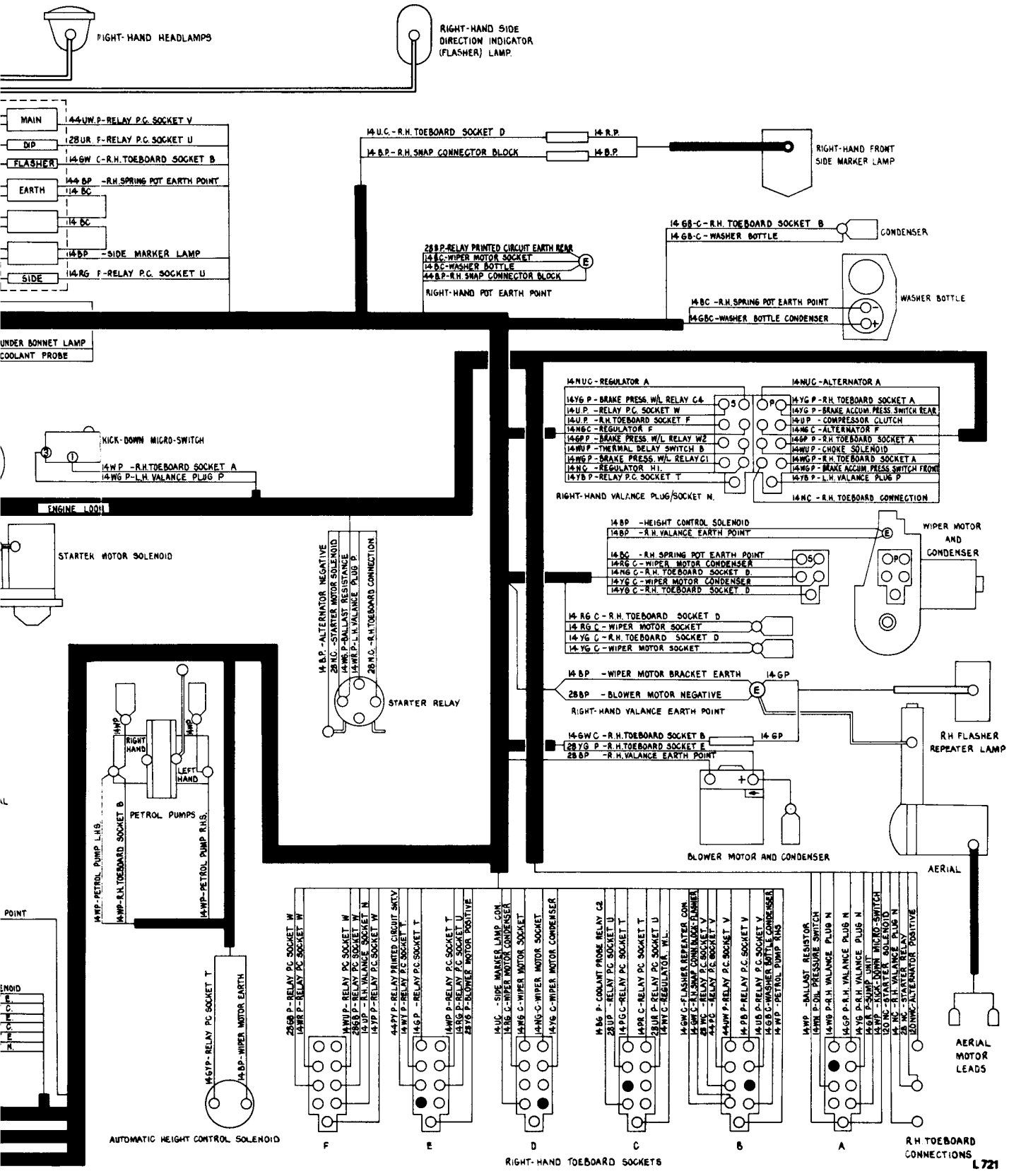
CABLE COLOUR
 14 BM.P - L.H. TOEBOARD SOCKET M.
 CABLE SIZE CABLE TYPE DESTINATION



L.H. TOEBOARD CONNECTIONS

LEFT-HAND TOEBOARD SOCKETS

GEAR-CHANGE ACTUATOR



PRACTICAL WIRING DIAGRAMS

Sheet 2
Main and Secondary Distribution Looms
Air Conditioning Unit Looms

for
Rolls-Royce Silver Shadow
and
Bentley T Series

LEFT-HAND DRIVE CARS FROM
SERIAL NUMBER 9000

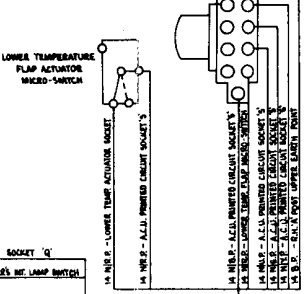
T.S.D. Publications 2724

© Rolls-Royce Limited 1970.

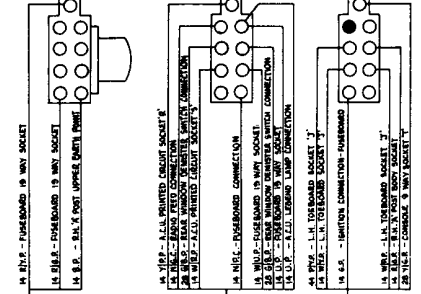
"This document is the property of Rolls-Royce Limited and may not be copied or communicated to a third party or used for any purpose other than that for which it is supplied without the express written authority of Rolls-Royce Limited."

"Whilst the information in this document given in good faith based upon the latest knowledge available to Rolls-Royce Limited, Rolls-Royce Limited gives no warranty or representation concerning such information, and such information must not be taken as establishing any contractual or other commitment on the part of Rolls-Royce Limited."

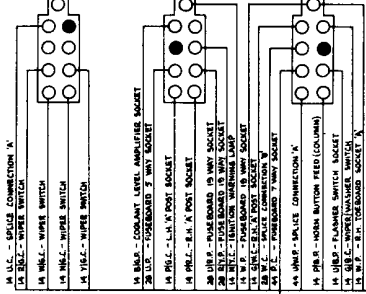
LOWER TEMPERATURE FLAP ACTUATOR



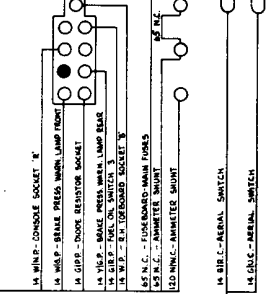
RIGHT HAND RECIRCULATING FLAP ACTUATOR



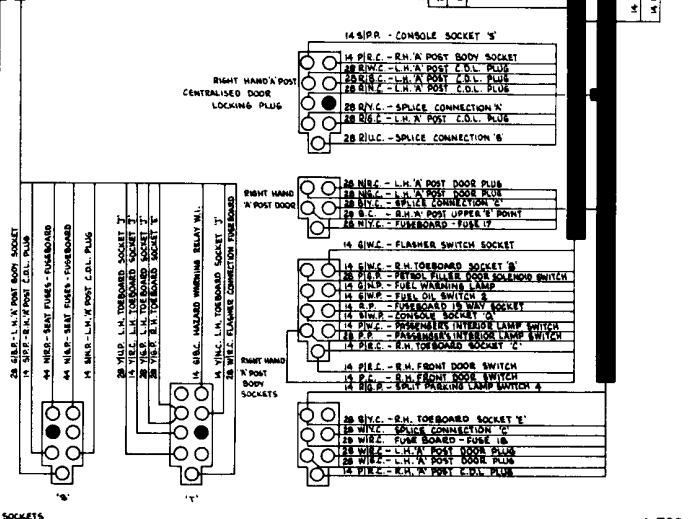
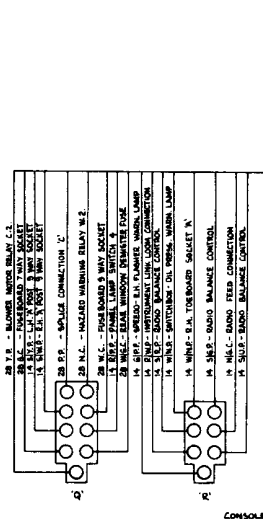
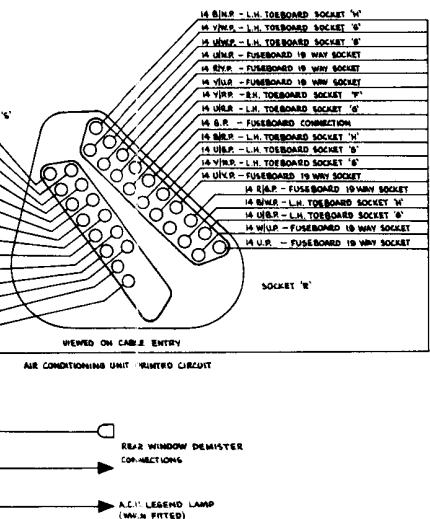
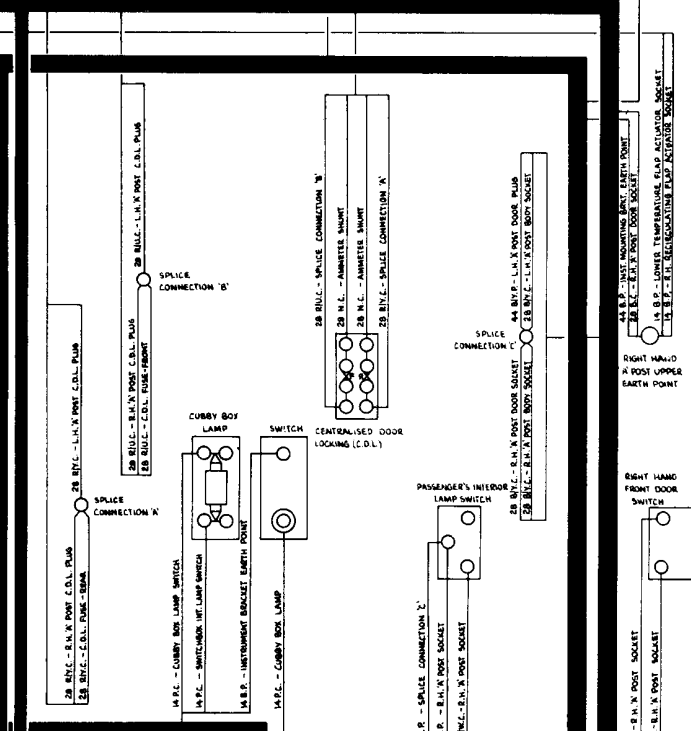
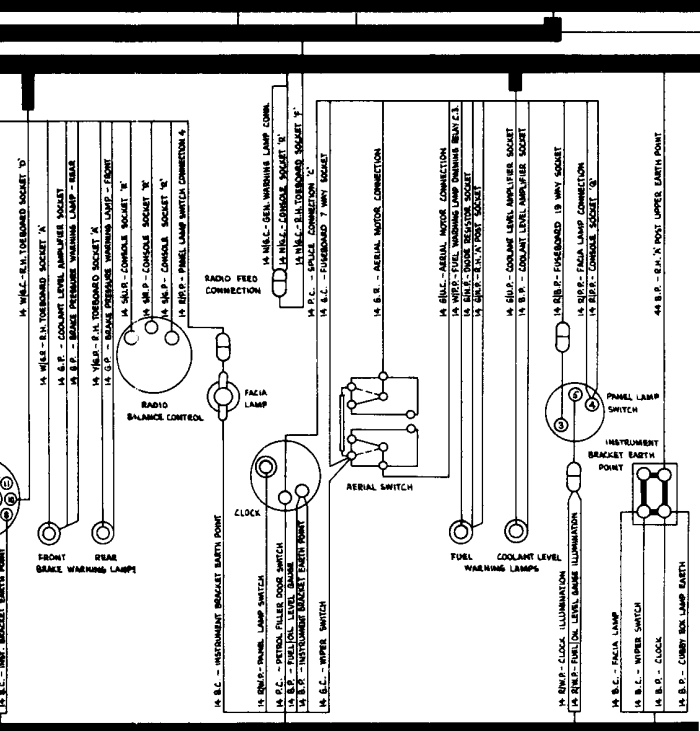
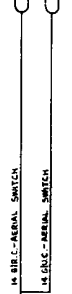
RIGHT HAND TOBEARDED SOCKETS



RIGHT HAND TOBEARDED CONNECTIONS



AERIAL MOTOR CONNECTIONS



PRACTICAL WIRING DIAGRAMS

Sheet 3
Left-hand and Right-hand Body Looms

for
Rolls-Royce Silver Shadow
and
Bentley T Series

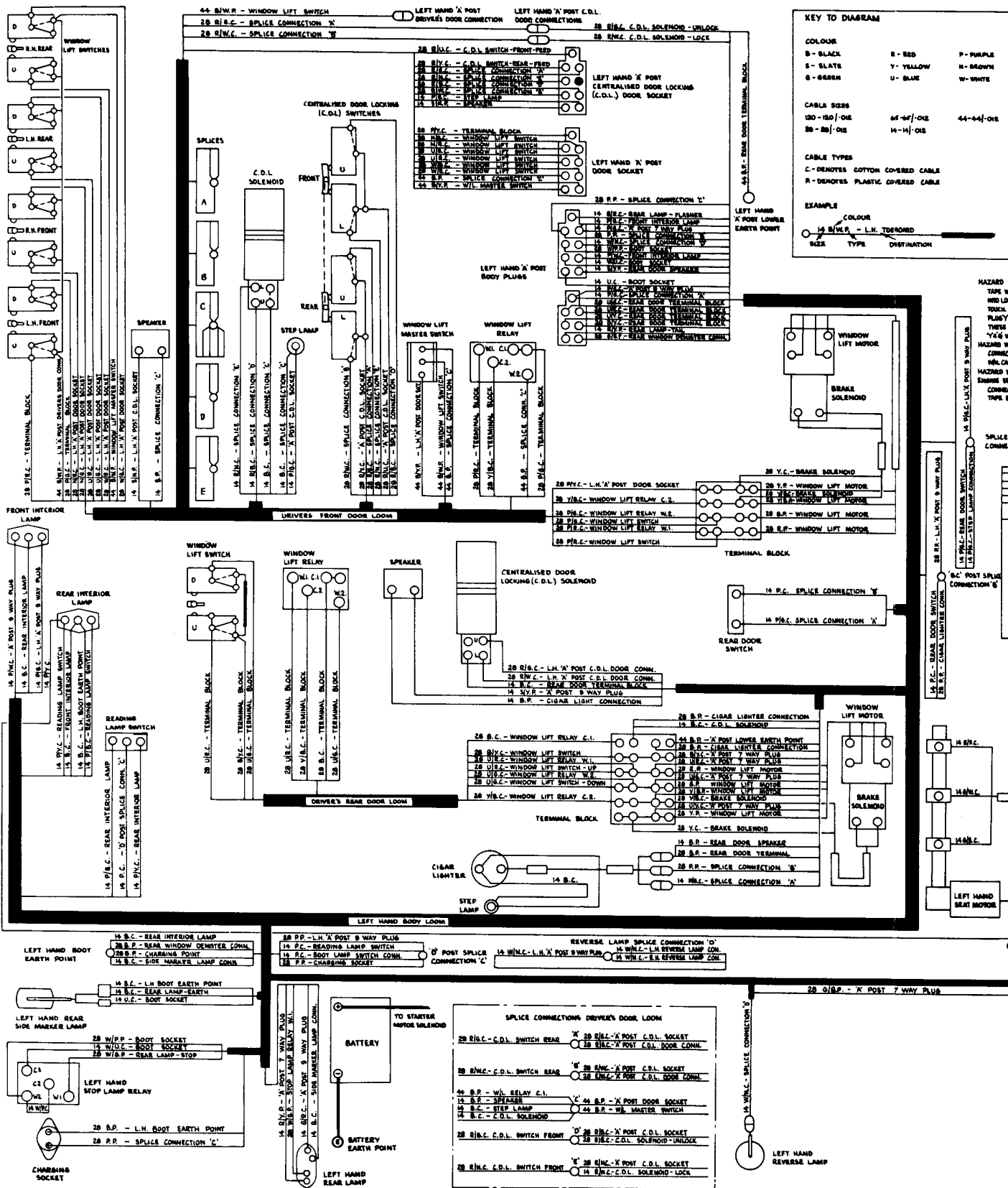
**LEFT-HAND DRIVE CARS FROM
SERIAL NUMBER 9000**

T.S.D. Publications 2724

© Rolls-Royce Limited 1970.

"This document is the property of Rolls-Royce Limited and may not be copied or communicated to a third party or used for any purpose other than that for which it is supplied without the express written authority of Rolls-Royce Limited."

"Whilst the information in this document given in good faith based upon the latest knowledge available to Rolls-Royce Limited, Rolls-Royce Limited gives no warranty or representation concerning such information, and such information must not be taken as establishing any contractual or other commitment on the part of Rolls-Royce Limited."



SPICE CONNECTIONS DRIVER'S DOOR LOOM

28 B1/C - C.D.L. SWITCH REAR	X	28 B1/C - X POST C.D.L. SOCKET
28 B1/C - C.D.L. SWITCH REAR	W	28 B1/C - X POST C.D.L. DOOR CONN.
28 B1/C - C.D.L. SWITCH REAR	U	28 B1/C - X POST C.D.L. SOCKET
44 B.P. - W/L RELAY C.I.	C	44 B.P. - X POST DOOR SOCKET
14 B.P. - SPEAKER	C	44 B.P. - X POST DOOR SOCKET
14 B.C. - STEP LAMP	C	44 B.P. - W/L MASTER SWITCH
14 B.C. - C.D.L. SOLENOID	U	28 B1/C - X POST C.D.L. SOCKET
28 B1/C - C.D.L. SWITCH FRONT	U	28 B1/C - C.D.L. SOLENOID - UNLOCK
28 B1/C - C.D.L. SWITCH FRONT	U	28 B1/C - C.D.L. SOLENOID - LOCK

HAZARD
 TAPE W
 W/D LOR
 TORCH
 PLUG Y
 THESE I
 Y46 W
 HAZARD W
 HAZARD B
 HAZARD B
 HAZARD B
 TAPE B

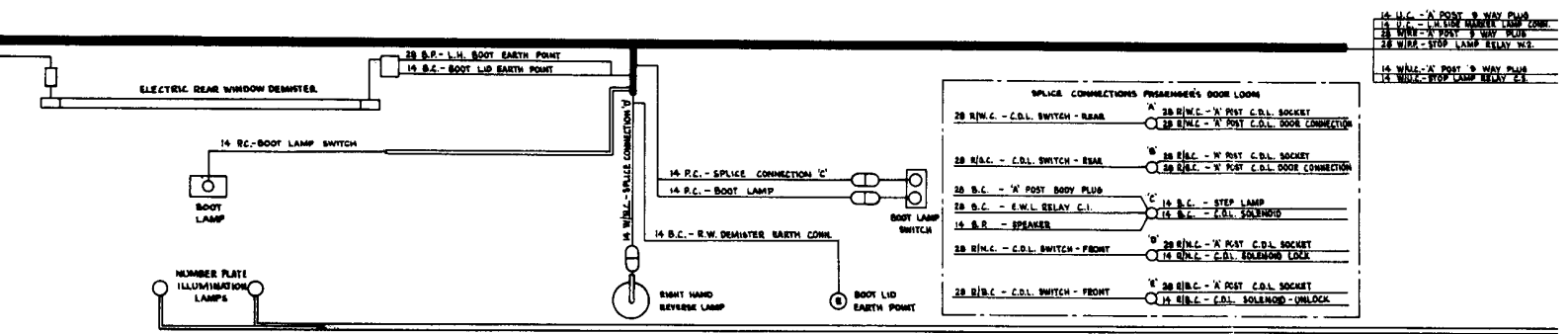
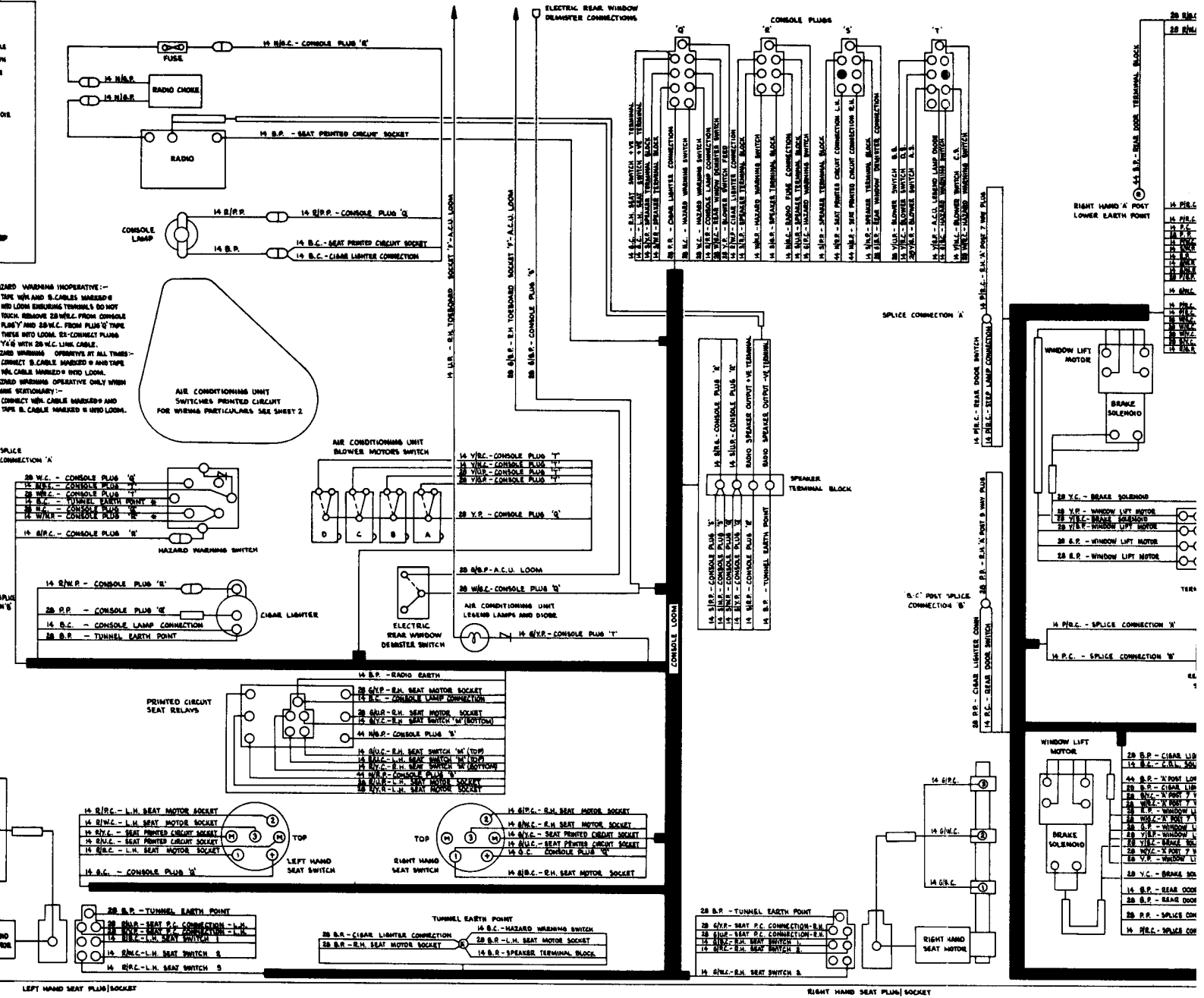
SPICE
 CONN. I
 14 P.C. - REAR DOOR SWITCH
 14 P.C. - REAR DOOR SWITCH
 14 P.C. - REAR DOOR SWITCH

14 P.C. - REAR DOOR SWITCH
 14 P.C. - REAR DOOR SWITCH
 14 P.C. - REAR DOOR SWITCH

14 P.C. - REAR DOOR SWITCH
 14 P.C. - REAR DOOR SWITCH
 14 P.C. - REAR DOOR SWITCH

14 P.C. - REAR DOOR SWITCH
 14 P.C. - REAR DOOR SWITCH
 14 P.C. - REAR DOOR SWITCH

14 P.C. - REAR DOOR SWITCH
 14 P.C. - REAR DOOR SWITCH
 14 P.C. - REAR DOOR SWITCH



- 14 B.C. - 'X' POST 8 WAY PLUG
- 14 B.C. - L.H. SEAT MOTOR MOTOR CONN.
- 28 B.M.C. - 'X' POST 8 WAY PLUG
- 28 W.H.P. - STOP LAMP RELAY W.C.
- 14 W.H.P. - 'X' POST 8 WAY PLUG
- 14 W.H.P. - STOP LAMP RELAY C.I.

PRACTICAL WIRING DIAGRAMS

Sheet 4

Fuseboards and Sockets

for
Rolls-Royce Silver Shadow
and
Bentley T Series

LEFT-HAND DRIVE CARS FROM SERIAL NUMBER 9000

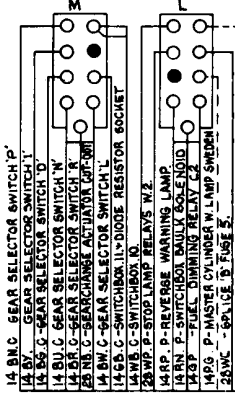
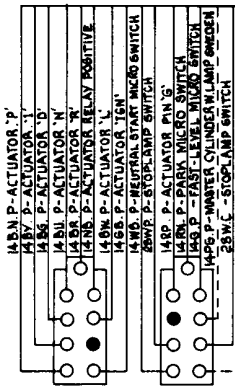
T.S.D. Publications 2724

© Rolls-Royce Limited 1970.

"This document is the property of Rolls-Royce Limited and may not be copied or communicated to a third party or used for any purpose other than that for which it is supplied without the express written authority of Rolls-Royce Limited."

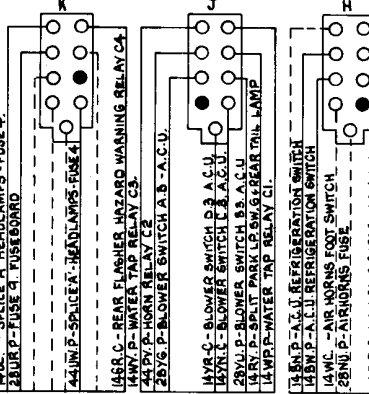
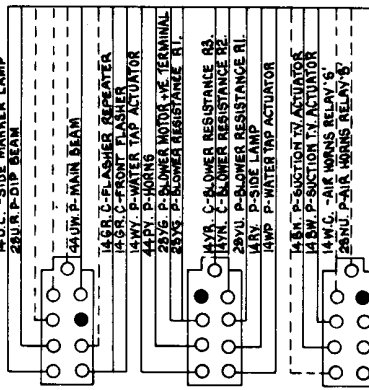
"Whilst the information in this document given in good faith based upon the latest knowledge available to Rolls-Royce Limited, Rolls-Royce Limited gives no warranty or representation concerning such information, and such information must not be taken as establishing any contractual or other commitment on the part of Rolls-Royce Limited."

GEARCHANGE ACTUATOR LOOM



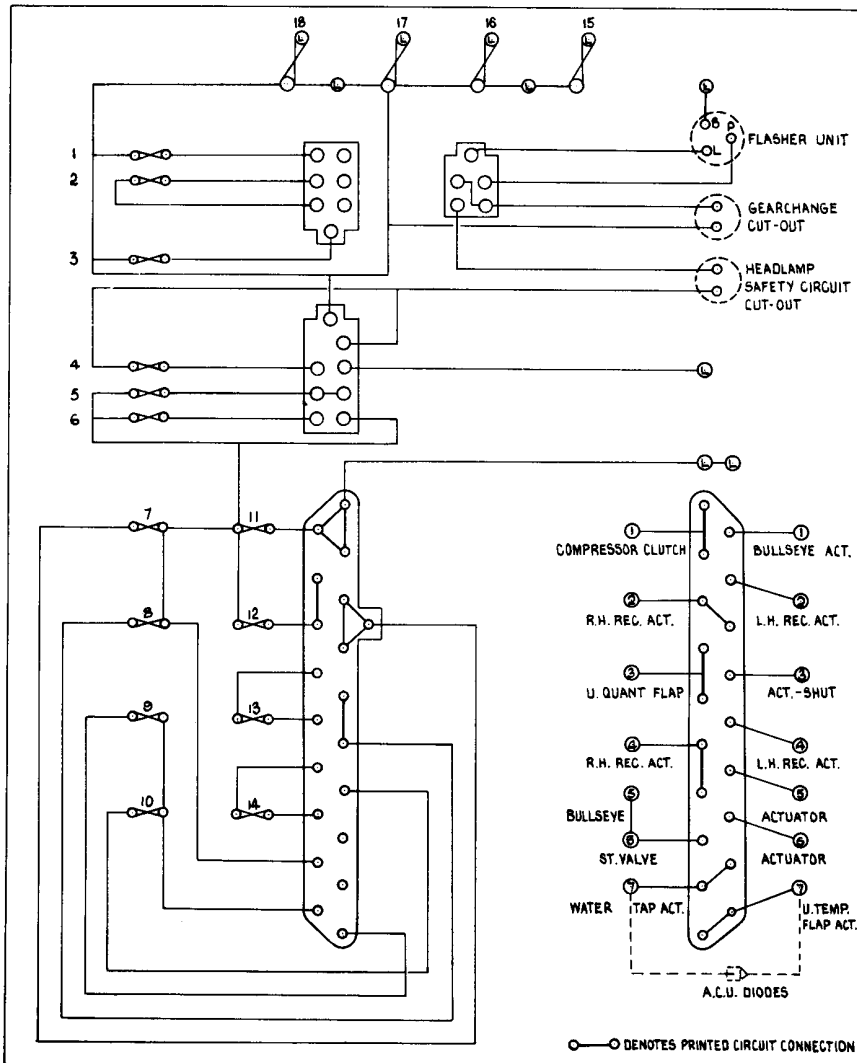
MAIN DISTRIBUTION LOOM

LEFTHAND VALANCE LOOM



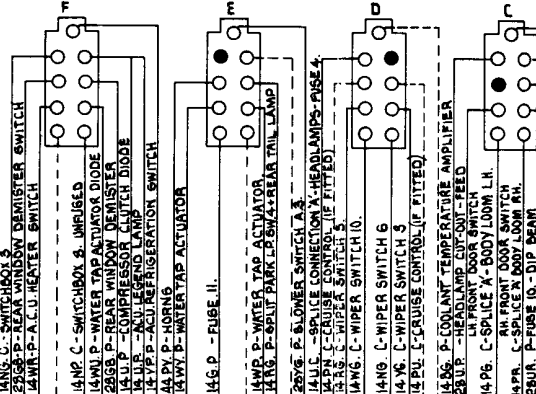
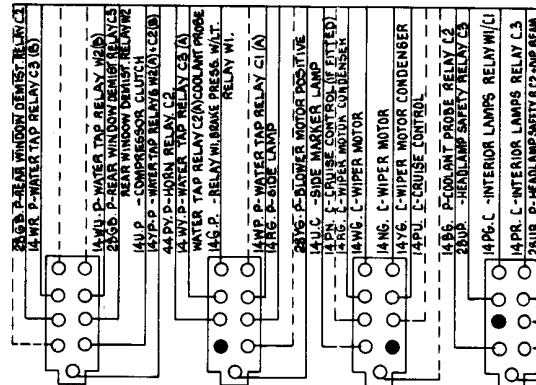
SECONDARY DISTRIBUTION LOOM

LEFT-HAND TOEBOARD SOCKET CONNECTIONS



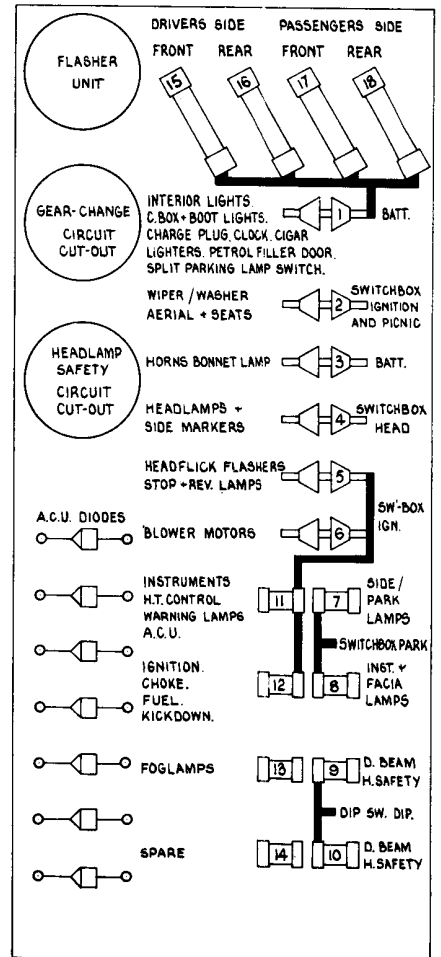
FUSEBOARD PRINTED CIRCUIT-SOCKET AND FUSE CONNECTIONS. VIEWED ON SOCKET FACE OF PRINTED CIRCUIT.

RIGHTHAND VALANCE LOOM

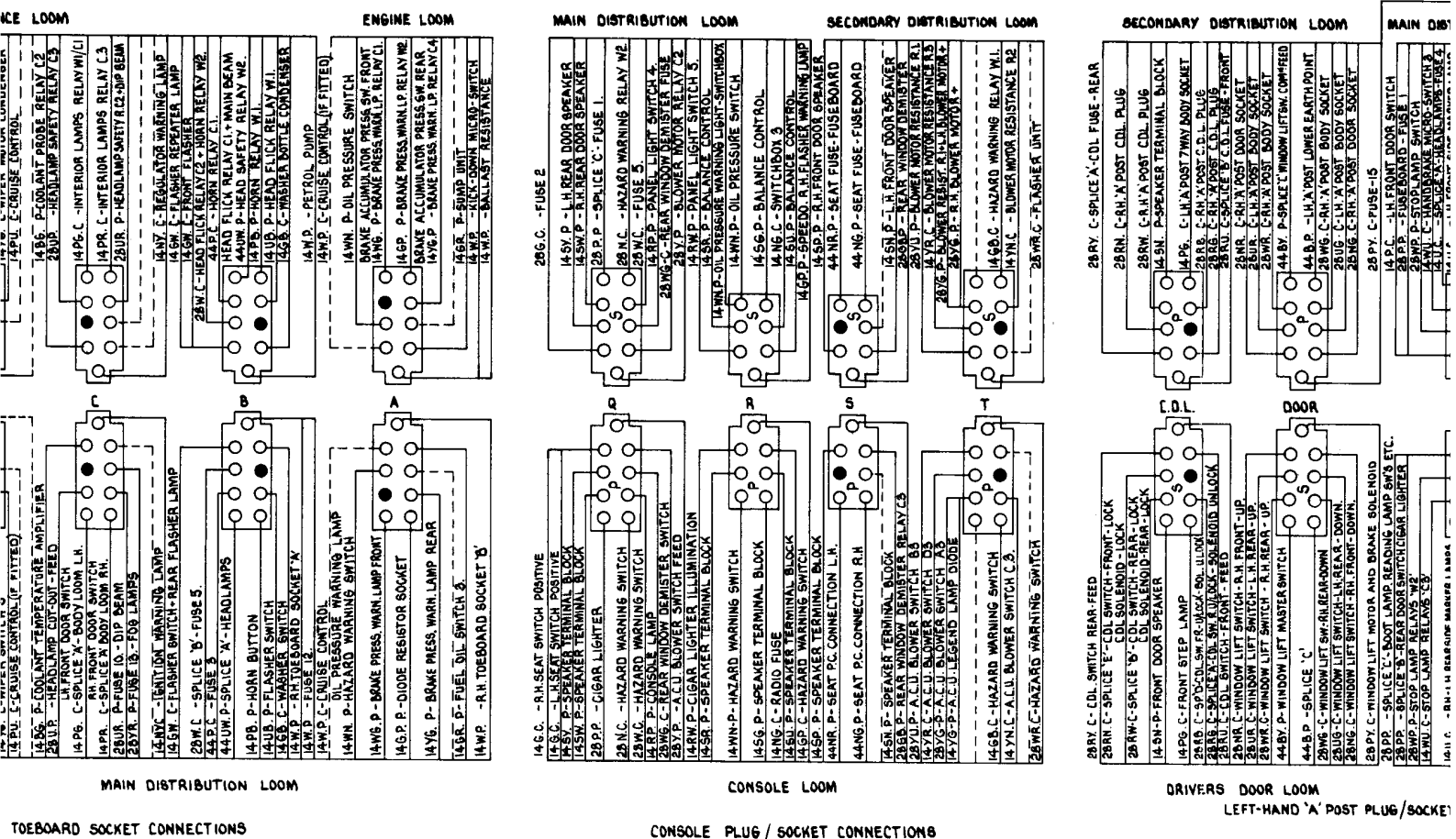


AIR CONDITIONING UNIT LOOM SECONDARY DISTRIBUTION LOOM

RIGHT-HAND TOEBOARD SOCKET



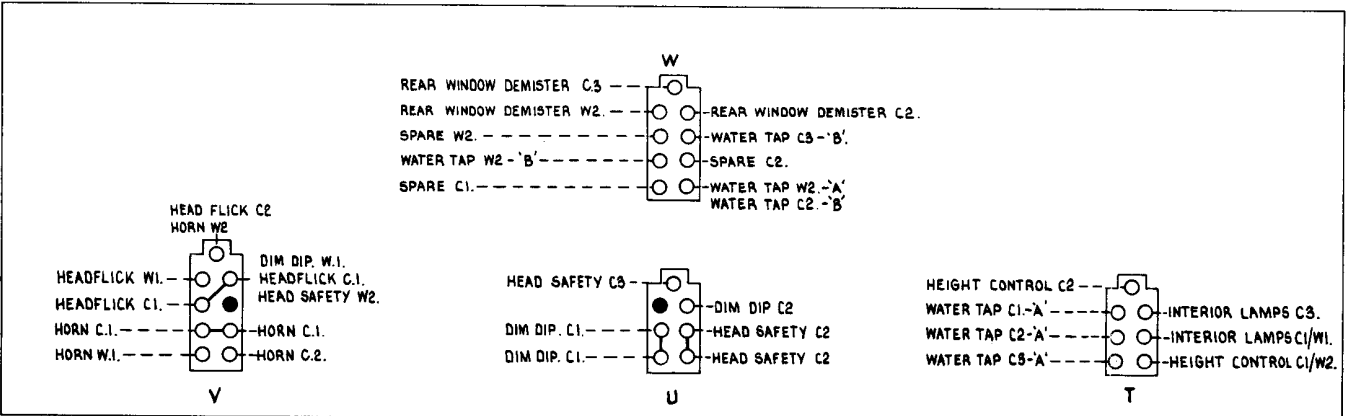
FUSE IDENTIFICATION



TOEBOARD AND PLUG / SOCKET CONNECTIONS
 TO ENABLE THE ABOVE CABLE CONNECTIONS TO BE EASILY FOLLOWED THE CHARTS SHOW THE ACTUAL ORIGIN AND DESTINATION OF EACH CABLE BUT DO NOT TAKE INTO ACCOUNT THE RUN OF THE CABLE WITHIN THE LOOMS.

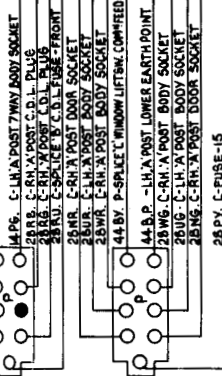
CABLE	FROM	TO
14 BR. P.	PIN 'A' RECEPTACLE - SOCKET	TERMINAL 'R' ACTUATOR
14 BU. P.	PIN 'B' RECEPTACLE - SOCKET	TERMINAL 'N' ACTUATOR
14 BG. P.	PIN 'C' RECEPTACLE - SOCKET	TERMINAL 'D' ACTUATOR
14 BY. P.	PIN 'D' RECEPTACLE - SOCKET	TERMINAL 'I' ACTUATOR
14 BW. P.	PIN 'E' RECEPTACLE - SOCKET	TERMINAL 'L' ACTUATOR
14 BA. P.	PIN 'F' RECEPTACLE - SOCKET	TERMINAL 'GN' ACTUATOR
	PIN 'G' RECEPTACLE - SOCKET	EARTH
14 B.P.	PIN 'H' RECEPTACLE - SOCKET	N. FAST LEVEL MICRO SWITCH 2.
14 YB. P.	PIN 'J' RECEPTACLE - SOCKET	N. START MICRO SWITCH 1
14 WR. P.	PIN 'K' RECEPTACLE - SOCKET	
	PIN 'L' RECEPTACLE - SOCKET	
14 BN. P.	PIN 'M' RECEPTACLE - SOCKET	TERMINAL 'P' ACTUATOR
14 NB. P.	PIN 'N' RECEPTACLE - SOCKET	RELAY POSITIVE
14 RN. P.	PIN 'P' RECEPTACLE - SOCKET	PARK MICRO SWITCH 3
	PIN 'R' RECEPTACLE - SOCKET	
14WB. P.	PIN 'S' RECEPTACLE - SOCKET	N. START MICRO SWITCH 1
14 G.P.	PIN 'T' RECEPTACLE - SOCKET	N. FAST LEVEL MICRO SWITCH 2.

GEARCHANGE ACTUATOR SOCKET TO ACTUATOR TERMINAL CONNECTIONS

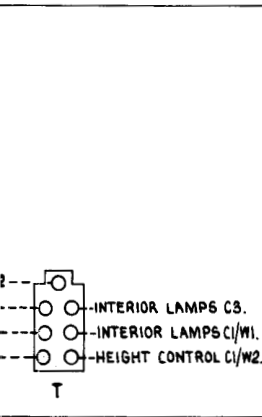
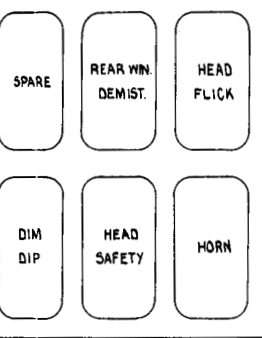


'W' TERMINAL ON HEAD LAMP SAFETY, BOTH WATER TAP, HT. CONTROL, SPARE AND REAR WINDOW DEMIST RELAYS EARTHED AS IS 'W2' ON INTERIOR LAMPS RELAY.
 RELAY BOARD PRINTED CIRCUIT-RELAYS TO SOCKET CONNECTIONS. VIEWED ON SOCKET FACE OF PRINTED CIRCUIT

DRIVERS DOOR LOOM

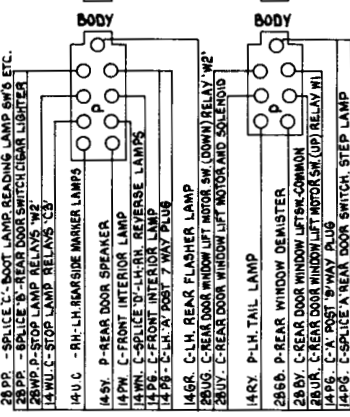
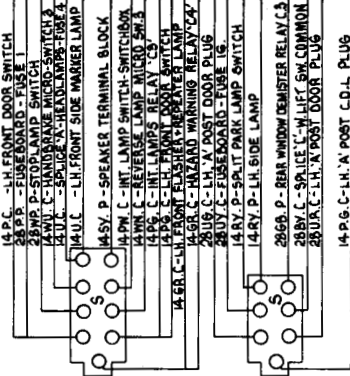


DRIVERS DOOR LOOM LEFT-HAND 'A' POST PLUG/SOCKET CONNECTIONS

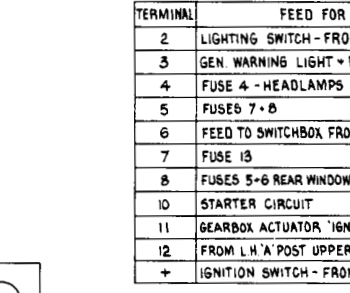


INTERIOR LAMPS RELAY

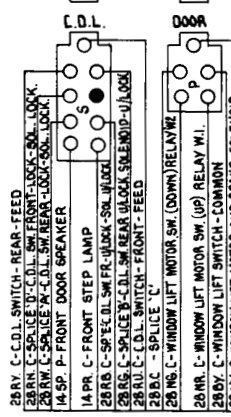
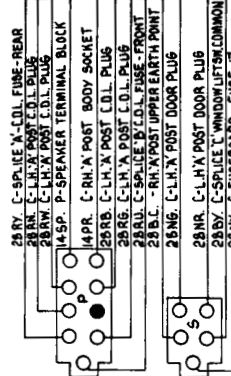
MAIN DISTRIBUTION LOOM



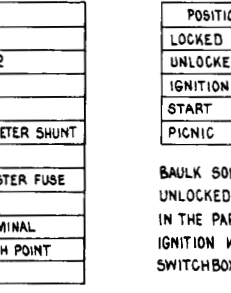
LEFT HAND BODY LOOM



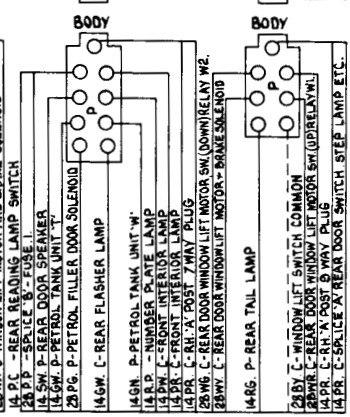
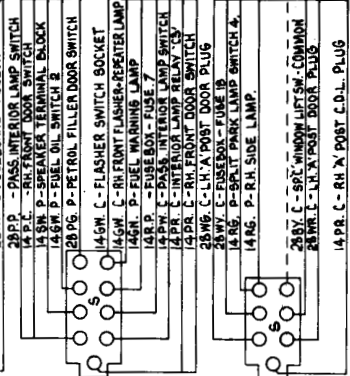
SECONDARY DISTRIBUTION LOOM



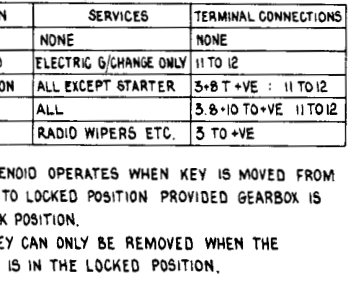
PASSENGERS DOOR LOOM



MAIN DISTRIBUTION LOOM



R.H. BODY LOOM



PASSENGERS DOOR LOOM RIGHT-HAND 'A' POST PLUG/SOCKET CONNECTIONS

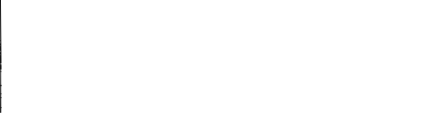
TERMINAL	FEED FOR
2	LIGHTING SWITCH - FROM 6
3	GEN. WARNING LIGHT + FUSE 2
4	FUSE 4 - HEADLAMPS
5	FUSES 7 + 8
6	FEED TO SWITCHBOX FROM AMMETER SHUNT
7	FUSE 13
8	FUSES 5-6 REAR WINDOW DEMISTER FUSE
10	STARTER CIRCUIT
11	GEARBOX ACTUATOR 'IGN' TERMINAL
12	FROM L.H. 'A' POST UPPER EARTH POINT
+	IGNITION SWITCH - FROM 6

POSITION	SERVICES	TERMINAL CONNECTIONS
LOCKED	NONE	NONE
UNLOCKED	ELECTRIC G/CHANGE ONLY	11 TO 12
IGNITION ON	ALL EXCEPT STARTER	3+8+VE : 11 TO 12
START	ALL	3,8+10 TO+VE 11 TO 12
PICNIC	RADIO WIPERS ETC.	5 TO +VE

BAULK SOLENOID OPERATES WHEN KEY IS MOVED FROM UNLOCKED TO LOCKED POSITION PROVIDED GEARBOX IS IN THE PARK POSITION.
IGNITION KEY CAN ONLY BE REMOVED WHEN THE SWITCHBOX IS IN THE LOCKED POSITION.

SWITCHBOX PARTICULARS

RELAY BOARD PRINTED CIRCUIT- POSITION OF RELAYS VIEWED ON RELAY FACE OF PRINTED CIRCUIT



KEY TO DIAGRAM.

CABLE COLOURS.
 B - BLACK R - RED P - PURPLE S - SLATE Y - YELLOW
 N - BROWN G - GREEN U - BLUE W - WHITE

CABLE SIZES.
 120-120/.012. 44-44/.012. 28-28/.012. 14-14/.010.

CABLE TYPES.
 'C'-DENOTES COTTON COVERED CABLE. 'P'-DENOTES PLASTIC COVERED CABLE

EXAMPLE
 M B.W.P. - L.H. TOEBOARD SOCKET. M.

Section 11

LEFT-HAND DRIVE LONG WHEELBASE CARS WITH DIVISION FROM SERIAL NUMBER 9000

APPLICATION	SHEET No.
Engine Compartment Looms	1
Instrument and Facia Looms	2
Body Looms, Door and Console Looms	3
Division and Air Conditioning Boot Unit Looms	4

Printed in England

April 1971

T.S.D. 2476

PRACTICAL WIRING DIAGRAMS

Sheet 1
Engine Compartment Looms

for
Rolls-Royce Silver Shadow
and
Bentley T Series

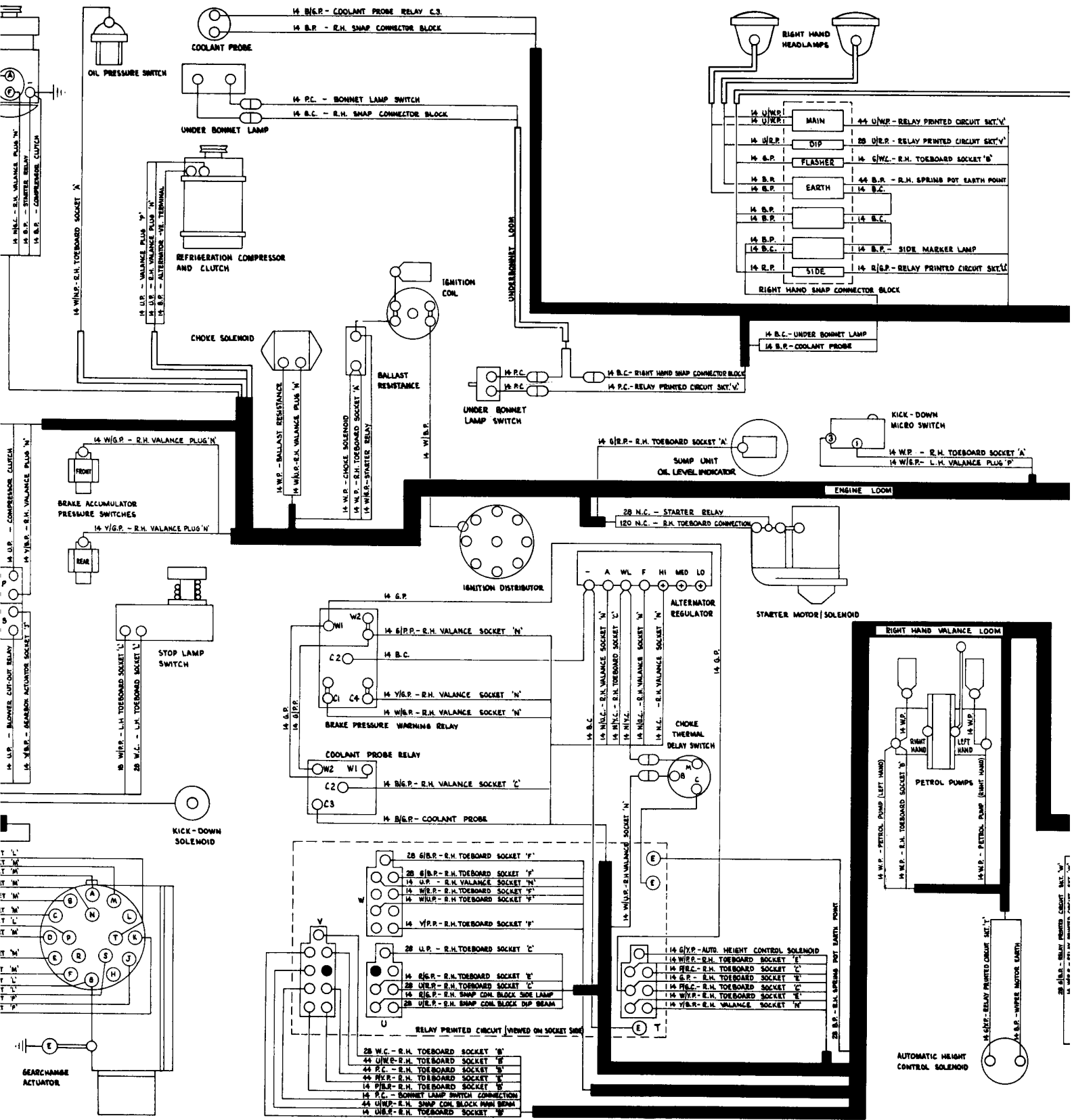
**LEFT-HAND DRIVE LONG-WHEELBASE
CARS WITH DIVISION FROM SERIAL
NUMBER 9000**

T. S. D. Publications 2718

© Rolls-Royce Limited 1970.

"This document is the property of Rolls-Royce Limited and may not be copied or communicated to a third party or used for any purpose other than that for which it is supplied without the express written authority of Rolls-Royce Limited."

"Whilst the information in this document given in good faith based upon the latest knowledge available to Rolls-Royce Limited. Rolls-Royce Limited gives no warranty or representation concerning such information, and such information must not be taken as establishing any contractual or other commitment on the part of Rolls-Royce Limited."



28 W.C. - R.H. TOEBOARD SOCKET 'N'
 14 W.P. - R.H. TOEBOARD SOCKET 'N'

14 B.C. - RELAY PRINTED CIRCUIT SKT. 'V'
 14 W.P. - R.H. TOEBOARD SOCKET 'A'

PRACTICAL WIRING DIAGRAMS

Sheet 2
Instrument and Facia Looms

for
Rolls-Royce Silver Shadow
and
Bentley T Series

**LEFT-HAND DRIVE LONG-WHEELBASE
CARS WITH DIVISION FROM SERIAL
NUMBER 9000**

T. S. D. Publications 2718

© Rolls-Royce Limited 1970.

"This document is the property of Rolls-Royce Limited and may not be copied or communicated to a third party or used for any purpose other than that for which it is supplied without the express written authority of Rolls-Royce Limited."

"Whilst the information in this document given in good faith based upon the latest knowledge available to Rolls-Royce Limited, Rolls-Royce Limited gives no warranty or representation concerning such information, and such information must not be taken as establishing any contractual or other commitment on the part of Rolls-Royce Limited."

PRACTICAL WIRING DIAGRAMS

Sheet 3
Body Looms Door and Console
Looms

for
Rolls-Royce Silver Shadow
and
Bentley T Series

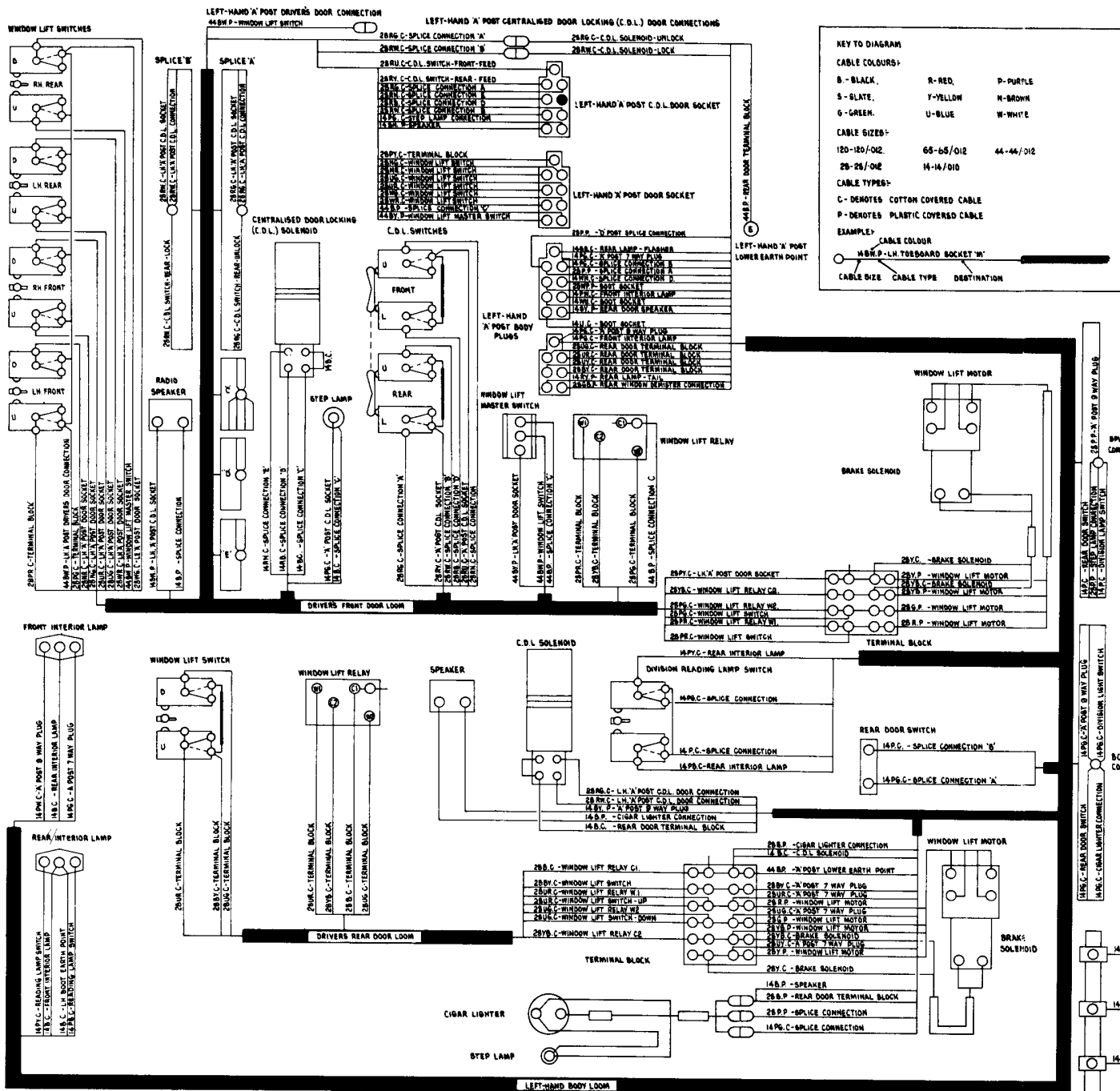
LEFT-HAND DRIVE LONG-WHEELBASE
CARS WITH DIVISION FROM SERIAL
NUMBER 9000

T.S.D. Publications 2718

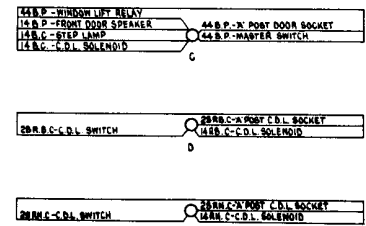
© Rolls-Royce Limited 1970.

"This document is the property of Rolls-Royce Limited and may not be copied or communicated to a third party or used for any purpose other than that for which it is supplied without the express written authority of Rolls-Royce Limited."

"Whilst the information in this document given in good faith based upon the latest knowledge available to Rolls-Royce Limited, Rolls-Royce Limited gives no warranty or representation concerning such information, and such information must not be taken as establishing any contractual or other commitment on the part of Rolls-Royce Limited."



HAZARD WARNING OPERATIVE:
 TAPE W# AND B# CABLE MARKED # INTO LOOM ENSURING TERMINALS DO NOT TOUCH REMOVE 28W.C. FROM CONSOLE PLUG T AND 28W.C. FROM PLUG Q AND TAPE THESE INTO LOOM RE-CONNECT PLUGS T AND Q WITH 28W.C. LINKABLE HAZARD WARNING OPERATIVE ALL TIMES.
 CONNECT B# CABLE MARKED # AND TAPE W# CABLE MARKED # INTO LOOM HAZARD WARNING OPERATIVE ONLY WHEN ENGINE STATIONARY.
 CONNECT W# CABLE MARKED # AND TAPE B# CABLE MARKED # INTO LOOM



DRIVER'S FRONT DOOR (SPICE CONNECTIONS)

PRACTICAL WIRING DIAGRAMS

Sheet 4
Division and Air Conditioning
Boot Unit Looms

for
Rolls-Royce Silver Shadow
and
Bentley T Series

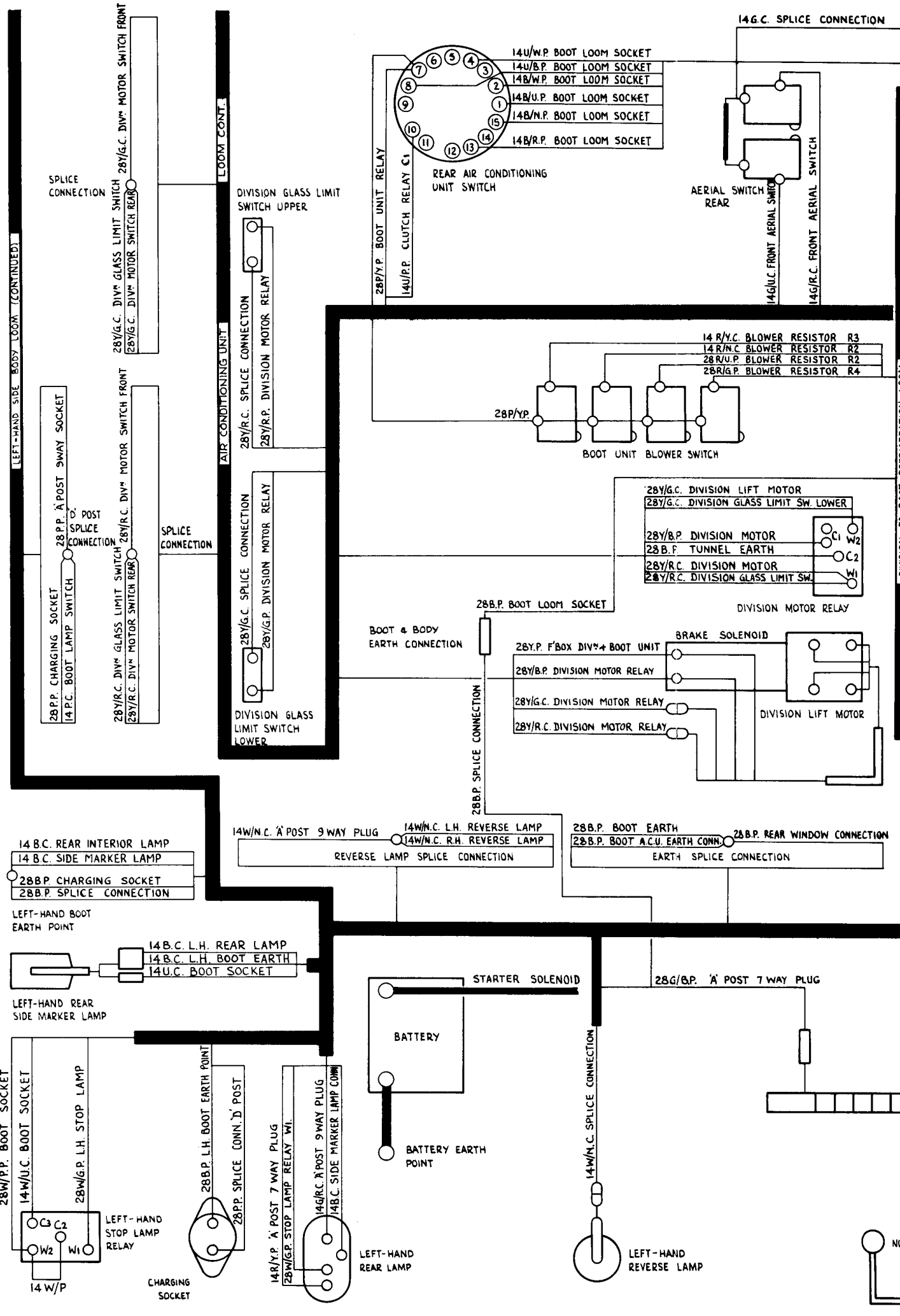
LEFT-HAND DRIVE LONG-WHEELBASE
CARS WITH DIVISION FROM SERIAL
NUMBER 9000

T.S.D. Publications 2718

© Rolls-Royce Limited 1970.

"This document is the property of Rolls-Royce Limited and may not be copied or communicated to a third party or used for any purpose other than that for which it is supplied without the express written authority of Rolls-Royce Limited."

"Whilst the information in this document given in good faith based upon the latest knowledge available to Rolls-Royce Limited, Rolls-Royce Limited gives no warranty or representation concerning such information, and such information must not be taken as establishing any contractual or other commitment on the part of Rolls-Royce Limited."



LEFT-HAND SIDE BODY LOOM (CONTINUED)

AIR CONDITIONING UNIT

DIVISION TO BOOT REFRIGERATION LOOM

14U/W.P. BOOT LOOM SOCKET
14U/B.P. BOOT LOOM SOCKET
14B/W.P. BOOT LOOM SOCKET
14B/U.P. BOOT LOOM SOCKET
14B/N.P. BOOT LOOM SOCKET
14B/R.P. BOOT LOOM SOCKET

14G.C. SPLICE CONNECTION

SPLICE CONNECTION

28Y/G.C. DIV. GLASS LIMIT SWITCH
28Y/G.C. DIV. MOTOR SWITCH REAR

LOOM CONT.

DIVISION GLASS LIMIT SWITCH UPPER

28Y/R.C. SPLICE CONNECTION
28Y/R.P. DIVISION MOTOR RELAY

REAR AIR CONDITIONING UNIT SWITCH

AERIAL SWITCH REAR

14G/U.C. FRONT AERIAL SWITCH

14G/R.C. FRONT AERIAL SWITCH

28P.P. CHARGING SOCKET
14P.C. BOOT LAMP SWITCH
28P.P. A POST SWAY SOCKET
28P.P. A POST SPLICE CONNECTION

28Y/R.C. DIV. GLASS LIMIT SWITCH REAR
28Y/R.C. DIV. MOTOR SWITCH FRONT

SPLICE CONNECTION

28Y/G.C. SPLICE CONNECTION
28Y/G.P. DIVISION MOTOR RELAY

BOOT & BODY EARTH CONNECTION

28P/Y.P.

BOOT UNIT BLOWER SWITCH

14 R/Y.C. BLOWER RESISTOR R3
14 R/N.C. BLOWER RESISTOR R2
28 R/U.P. BLOWER RESISTOR R2
28 R/G.P. BLOWER RESISTOR R4

28Y/G.C. DIVISION LIFT MOTOR
28Y/G.C. DIVISION GLASS LIMIT SW. LOWER
28Y/B.P. DIVISION MOTOR
28 B.F. TUNNEL EARTH
28Y/R.C. DIVISION MOTOR
28Y/R.C. DIVISION GLASS LIMIT SW.

DIVISION MOTOR RELAY

28B.P. BOOT LOOM SOCKET

28B.P. SPLICE CONNECTION

28Y.P. F'BOX DIV. BOOT UNIT
28Y/B.P. DIVISION MOTOR RELAY
28Y/G.C. DIVISION MOTOR RELAY
28Y/R.C. DIVISION MOTOR RELAY

BRAKE SOLENOID

DIVISION LIFT MOTOR

14 B.C. REAR INTERIOR LAMP
14 B.C. SIDE MARKER LAMP
28B.P. CHARGING SOCKET
28B.P. SPLICE CONNECTION

LEFT-HAND BOOT EARTH POINT

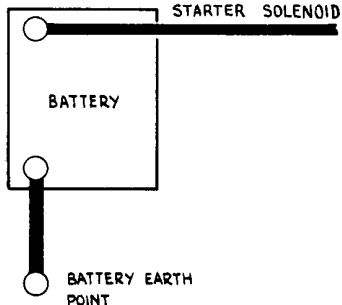
14W/N.C. A POST 9 WAY PLUG
14W/N.C. L.H. REVERSE LAMP
14W/N.C. R.H. REVERSE LAMP
REVERSE LAMP SPLICE CONNECTION

28B.P. BOOT EARTH
28B.P. BOOT A.C.U. EARTH CONN.
EARTH SPLICE CONNECTION

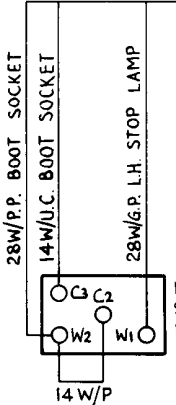
28B.P. REAR WINDOW CONNECTION

14 B.C. L.H. REAR LAMP
14 B.C. L.H. BOOT EARTH
14 U.C. BOOT SOCKET

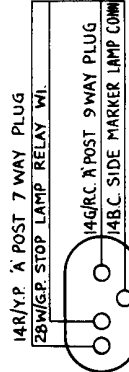
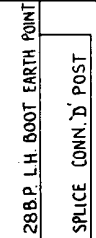
LEFT-HAND REAR SIDE MARKER LAMP



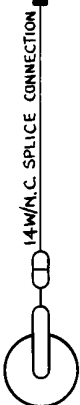
28G/B.P. A POST 7 WAY PLUG



CHARGING SOCKET



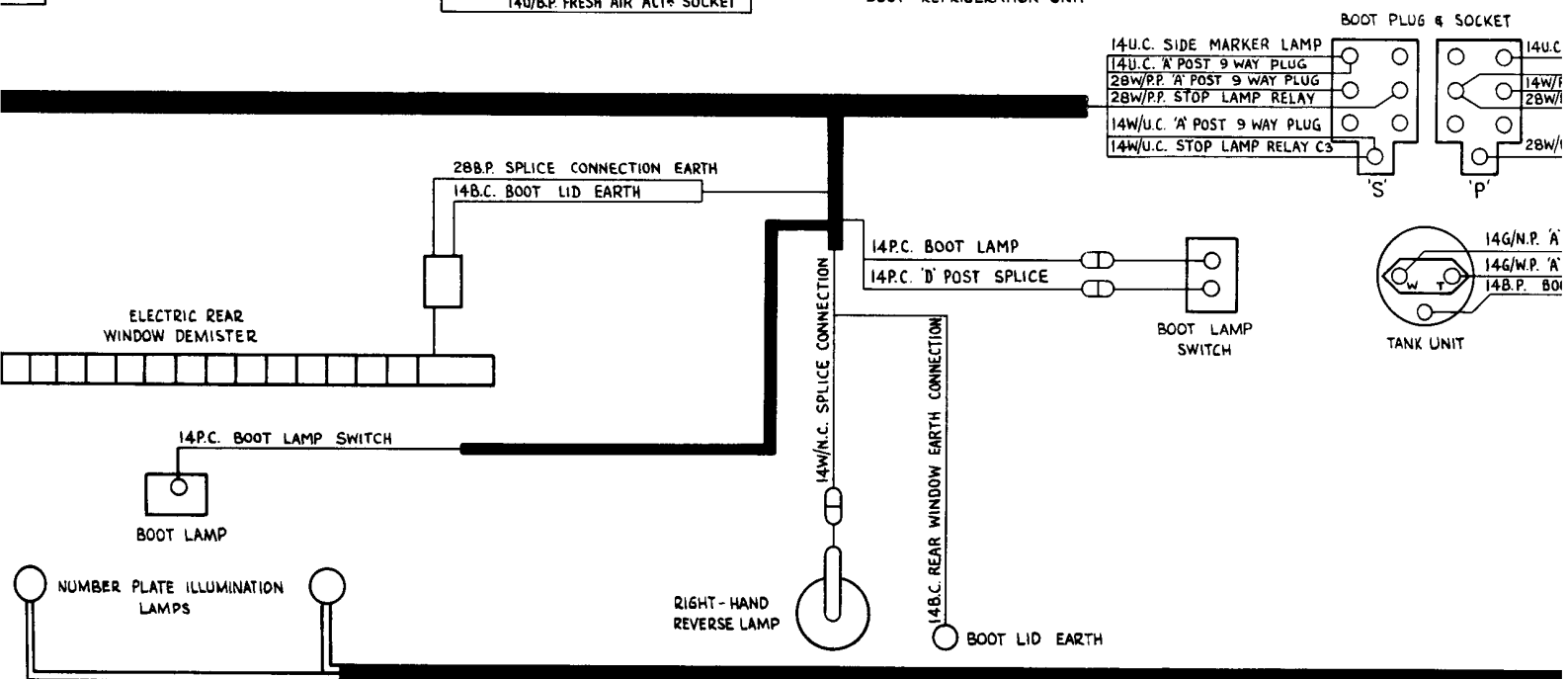
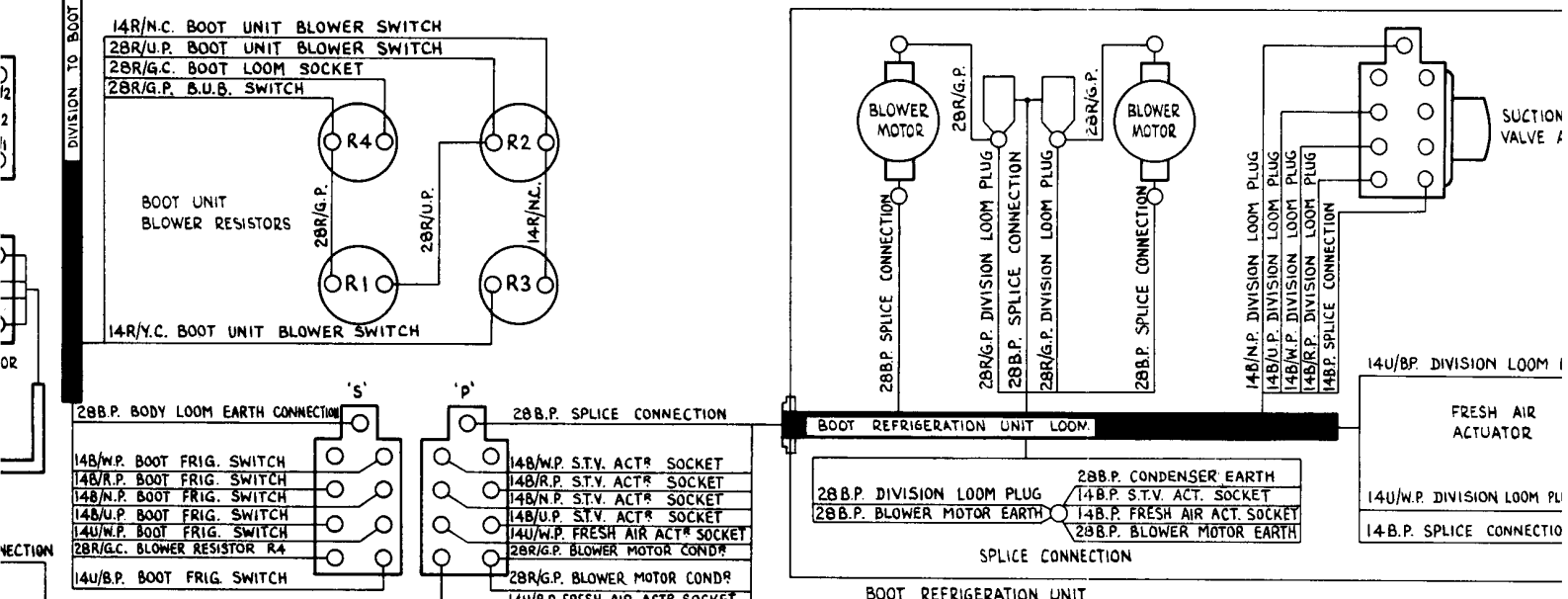
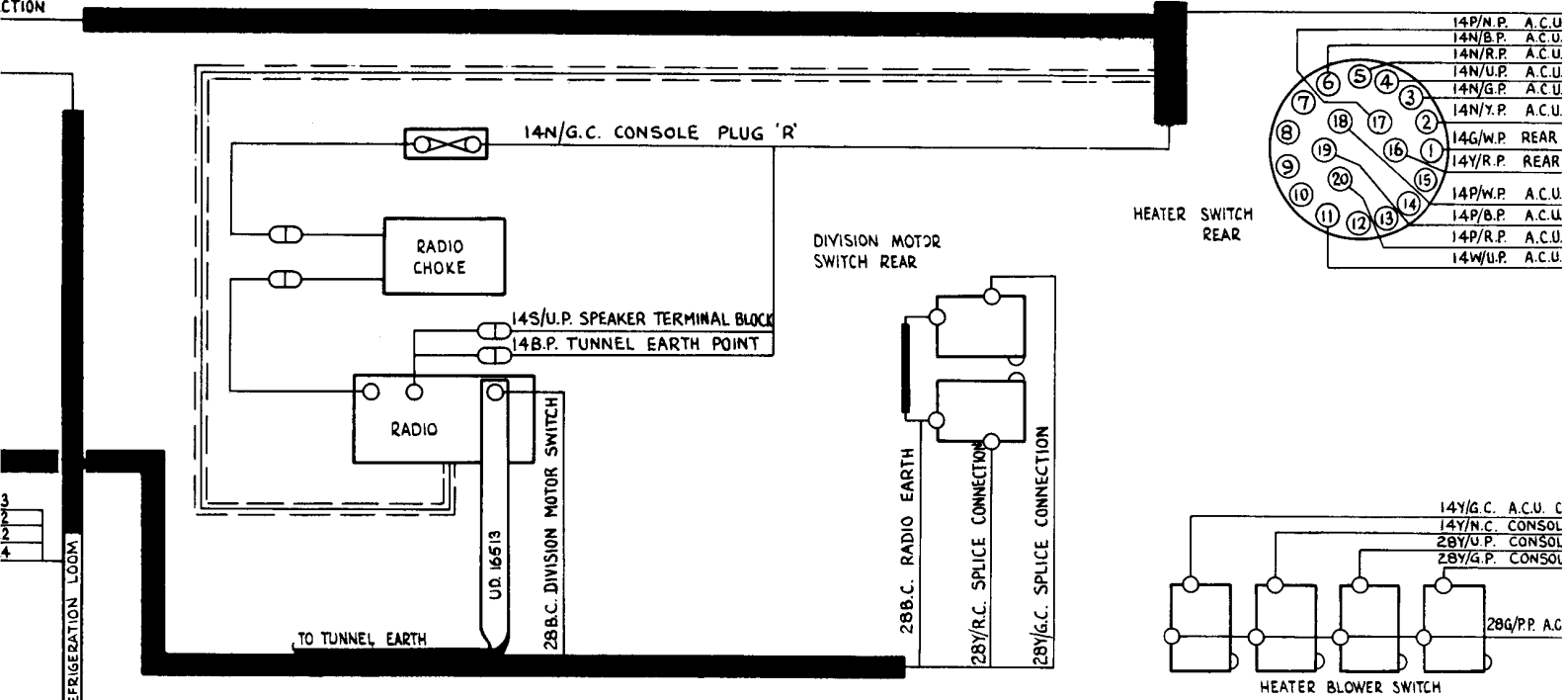
LEFT-HAND REAR LAMP

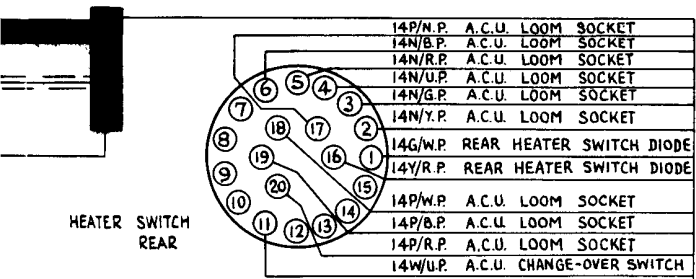


LEFT-HAND REVERSE LAMP

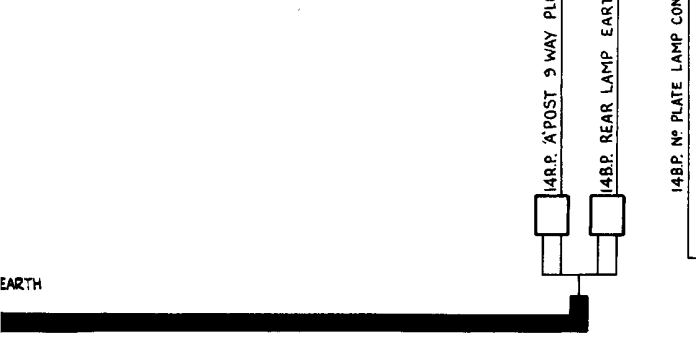
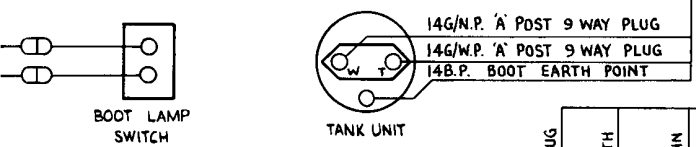
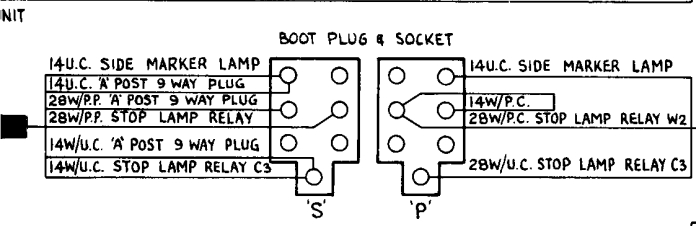
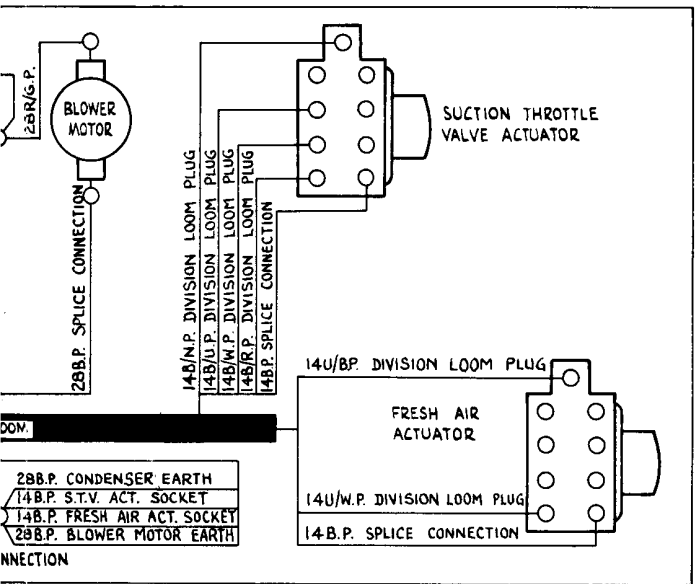
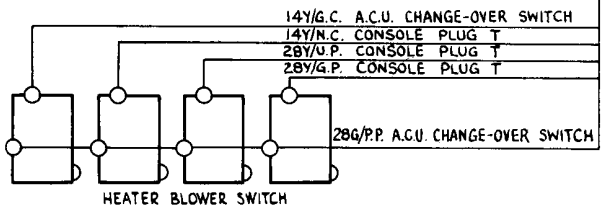


CTION





HEATER SWITCH REAR



KEY TO DIAGRAM

CABLE COLOURS

B - BLACK	R - RED	P - PURPLE
S - SLATE	Y - YELLOW	N - BROWN
G - GREEN	U - BLUE	W - WHITE

CABLE SIZES

120 - 120/.012	65 - 65/.012	44 - 44/.012
28 - 28/.012		14 - 14/.010

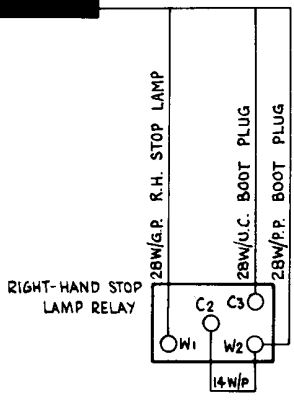
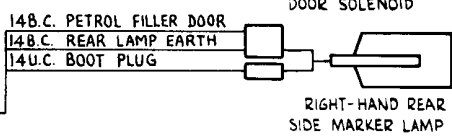
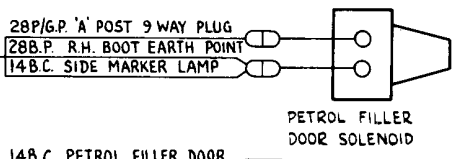
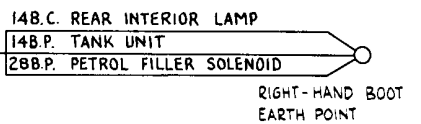
C - DENOTES COTTON COVERED CABLE
P - DENOTES PLASTIC COVERED CABLE

EXAMPLE

14 BW P - L.H. TOEBOARD SOCKET M.

CABLE SIZE CABLE COLOUR CABLE TYPE DESTINATION

RIGHT-HAND SIDE BODY LOOM (CONTINUED)



Section 12

LEFT-HAND AND RIGHT-HAND DRIVE CARS FROM SERIAL NUMBER 9000

APPLICATION

SHEET No.

Radio Receiver and Stereo Tape
Playing Equipment

1

Radio Receiver and Stereo Tape
Playing Equipment - continued

2

Printed in England

April 1971

T.S.D. 2476

PRACTICAL WIRING DIAGRAMS

Sheet 1
Radio Receiver and Stereo Tape
Playing Equipment

for
Rolls-Royce Silver Shadow
and
Bentley T Series

ALL LEFT-HAND AND RIGHT-HAND DRIVE
CARS FROM SERIAL NUMBER 9000

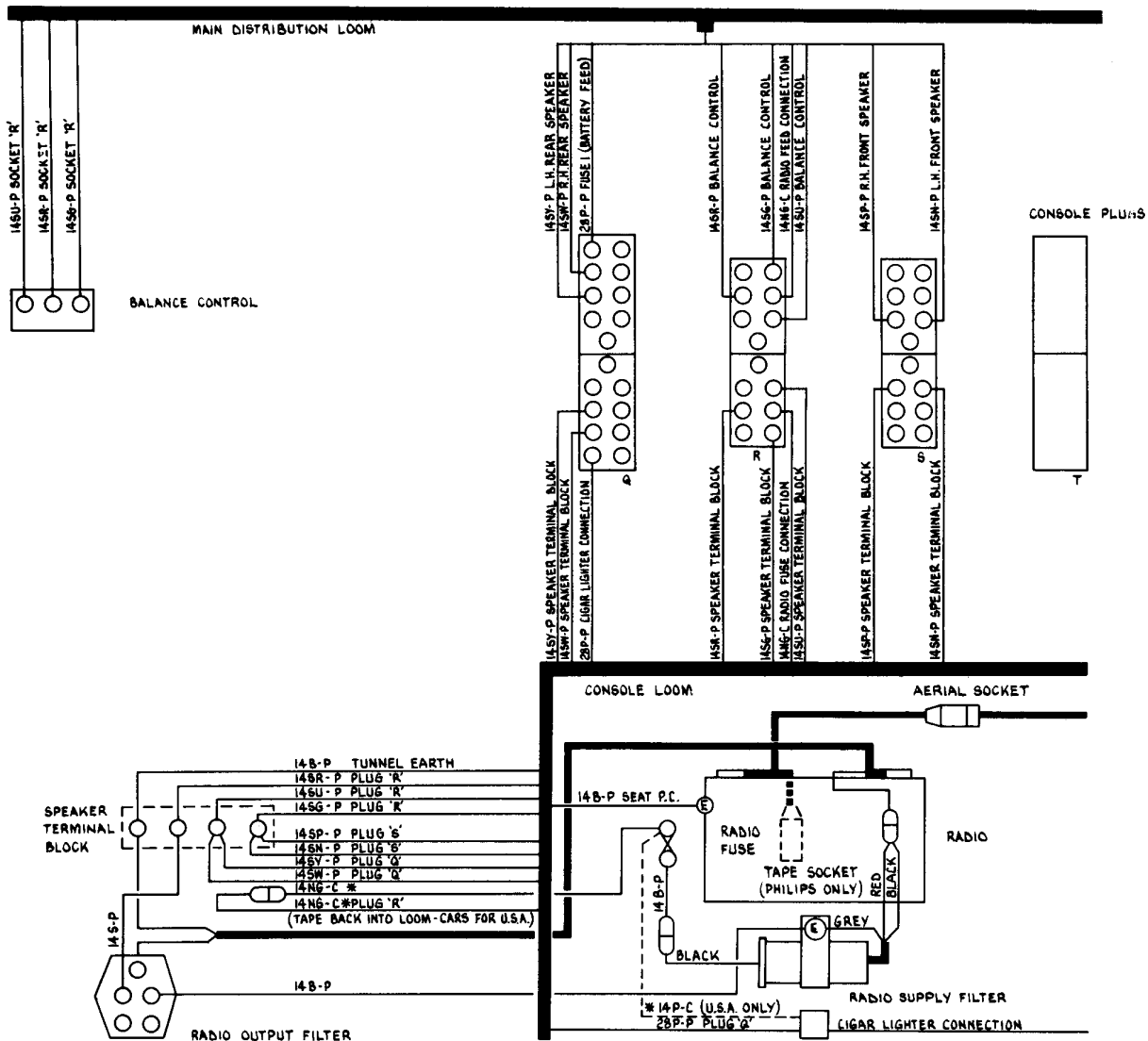
T.S.D. Publications 2801

“© Rolls-Royce Motors Limited 1971”

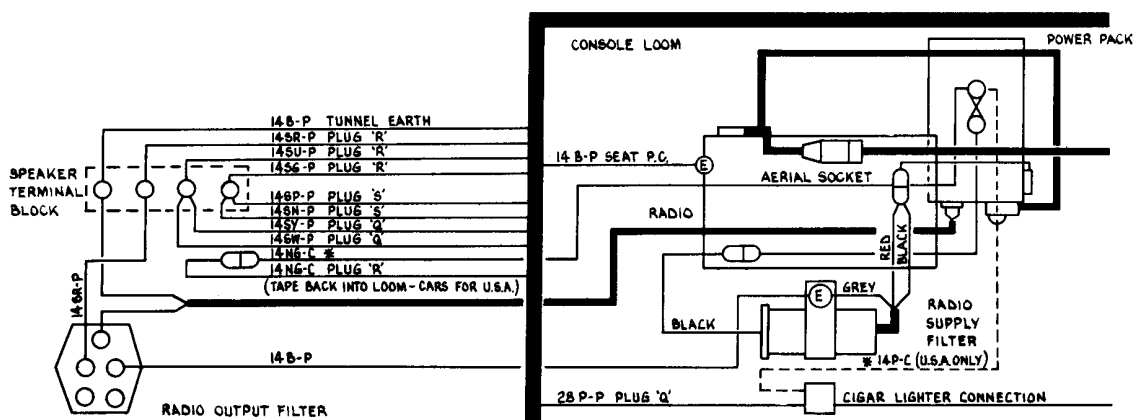
“This document is the property of Rolls-Royce Motors Limited and may not be copied or communicated to a third party or used for any purpose other than that for which it is supplied without the express written authority of Rolls-Royce Motors Limited.”

“Whilst the information in this document is given in good faith based upon the latest knowledge available to Rolls-Royce Motors Limited, Rolls-Royce Motors Limited gives no warranty or representation concerning such information, and such information must not be taken as establishing any contractual or other commitment on the part of Rolls-Royce Motors Limited.”

MONO OUTPUT RADIO

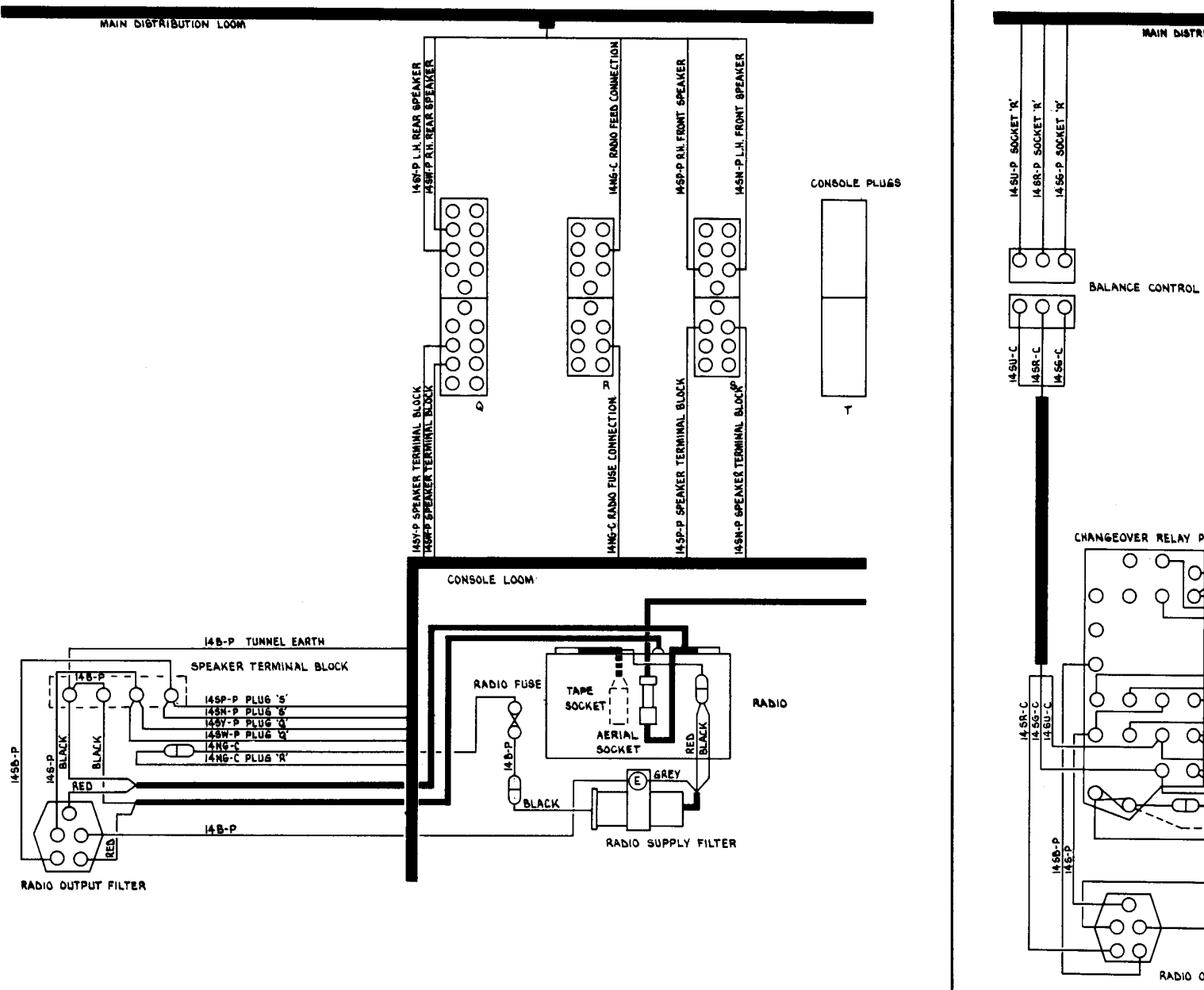


PHILIPS RN 681 1075
RN 691 RADIOMOBILE 1077

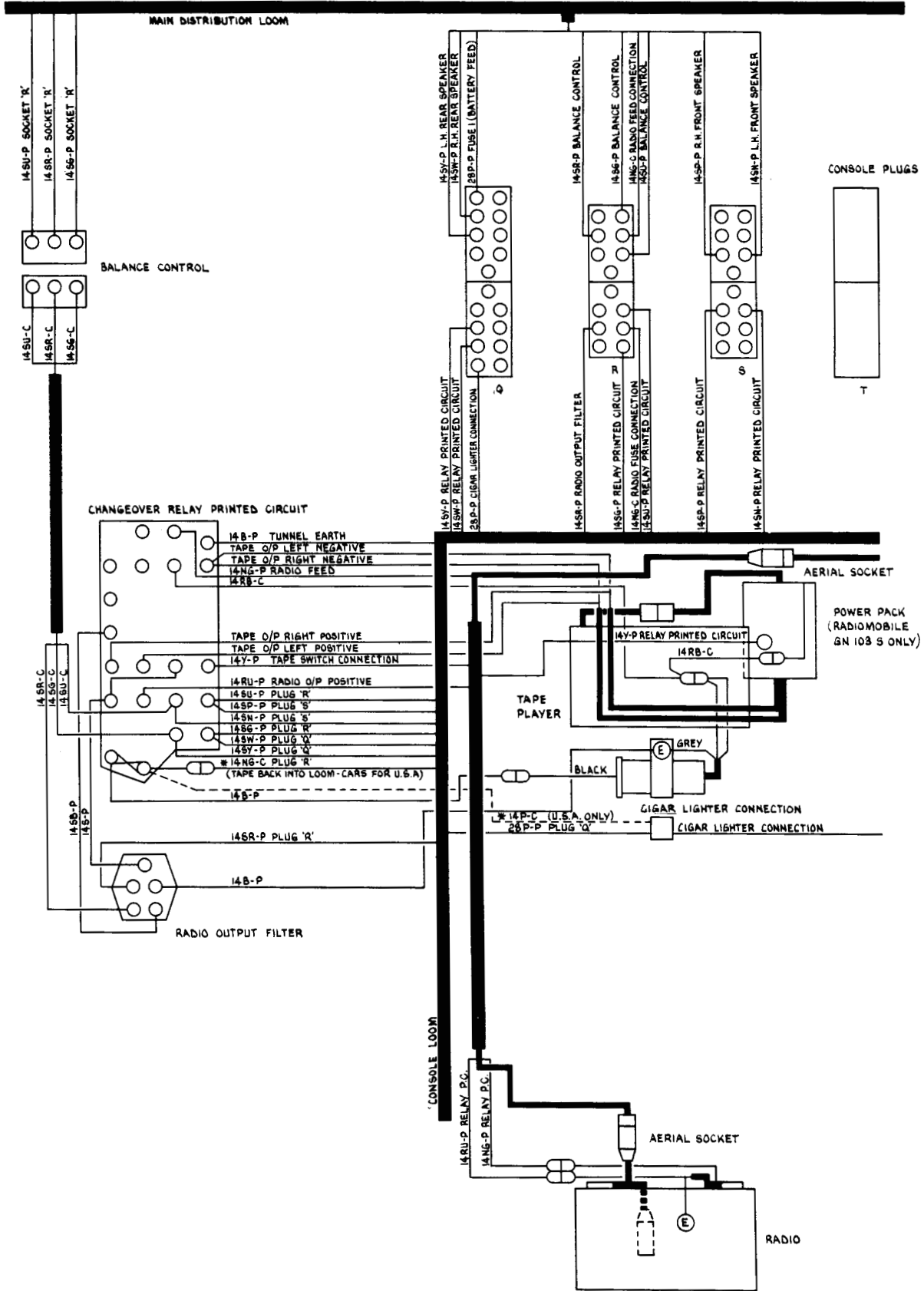


BOSCH KOLN 'K' NEW YORKER 'X'

STEREO OUTPUT RADIO



MONO OUTPUT RADIO AND STEREO TAPE PLAYER



RADIOMOBILE (VOXSON) GN 103S OR PHILIPS N2602 WITH PHILIPS 22RN681 OR 22RN691 OR RADIOMOBILE 1075 OR 1077 OR BOSCH KOLN 'K' OR NEW YORKER 'X'

PRACTICAL WIRING DIAGRAMS

Sheet 2
Radio Receiver and Stereo Tape
Playing Equipment

for
Rolls-Royce Silver Shadow
and
Bentley T Series

ALL LEFT-HAND AND RIGHT-HAND DRIVE
CARS FROM SERIAL NUMBER 9000

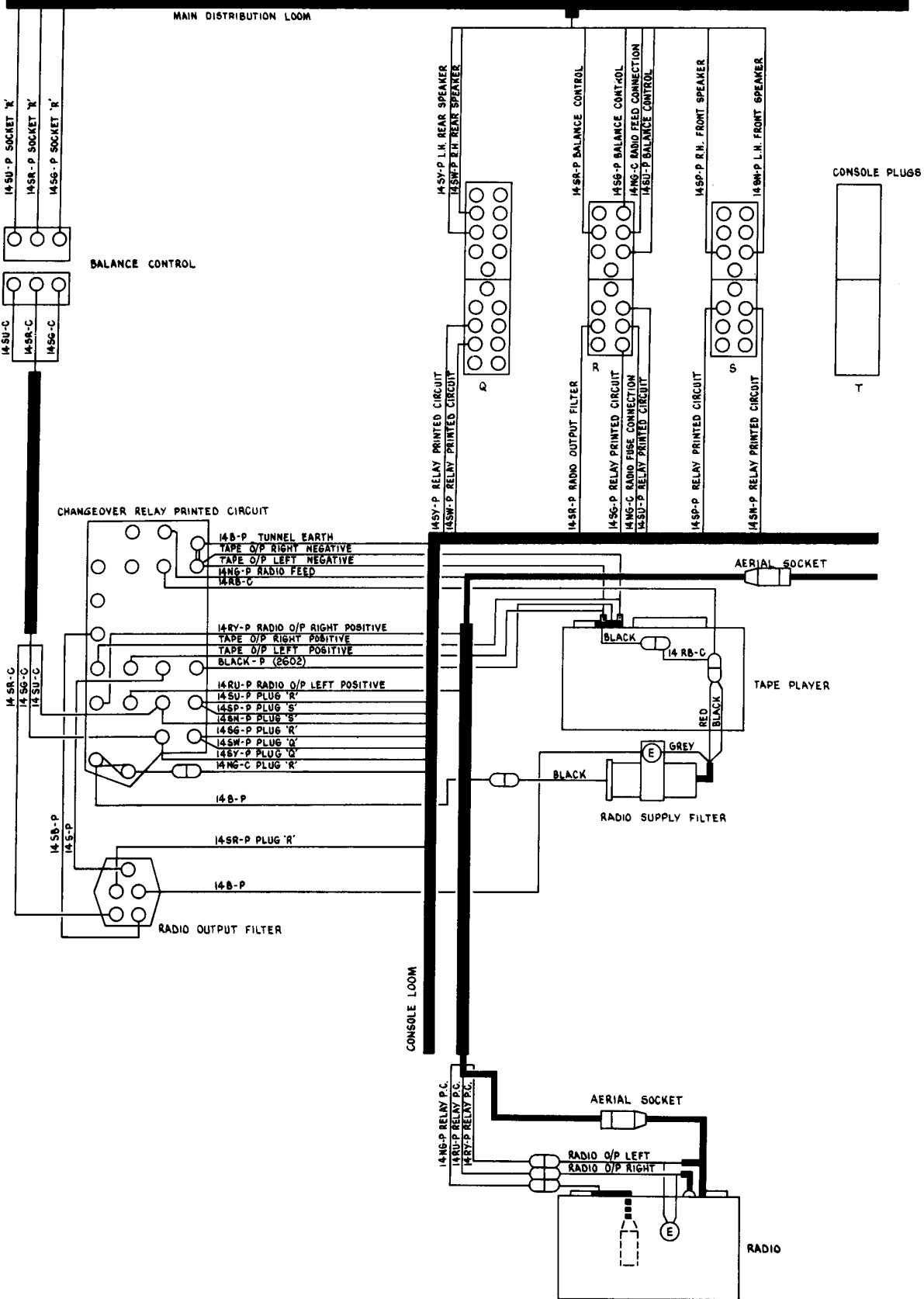
T.S.D. Publications 2801

“© Rolls-Royce Motors Limited 1971”

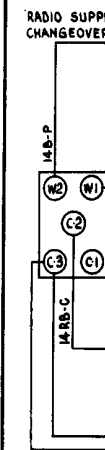
“This document is the property of Rolls-Royce Motors Limited and may not be copied or communicated to a third party or used for any purpose other than that for which it is supplied without the express written authority of Rolls-Royce Motors Limited.”

“Whilst the information in this document is given in good faith based upon the latest knowledge available to Rolls-Royce Motors Limited, Rolls-Royce Motors Limited gives no warranty or representation concerning such information, and such information must not be taken as establishing any contractual or other commitment on the part of Rolls-Royce Motors Limited.”

STEREO OUTPUT RADIO AND STEREO TAPE PLAYER



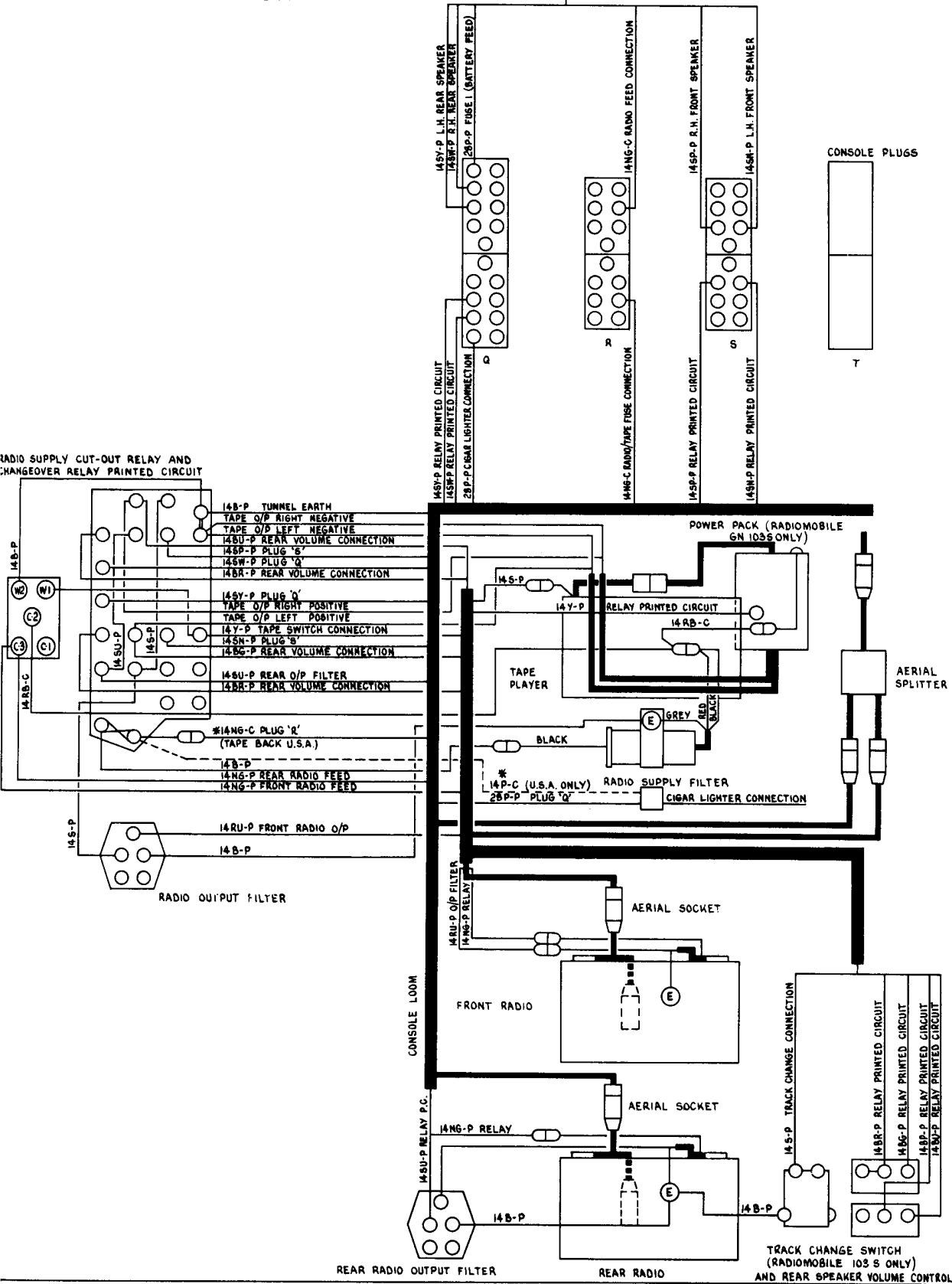
RADIOMOBILE (VOXSON) GN103S OR PHILIPS N2602 WITH PHILIPS 22RN 686



RADIOMOBIL

TWO MONO OUTPUT RADIOS AND STEREO TAPE PLAYER - DIVISION CARS

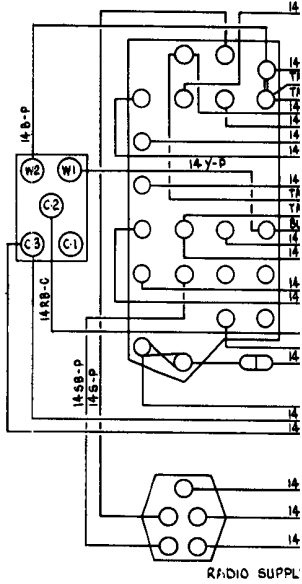
MAIN DISTRIBUTION LOOM



TWO ST

MAIN DISTRIBUTION LOOM

RADIO SUPPLY CUT-OUT RELAY AND CHANGEOVER RELAY PRINTED CIRCUIT

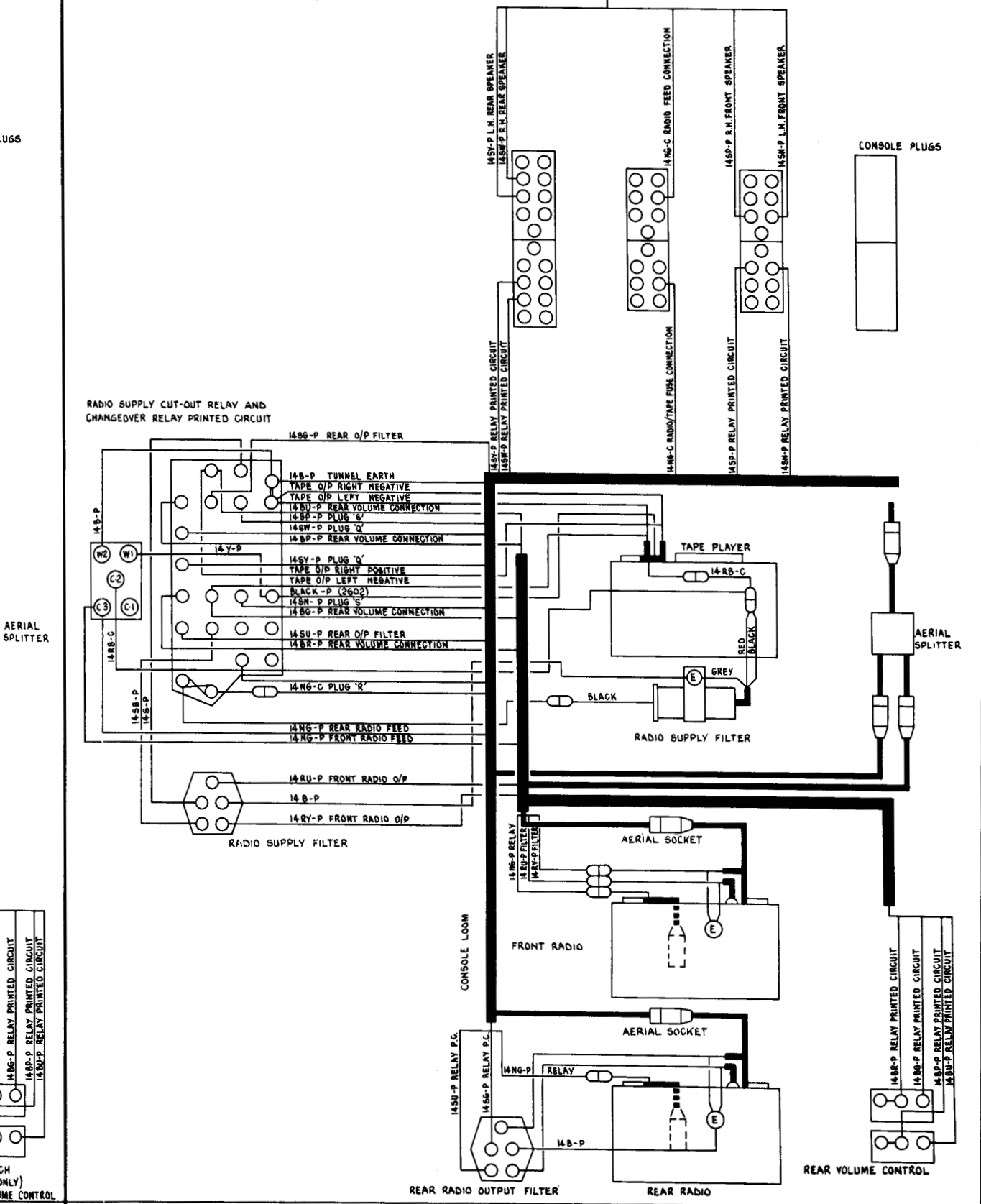


DIOMOBILE (VOXSON) GN103S OR PHILIPS N2602 WITH TWO PHILIPS 22RN681 OR PHILIPS 22RN691 OR RADIOMOBILE 1075 OR BOSCH KOLN 'K' OR NEW YORKER 'X' 1077

RADIOMOBIL

TWO STEREO OUTPUT RADIOS AND STEREO TAPE PLAYER - DIVISION CARS

MAIN DISTRIBUTION LOOM



RADIOMOBILE (VOXSON) GN103S OR PHILIPS N2602 WITH TWO PHILIPS 22RN 686 RADIOS

Section 13

LEFT-HAND DRIVE CARS FROM SERIAL NUMBER 11882

APPLICATION	SHEET No.
Engine Compartment Looms	1
Facia and Instrument Board Looms	2
Interior and Luggage Compartment Looms	3
Fuseboard and Sockets	4

Printed in England

April 1972

T.S.D. 2476

PRACTICAL WIRING DIAGRAM

Sheet 1

Engine Compartment Looms

for

Rolls-Royce Silver Shadow

and

Bentley T Series

**LEFT-HAND DRIVE CARS
FROM SERIAL NUMBER 11882**

T.S.D. Publications 2825

© Rolls-Royce Motors Limited 1972

"This document is the property of Rolls-Royce Motors Limited and may not be copied or communicated to a third party or used for any purpose other than that for which it is supplied without the express written authority of Rolls-Royce Motors Limited."

"Whilst the information in this document is given in good faith based upon the latest knowledge available to Rolls-Royce Motors Limited, Rolls-Royce Motors Limited gives no warranty or representation concerning such information, and such information must not be taken as establishing any contractual or other commitment on the part of Rolls-Royce Motors Limited."

KEY TO DIAGRAM

B - BLACK P - PURPLE Y - YELLOW
 N - BROWN U - BLUE W - WHITE
 R - RED G - GREEN S - SLATE

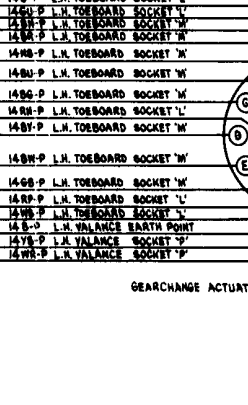
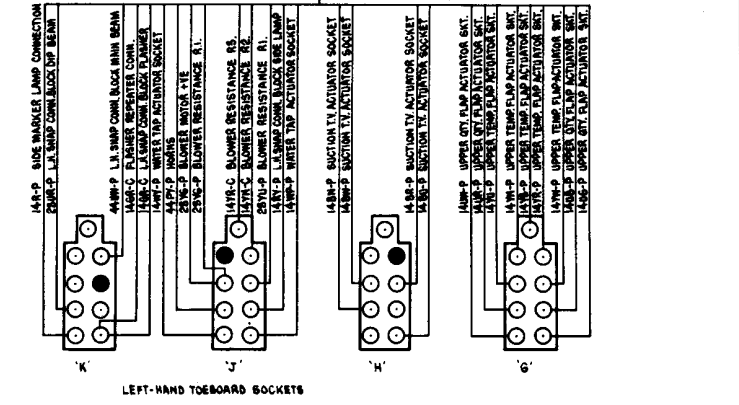
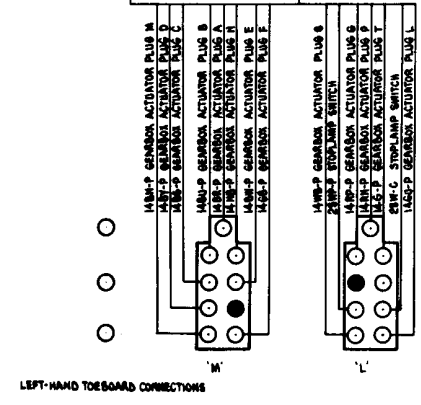
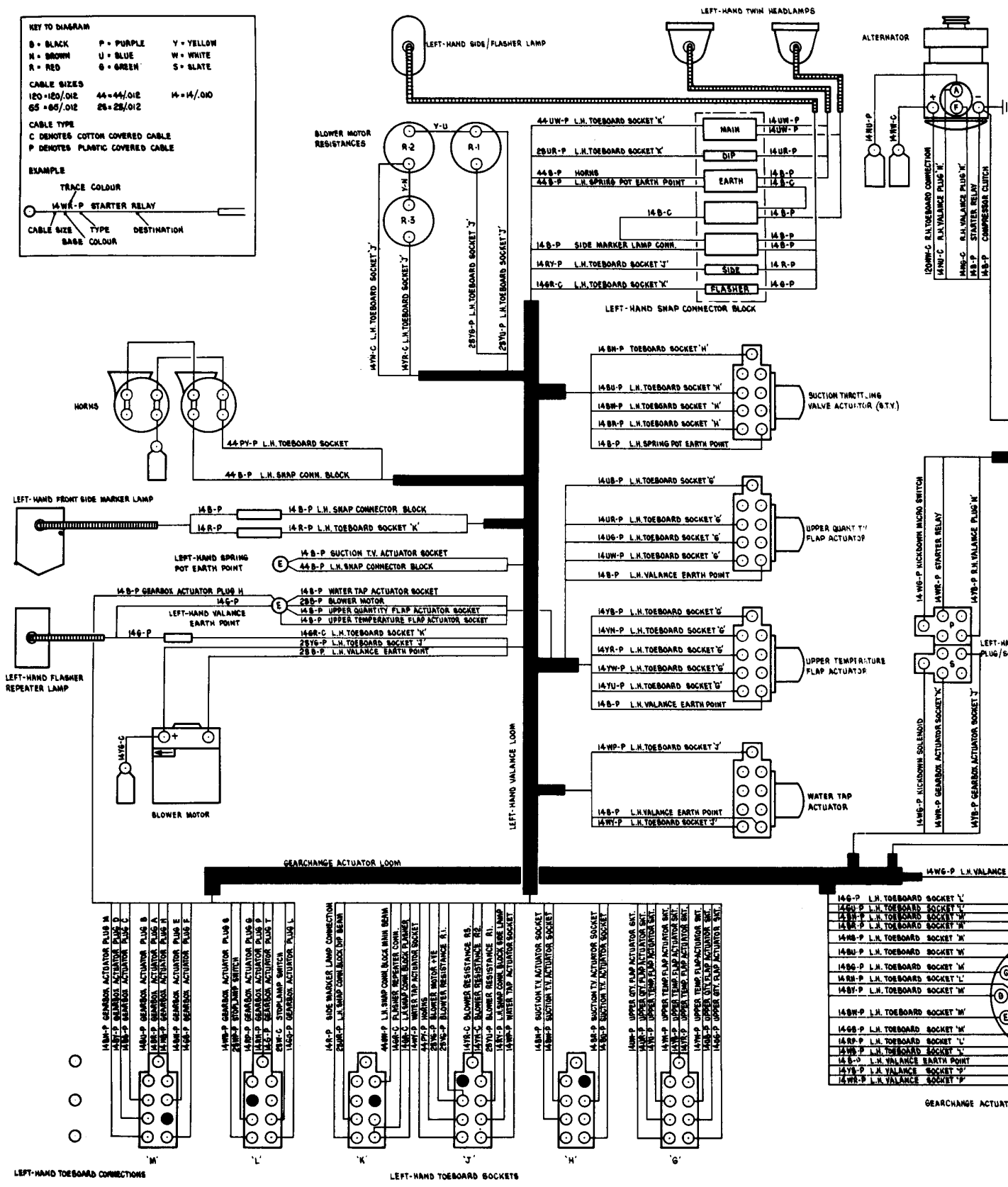
CABLE SIZES
 120 - 1/20/OI2 44 - 44/OI2 14 - 14/OI0
 65 - 65/OI2 25 - 25/OI2

CABLE TYPE
 C DENOTES COTTON COVERED CABLE
 P DENOTES PLASTIC COVERED CABLE

EXAMPLE

TRACE COLOUR
 14W-K-P STARTER RELAY

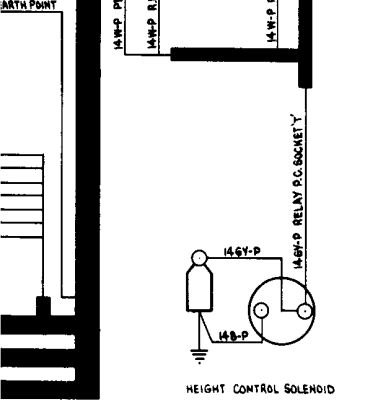
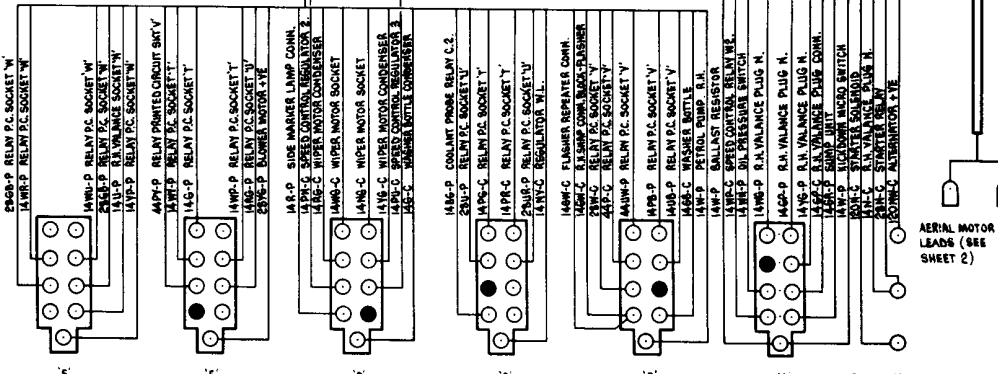
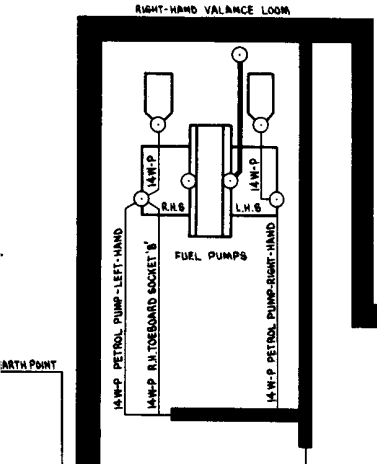
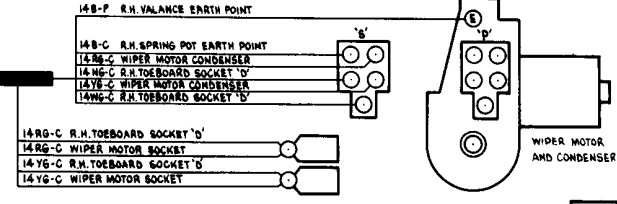
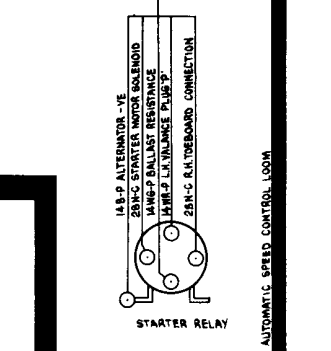
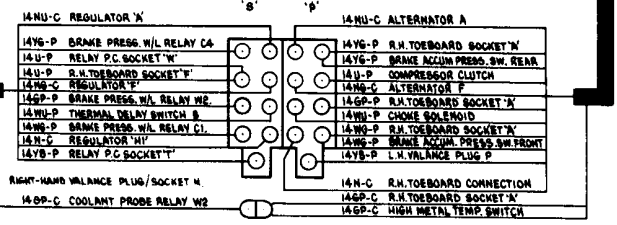
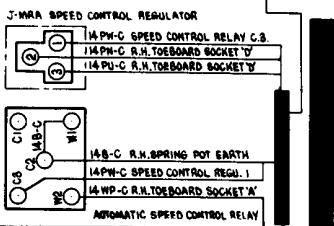
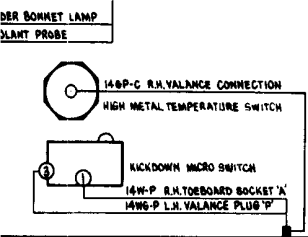
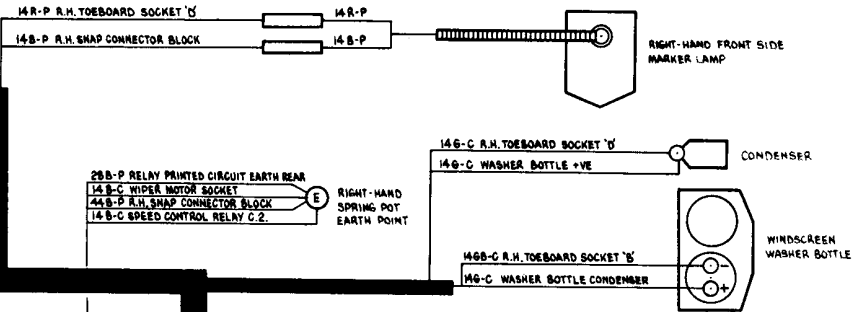
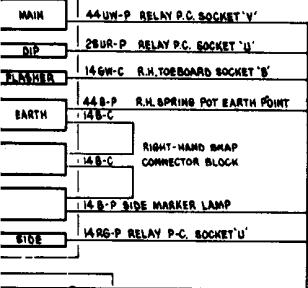
CABLE SIZE TYPE DESTINATION
 BASE COLOUR



TWIN HEADLAMPS



RIGHT-HAND SIDE / FLASHER LAMP



RIGHT-HAND TOEBOARD SOCKETS

RIGHT-HAND TOEBOARD CONNECTIONS

M56

PRACTICAL WIRING DIAGRAM

Sheet 2

Facia and Instrument Board Looms

for

Rolls-Royce Silver Shadow

and

Bentley T Series

**LEFT-HAND DRIVE CARS
FROM SERIAL NUMBER 11882**

T.S.D. Publications 2825

© Rolls-Royce Motors Limited 1972

"This document is the property of Rolls-Royce Motors Limited and may not be copied or communicated to a third party or used for any purpose other than that for which it is supplied without the express written authority of Rolls-Royce Motors Limited."

"Whilst the information in this document is given in good faith based upon the latest knowledge available to Rolls-Royce Motors Limited, Rolls-Royce Motors Limited gives no warranty or representation concerning such information, and such information must not be taken as establishing any contractual or other commitment on the part of Rolls-Royce Motors Limited."

PRACTICAL WIRING DIAGRAM

Sheet 3
Interior and Luggage Compartment
Looms

for
Rolls-Royce Silver Shadow
and
Bentley T Series

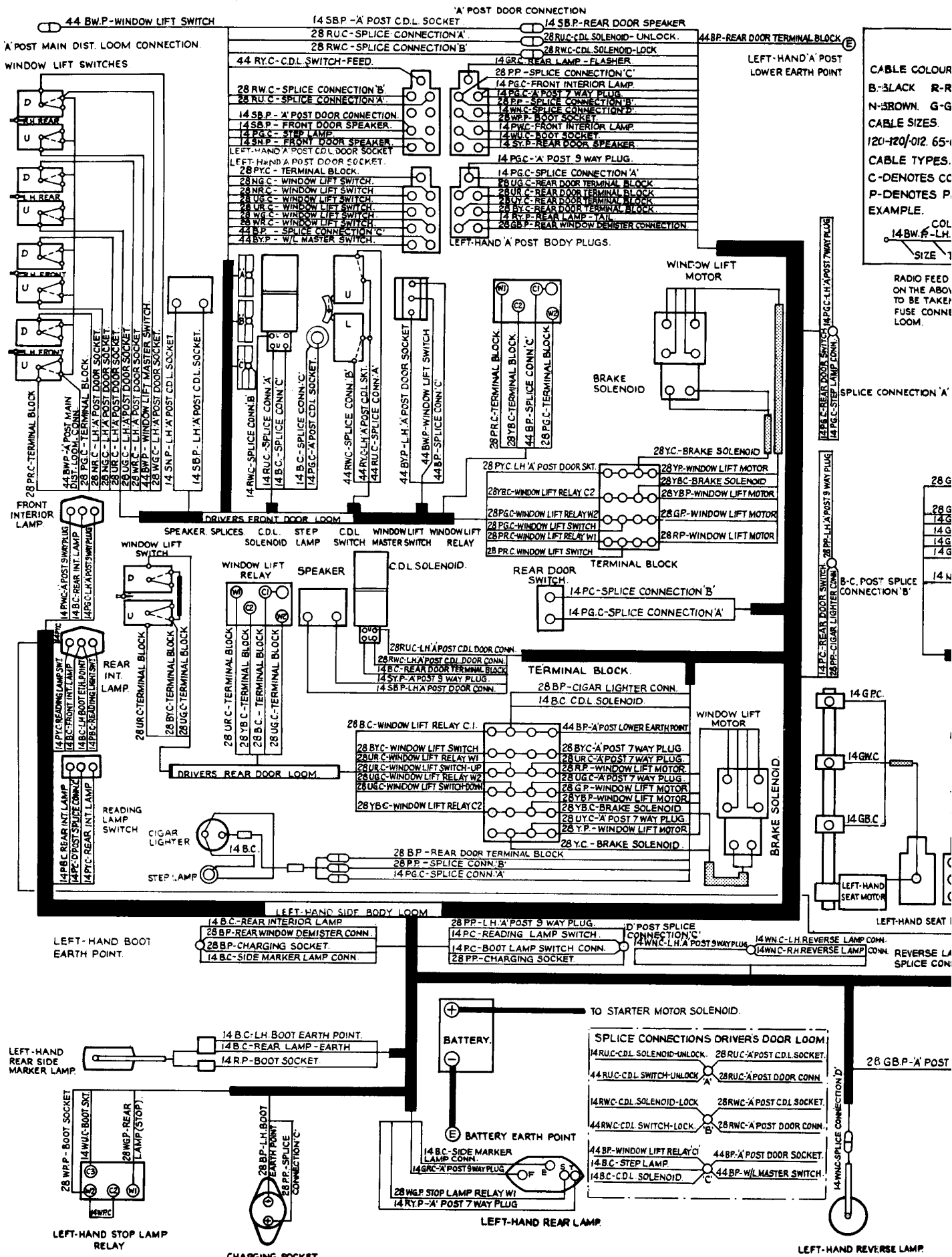
LEFT-HAND DRIVE CARS
FROM SERIAL NUMBER 11882

T.S.D. Publications 2825

© Rolls-Royce Motors Limited 1972

"This document is the property of Rolls-Royce Motors Limited and may not be copied or communicated to a third party or used for any purpose other than that for which it is supplied without the express written authority of Rolls-Royce Motors Limited."

"Whilst the information in this document is given in good faith based upon the latest knowledge available to Rolls-Royce Motors Limited, Rolls-Royce Motors Limited gives no warranty or representation concerning such information, and such information must not be taken as establishing any contractual or other commitment on the part of Rolls-Royce Motors Limited."



CABLE COLOUR
 B-BLACK R-R
 N-BROWN G-G
 CABLE SIZES:
 120-120/012 65-
 CABLE TYPES:
 C-DENOTES CC
 P-DENOTES P
 EXAMPLE:
 COL
 14 B.W. # L.H.
 SIZE 1

RADIO FEED
 ON THE ABOVE
 TO BE TAKEN
 FUSE CONNE
 LOOM.

28 G
 28 G
 14 G
 14 G
 14 G
 14 G
 14 N

LEFT-HAND SEAT I
 REVERSE LA
 SPLICE CONN

28 GB.P-A' POST

14 WNC-LH REVERSE LAMP CONN.
 14 WNC-RH REVERSE LAMP CONN.

LEFT-HAND REVERSE LAMP

KEY TO DIAGRAM.

COLOURS.
 B-BLACK R-RED. P-PURPLE S-SLATE. Y-YELLOW.
 BR-BROWN. G-GREEN. U-BLUE. W-WHITE.

SIZES.
 120/012. 65-65/012. 44-44/012. 28-28/012. 14-14/010.

CONNECTION TYPES.
 DENOTES COTTON COVERED CABLE.
 DENOTES PLASTIC COVERED CABLE.

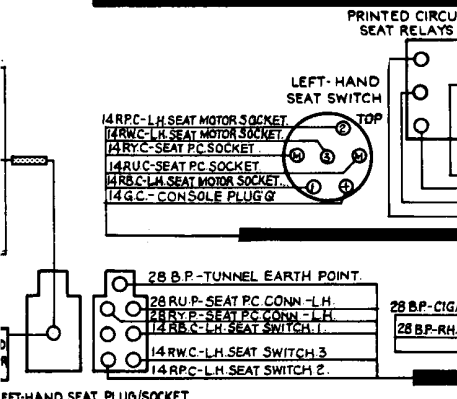
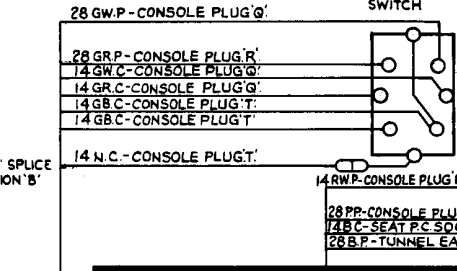
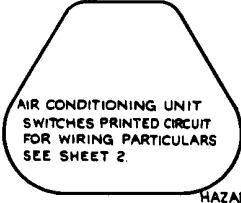
CONNECTION SAMPLE.

COLOUR
 14.BW.F.-L.H.TOEBOARD SOCKET 'M'

SIZE TYPE DESTINATION.

RADIO FEED LEFT-HAND DRIVE CARS FOR USA.
 ON THE ABOVE CARS ADDITIONAL 14NGC CABLE, MARKED #,
 TO BE TAKEN FROM CIGAR LIGHTER CONNECTION TO RADIO
 FUSE CONNECTION EXISTING 14NGC CABLE TO BE TAPED INTO
 LOOM.

CONNECTION 'A'

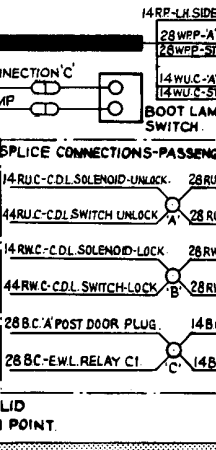
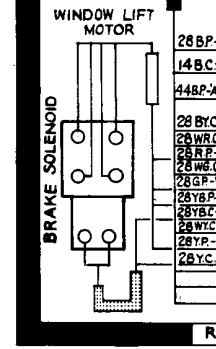
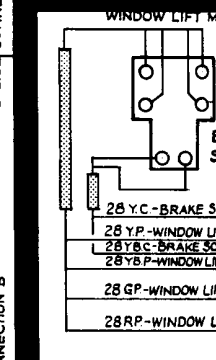
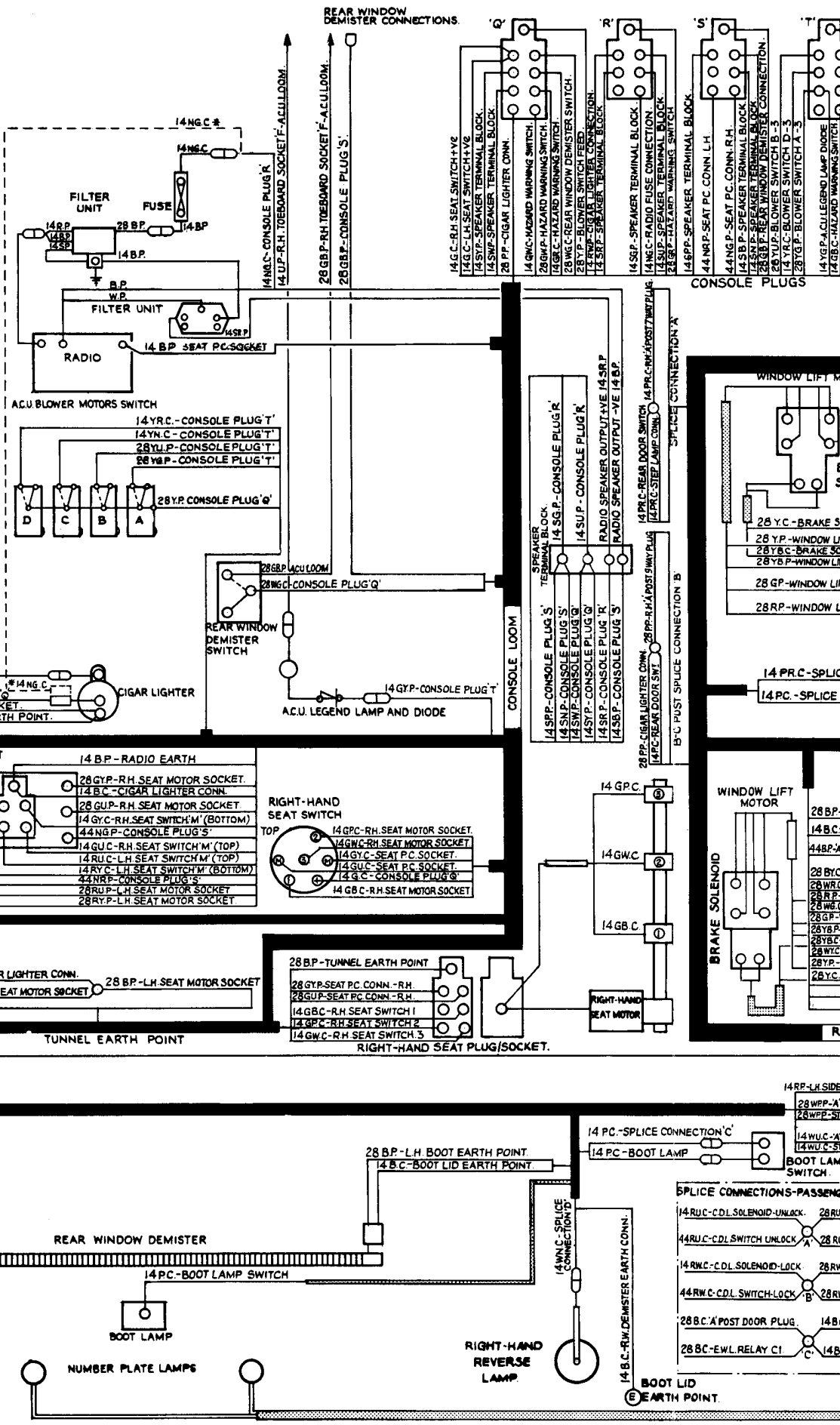


LEFT-HAND SEAT PLUG/SOCKET

REVERSE LAMP SPLICE CONNECTION 'D'

GB.P.-A POST 7 WAY PLUG.

REVERSE LAMP



PRACTICAL WIRING DIAGRAM

Sheet 4

Fuseboard and Sockets

for

Rolls-Royce Silver Shadow

and

Bentley T Series

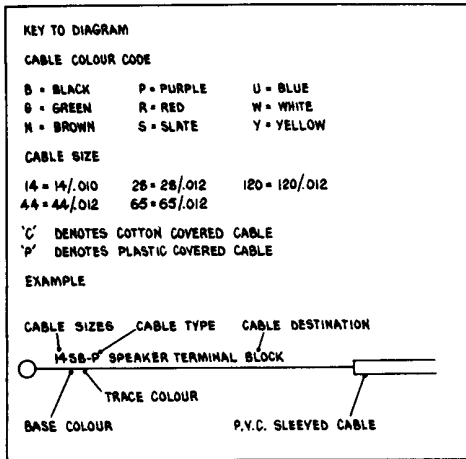
**LEFT-HAND DRIVE CARS
FROM SERIAL NUMBER 11882**

T.S.D. Publications 2825

© Rolls-Royce Motors Limited 1972

"This document is the property of Rolls-Royce Motors Limited and may not be copied or communicated to a third party or used for any purpose other than that for which it is supplied without the express written authority of Rolls-Royce Motors Limited."

"Whilst the information in this document is given in good faith based upon the latest knowledge available to Rolls-Royce Motors Limited, Rolls-Royce Motors Limited gives no warranty or representation concerning such information, and such information must not be taken as establishing any contractual or other commitment on the part of Rolls-Royce Motors Limited."



CABLE	FROM	TO
14BR P	PIN 'A' RECEPTACLE SOCKET	TERMINAL 'R' ACTUATOR
14BU P	PIN 'B' " "	" 'N' "
14BS P	PIN 'C' " "	" 'D' "
14BY P	PIN 'D' " "	" 'I' "
14BW P	PIN 'E' " "	" 'L' "
14BS P	PIN 'F' " "	" 'IGN' "
	PIN 'G' " "	
14BP	PIN 'H' " "	EARTH
14YB P	PIN 'J' " "	N. FAST LEVEL MICRO SWITCH 2
14WR P	PIN 'K' " "	N. START MICRO SWITCH 1
14GU P	PIN 'L' " "	SPEED CONTROL NEUTRAL CUT-OUT MICRO SW.
14BN P	PIN 'M' " "	TERMINAL 'P' ACTUATOR
14NS P	PIN 'N' " "	RELAY POSITIVE
14RN P	PIN 'P' " "	PARK MICRO SWITCH 3
	PIN 'R' " "	
14MS P	PIN 'S' " "	N. START MICRO SWITCH 1.
14GP	PIN 'Y' " "	N. FAST LEVEL MICRO SWITCH 2

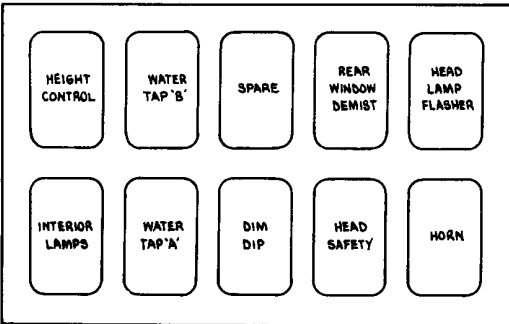
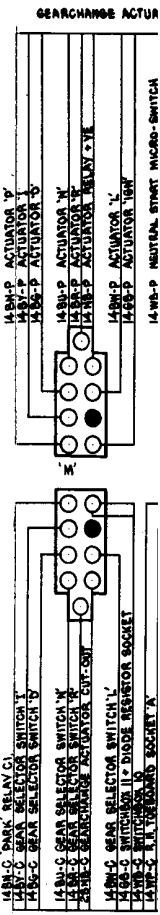
GEARCHANGE ACTUATOR SOCKET TO ACTUATOR TERMINAL CONNECTIONS

TERMINAL	FEED FOR
2	LIGHTING SWITCH - FROM 6
3	GEN. WARNING LAMP - FUSE 2
4	FUSE 4 - HEADLAMPS.
5	FUSES 7 + 8
6	FEED TO S/BOX FROM AMMETER SHUNT
7	FUSE 13
8	FUSES 5+6 REAR WINDOW DEMIST. FUSE
10	STARTER CIRCUIT
11	GEARBOX ACTUATOR 'IGN' TERMINAL
12	FROM L.H.'X POST UPPER EARTH POINT
+	IGNITION SWITCH - FROM 6

POSITION	SERVICES	TERMINAL CONNECTIONS
LOCKED	NONE	NONE
UNLOCKED	ELECTRIC 6/CHANGE ONLY	11 TO 12
IGNITION ON	ALL EXCEPT STARTER	5-8 TO WE: 11 TO 12
START	ALL	8, 9-10 TO WE: 11 TO 12
PICNIC	RADIO WIPERS ETC.	8 TO +VE

IGNITION KEY CAN ONLY BE REMOVED WHEN THE SWITCHBOX IS IN THE LOCKED POSITION

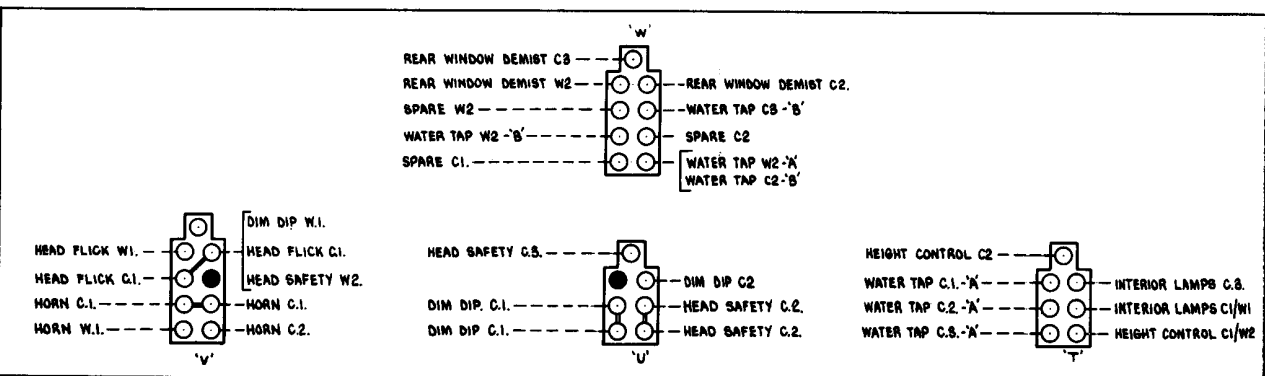
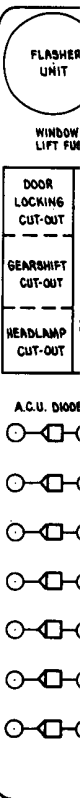
SWITCHBOX PARTICULARS



RELAY BOARD PRINTED CIRCUIT - POSITION OF RELAYS VIEWED ON RELAY FACE OF PRINTED CIRCUIT

TOEBOARD AND PLUG/SOCKET CONNECTIONS

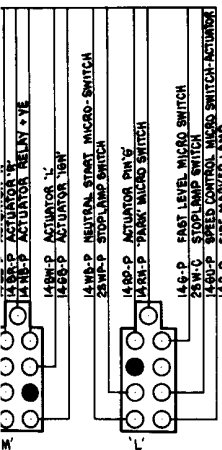
TO ENABLE THE CABLE CONNECTIONS TO BE EASILY FOLLOWED THE CHARTS SHOW THE ACTUAL ORIGIN AND DESTINATION OF EACH CABLE BUT DO NOT TAKE INTO ACCOUNT THE RUN OF THE CABLE WITHIN THE LOOMS. TO OBTAIN THIS INFORMATION SEE THE PRACTICAL WIRING DIAGRAMS ON SHEETS 1, 2 + 3.



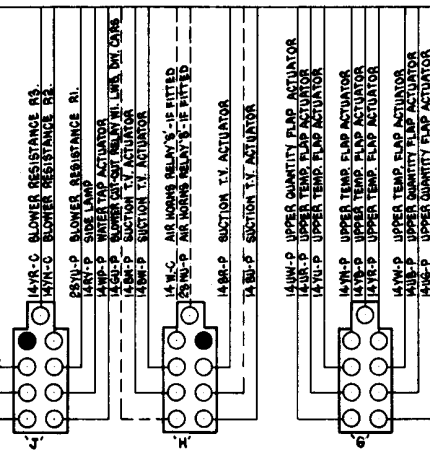
RELAY BOARD PRINTED CIRCUIT - RELAYS TO SOCKET CONNECTIONS VIEWED ON SOCKET FACE OF PRINTED CIRCUIT

'W1' TERMINAL ON HEADLAMP SAFETY, BOTH WATER TAP, HEIGHT CONTROL, SPARE AND REAR WINDOW DEMIST. RELAYS EARTHED AS IS 'W2' ON INTERIOR LAMPS RELAY

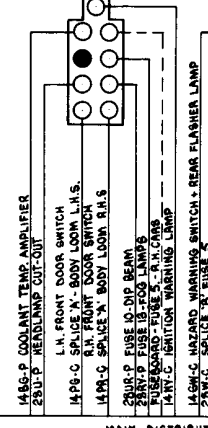
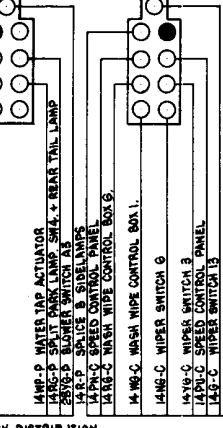
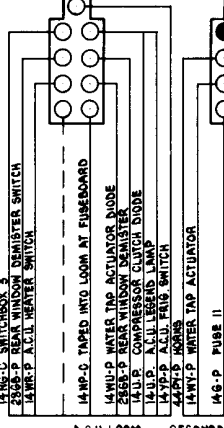
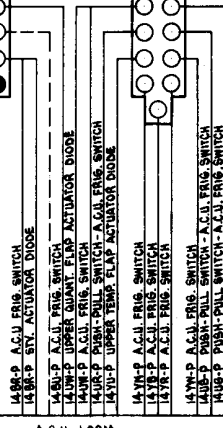
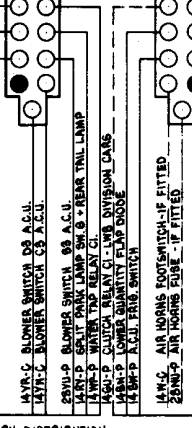
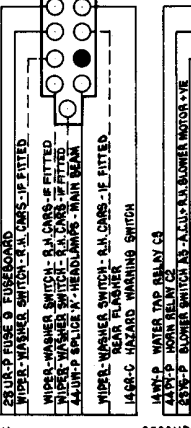
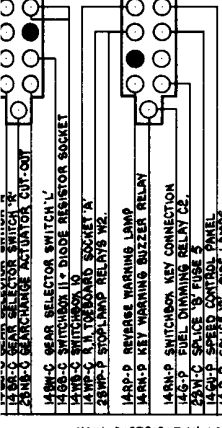
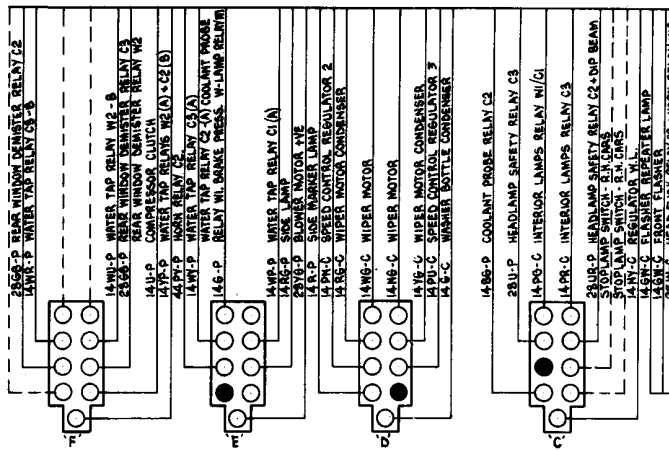
GEARCHANGE ACTUATOR LOOM



LEFT-HAND VALANCE LOOM

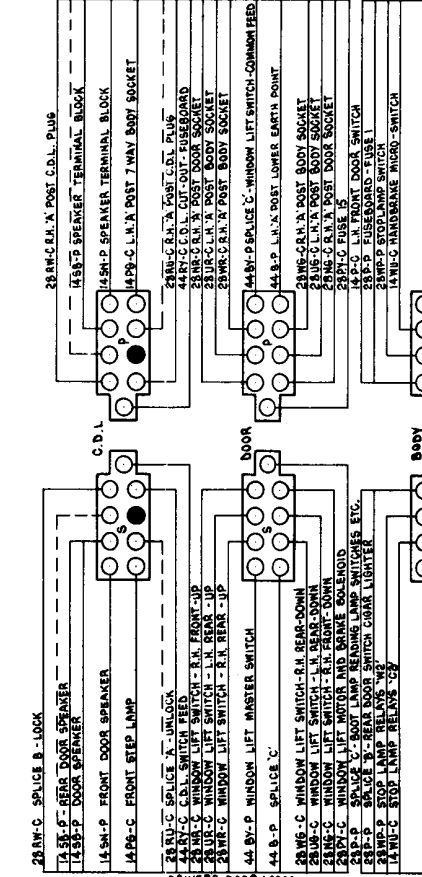
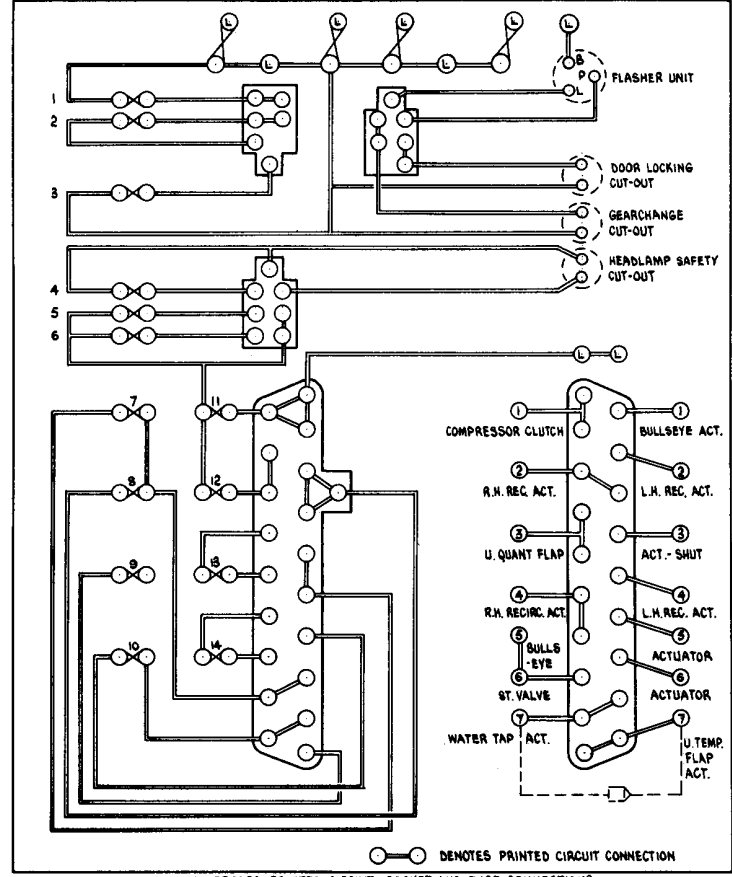
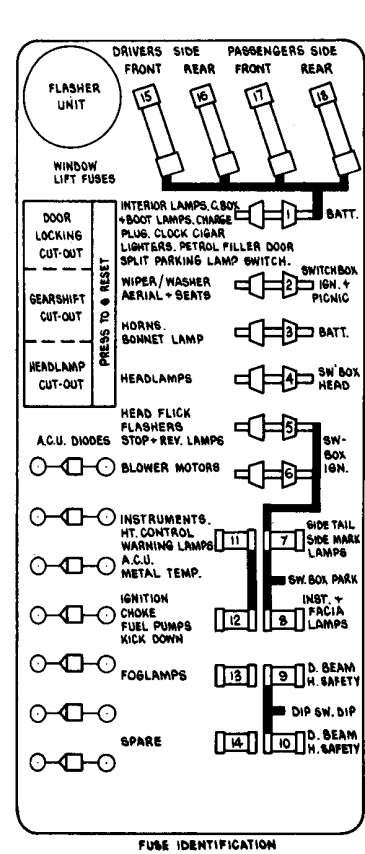


RIGHT-HAND VALANCE LOOM



LEFT-HAND TOEBOARD SOCKET CONNECTIONS

RIGHT-HAND TOEBOARD SOCKET CONNECTIONS



FUSEBOARD PRINTED CIRCUIT - SOCKET AND FUSE CONNECTIONS
VIEWED ON SOCKET FACE OF PRINTED CIRCUIT

DRIVERS DOOR LOOM
LEFT-HAND 'A' POST PLUG / 1

Section 14

All cars built to 1972
Electrical Specification
(Sheets 1-12)

Printed in England

November 1973

T.S.D. 2476

THEORETICAL WIRING DIAGRAM

Sheet 1

For
Rolls-Royce Silver Shadow
and
Bentley T Series

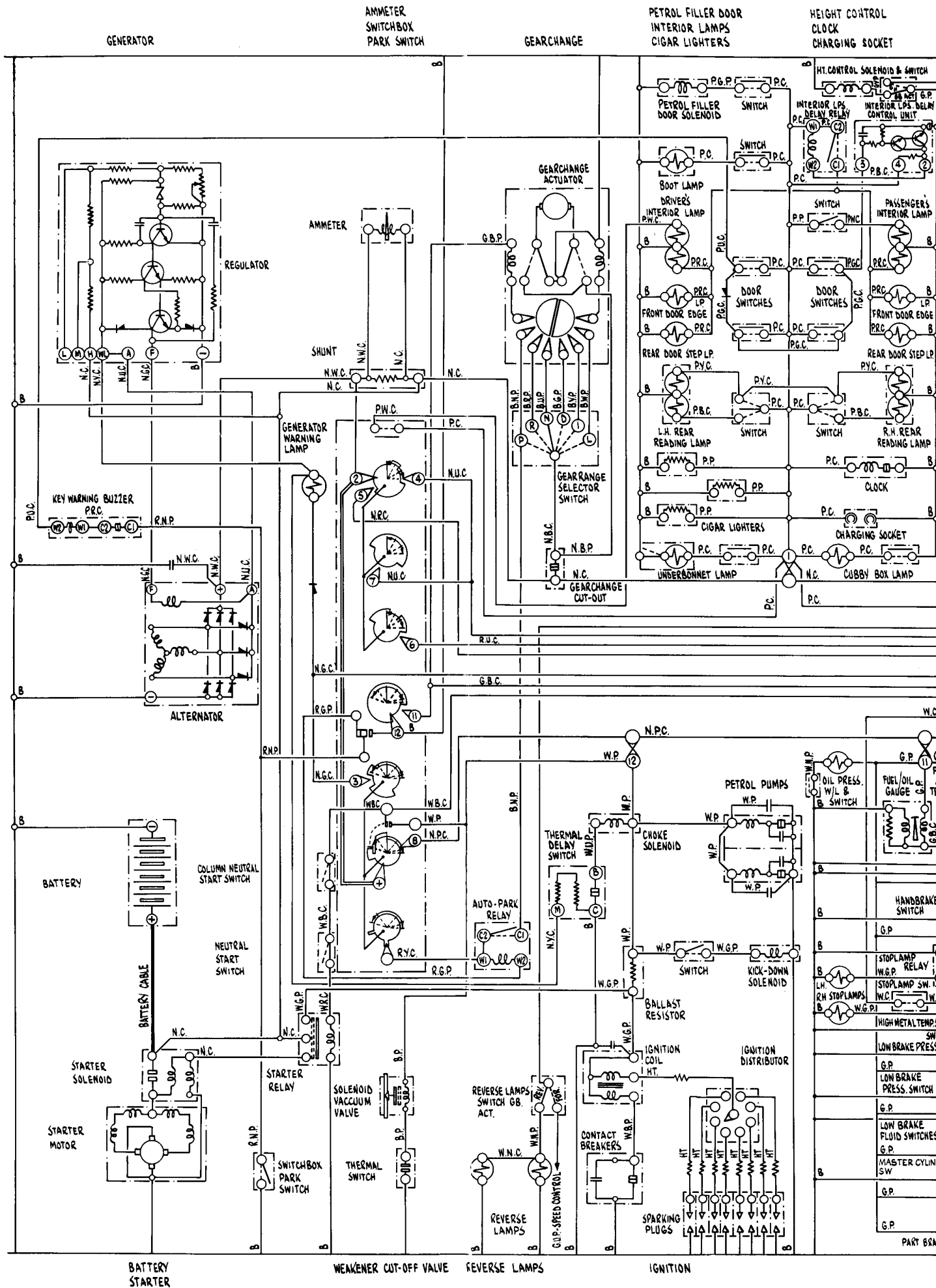
**RIGHT-HAND DRIVE SALOON AND LONG
WHEEL BASE NON-DIVISION CARS FROM
CAR SERIAL NUMBER 13754**

T.S.D. Publication 2962

"© Rolls-Royce Motors Limited 1973"

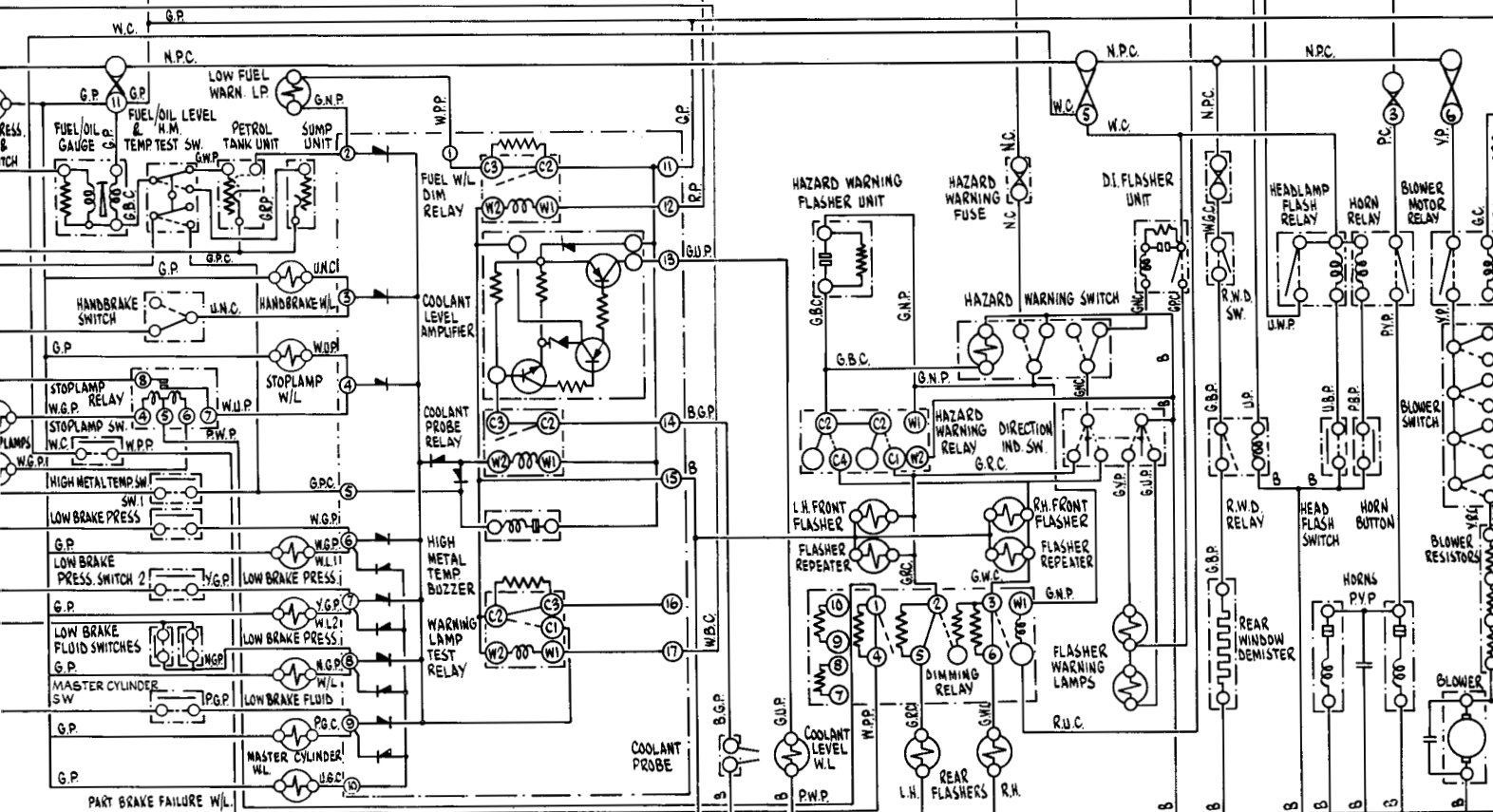
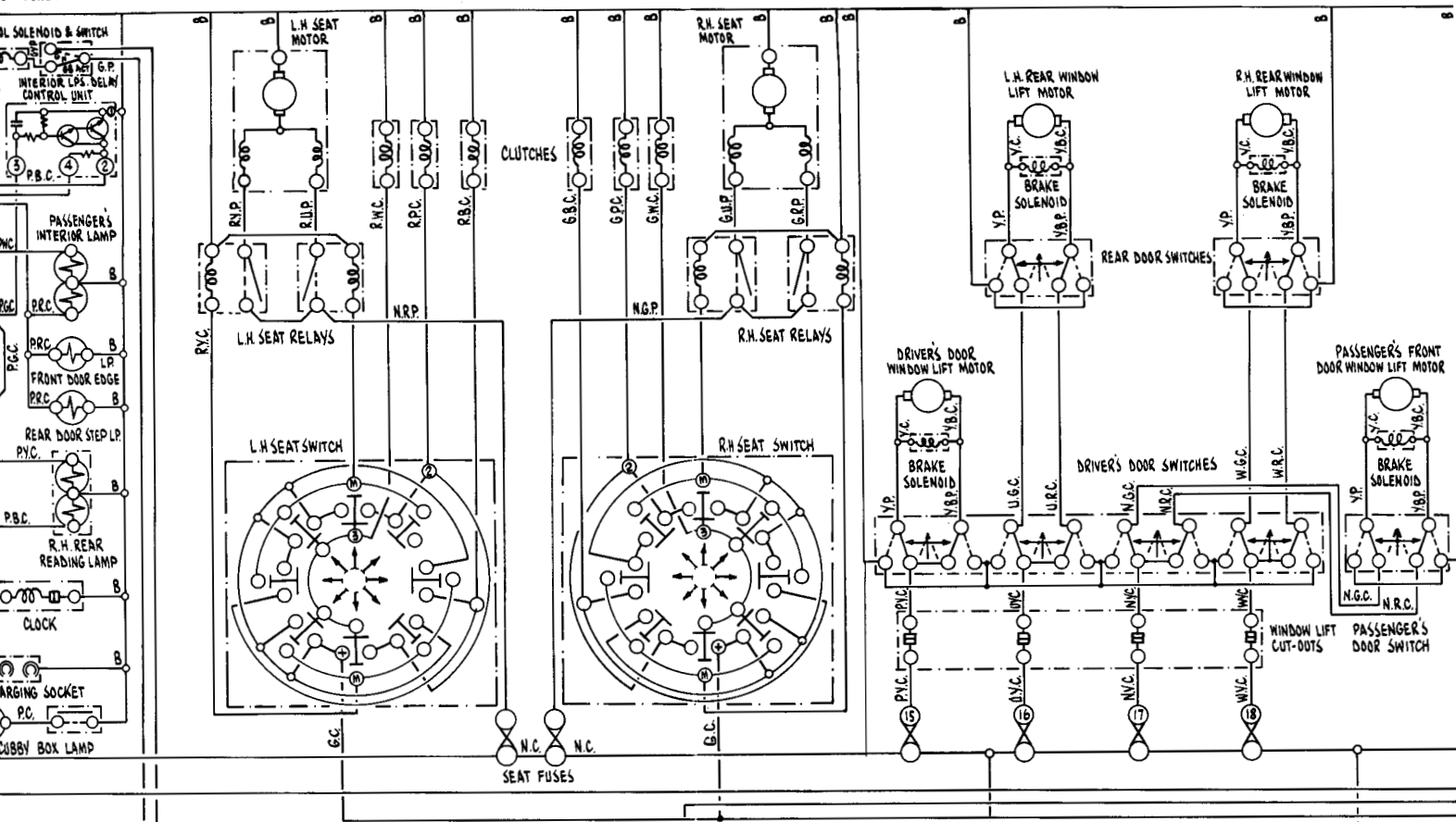
"This document is the property of Rolls-Royce Motors Limited and may not be copied or communicated to a third party or used for any purpose other than that for which it is supplied without the express written authority of Rolls-Royce Motors Limited."

"Whilst the information in this document given in good faith based upon the latest knowledge available to Rolls-Royce Motors Limited. Rolls-Royce Motors Limited gives no warranty or representation concerning such information, and such information must not be taken as establishing any contractual or other commitment on the part of Rolls-Royce Motors Limited."



ELECTRICALLY OPERATED SEATS

ELECTRIC WINDOW LIFTS WITH P.M. MOTORS



STOPLAMPS, WARNING LAMPS, FUEL GAUGE, HIGH METAL TEMPERATURE BUZZER, COOLANT PROBE.

DIRECTION INDICATORS, HAZARD WARNING

REAR WINDOW DEMISTER

HORNS

BLOWER MOTOR

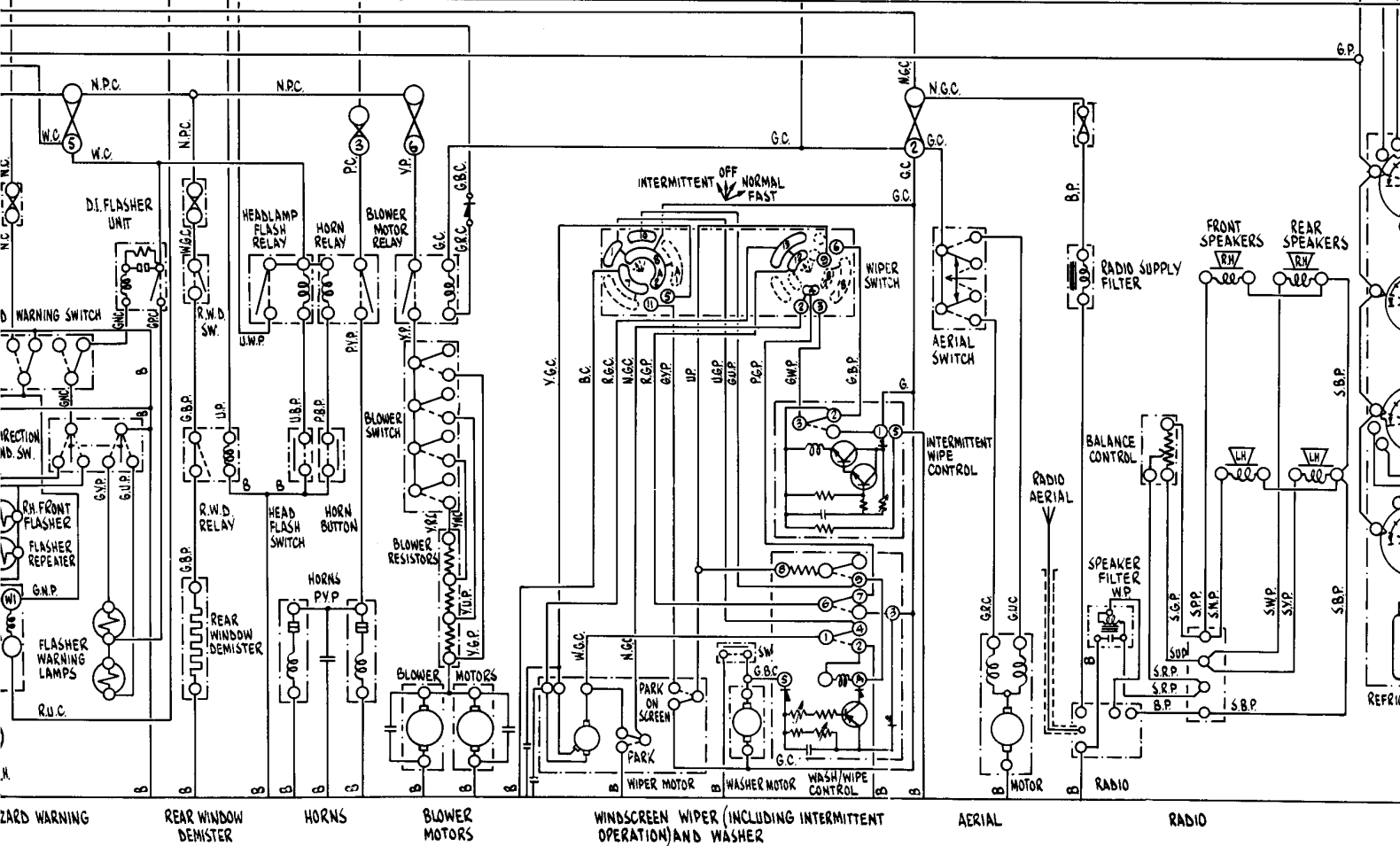
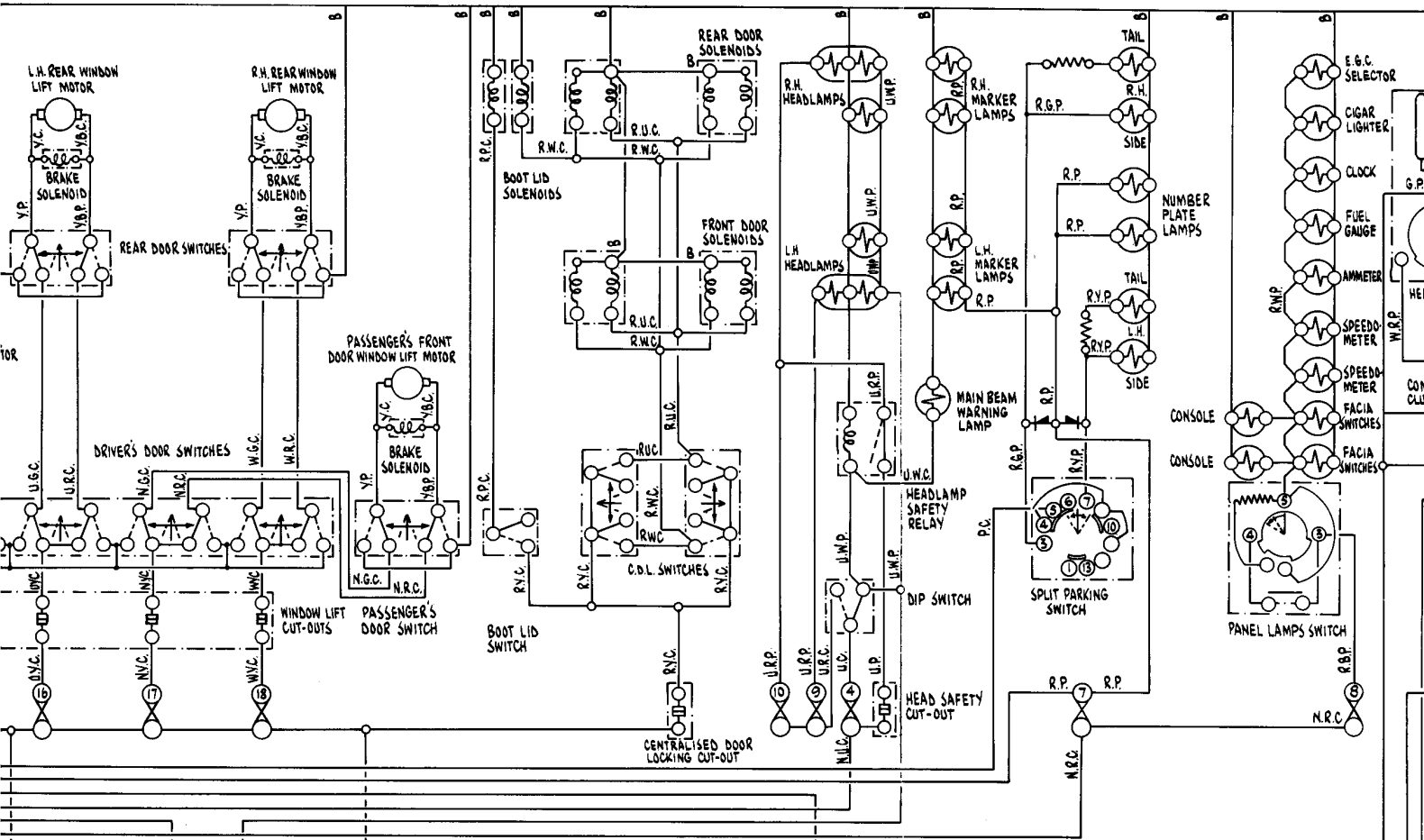
REAR WINDOW LIFTS WITH P.M. MOTORS

CENTRALISED DOOR & BOOT LID LOCKING

HEADLAMPS

SIDLAMPS

PANEL LAMPS



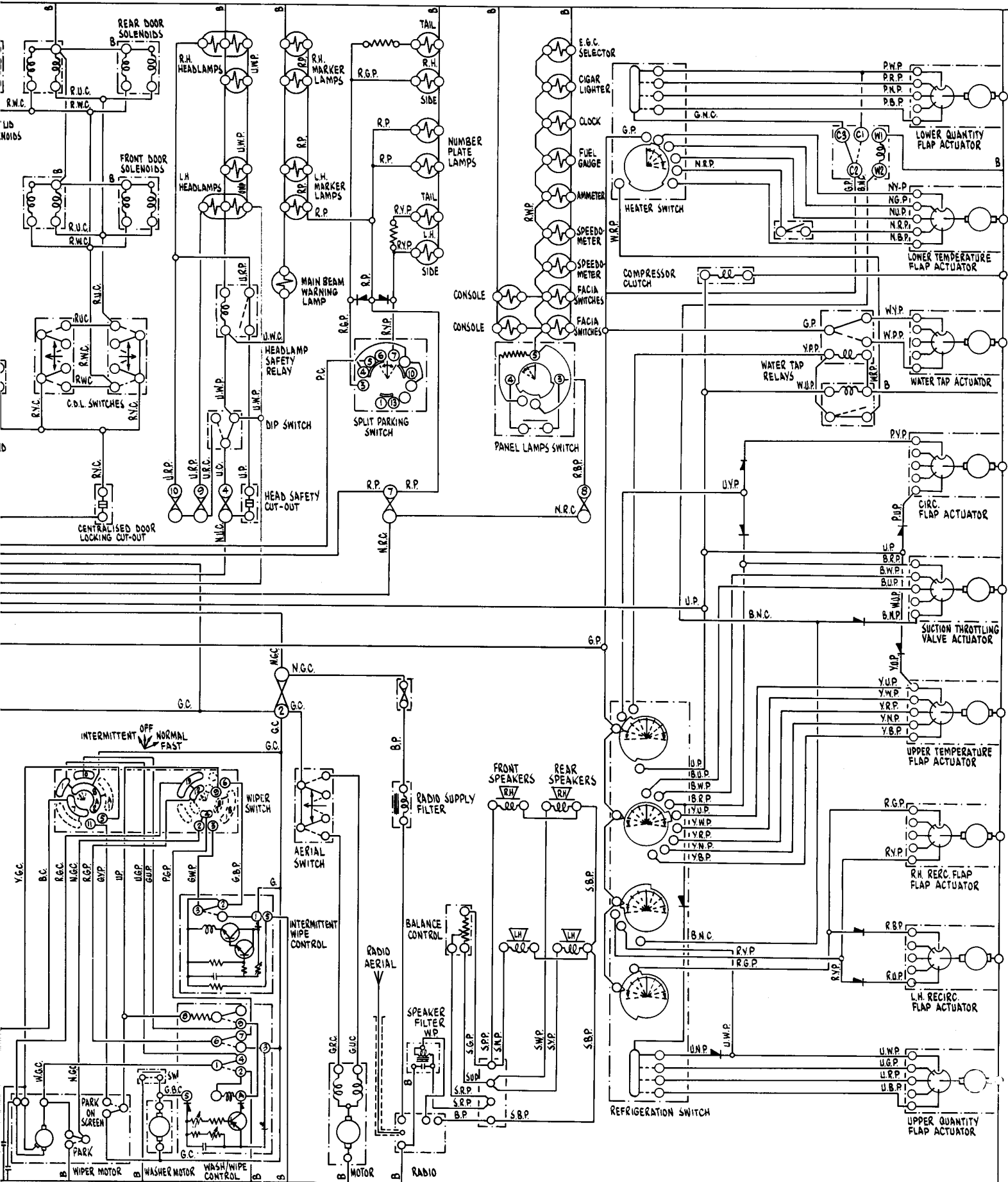
CENTRALISED DOOR & BOOT LID LOCKING

HEADLAMPS

SIDELAMPS

PANEL LAMPS

AIR CONDITIONING UNIT SYSTEM



WINDSCREEN WIPER (INCLUDING INTERMITTENT OPERATION) AND WASHER

AERIAL

RADIO

THEORETICAL WIRING DIAGRAM

Sheet 2

For
Rolls-Royce Silver Shadow
and
Bentley T Series

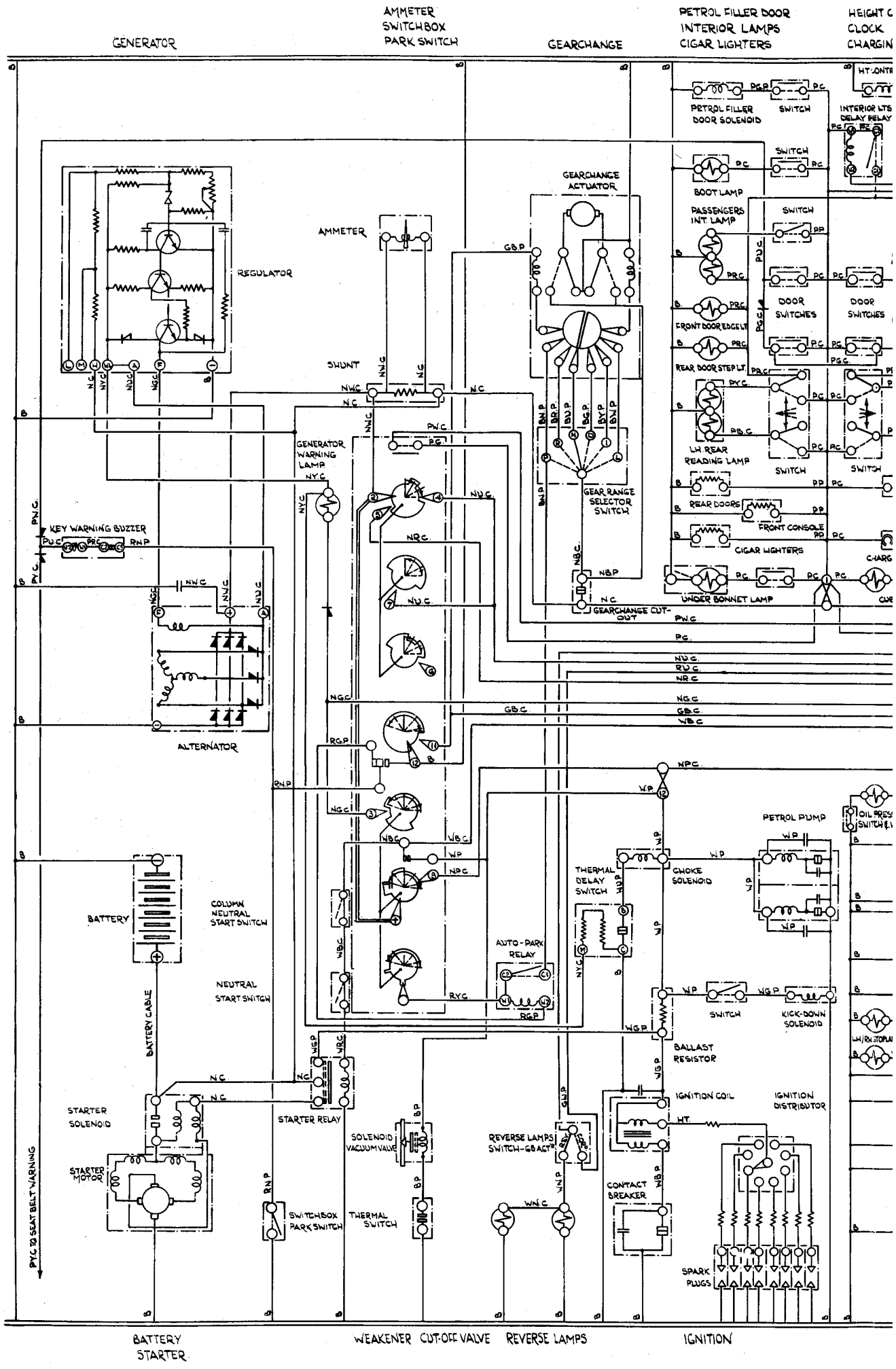
**LONG WHEEL BASE DIVISION CARS FOR
USA AND CANADA FROM CAR SERIAL
NUMBER 13921**

T.S.D. Publication 2973

"© Rolls-Royce Motors Limited 1973"

"This document is the property of Rolls-Royce Motors Limited and may not be copied or communicated to a third party or used for any purpose other than that for which it is supplied without the express written authority of Rolls-Royce Motors Limited."

"Whilst the information in this document given in good faith based upon the latest knowledge available to Rolls-Royce Motors Limited. Rolls-Royce Motors Limited gives no warranty or representation concerning such information, and such information must not be taken as establishing any contractual or other commitment on the part of Rolls-Royce Motors Limited."



GENERATOR

AMMETER SWITCHBOX PARK SWITCH

GEARCHANGE

PETROL FILLER DOOR INTERIOR LAMPS CIGAR LIGHTERS

HEIGHT CLOCK CHARGING

BATTERY STARTER

WEAKENER CUT-OFF VALVE REVERSE LAMPS

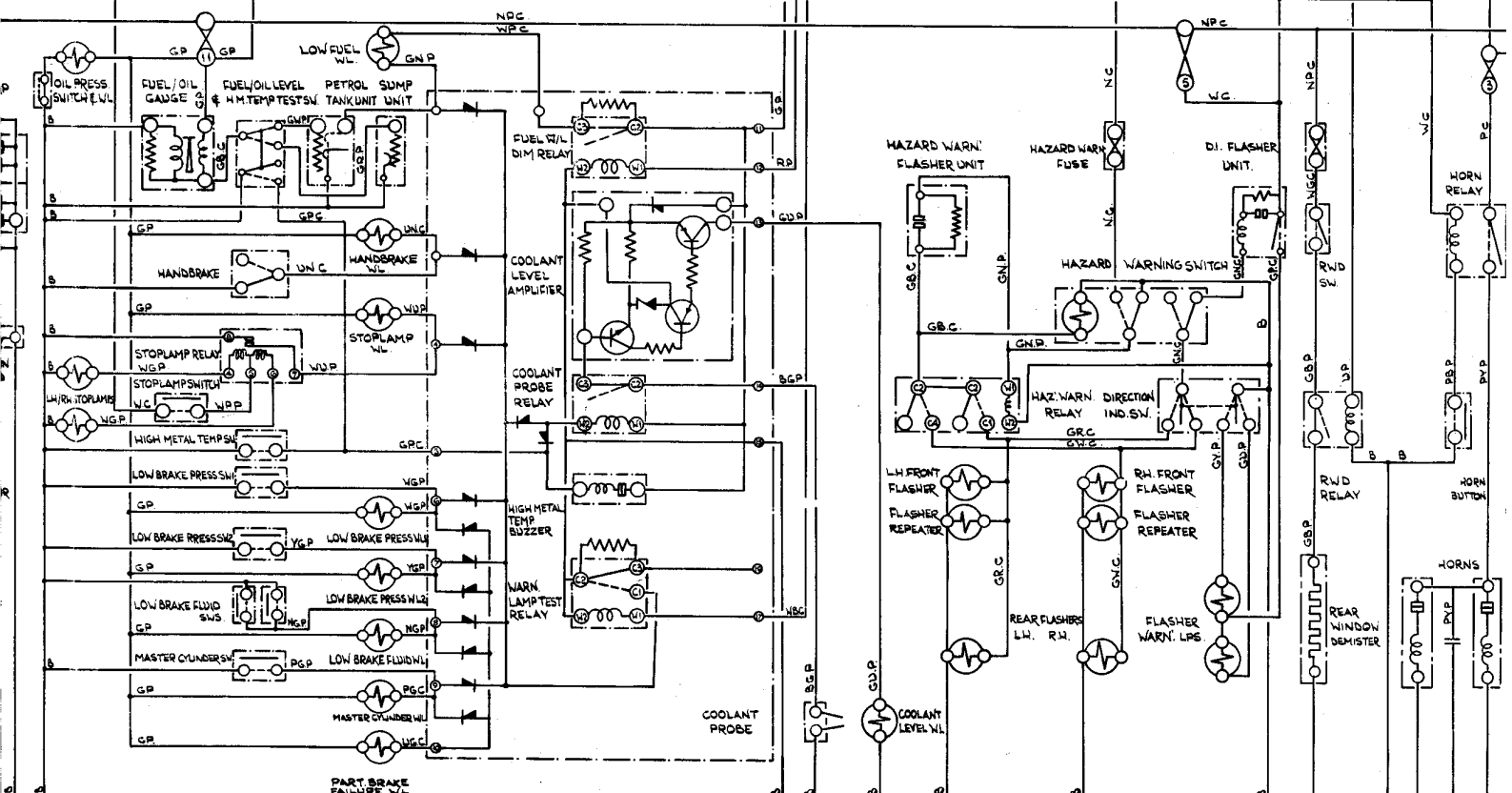
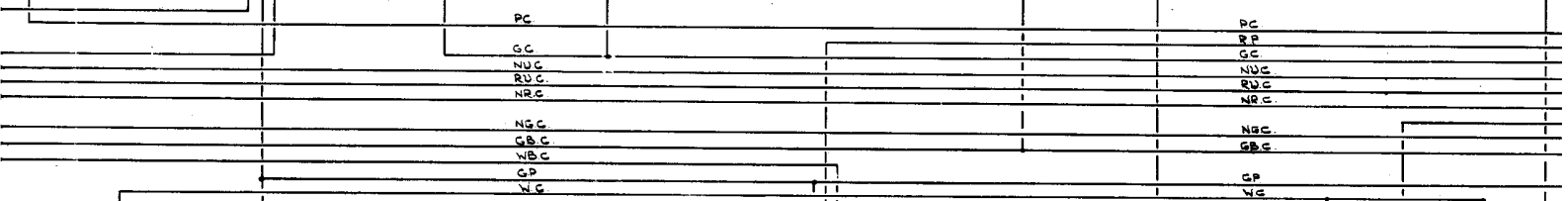
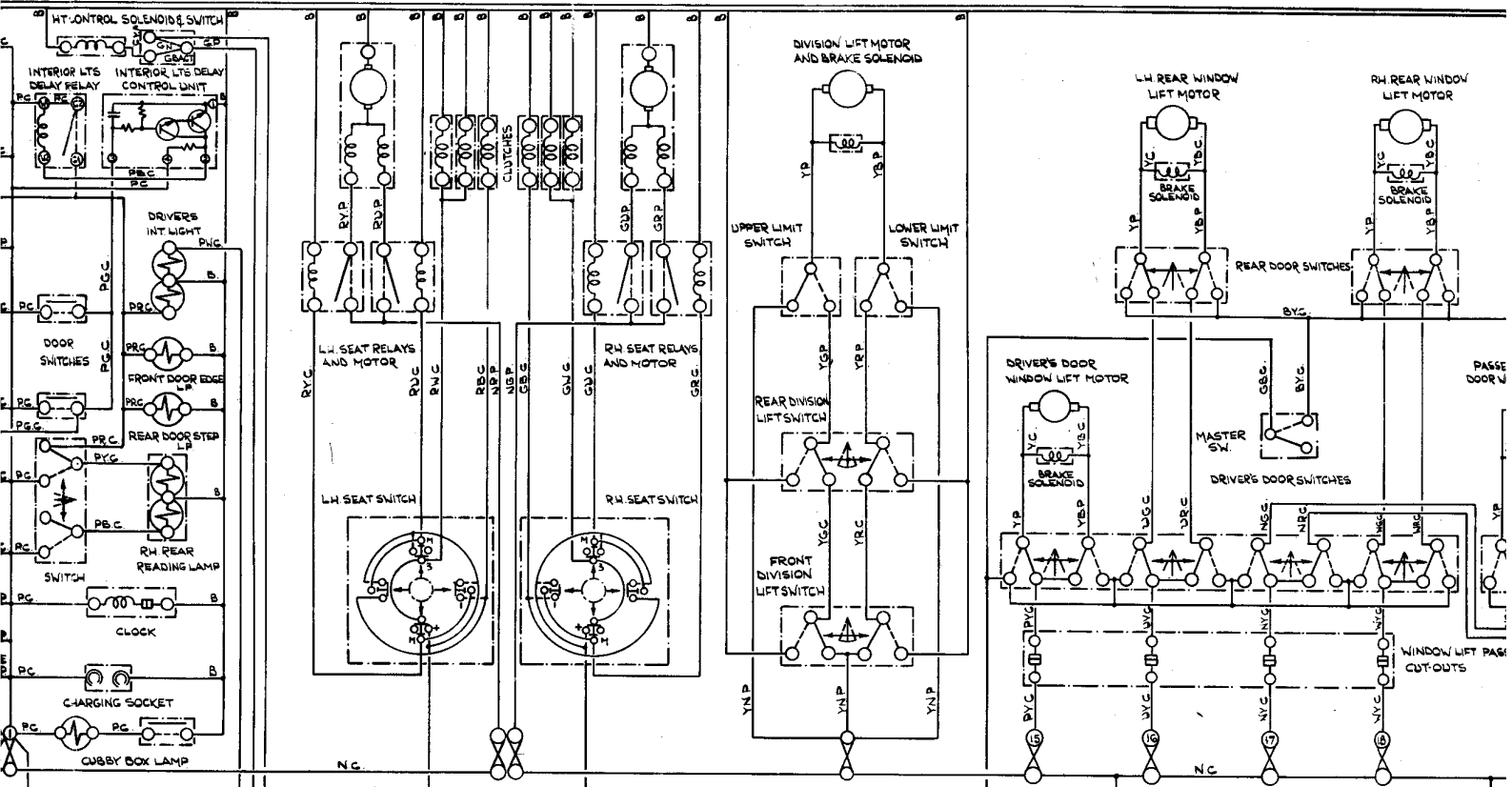
IGNITION

HEIGHT CONTROL
CLOCK
CHARGING SOCKET

ELECTRICALLY OPERATED SEATS

DIVISION LIFT

ELECTRIC WINDOW LIFTS WITH PM MOTORS



STOPLAMPS, WARNING LAMPS, FUEL/OIL GAUGE, HIGH METAL TEMPERATURE BUZZER, COOLANT PROBE.

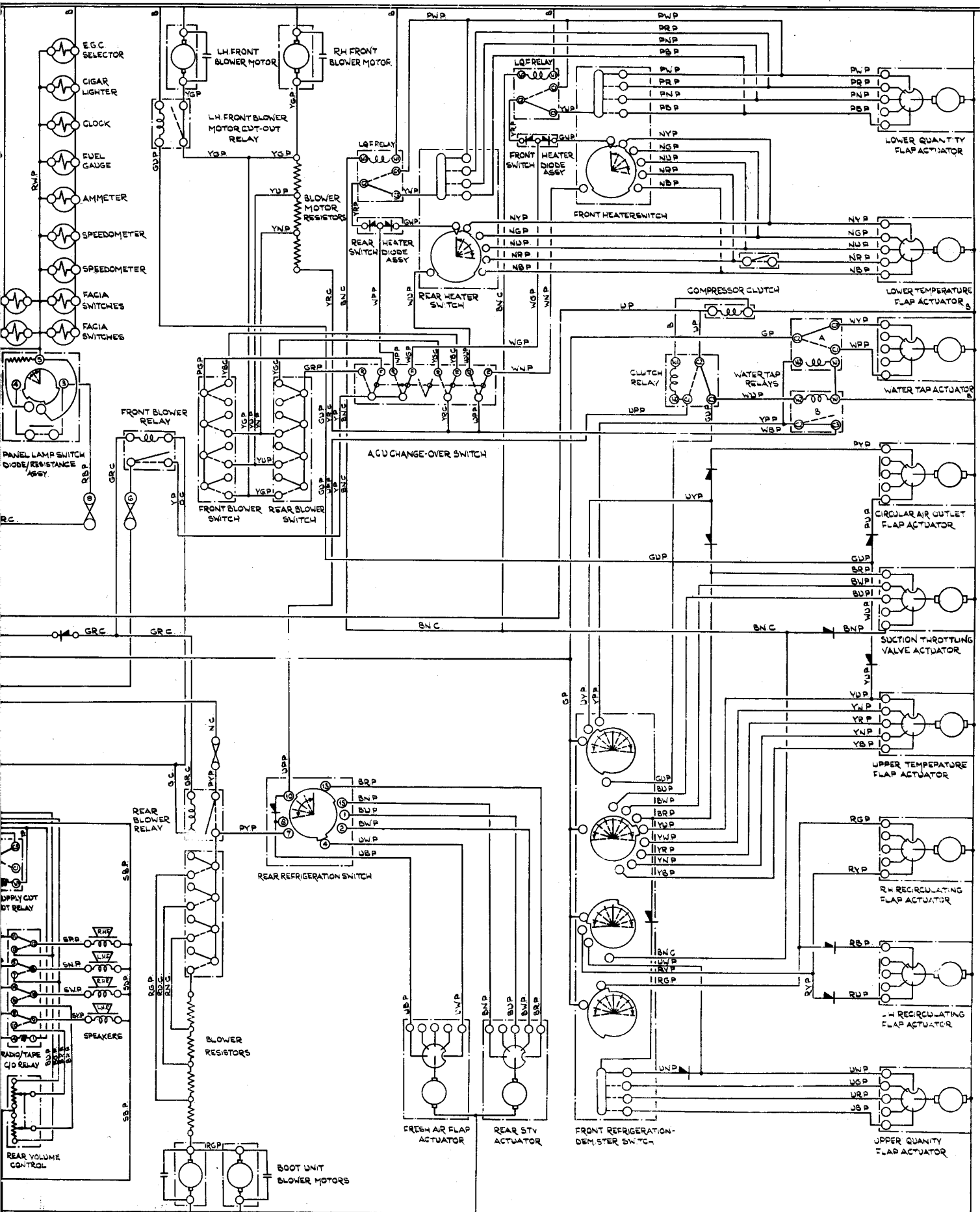
DIRECTION INDICATORS, HAZARD WARNING

REAR WINDOW DEMISTER, HORNS

PANEL LAMPS

AIR CONDITIONING UNIT FRONT BLOWER MOTORS

AIR CONDITIONING UNIT SYSTEM



TAPE PLAYER LUGGAGE COMPARTMENT (BOOT) REFRIGERATION UNIT

THEORETICAL WIRING DIAGRAM

Sheet 3

For
Rolls-Royce Silver Shadow
and
Bentley T Series

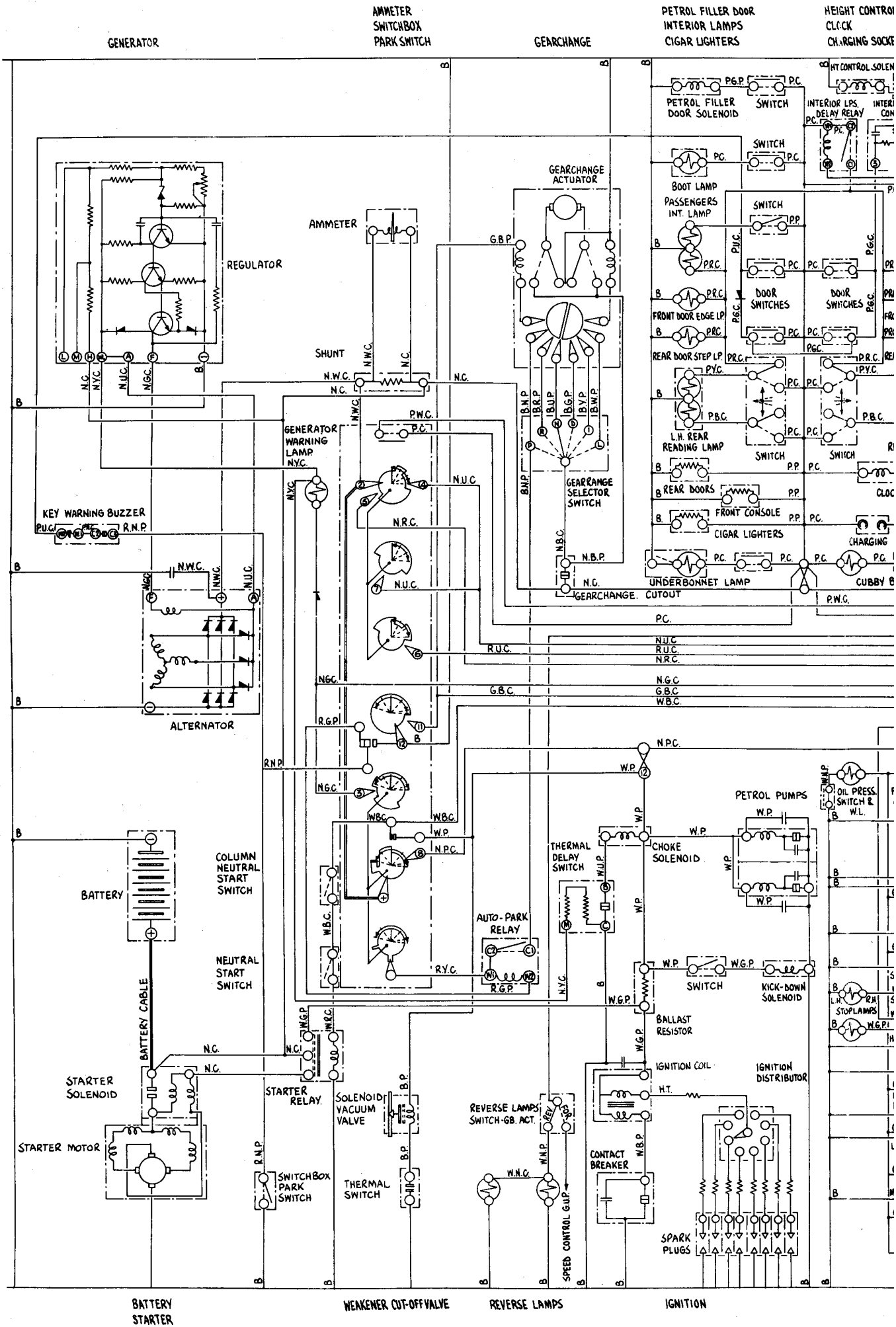
**LEFT-HAND DRIVE LONG WHEEL BASE
DIVISION CARS FOR COUNTRIES OTHER
THAN USA AND CANADA FROM CAR
SERIAL NUMBER 13973**

T.S.D. Publication 2967

"© Rolls-Royce Motors Limited 1973"

"This document is the property of Rolls-Royce Motors Limited and may not be copied or communicated to a third party or used for any purpose other than that for which it is supplied without the express written authority of Rolls-Royce Motors Limited."

"Whilst the information in this document given in good faith based upon the latest knowledge available to Rolls-Royce Motors Limited. Rolls-Royce Motors Limited gives no warranty or representation concerning such information, and such information must not be taken as establishing any contractual or other commitment on the part of Rolls-Royce Motors Limited."



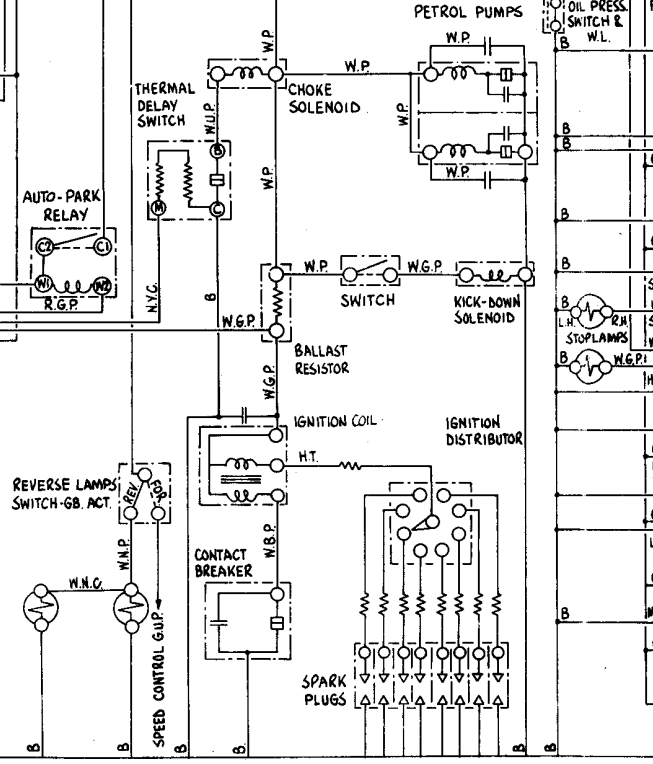
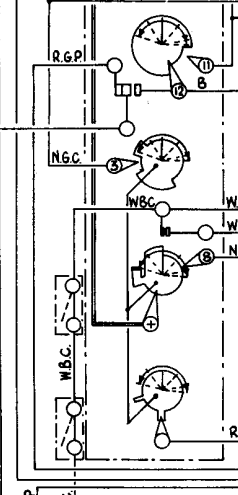
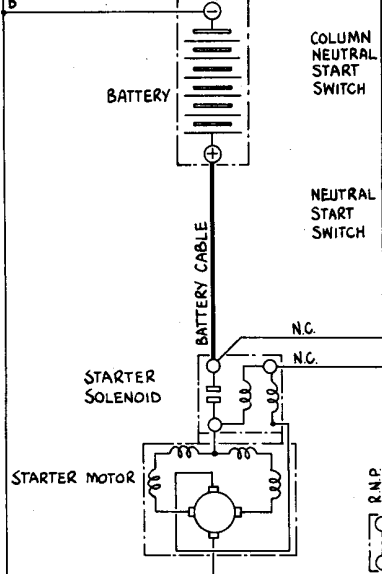
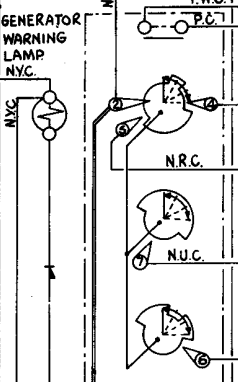
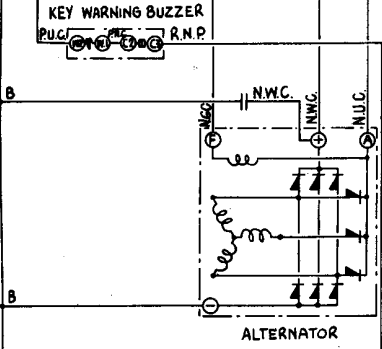
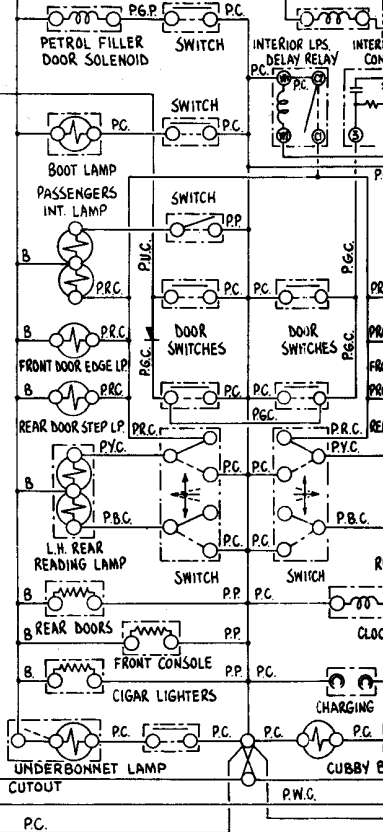
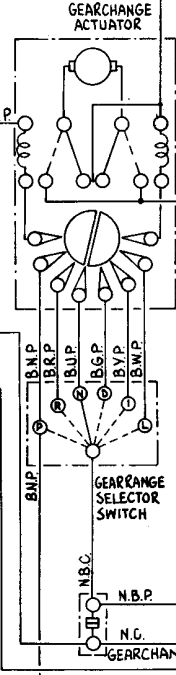
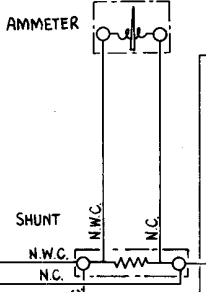
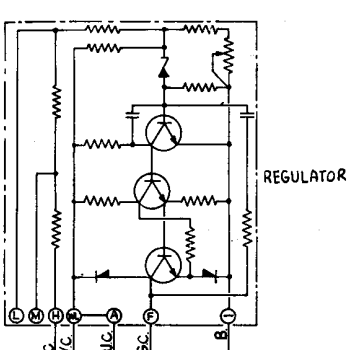
GENERATOR

AMMETER
SWITCHBOX
PARK SWITCH

GEARCHANGE

PETROL FILLER DOOR
INTERIOR LAMPS
CIGAR LIGHTERS

HEIGHT CONTROL
CLOCK
CHARGING SOCKET

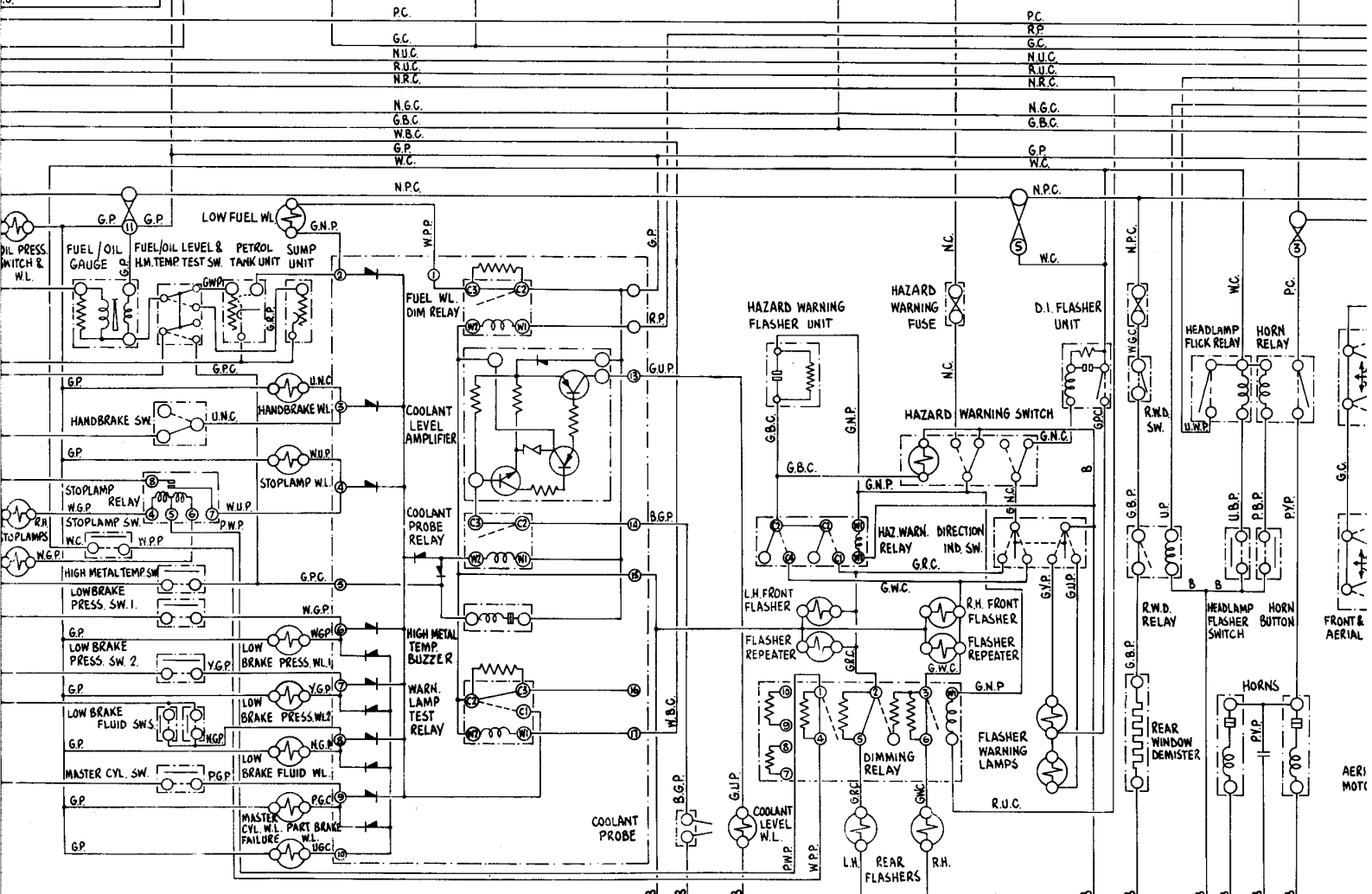
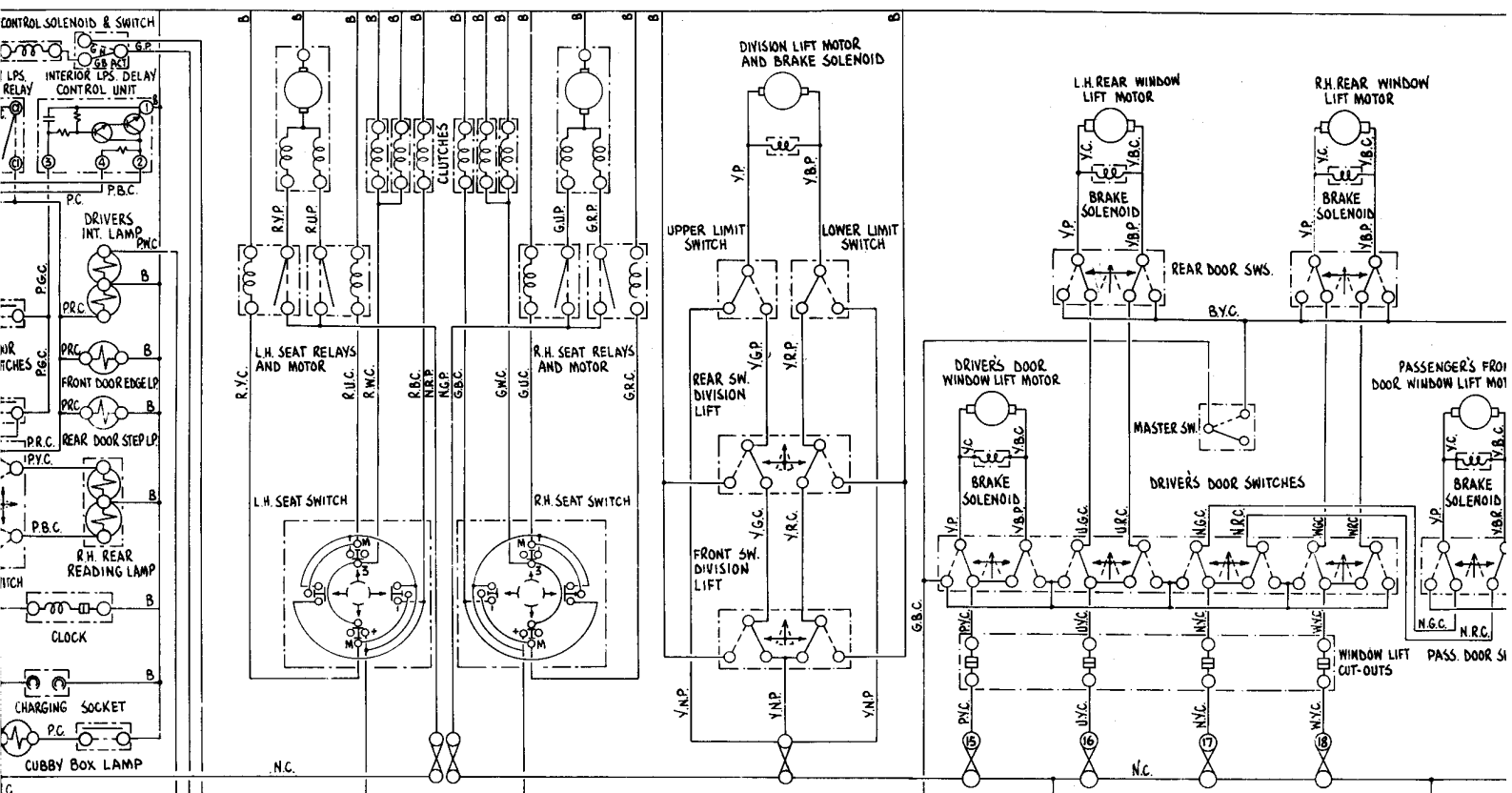


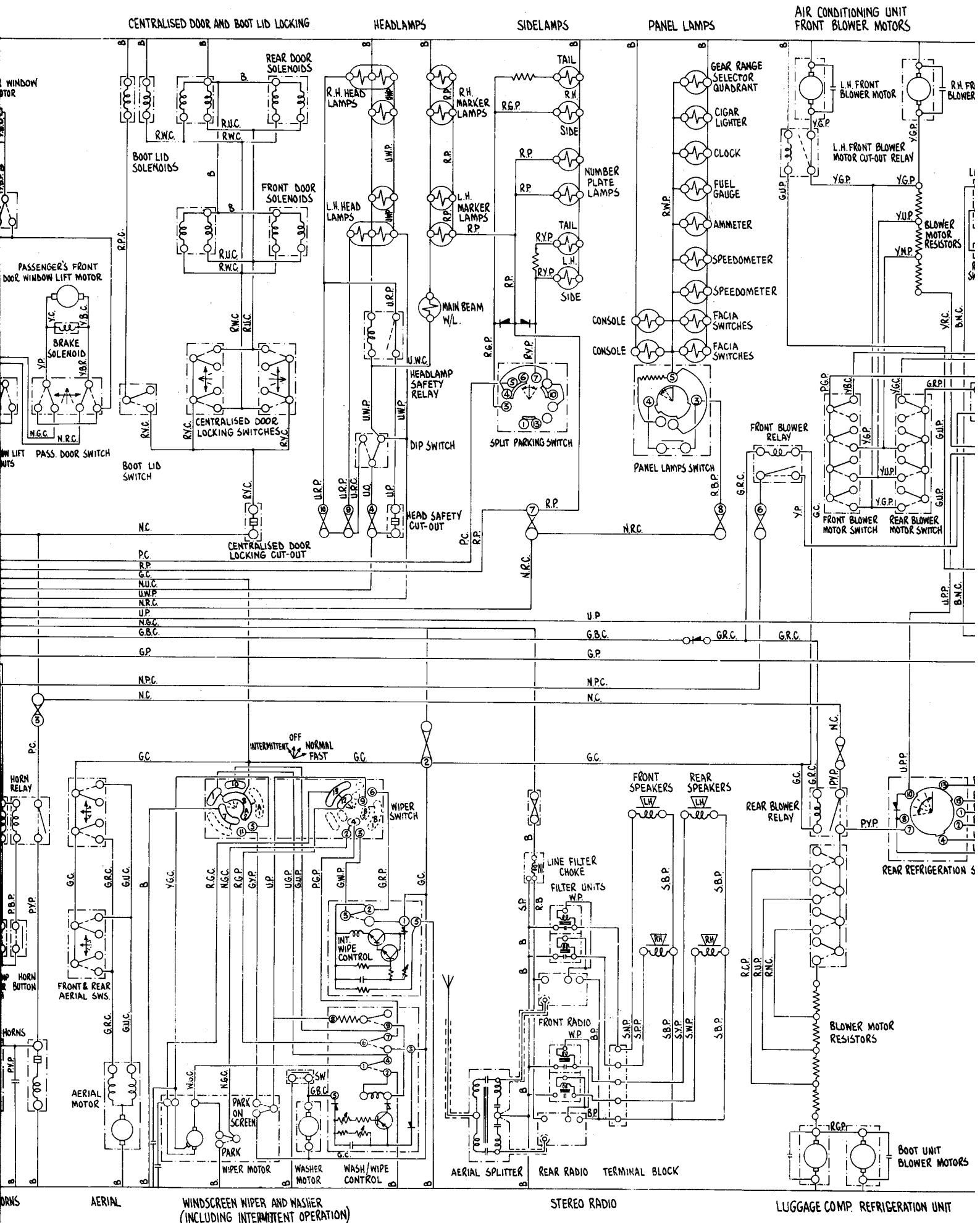
BATTERY
STARTER

WEAKENER CUT-OFF VALVE

REVERSE LAMPS

IGNITION





CENTRALISED DOOR AND BOOT LID LOCKING

HEADLAMPS

SIDELAMPS

PANEL LAMPS

AIR CONDITIONING UNIT FRONT BLOWER MOTORS

WINDOW MOTOR

PASSENGER'S FRONT DOOR WINDOW LIFT MOTOR

PASS. DOOR SWITCH

HORN RELAY

HORN

HORN

AERIAL

WINDSCREEN WIPER AND WASHER (INCLUDING INTERMITTENT OPERATION)

STEREO RADIO

LUGGAGE COMP. REFRIGERATION UNIT

WINDOW MOTOR

PASSENGER'S FRONT DOOR WINDOW LIFT MOTOR

PASS. DOOR SWITCH

HORN RELAY

HORN

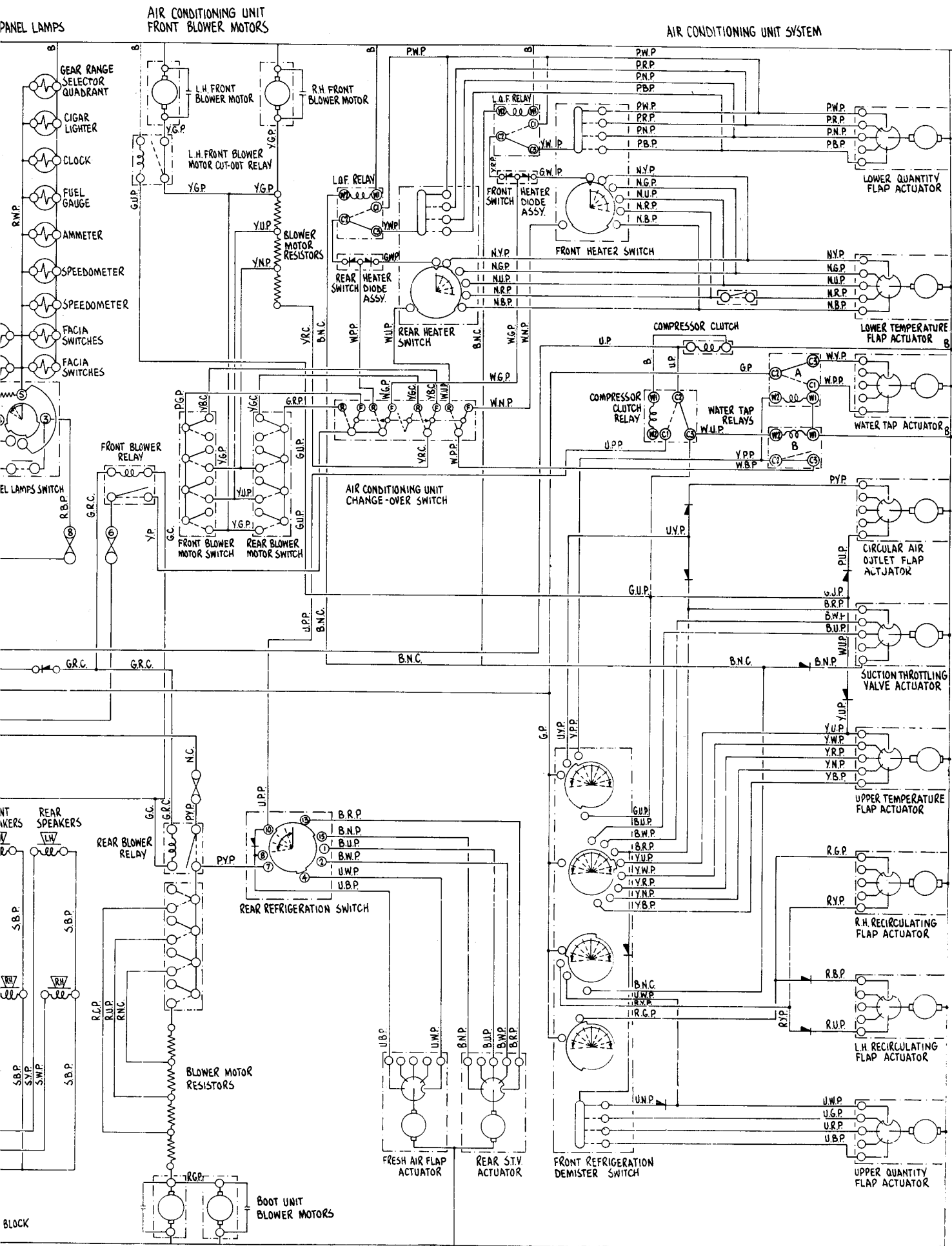
HORN

AERIAL

WINDSCREEN WIPER AND WASHER (INCLUDING INTERMITTENT OPERATION)

STEREO RADIO

LUGGAGE COMP. REFRIGERATION UNIT



LUGGAGE COMP. REFRIGERATION UNIT

THEORETICAL WIRING DIAGRAM

Sheet 4

For
Rolls-Royce Corniche Saloon
and
Bentley Corniche Saloon

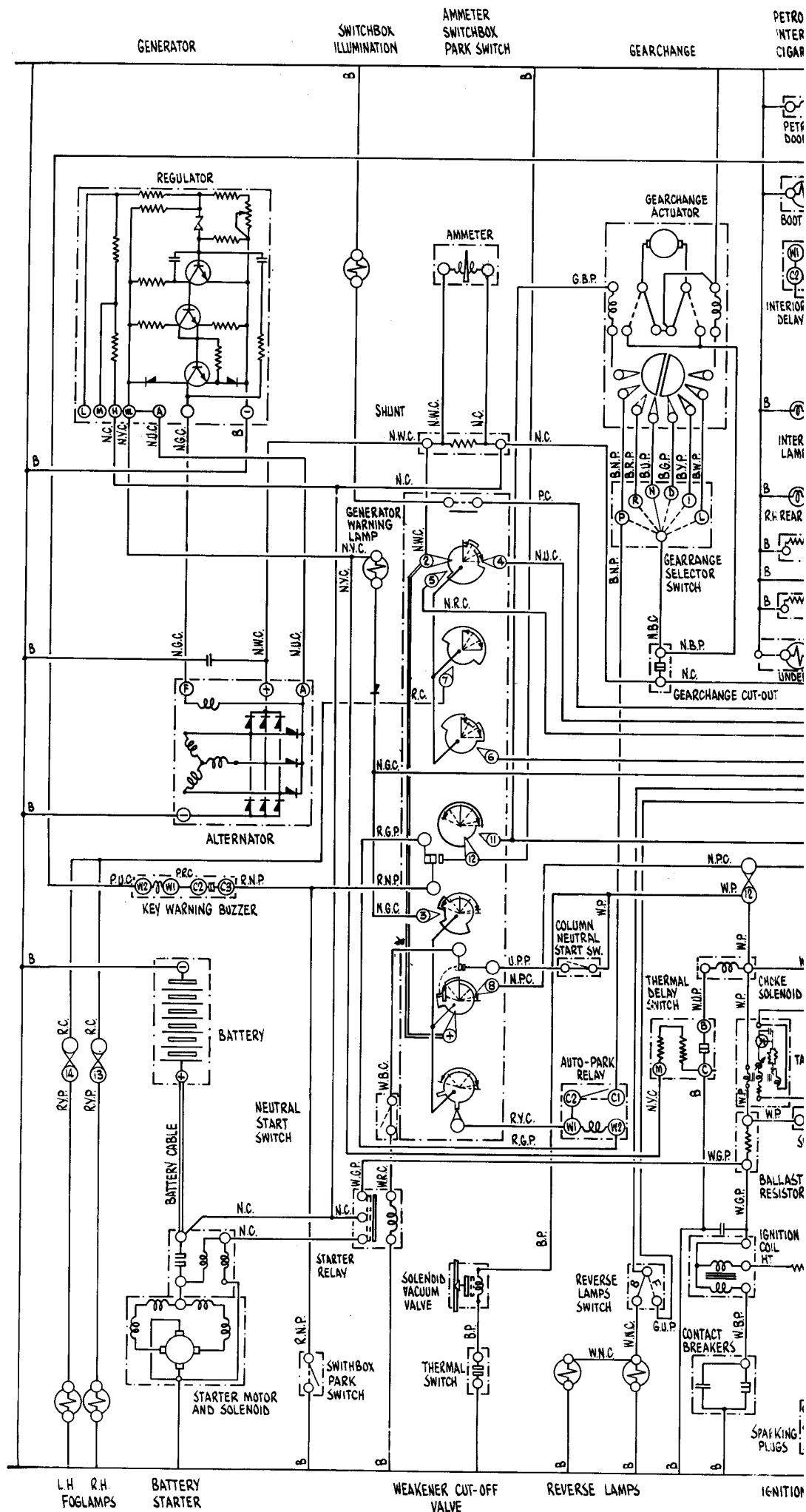
**LEFT-HAND DRIVE CARS FOR COUNTRIES
OTHER THAN USA AND CANADA FROM
CAR SERIAL NUMBER 13984**

T.S.D. Publication 2971

"© Rolls-Royce Motors Limited 1973"

"This document is the property of Rolls-Royce Motors Limited and may not be copied or communicated to a third party or used for any purpose other than that for which it is supplied without the express written authority of Rolls-Royce Motors Limited."

"Whilst the information in this document given in good faith based upon the latest knowledge available to Rolls-Royce Motors Limited. Rolls-Royce Motors Limited gives no warranty or representation concerning such information, and such information must not be taken as establishing any contractual or other commitment on the part of Rolls-Royce Motors Limited."



GENERATOR

SWITCHBOX ILLUMINATION

AMMETER SWITCHBOX PARK SWITCH

GEARCHANGE

PETRO INTER CIGAR

REGULATOR

AMMETER

GEARCHANGE ACTUATOR

ALTERNATOR

KEY WARNING BUZZER

BATTERY

NEUTRAL START SWITCH

STARTER MOTOR AND SOLENOID

GENERATOR WARNING LAMP

COLUMN NEUTRAL START SW.

THERMAL DELAY SWITCH

AUTO-PARK RELAY

CHOCKE SOLENOID

BALLAST RESISTOR

IGNITION COIL HT

SPARKING PLUGS

LH R.H. FOGLAMPS

BATTERY STARTER

WEAKENER CUT-OFF VALVE

REVERSE LAMPS

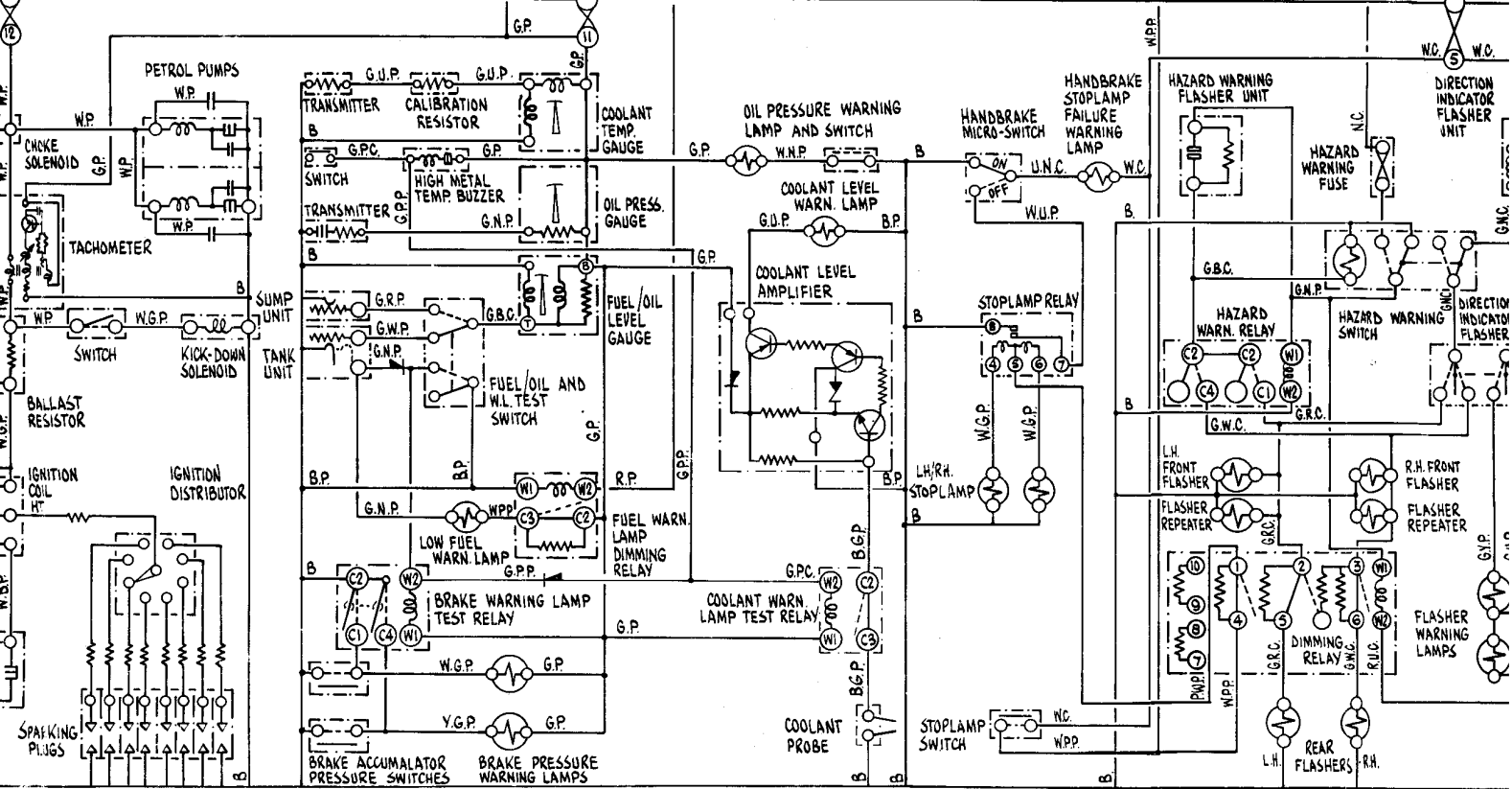
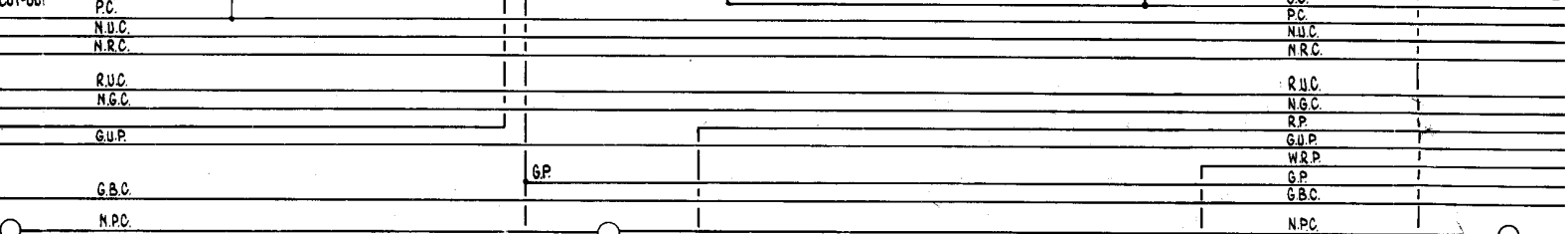
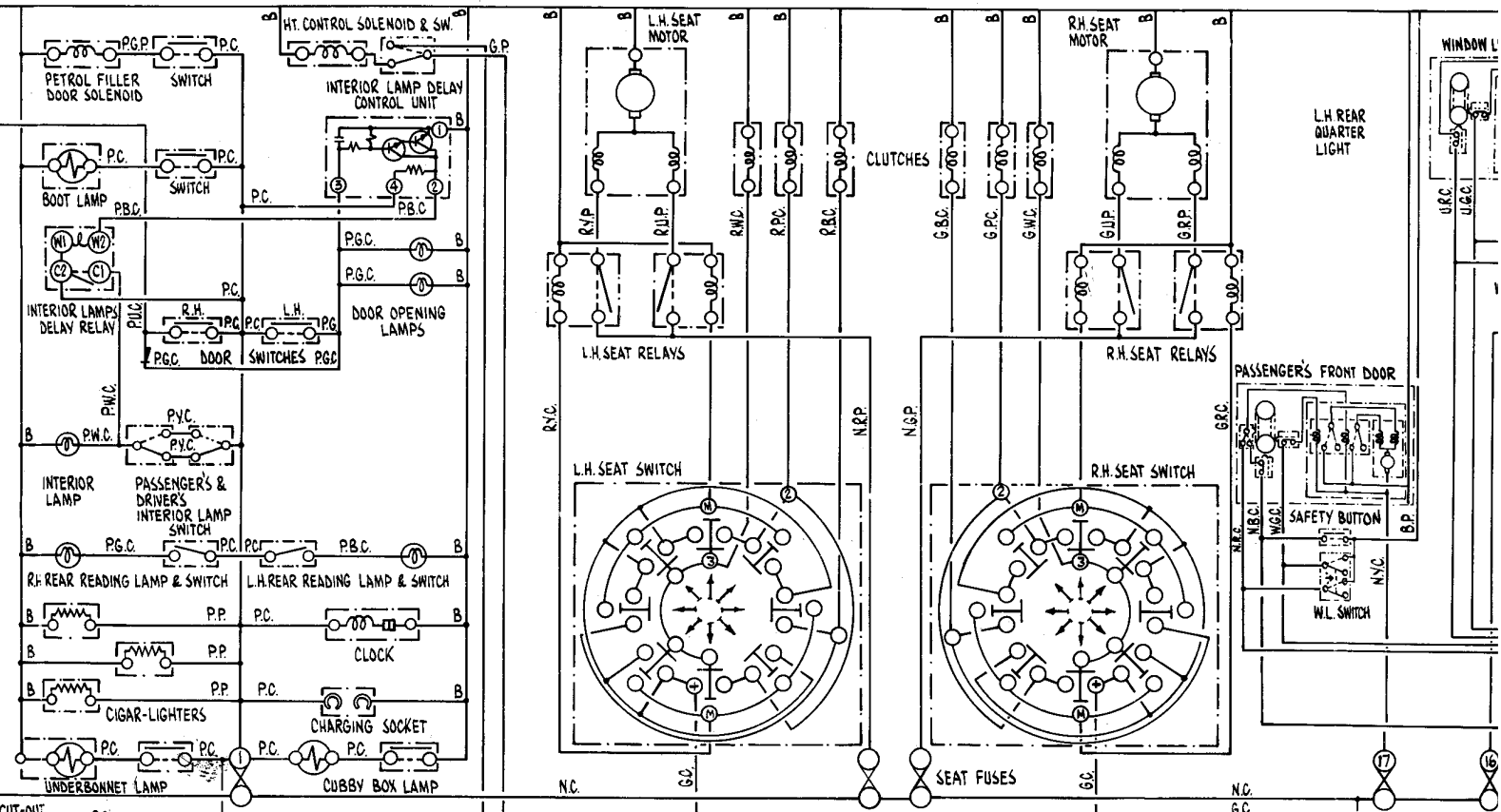
IGNITION

PETROL FILLER DOOR
INTERIOR LAMPS
CIGAR LIGHTERS

HEIGHT CONTROL
CLOCK
CHARGING SOCKET

ELECTRICALLY OPERATED SEATS

ELECTRIC



IGNITION

STOPLAMPS. WARNING LAMPS. FUEL-OIL PRESSURE-WATER TEMPERATURE GAUGES. HIGH METAL TEMPERATURE BUZZER. COOLANT PROBE

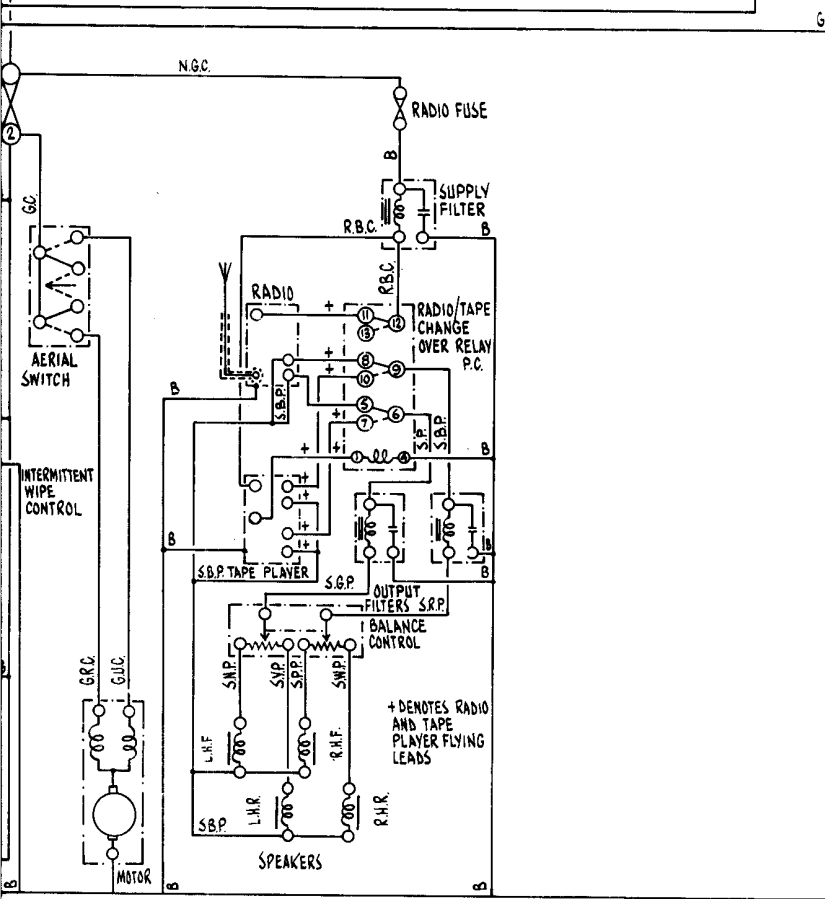
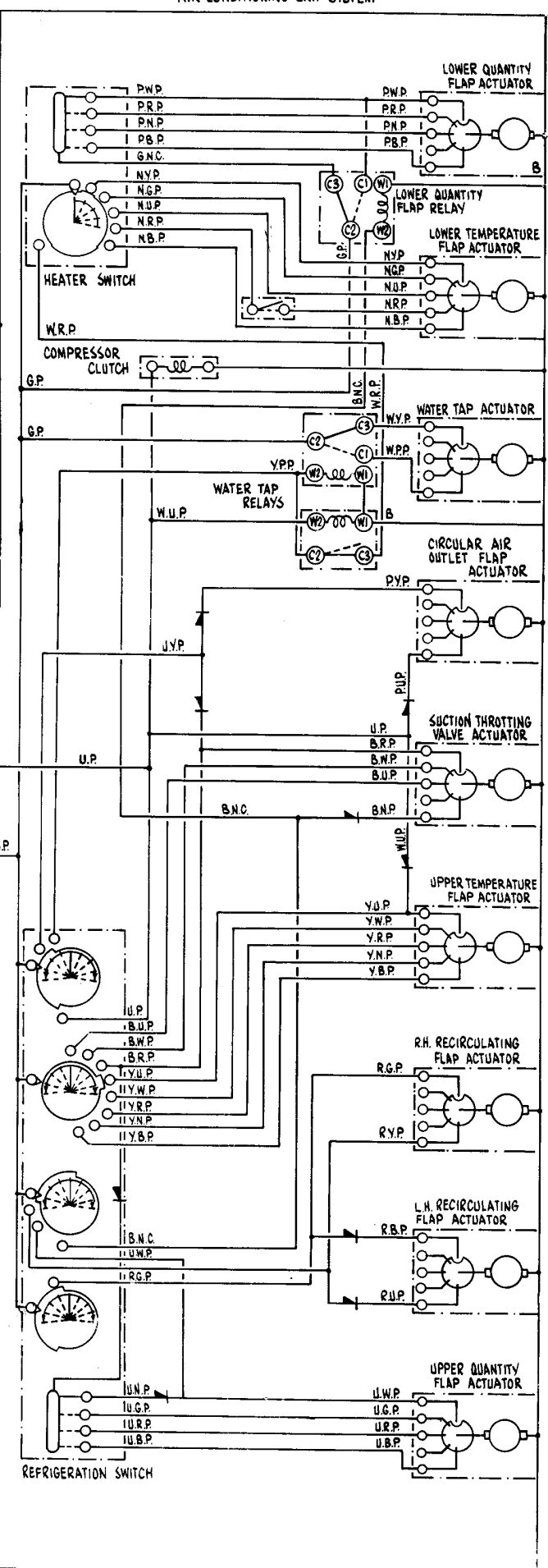
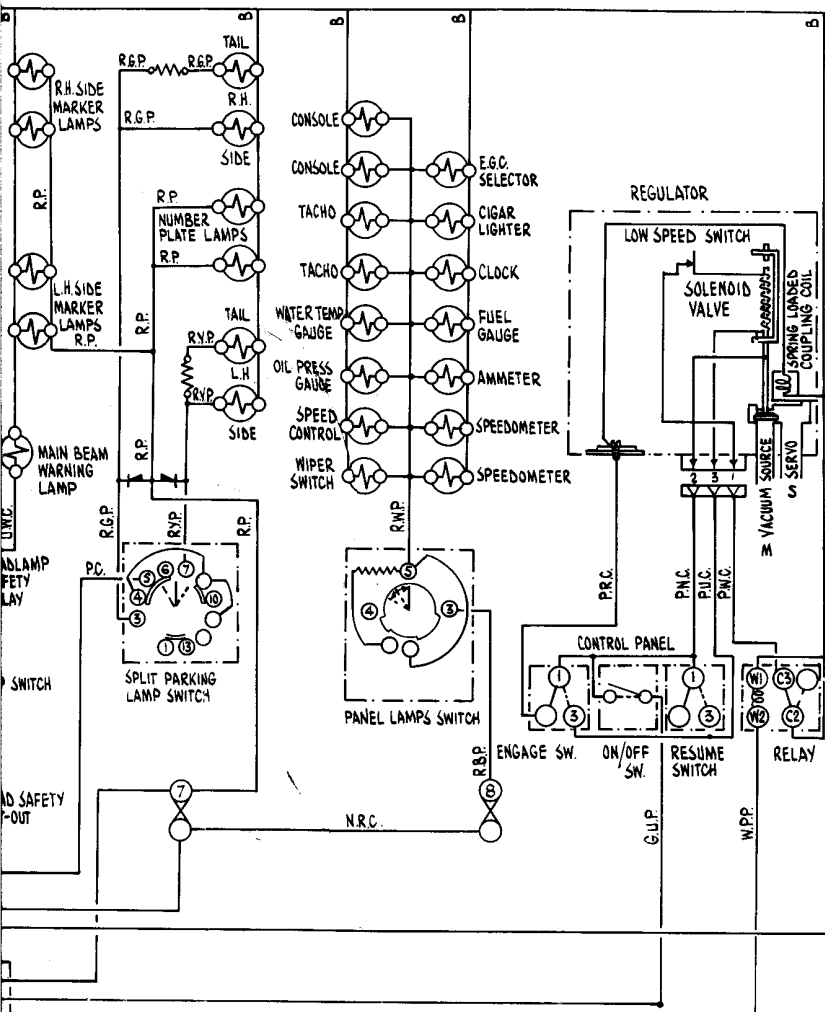
DIRECTION INDICATORS HAZARD WARNING

SIDLAMPS

PANEL LAMPS

TMORS SPEED CONTROL

AIR CONDITIONING UNIT SYSTEM



AERIAL RADIO AND TAPE PLAYER STEREO RADIO/STEREO TAPE

THEORETICAL WIRING DIAGRAM

Sheet 5

For
Rolls-Royce Corniche Saloon
and
Bentley Corniche Saloon

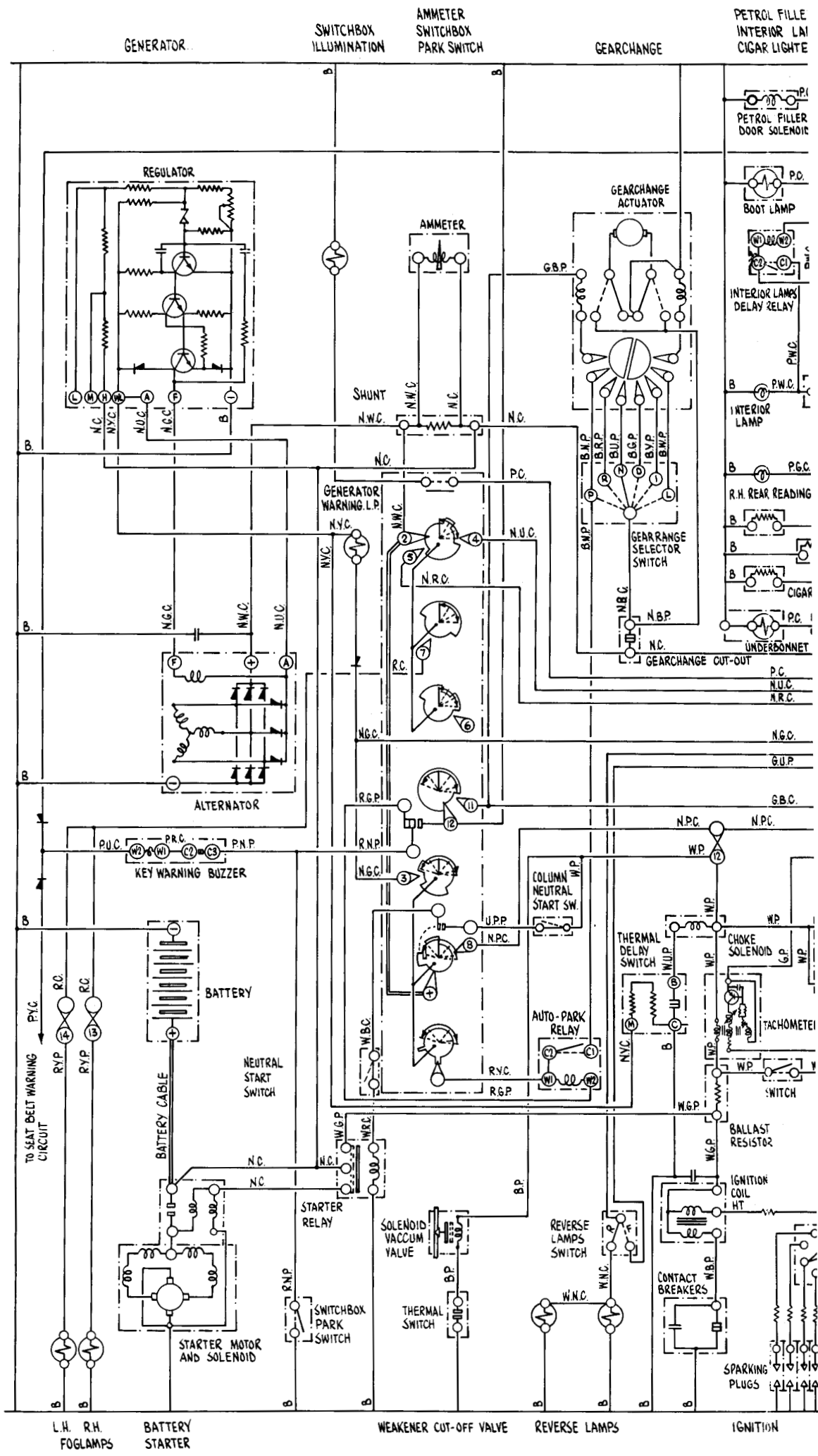
**LEFT-HAND DRIVE CARS FOR USA AND
CANADA FROM CAR SERIAL NUMBER
13459**

T.S.D. Publication 2970

"© Rolls-Royce Motors Limited 1973"

"This document is the property of Rolls-Royce Motors Limited and may not be copied or communicated to a third party or used for any purpose other than that for which it is supplied without the express written authority of Rolls-Royce Motors Limited."

"Whilst the information in this document given in good faith based upon the latest knowledge available to Rolls-Royce Motors Limited. Rolls-Royce Motors Limited gives no warranty or representation concerning such information, and such information must not be taken as establishing any contractual or other commitment on the part of Rolls-Royce Motors Limited."



L.H. R.H. FOGLAMPS

BATTERY STARTER

WEAKENER CUT-OFF VALVE

REVERSE LAMPS

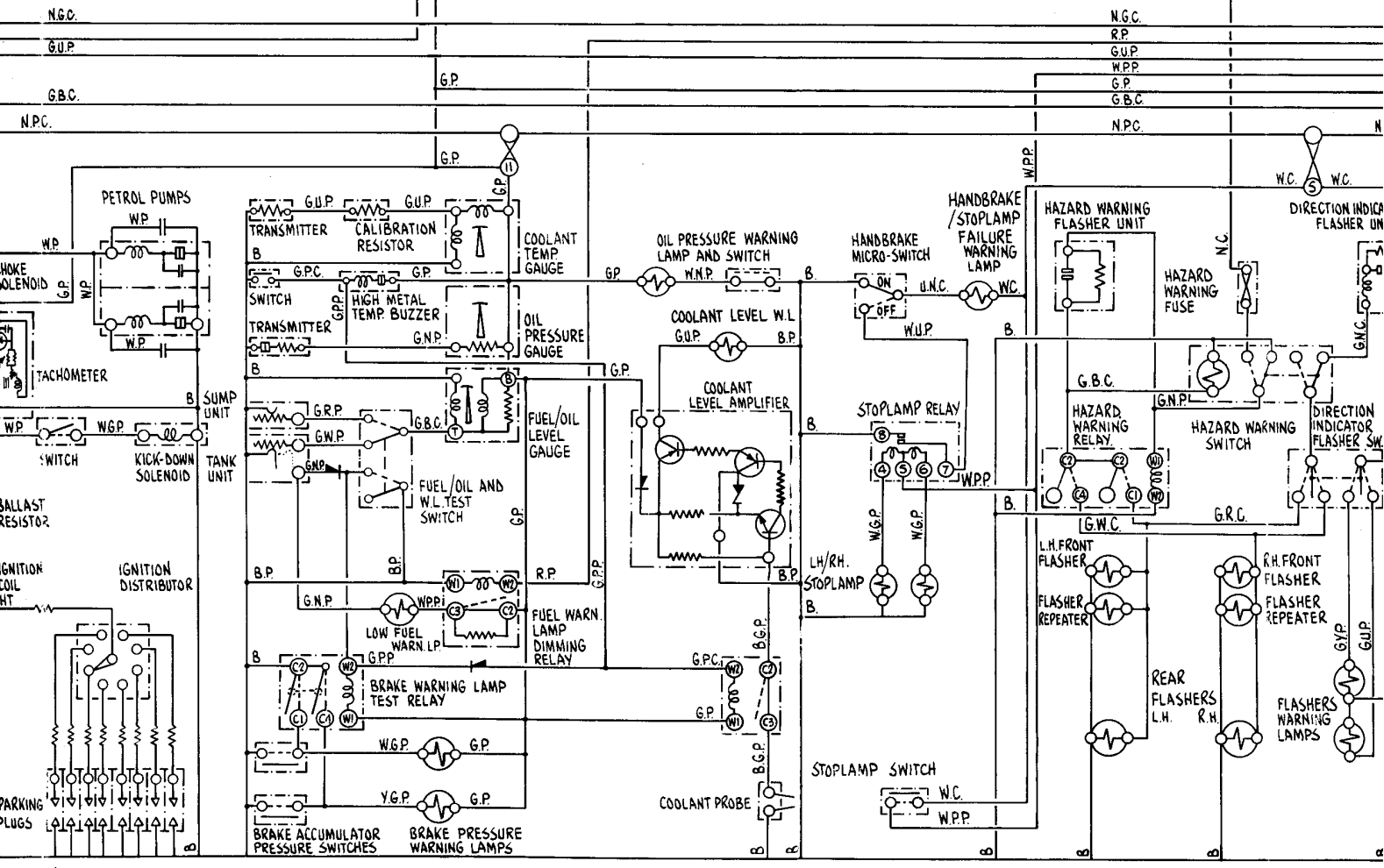
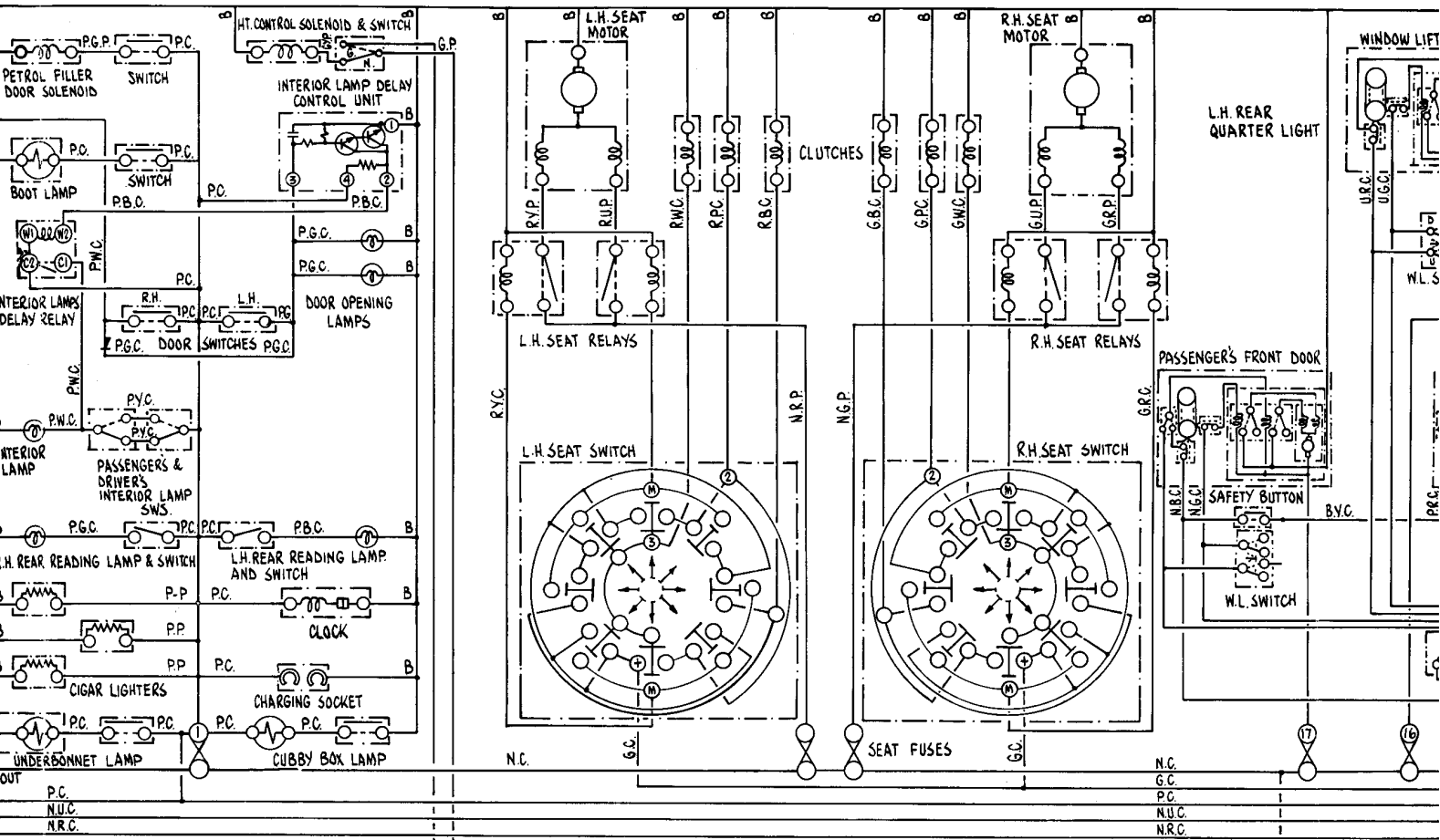
IGNITION

PETROL FILLER DOOR
 INTERIOR LAMPS
 CIGAR LIGHTERS

HEIGHT CONTROL
 CLOCK
 CHARGING SOCKET

ELECTRICALLY OPERATED SEATS

ELECTRIC WI



STOPLAMPS. WARNING LAMPS. FUEL - OIL PRESSURE - WATER TEMP
 GAUGES. HIGH METAL TEMPERATURE BUZZER. COOLANT PROBE.

DIRECTION INDICATORS. HAZARD WARNING

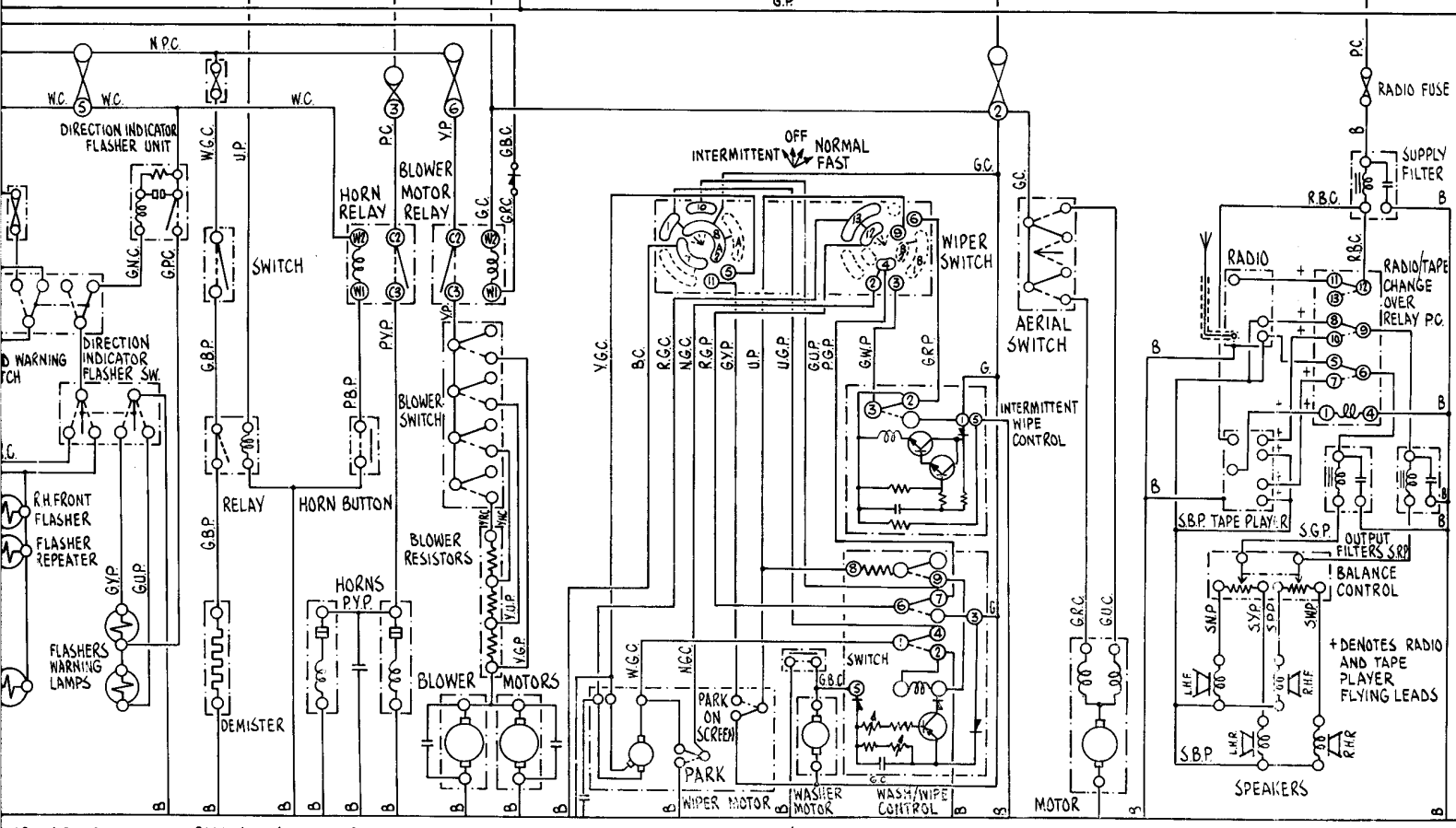
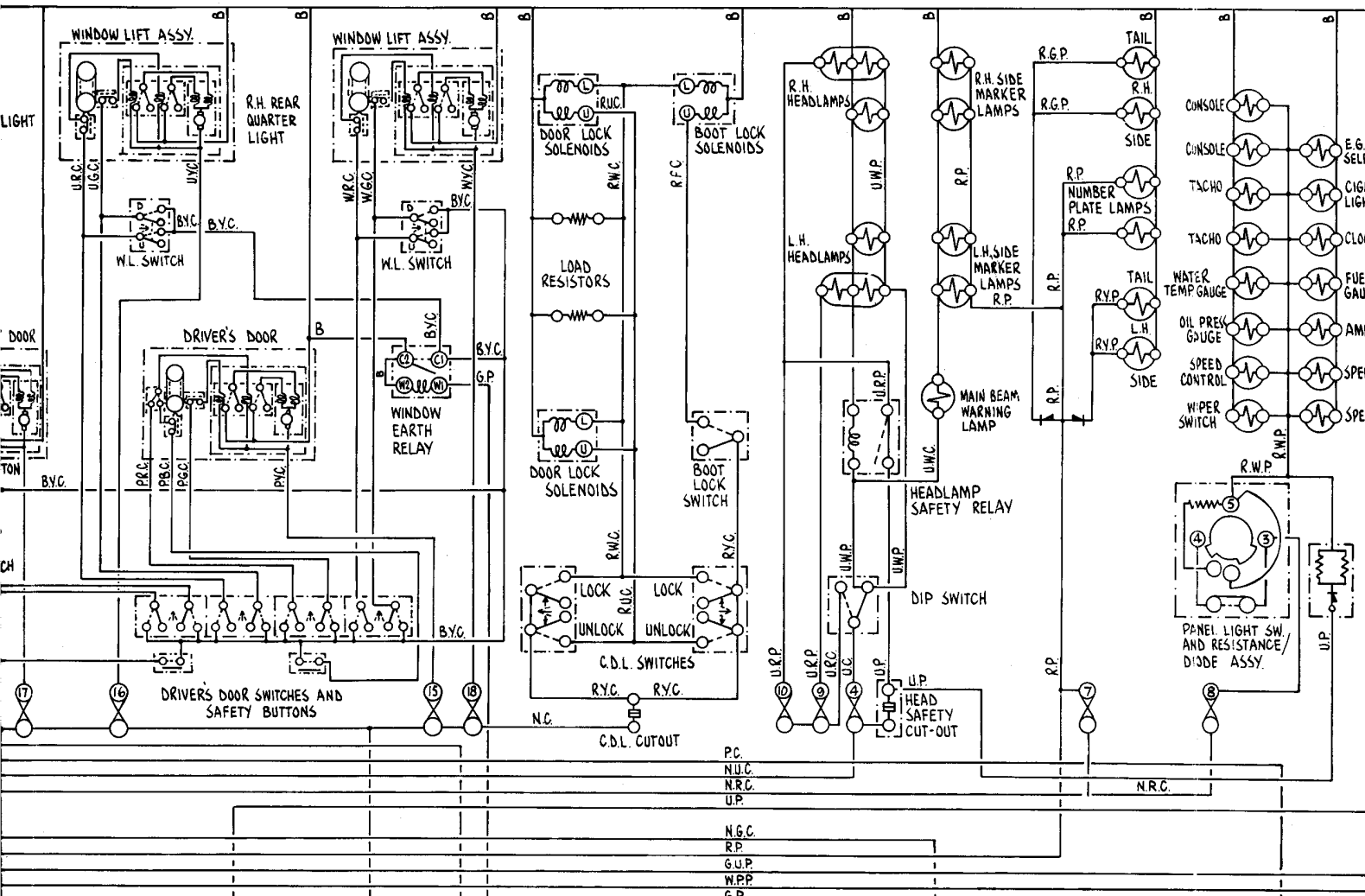
ELECTRIC WINDOW LIFTS

CENTRALISED DOOR BOOT LID LOCKING

HEADLAMPS

SIDELAMPS

PANEL LAMPS



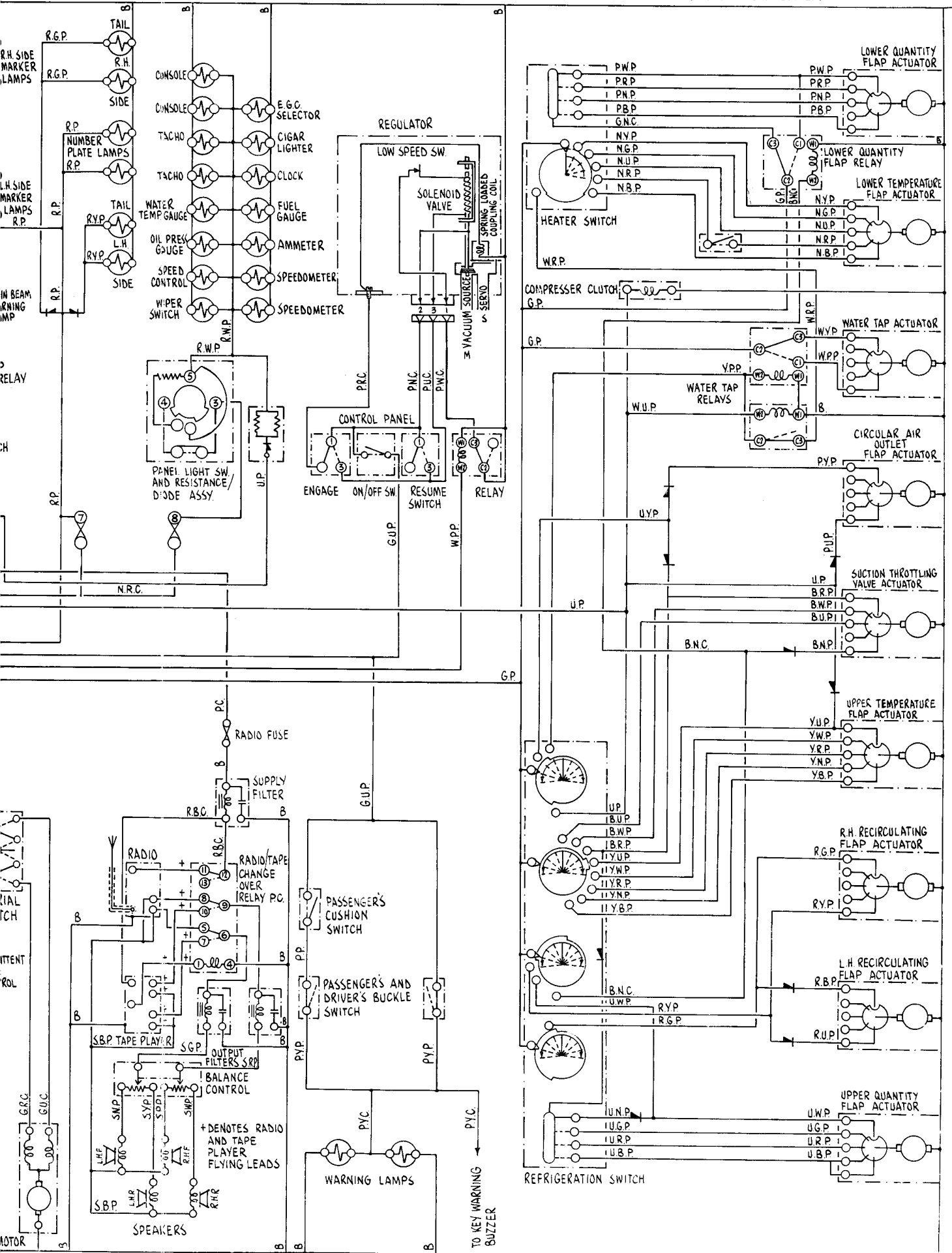
HAZARD WARNING REAR WINDOW DEMISTER HORNS BLOWER MOTORS WINDSCREEN WIPER (INCLUDING INTERMITTENT OPERATION) AND WASHER AERIAL RADIO AND TAPE PLAYER STEREO RADIO STEREO TAPE

SIDELAMPS

PANEL LAMPS

TIERS SPEED CONTROL

AIR CONDITIONING UNIT SYSTEM



RADIO AND TAPE PLAYER
STEREO RADIO STEREO TAPE

SEAT BELT WARNING

THEORETICAL WIRING DIAGRAM

Sheet 6

For
Rolls-Royce Corniche Saloon
and
Bentley Corniche Saloon

**RIGHT-HAND DRIVE CARS FROM CAR
NUMBER 13984**

T.S.D. Publication 2965

"© Rolls-Royce Motors Limited 1973"

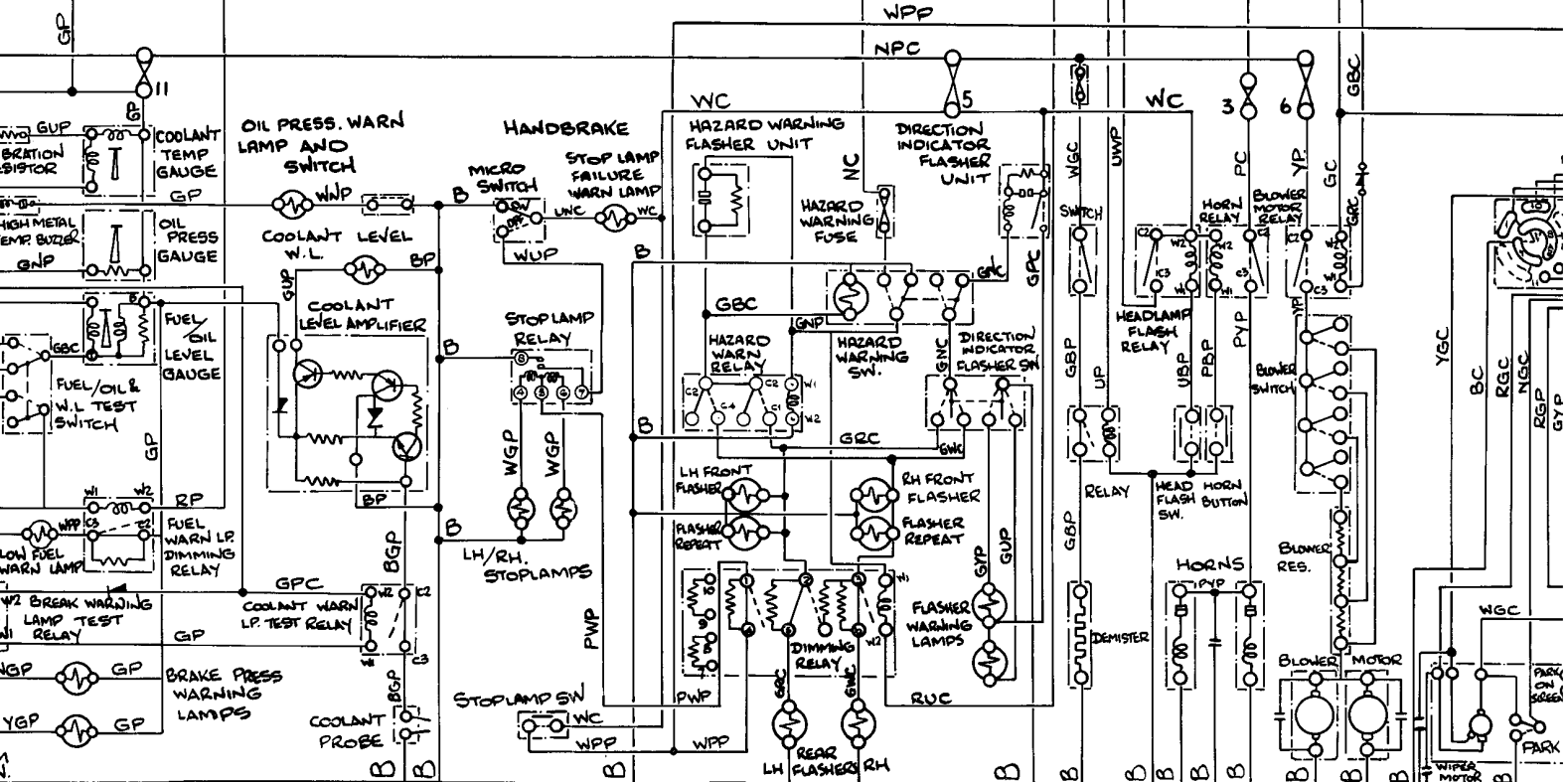
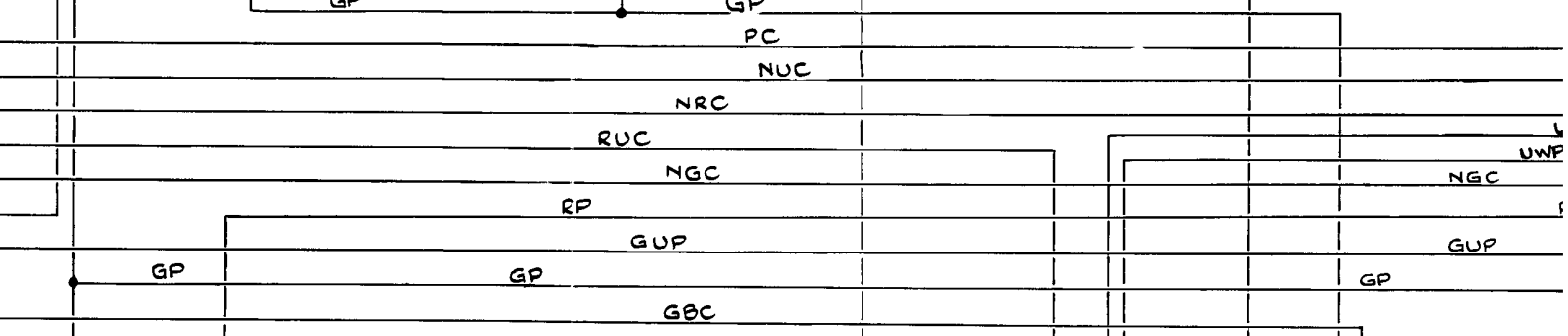
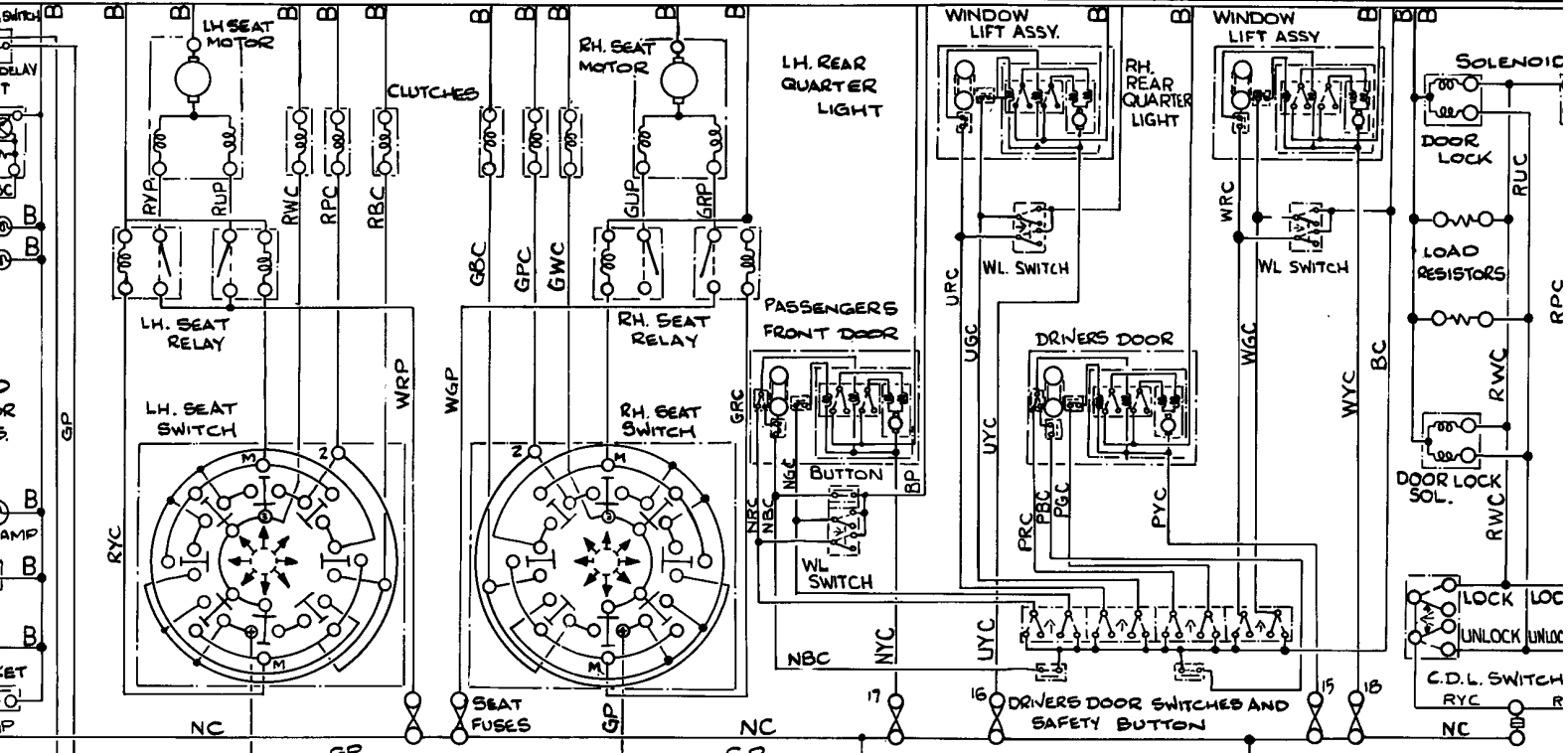
"This document is the property of Rolls-Royce Motors Limited and may not be copied or communicated to a third party or used for any purpose other than that for which it is supplied without the express written authority of Rolls-Royce Motors Limited."

"Whilst the information in this document given in good faith based upon the latest knowledge available to Rolls-Royce Motors Limited, Rolls-Royce Motors Limited gives no warranty or representation concerning such information, and such information must not be taken as establishing any contractual or other commitment on the part of Rolls-Royce Motors Limited."

SOCKET

ELECTRICALLY OPERATED SEATS

ELECTRICAL WINDOW LIFTS



WARNING LAMPS FUEL, OIL PRESSURE, WATER TEMP. COOLANT PROBE
 HIGH METAL TEMP. BUZZER. COOLANT PROBE
 DIRECTION INDICATORS HAZARD WARNING
 REAR WINDOW DEMISTER
 HORNS
 BLOWERS WINDSCREE (INCLUDING INT)

DOOR
LOCK

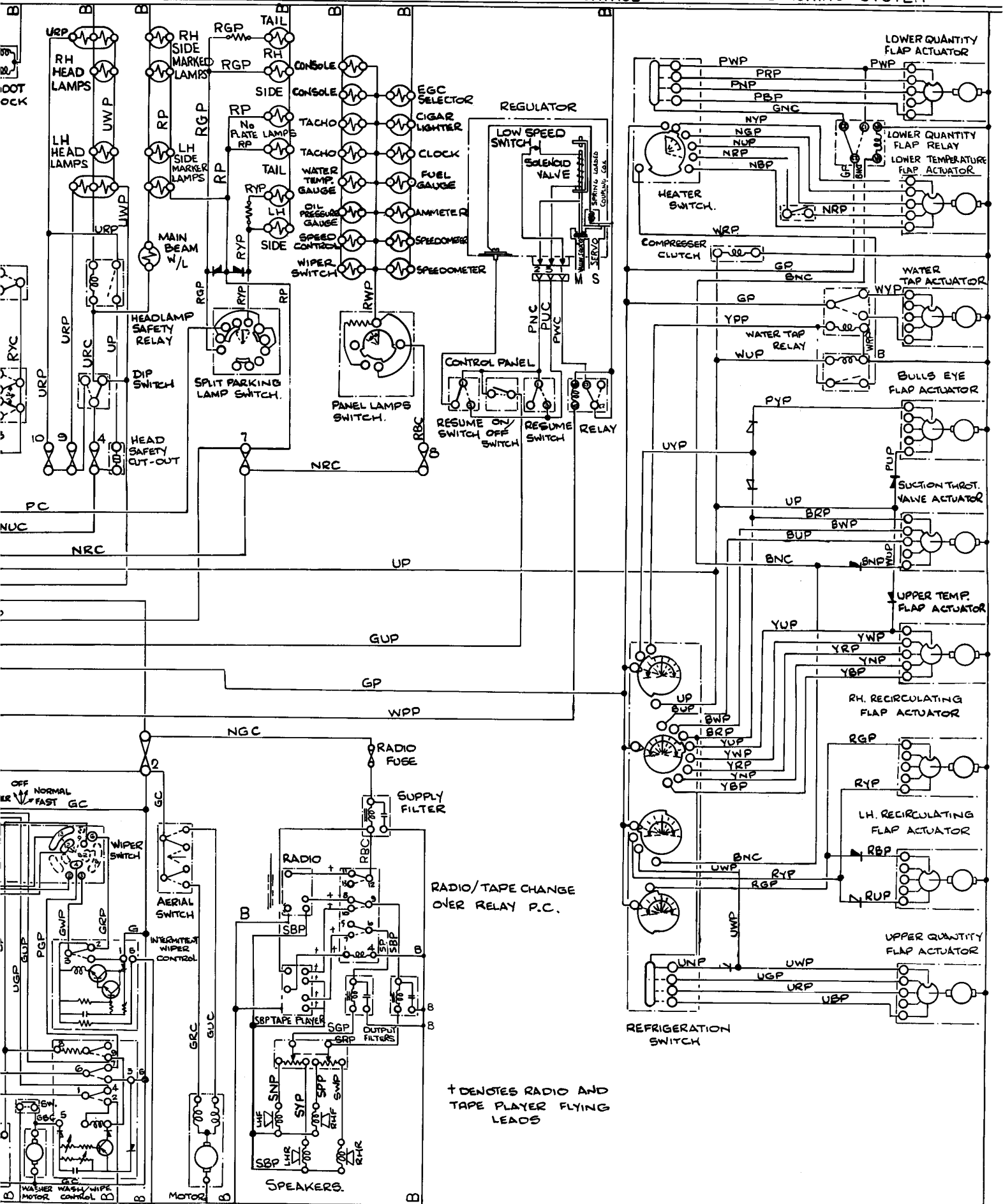
HEADLAMPS

SIDELAMPS

PANEL LAMPS

JMORS SPEED CONTROL

AIR CONDITIONING SYSTEM



WIPER & WASHER
(INTERMITTENT OPERATION)

AERIAL

RADIO & TAPE PLAYER

MONO RADIO STEREOTAPE

THEORETICAL WIRING DIAGRAM

Sheet 7

For
Rolls-Royce Corniche Convertible
and
Bentley Corniche Convertible

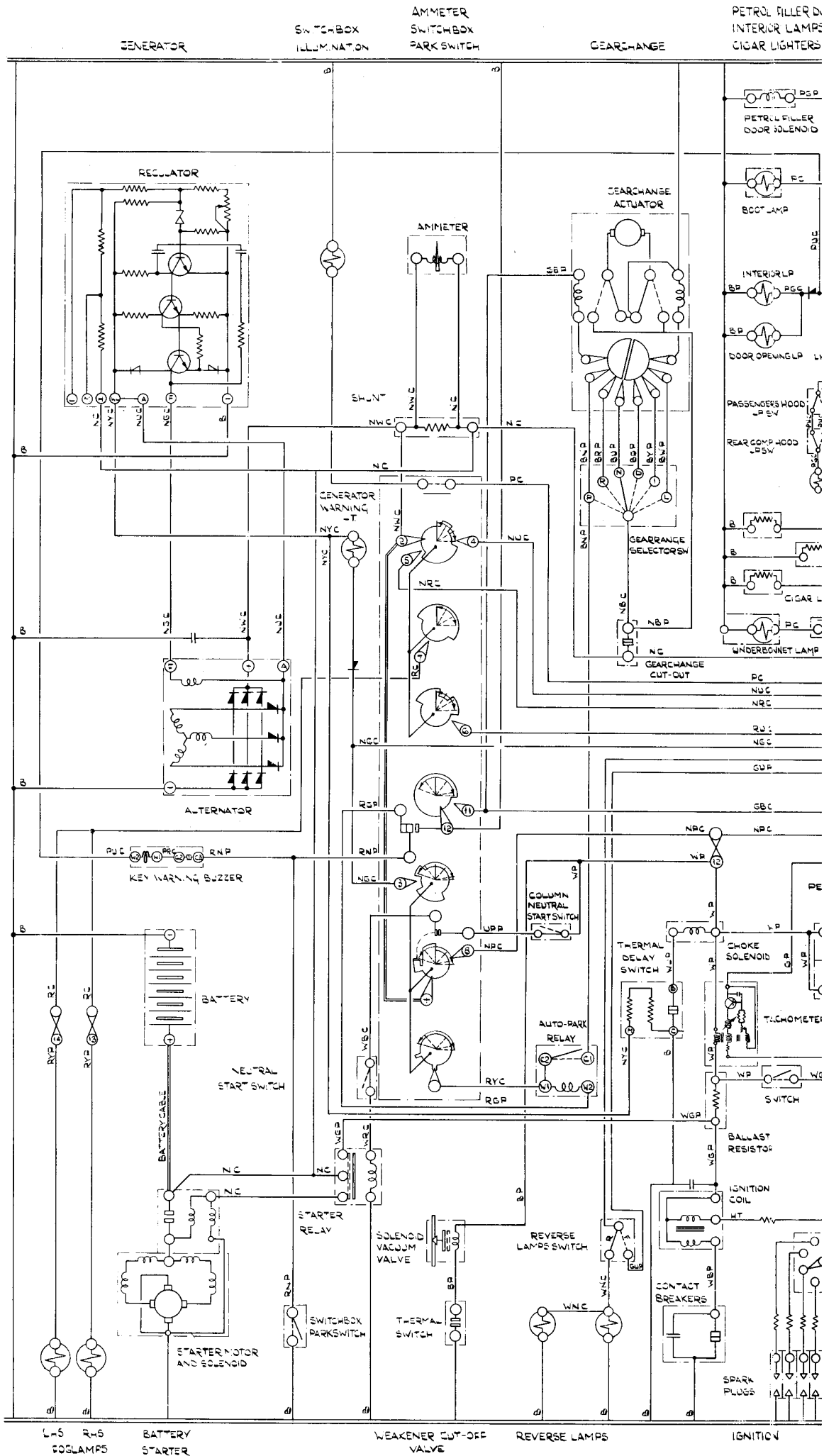
**LEFT-HAND DRIVE CARS FOR COUNTRIES
OTHER THAN USA AND CANADA FROM
CAR SERIAL NUMBER 13861**

T.S.D. Publication 2966

"© Rolls-Royce Motors Limited 1973"

"This document is the property of Rolls-Royce Motors Limited and may not be copied or communicated to a third party or used for any purpose other than that for which it is supplied without the express written authority of Rolls-Royce Motors Limited."

"Whilst the information in this document given in good faith based upon the latest knowledge available to Rolls-Royce Motors Limited. Rolls-Royce Motors Limited gives no warranty or representation concerning such information, and such information must not be taken as establishing any contractual or other commitment on the part of Rolls-Royce Motors Limited."



L-5 R-5
50SLAMPS

BATTERY
STARTER

WEAKENER CUT-OFF
VALVE

REVERSE LAMPS

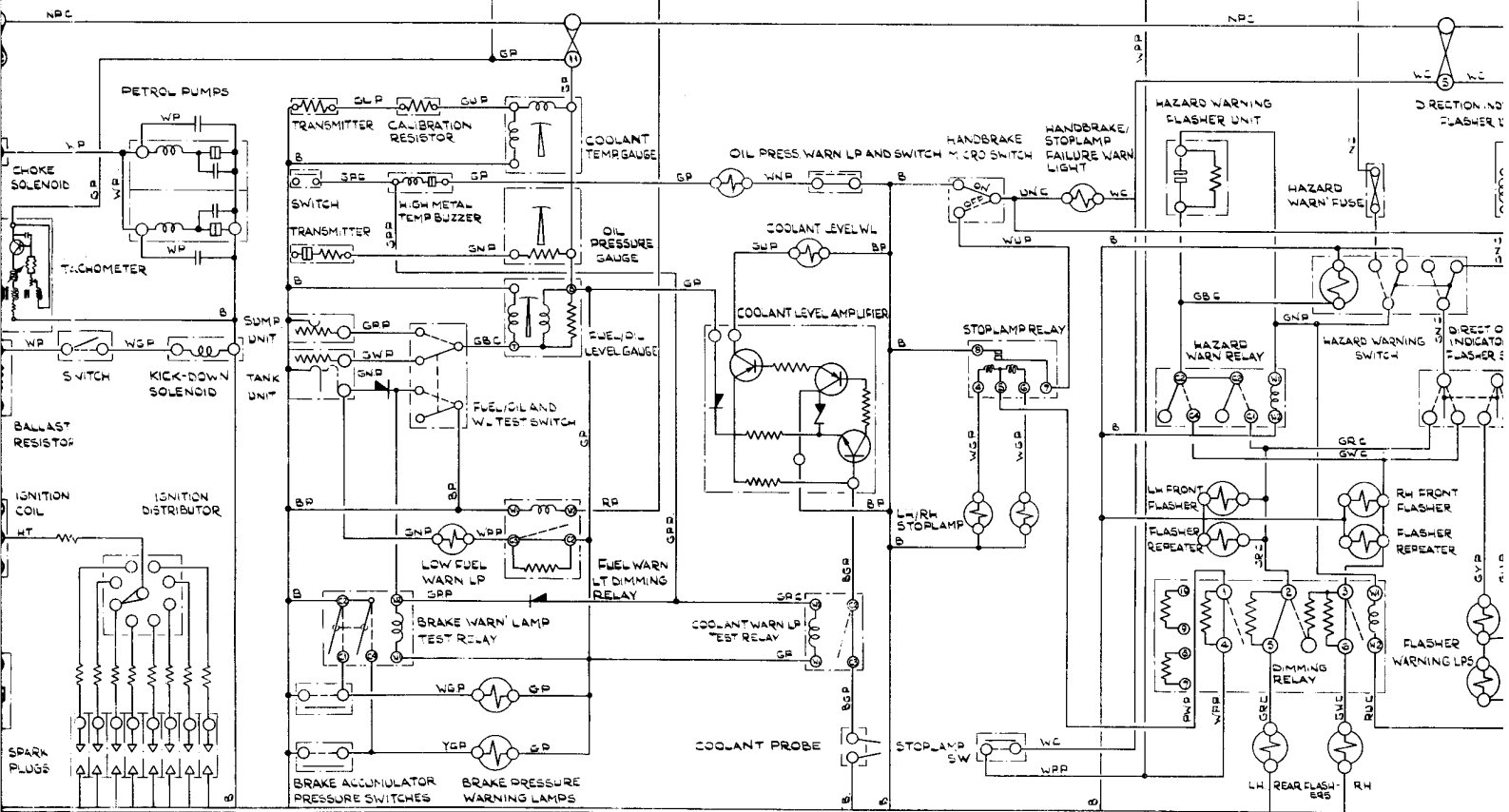
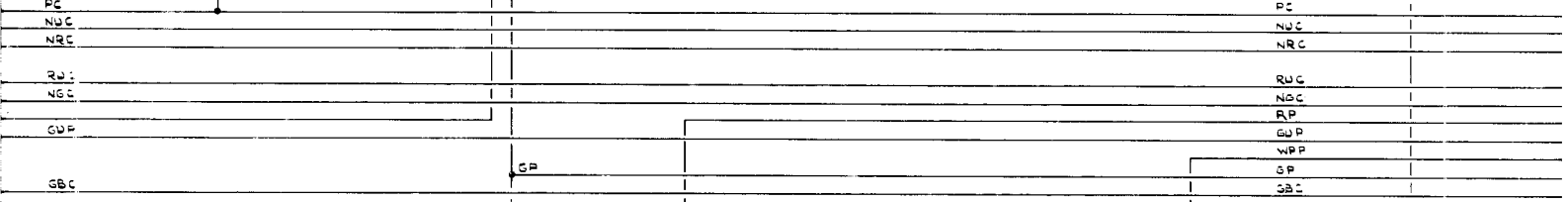
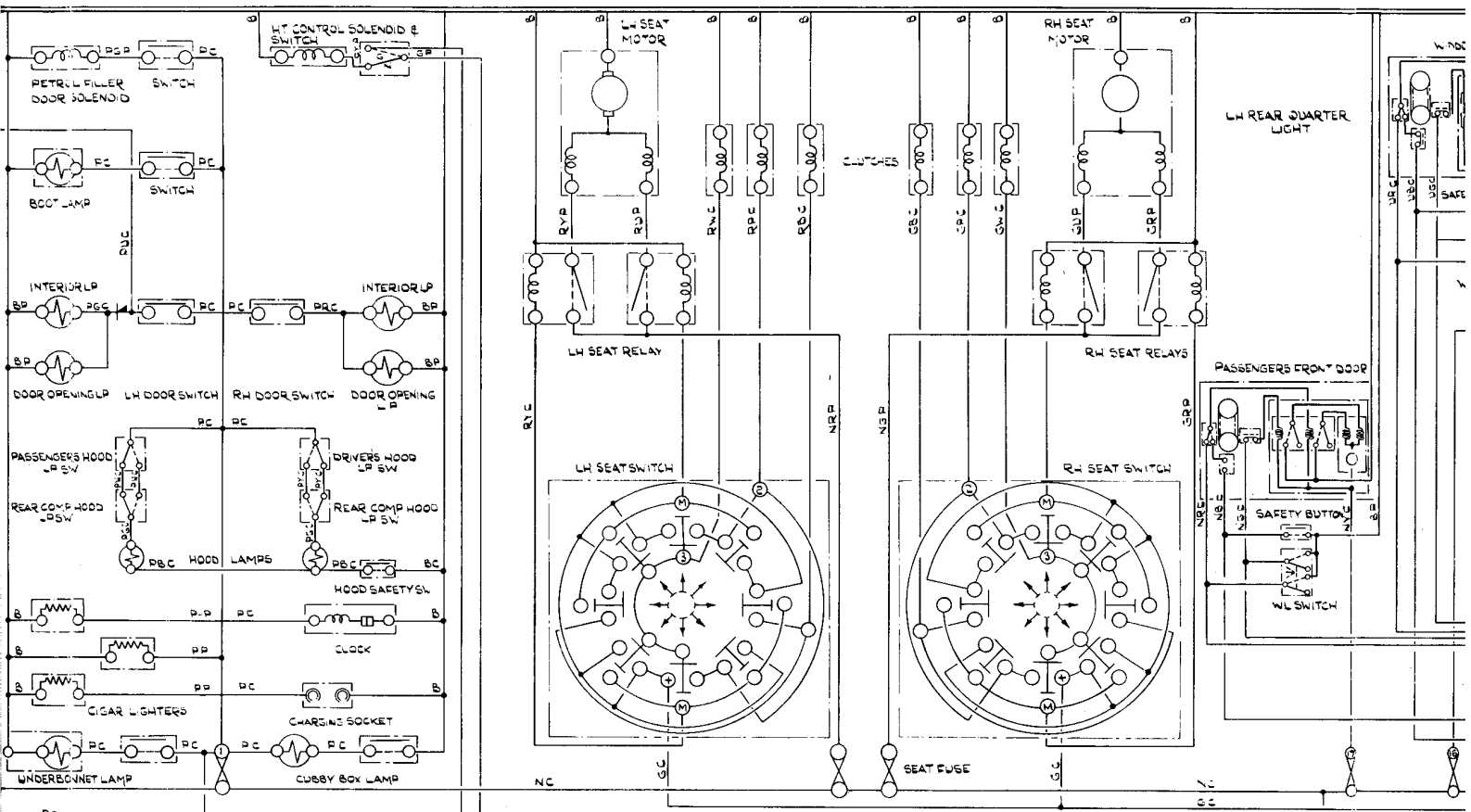
IGNITION

PETROL FILLER DOOR
INTERIOR LAMPS
CIGAR LIGHTERS

HEIGHT CONTROL
CLOCK
CHARGING SOCKET

ELECTRICALLY OPERATED SEATS

ELECTRIC



IGNITION

STOP LAMPS WARNING LAMPS FUEL-OIL PRESSURE WATER TEMP
GAUGES HIGH METAL TEMPERATURE BUZZER COOLANT PROBE

DIRECTION INDICATORS HAZARD WARNING

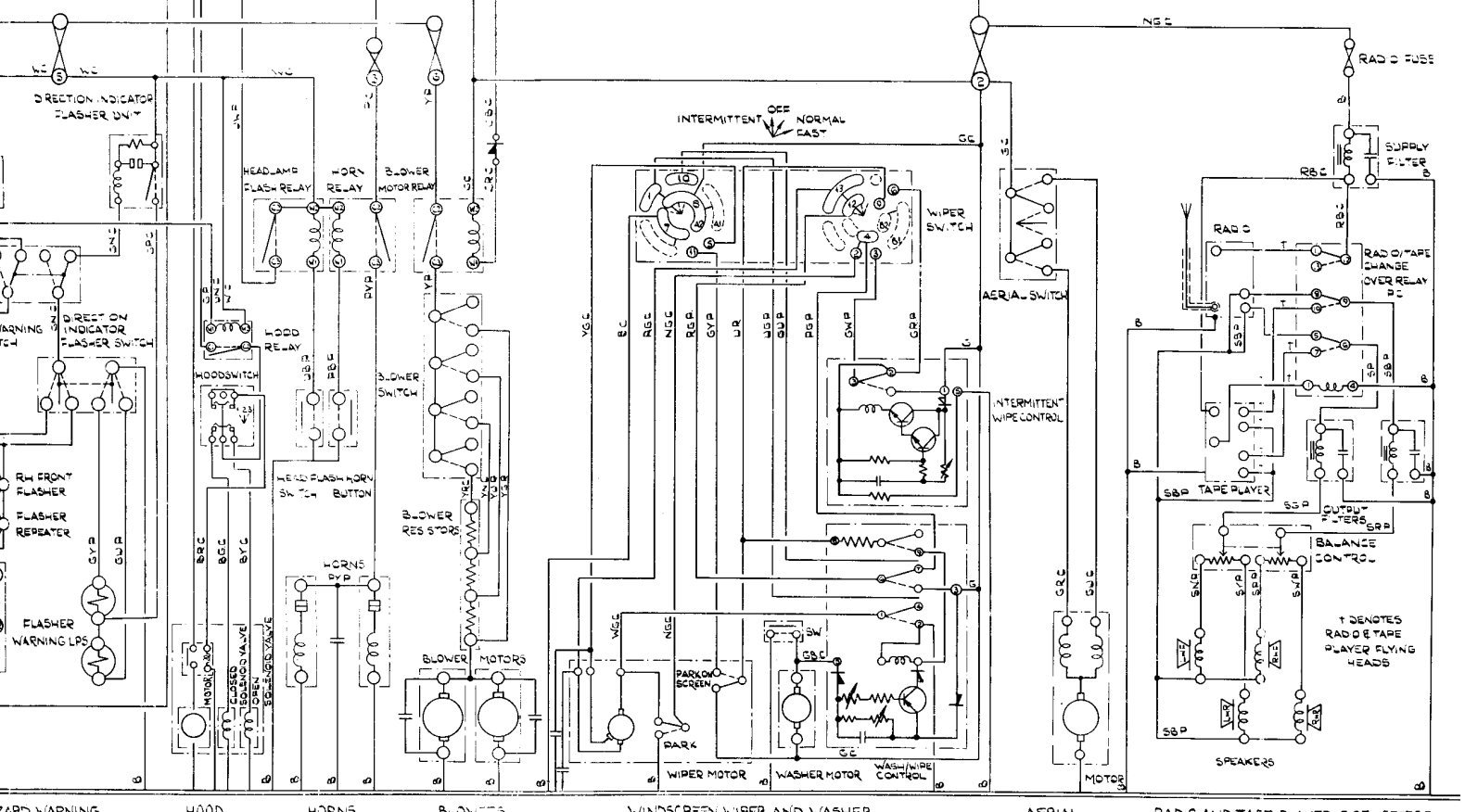
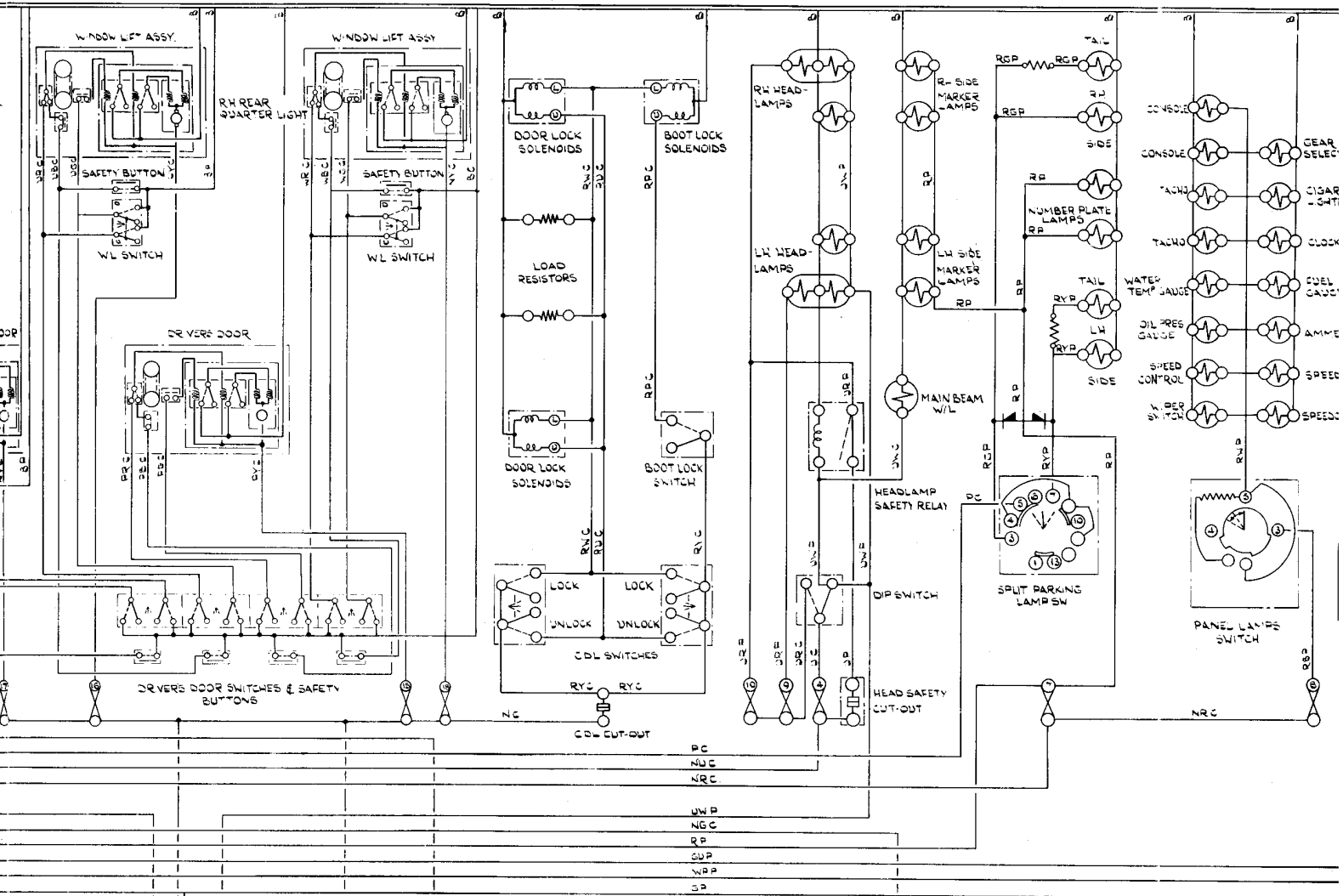
ELECTRIC WINDOW LIFTS

CENTRALISED DOOR & BOOT LID LOCKING

HEADLAMPS

SIDLAMPS

PANEL LAMPS

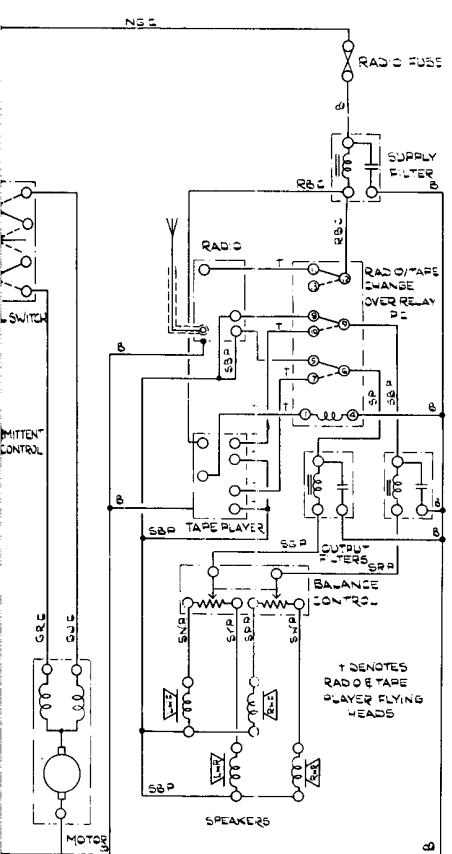
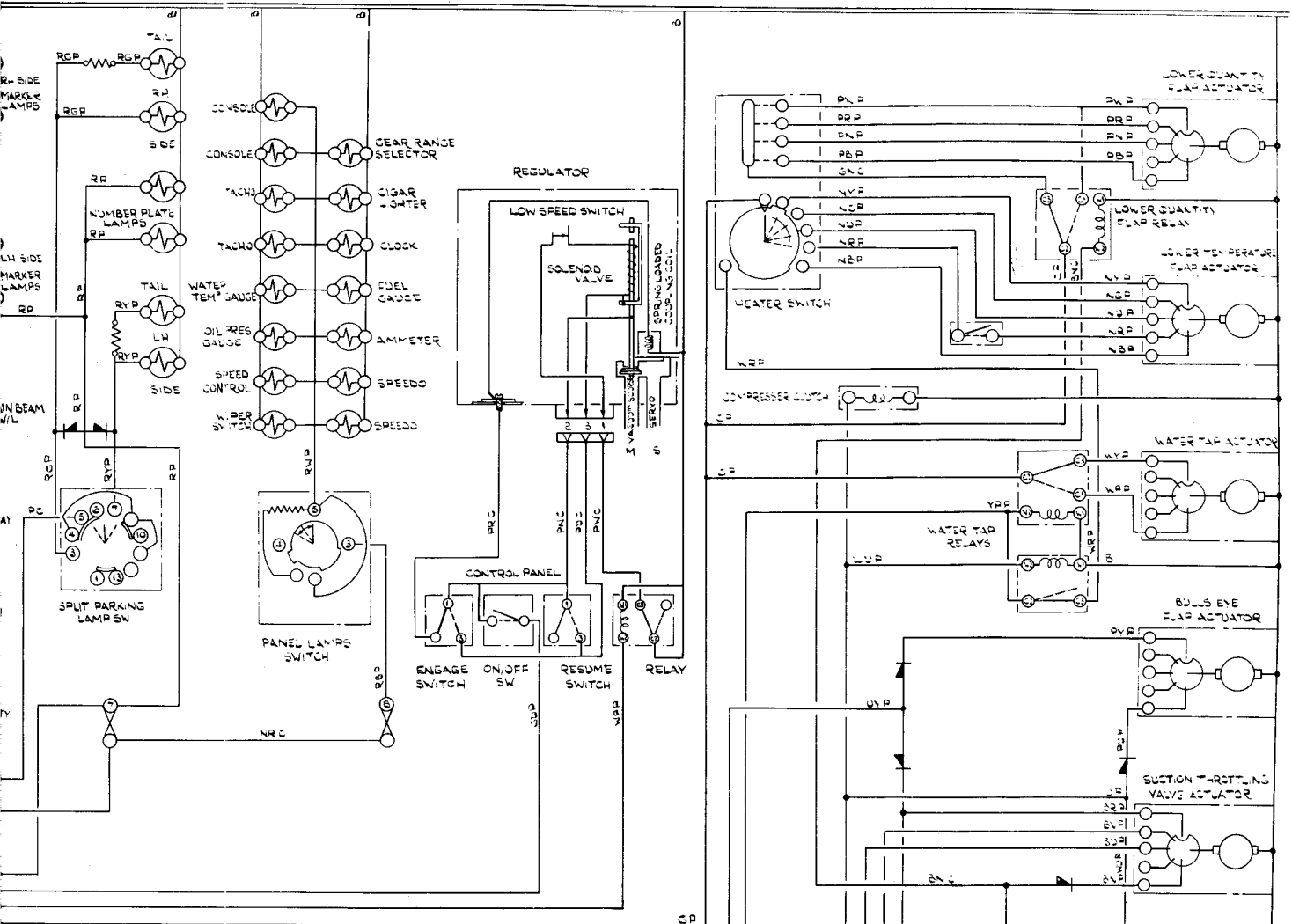


SIDELAMPS

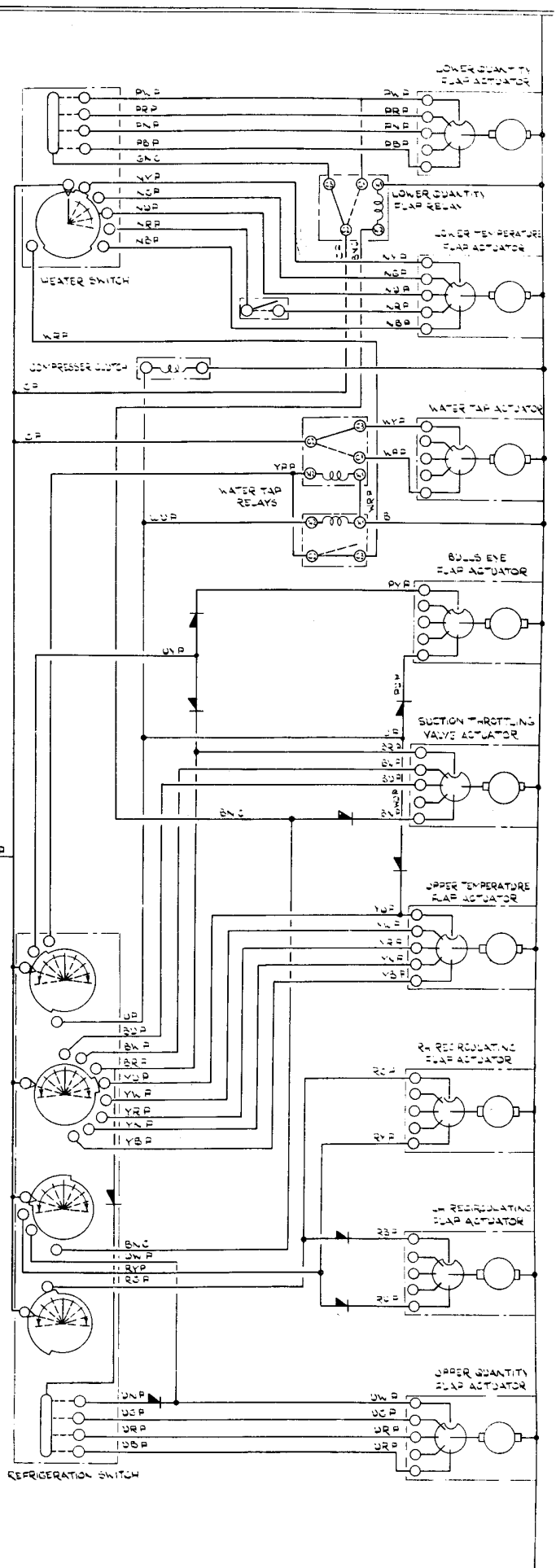
PANEL LAMPS

JMORS SPEED CONTROL (IF FITTED)

AIR CONDITIONING UNIT SYSTEM



RADIO AND TAPE PLAYER - BOTH STEREO



THEORETICAL WIRING DIAGRAM

Sheet 8

For
Rolls-Royce Corniche Convertible
and
Bentley Corniche Convertible

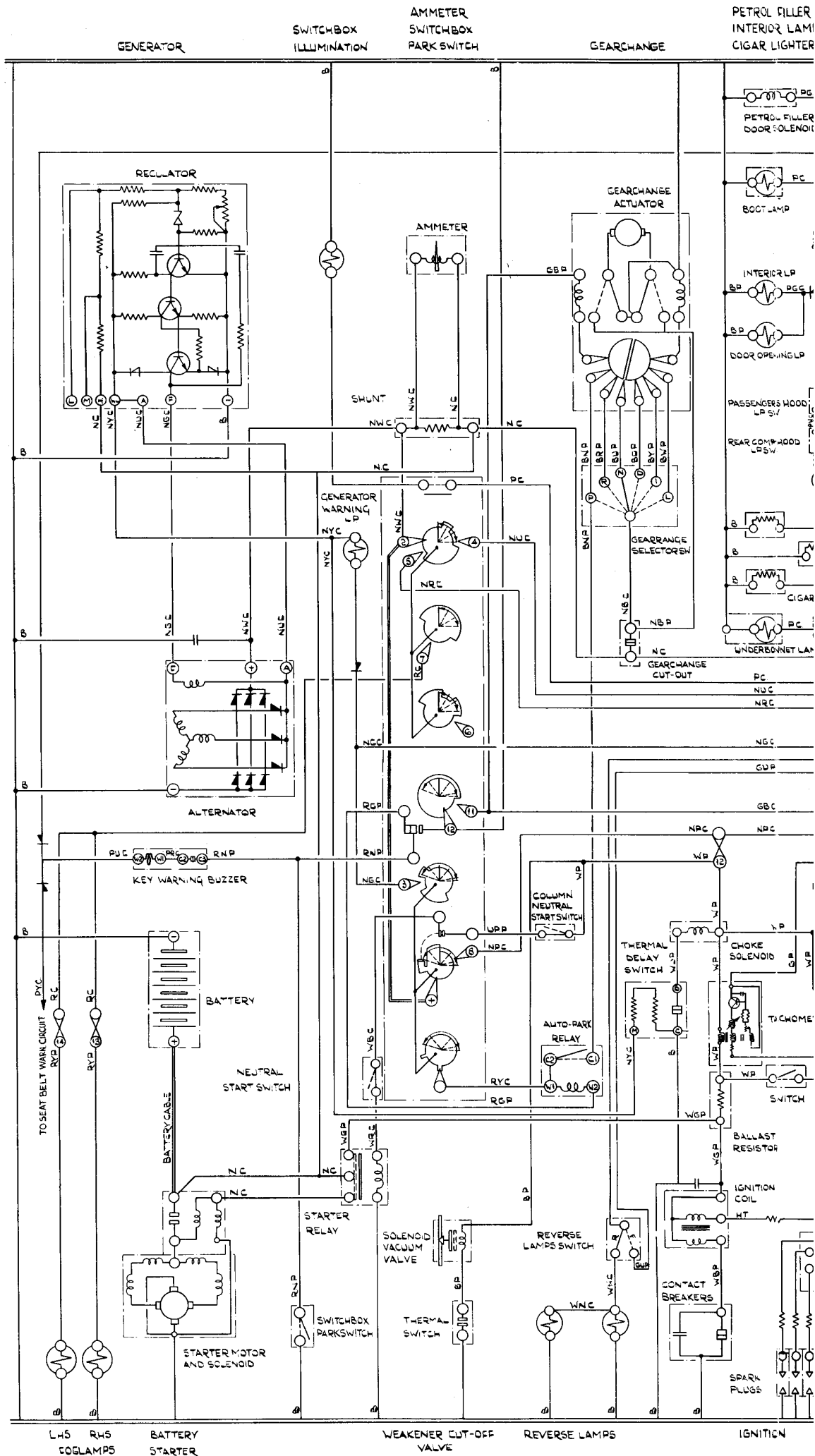
**LEFT-HAND DRIVE CARS FOR USA AND
CANADA FROM CAR SERIAL NUMBER
13413**

T.S.D. Publication 2964

"© Rolls-Royce Motors Limited 1973"

"This document is the property of Rolls-Royce Motors Limited and may not be copied or communicated to a third party or used for any purpose other than that for which it is supplied without the express written authority of Rolls-Royce Motors Limited."

"Whilst the information in this document given in good faith based upon the latest knowledge available to Rolls-Royce Motors Limited, Rolls-Royce Motors Limited gives no warranty or representation concerning such information, and such information must not be taken as establishing any contractual or other commitment on the part of Rolls-Royce Motors Limited."



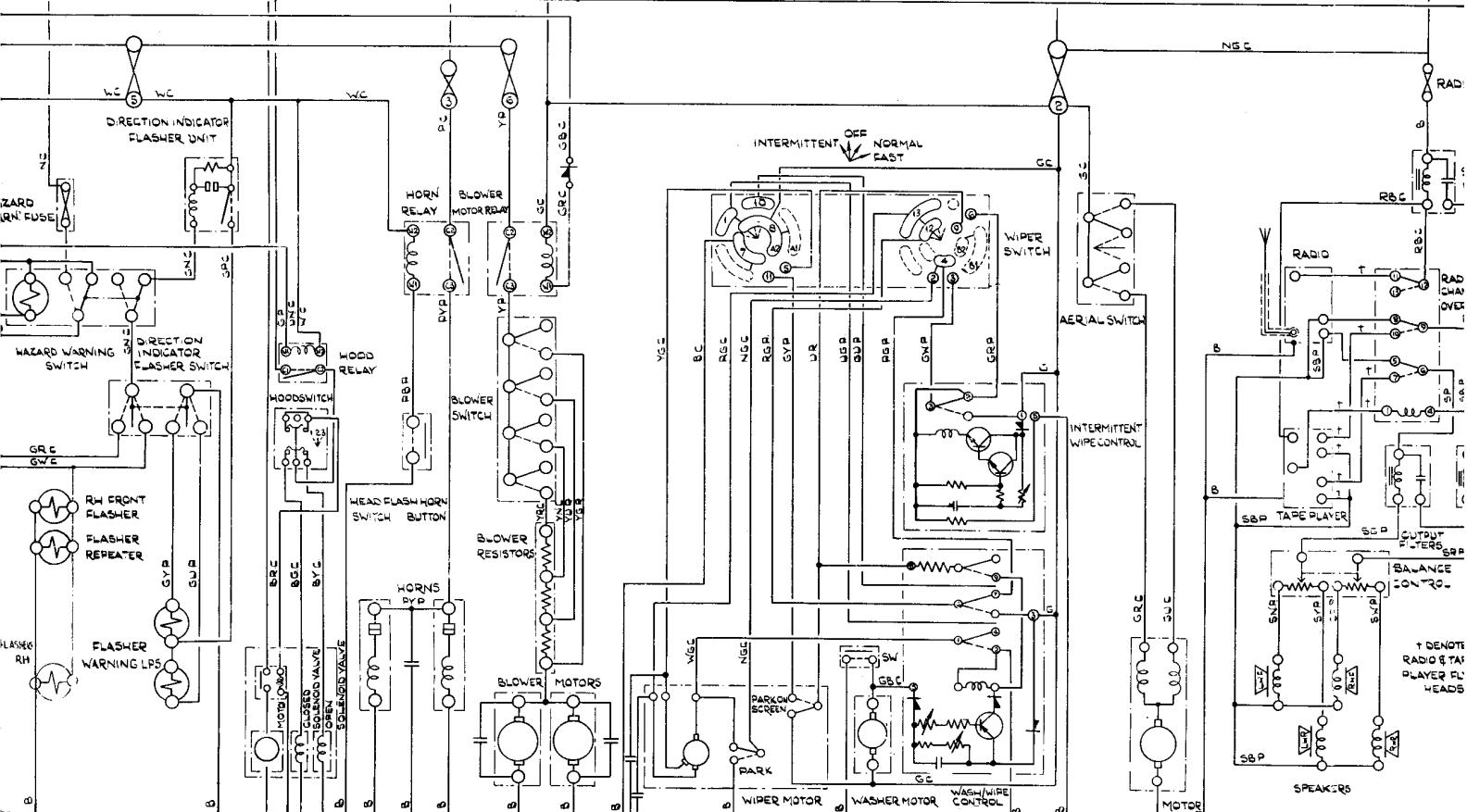
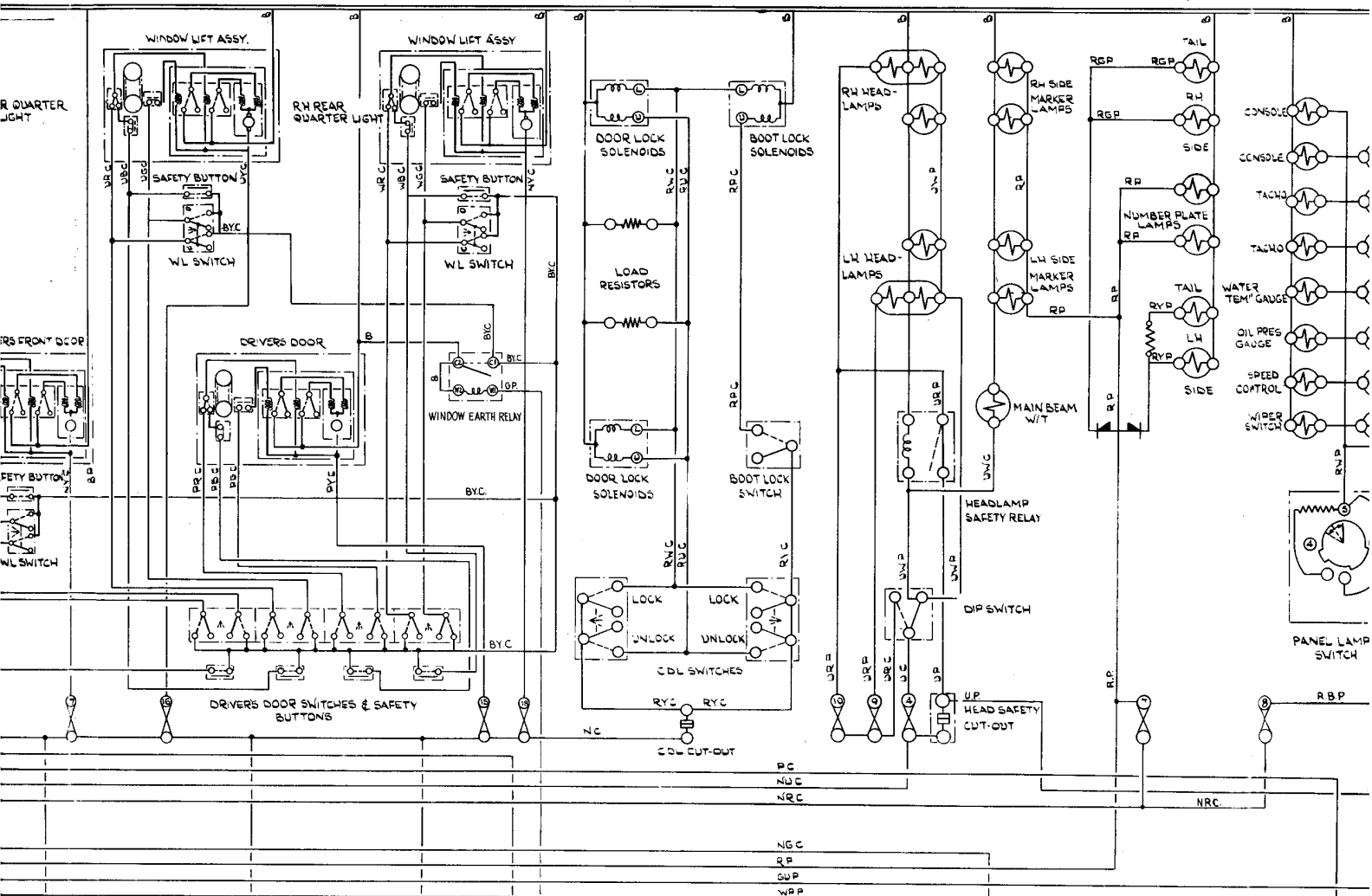
ELECTRIC WINDOW LIFTS

CENTRALISED DOOR & BOOT LID LOCKING

HEADLAMPS

SIDELAMPS

PANEL LA



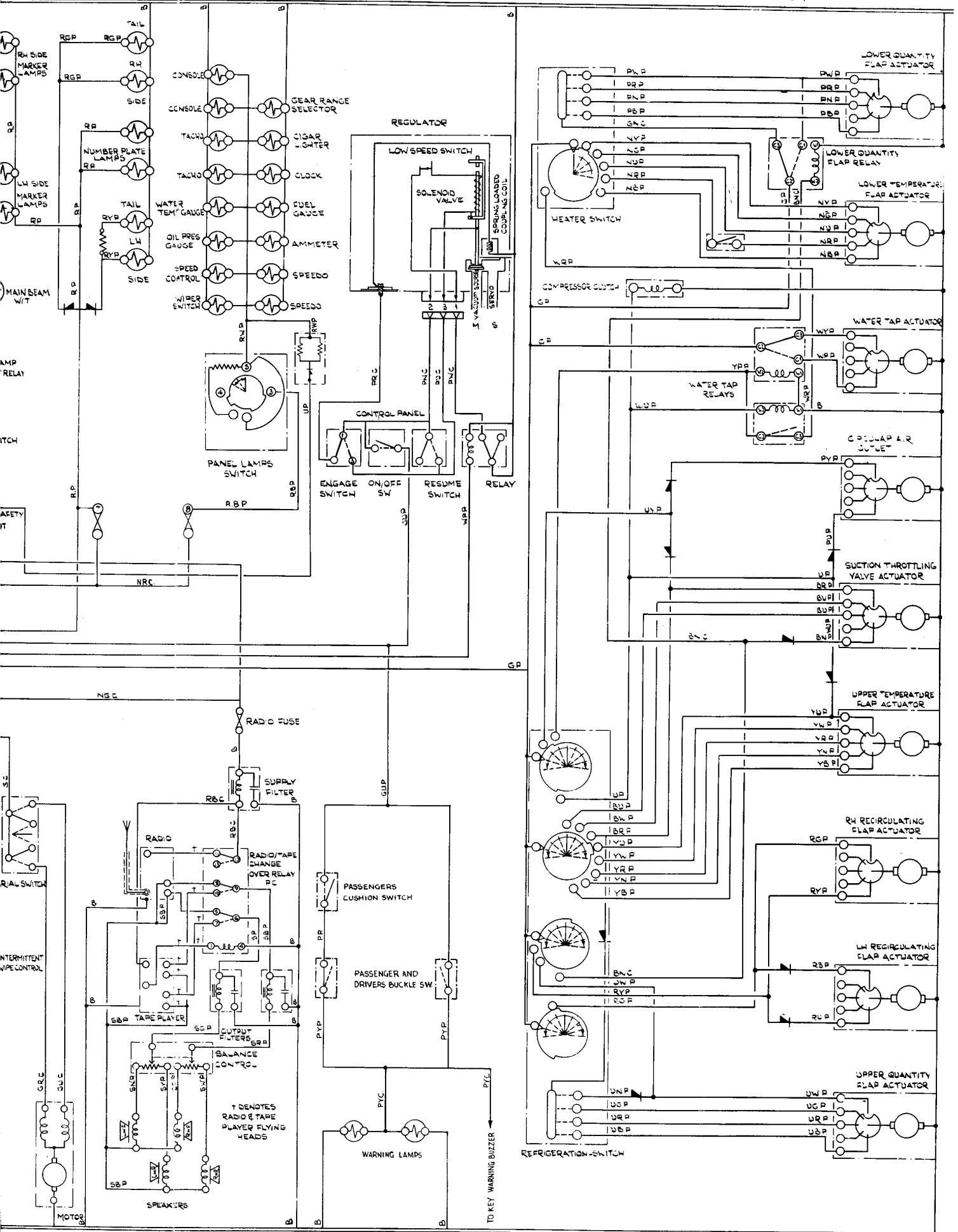
HAZARD WARNING HOOD HORNS BLOWERS WINDSCREEN WIPER (INCLUDING INTERMITTENT OPERATION) AND WASHER AERIAL RADIO AND TAPE PLAYER - BOTH

SIDELAMPS

PANEL LAMPS

JMORS SPEED CONTROL (IF FITTED)

AIR CONDITIONING UNIT SYSTEM



AERIAL RADIO AND TAPE PLAYER - BOTH STEREO SEATBELT WARNING

THEORETICAL WIRING DIAGRAM

Sheet 9

**For
Rolls-Royce Corniche Convertible
and
Bentley Corniche Convertible**

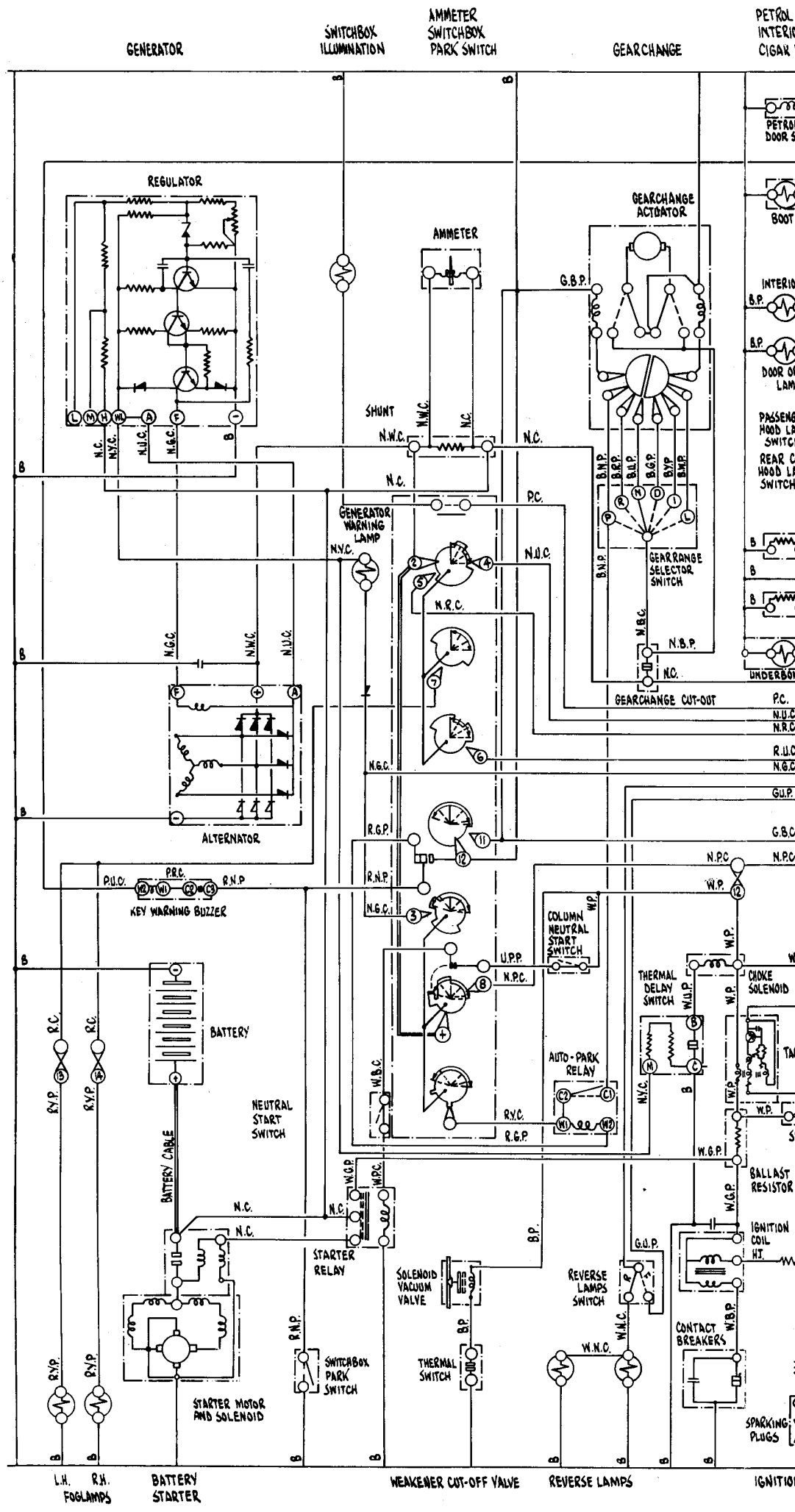
**RIGHT-HAND DRIVE CARS FROM CAR
SERIAL NUMBER 13861**

T.S.D. Publication 2972

"© Rolls-Royce Motors Limited 1973"

"This document is the property of Rolls-Royce Motors Limited and may not be copied or communicated to a third party or used for any purpose other than that for which it is supplied without the express written authority of Rolls-Royce Motors Limited."

"Whilst the information in this document given in good faith based upon the latest knowledge available to Rolls-Royce Motors Limited, Rolls-Royce Motors Limited gives no warranty or representation concerning such information, and such information must not be taken as establishing any contractual or other commitment on the part of Rolls-Royce Motors Limited."

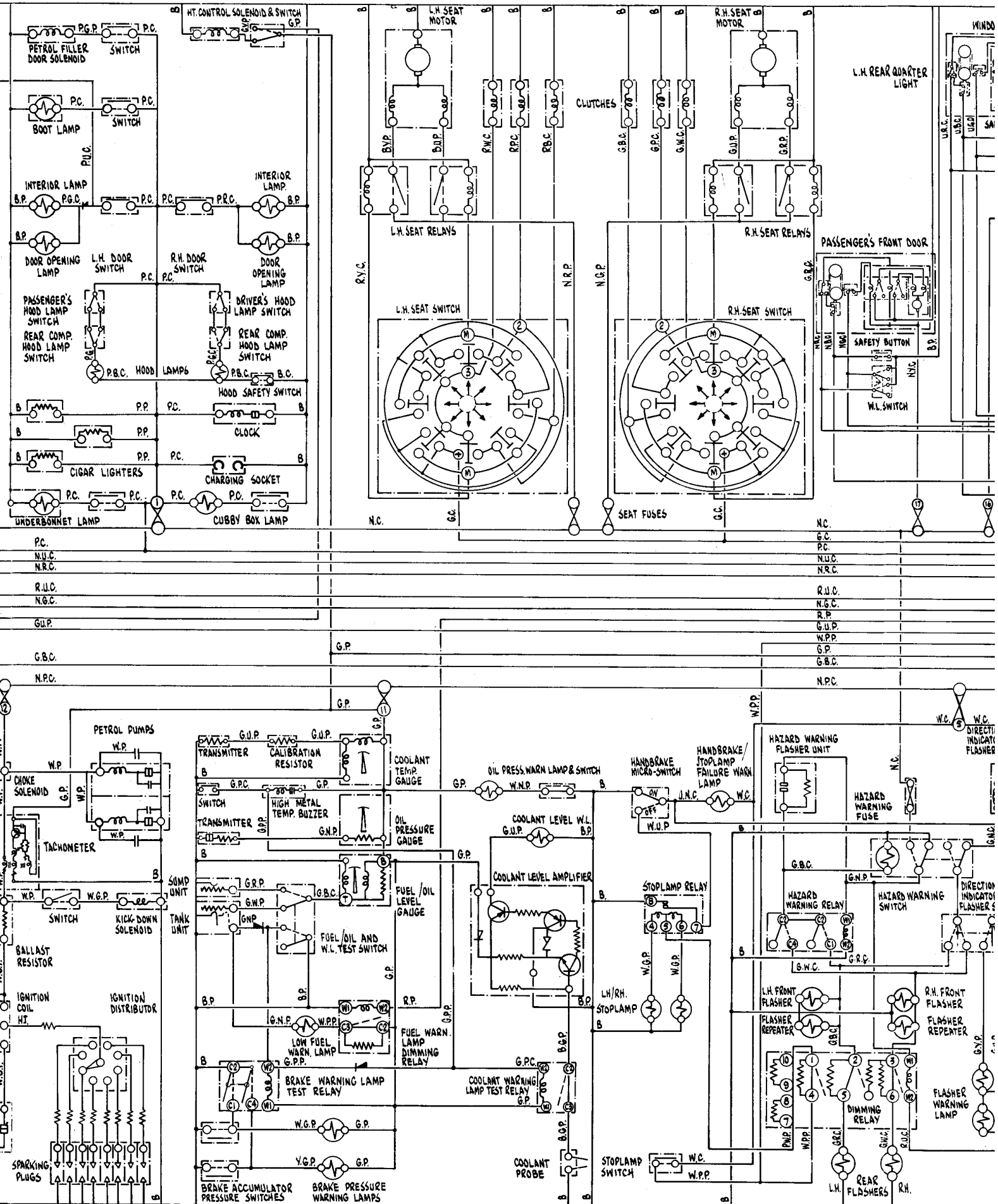


PETROL FILLER DOOR
INTERIOR LAMPS
CIGAR LIGHTERS

HEIGHT CONTROL
CLOCK
CHARGING SOCKET

ELECTRICALLY OPERATED SEATS

ELECTRIC



STOPLAMPS, WARNING LAMPS, FUEL-OIL PRESSURE-WATER TEMPERATURE
GAUGES, HIGH METAL TEMPERATURE BUZZER, COOLANT PROBE

DIRECTION INDICATORS, HAZARD WARNING

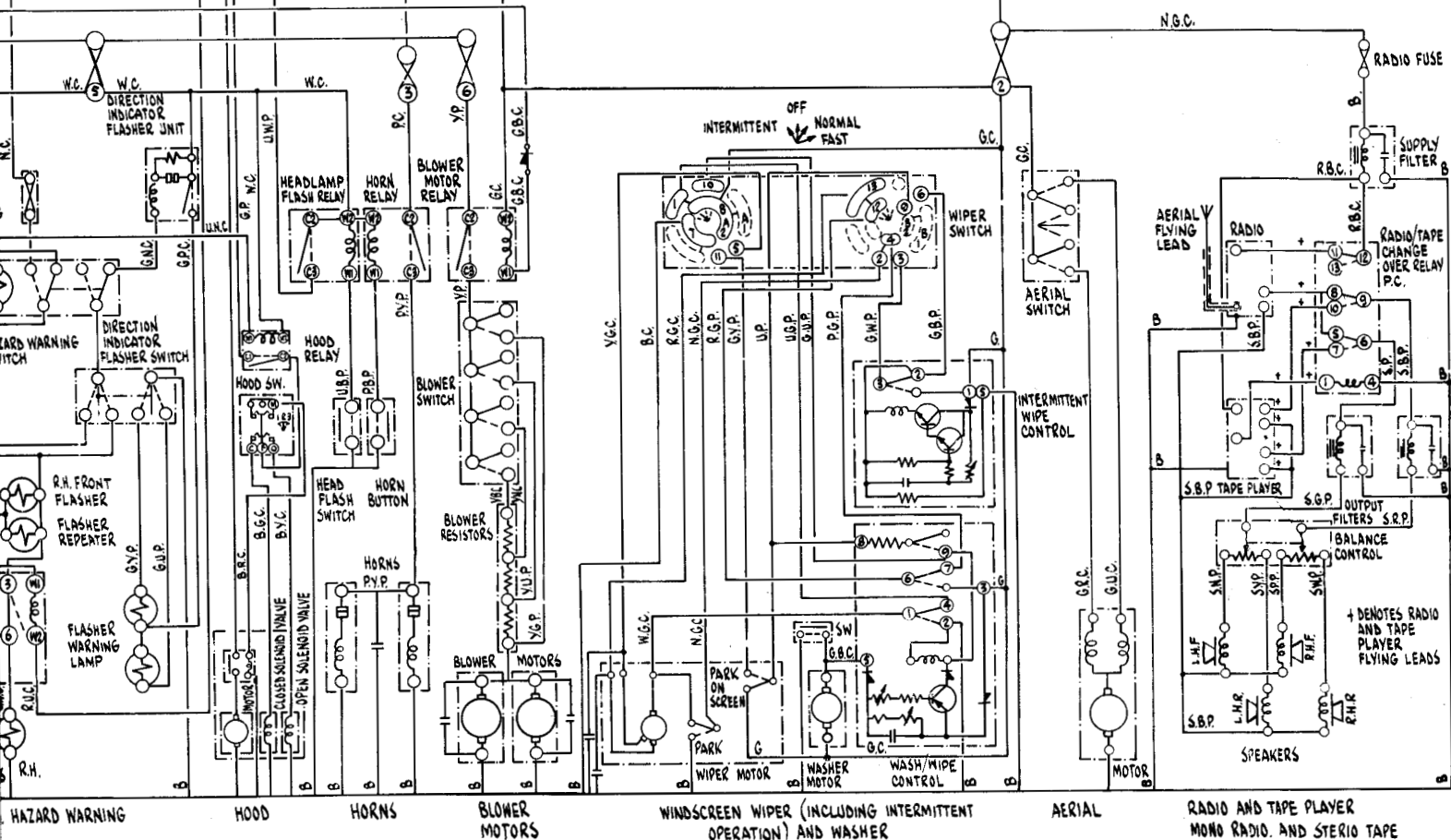
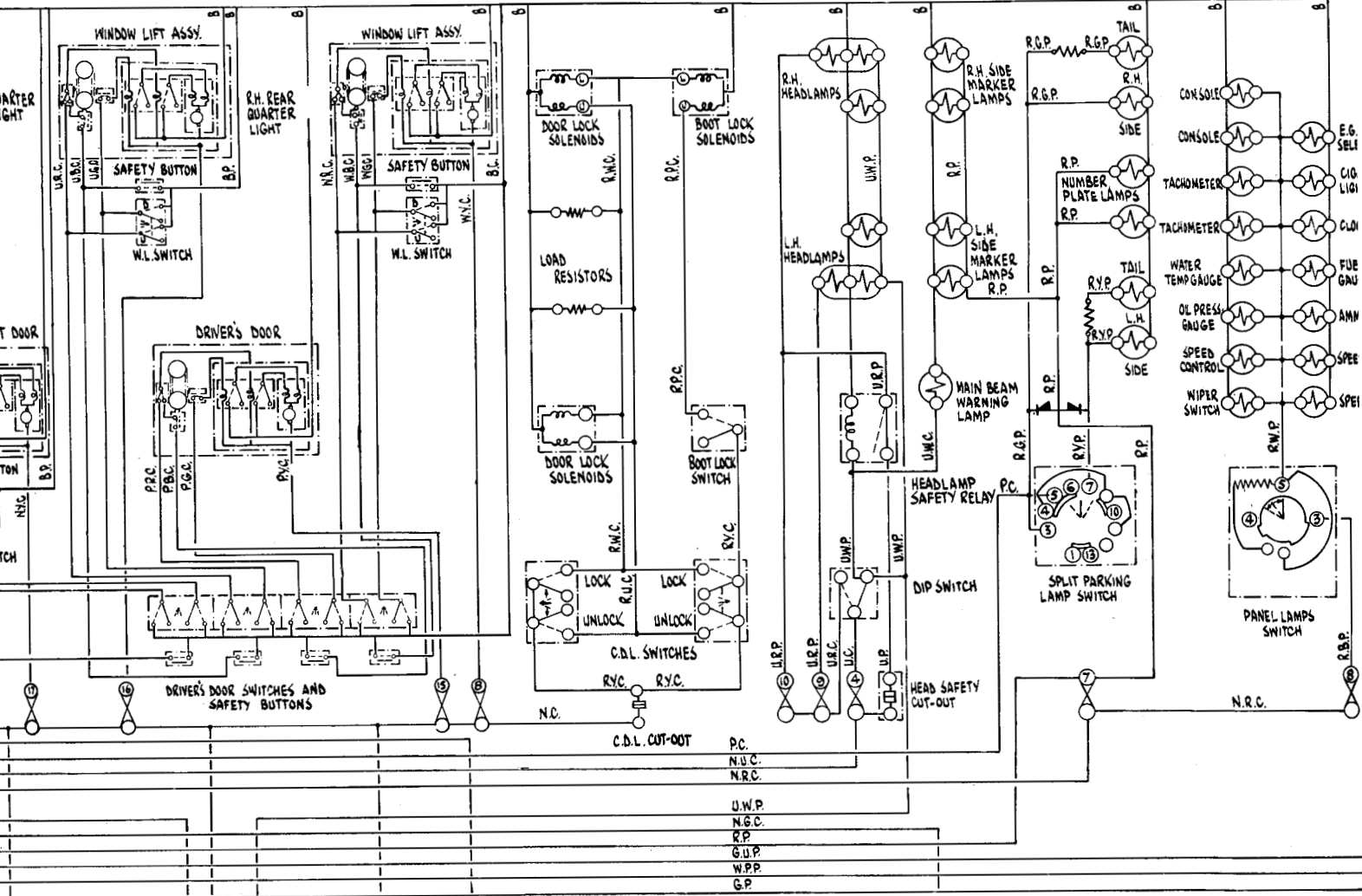
ELECTRIC WINDOW LIFTS

CENTRALISED DOOR & BOOT LID LOCKING

HEADLAMPS

SIDELAMPS

PANEL LAMPS



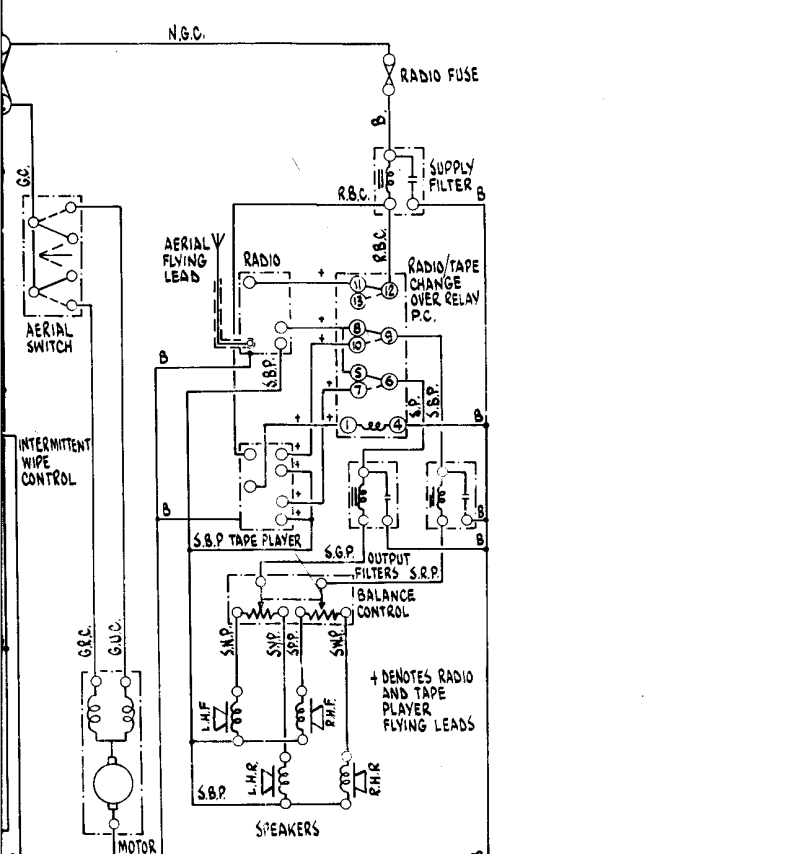
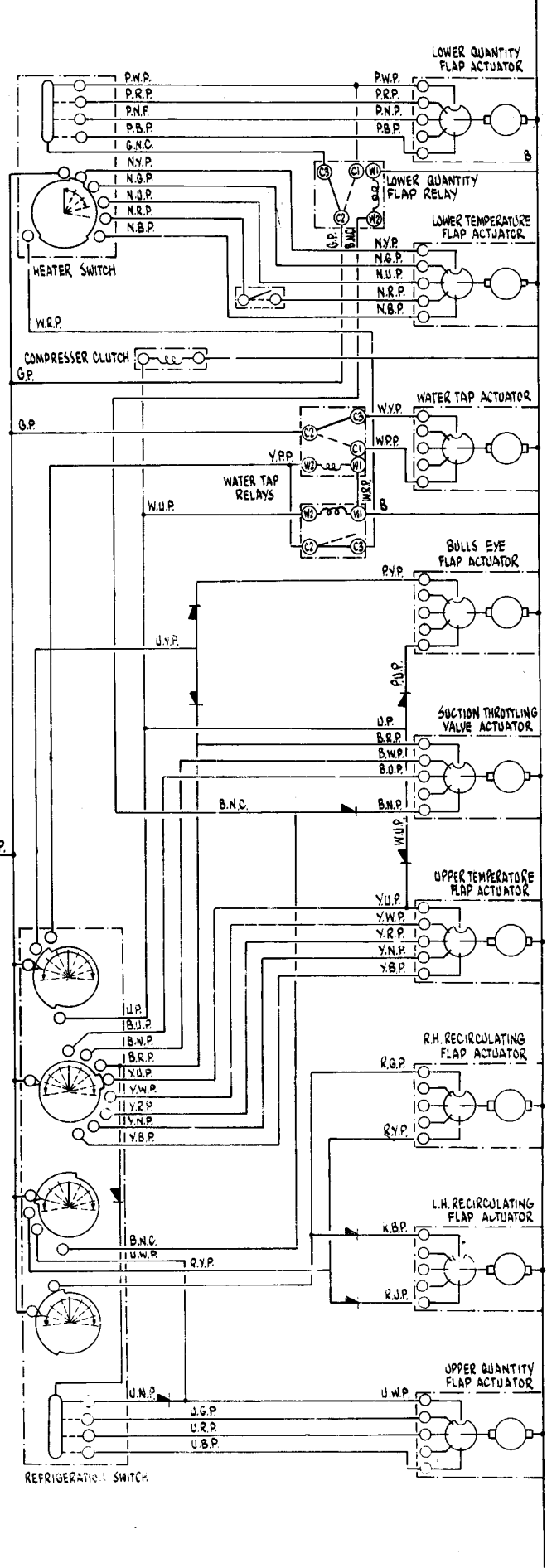
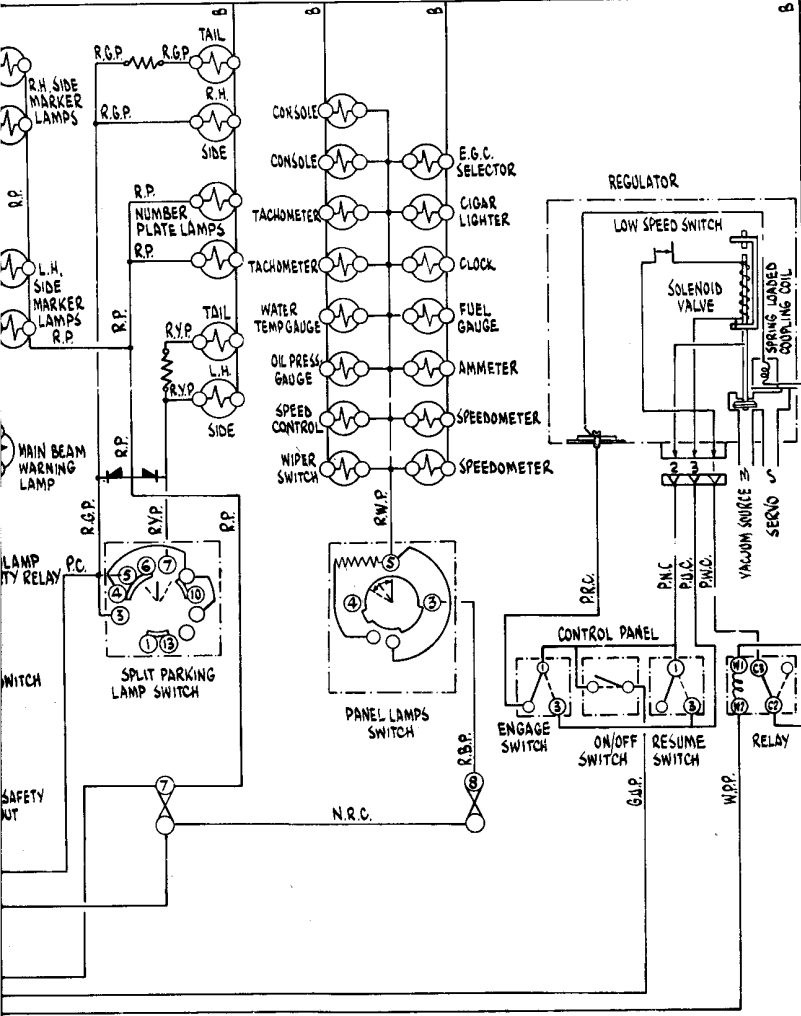
HAZARD WARNING HOOD HORNS BLOWER MOTORS WINDSCREEN WIPER (INCLUDING INTERMITTENT OPERATION) AND WASHER AERIAL RADIO AND TAPE PLAYER MONO RADIO AND STEREO TAPE

SIDLAMPS

PANEL LAMPS

JMORS SPEED CONTROL

AIR CONDITIONING UNIT SYSTEM



AERIAL RADIO AND TAPE PLAYER
MONO RADIO AND STEREO TAPE

THEORETICAL WIRING DIAGRAM

Sheet 10

For
Rolls-Royce Silver Shadow
and
Bentley T Series

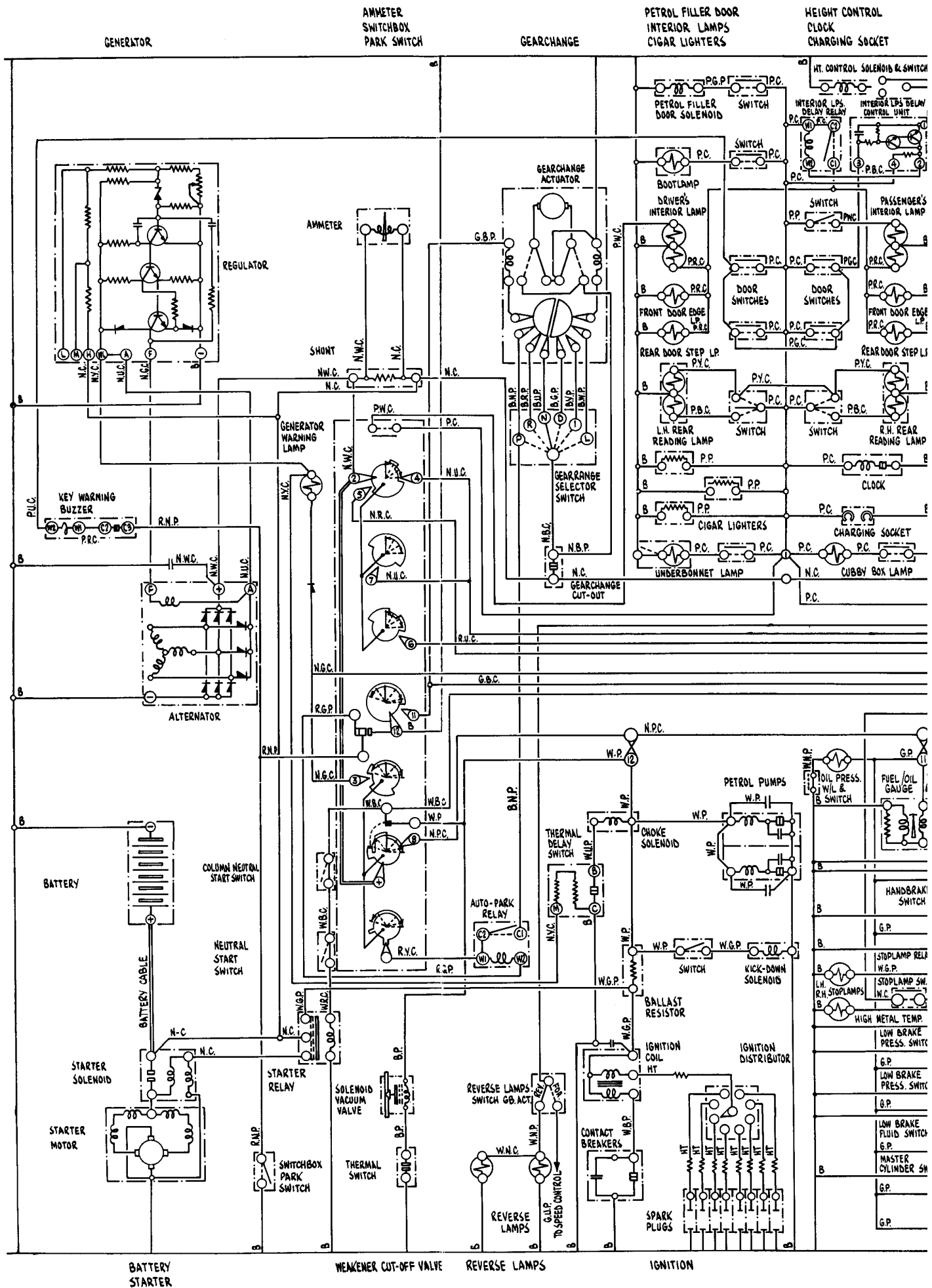
**LEFT-HAND DRIVE SALOON AND LONG
WHEEL BASE NON-DIVISION CARS FOR
COUNTRIES OTHER THAN USA AND
CANADA FROM CAR SERIAL NUMBER
13754**

T.S.D. Publication 2969

"© Rolls-Royce Motors Limited 1973"

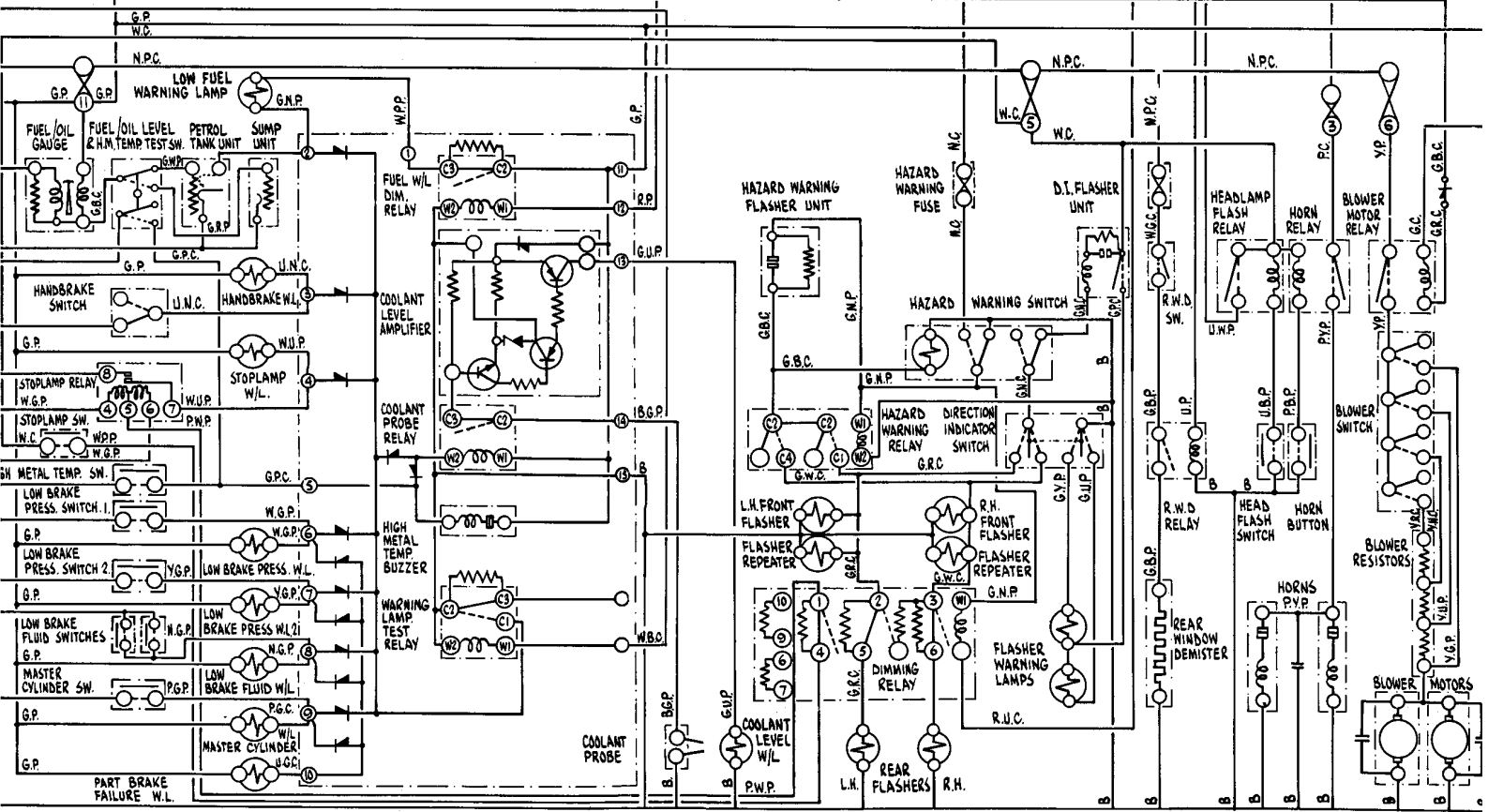
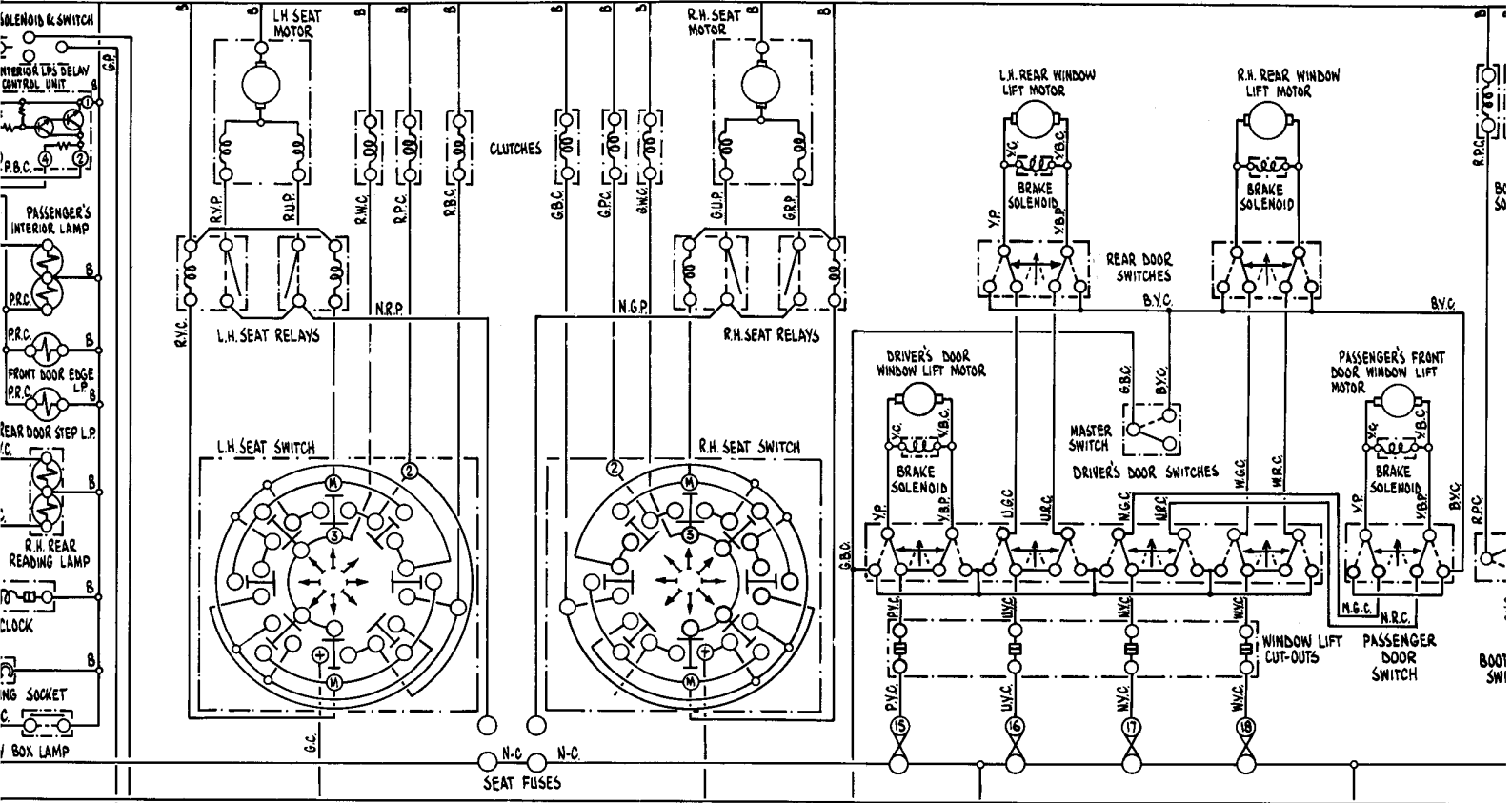
"This document is the property of Rolls-Royce Motors Limited and may not be copied or communicated to a third party or used for any purpose other than that for which it is supplied without the express written authority of Rolls-Royce Motors Limited."

"Whilst the information in this document given in good faith based upon the latest knowledge available to Rolls-Royce Motors Limited. Rolls-Royce Motors Limited gives no warranty or representation concerning such information, and such information must not be taken as establishing any contractual or other commitment on the part of Rolls-Royce Motors Limited."



ELECTRICALLY OPERATED SEATS

ELECTRIC WINDOW LIFTS WITH P.M. MOTORS



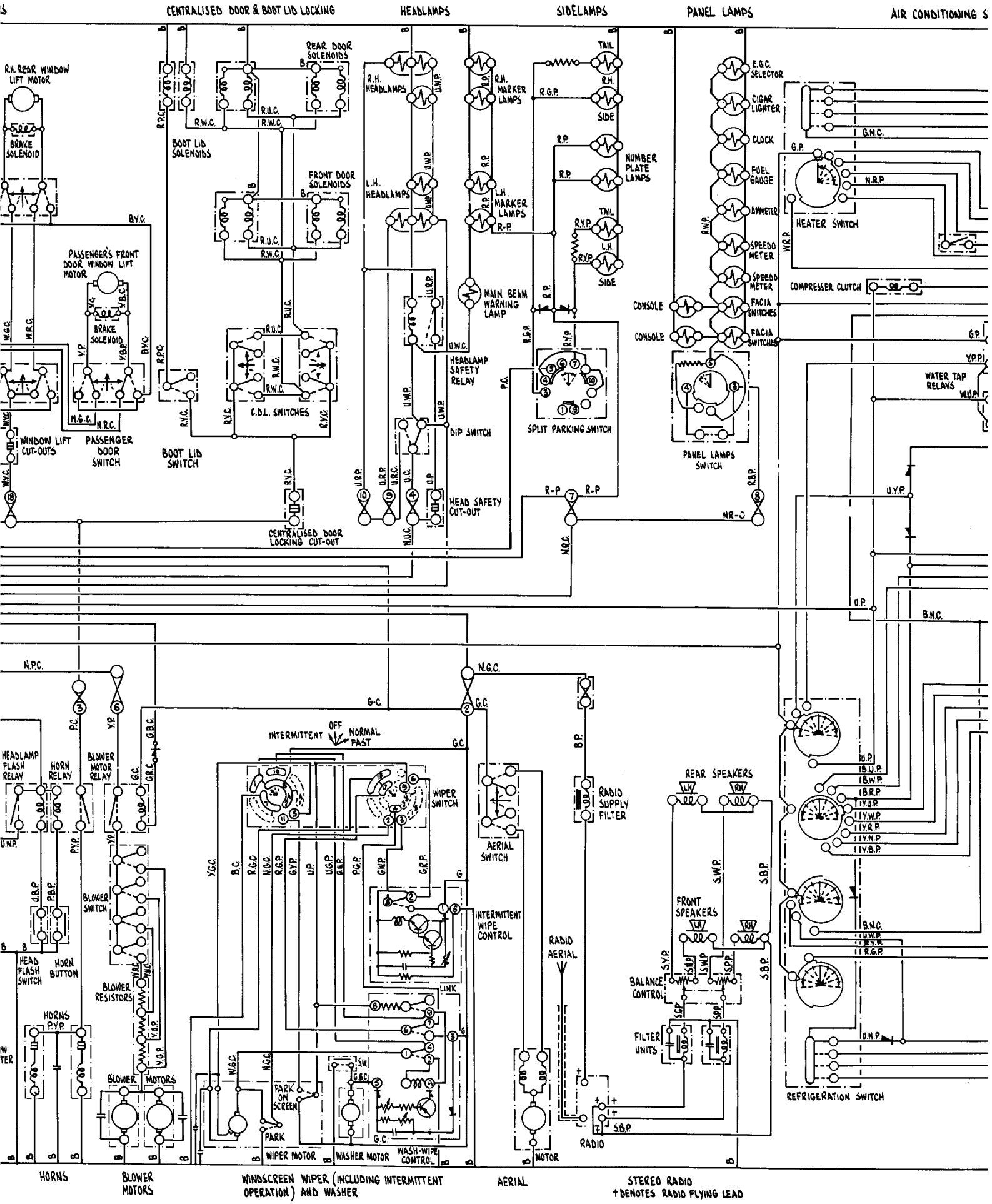
STOPLAMPS, WARNING LAMPS, FUEL GAUGE, HIGH METAL TEMPERATURE BUZZER, COOLANT PROBE.

DIRECTION INDICATORS, HAZARD WARNING

REAR WINDOW DEMISTER

HORNS

BLOWER MOTORS



THEORETICAL WIRING DIAGRAM

Sheet 11

For
Rolls-Royce Silver Shadow
and
Bentley T Series

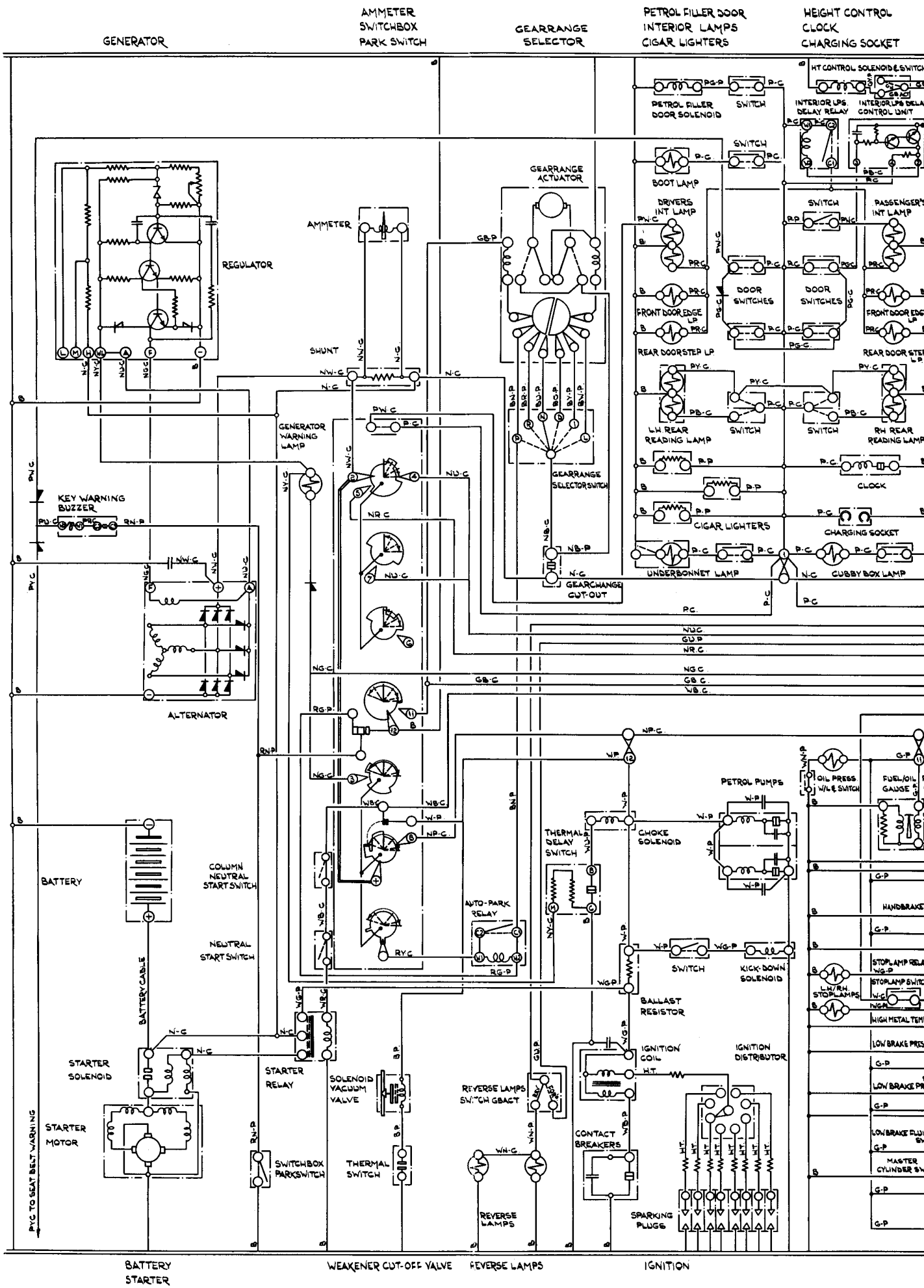
**SALOON AND LONG WHEEL BASE
DIVISION CARS FOR USA AND CANADA
FROM CAR SERIAL NUMBER 13754**

T.S.D. Publication 2968

"© Rolls-Royce Motors Limited 1973"

"This document is the property of Rolls-Royce Motors Limited and may not be copied or communicated to a third party or used for any purpose other than that for which it is supplied without the express written authority of Rolls-Royce Motors Limited."

"Whilst the information in this document given in good faith based upon the latest knowledge available to Rolls-Royce Motors Limited, Rolls-Royce Motors Limited gives no warranty or representation concerning such information, and such information must not be taken as establishing any contractual or other commitment on the part of Rolls-Royce Motors Limited."

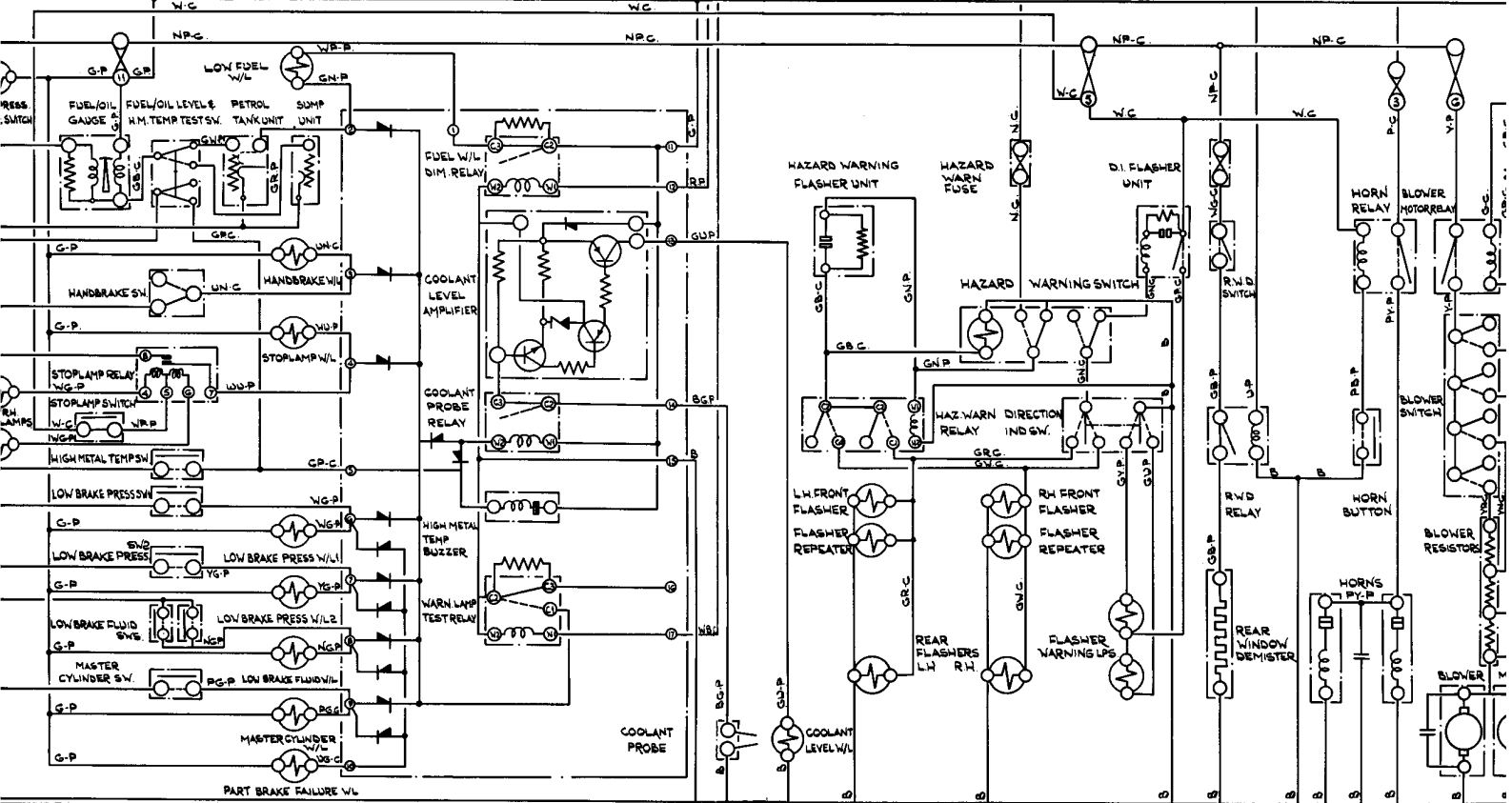
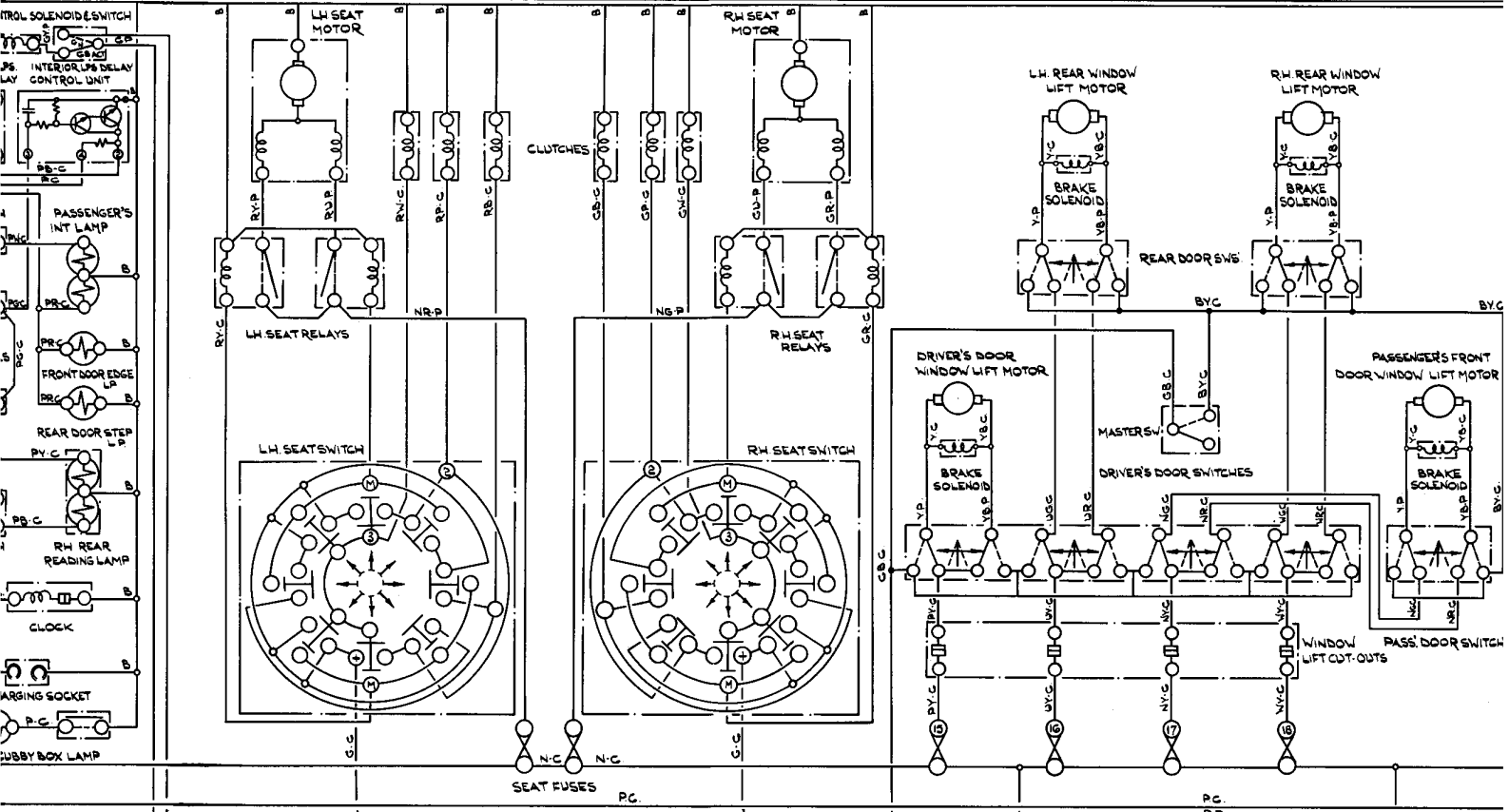


T CONTROL

ING SOCKET

ELECTRICALLY OPERATED SEATS

ELECTRIC WINDOW LIFTS WITH P.M. MOTORS



STOPLAMPS WARNING LAMPS FUEL GAUGE
HIGH METAL TEMPERATURE BUZZER COOLANT PROBE

DIRECTION INDICATORS HAZARD WARNING

REAR WINDOW
DEMISTER

HORNS

BLOWER

MOTORS

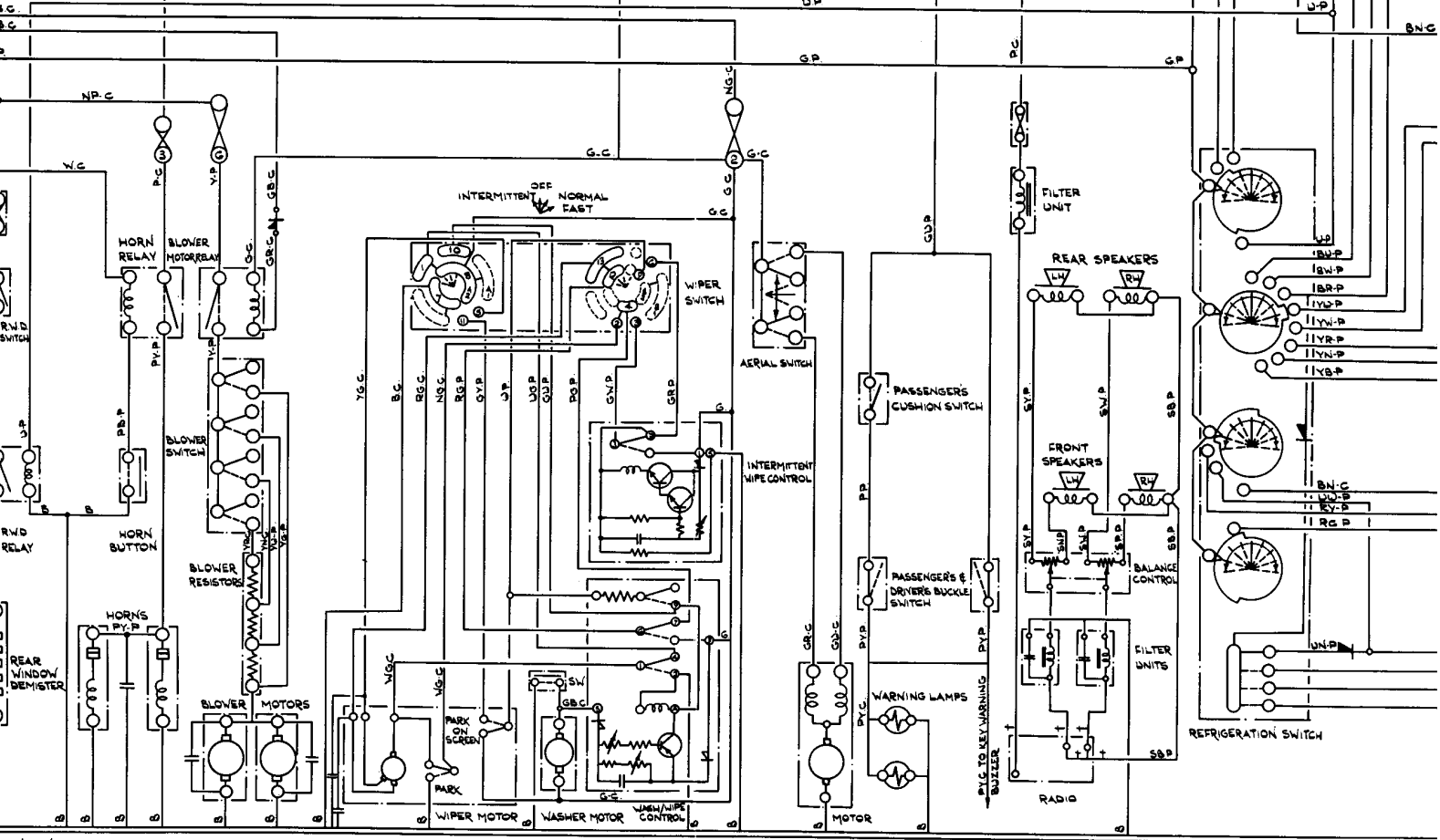
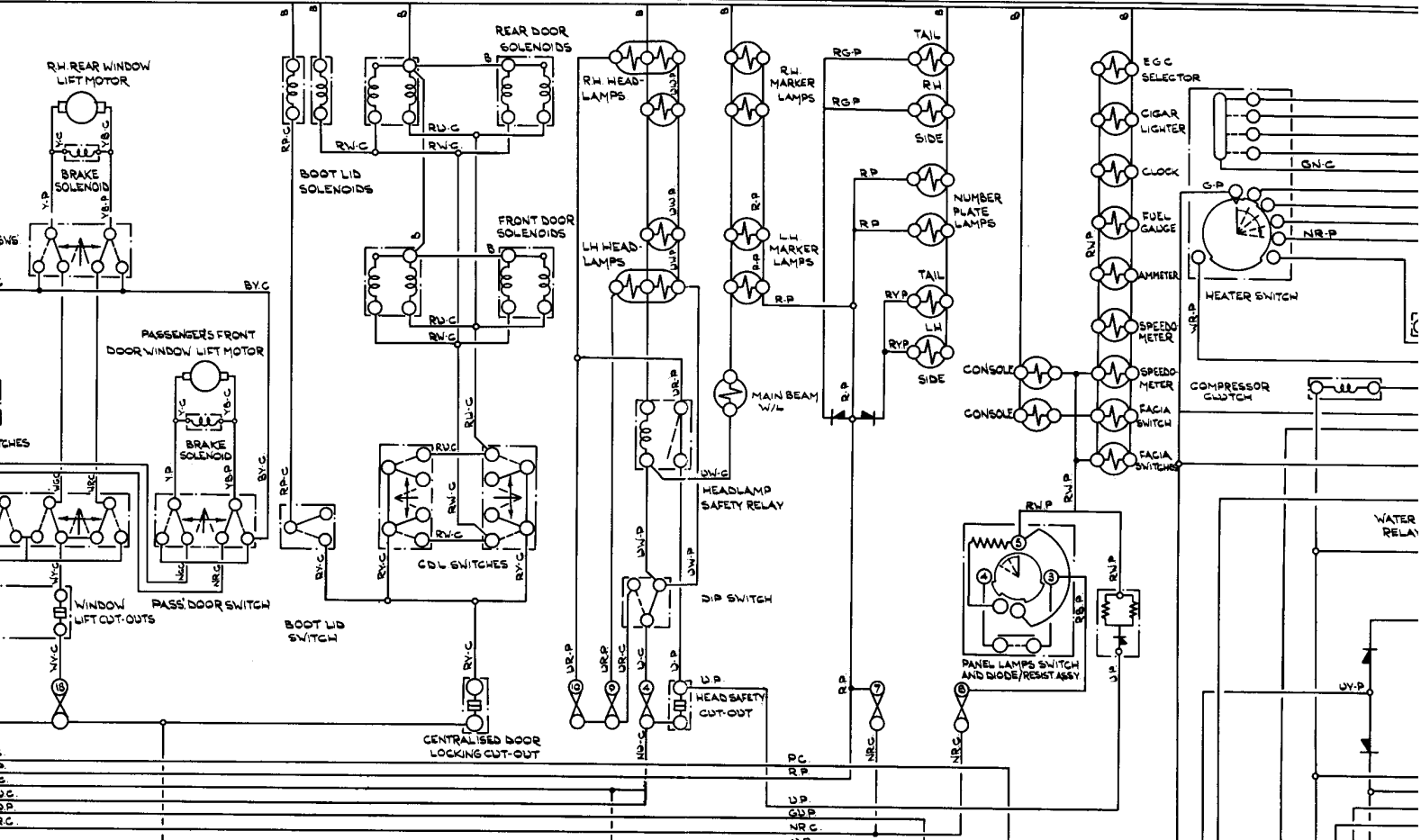
CENTRALISED DOOR & BOOT LID LOCKING

HEADLAMPS

SIDELAMPS

PANEL LAMPS

AIR CONDITIONING



WINDSCREEN WIPER (INCLUDING INTERMITTENT OPERATION) AND WASHER AERIAL SEAT BELT WARNING STEREO RADIO
 † DENOTES RADIO FLYING LEAD

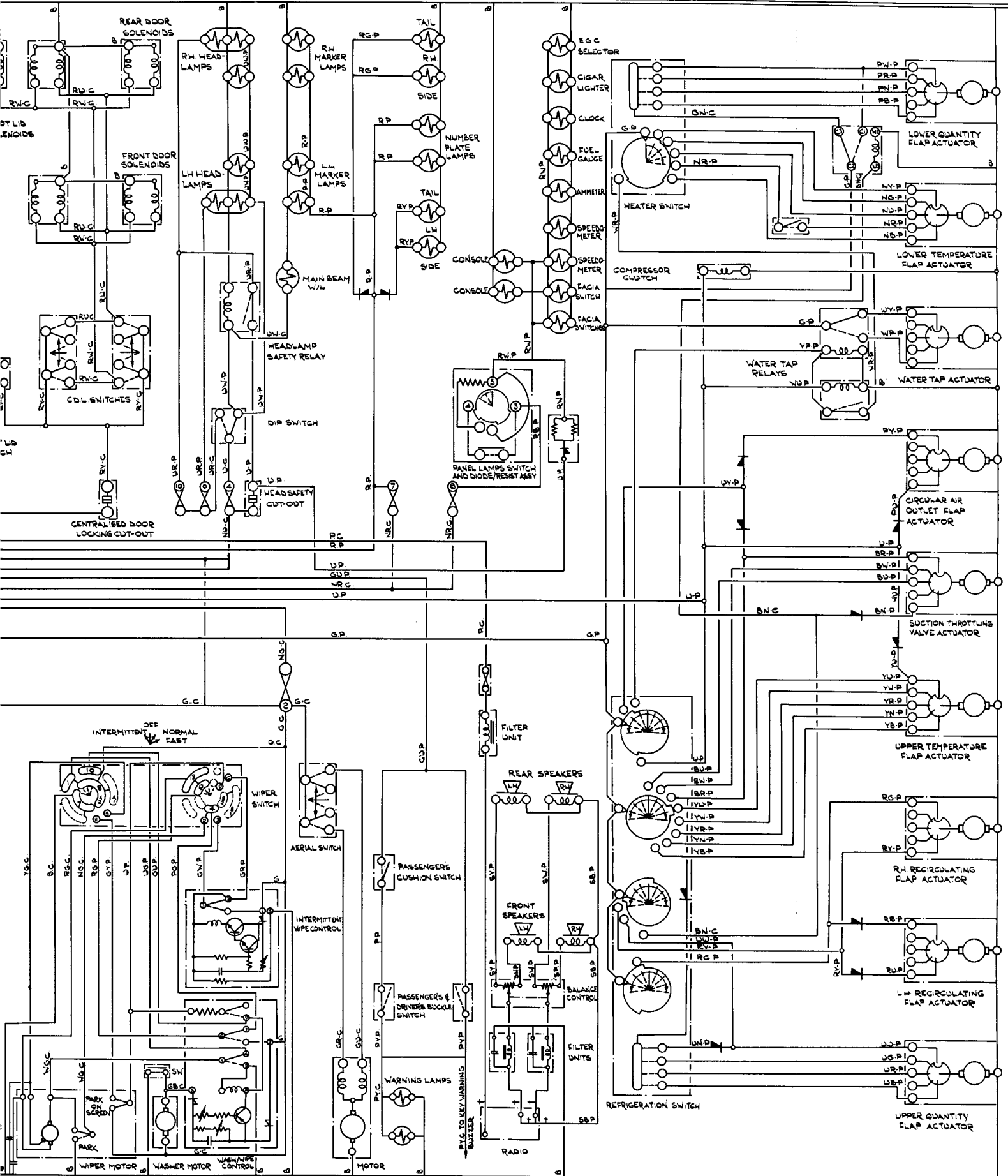
ALYSED DOOR & BOOT LID LOCKING

HEADLAMPS

SIDELAMPS

PANEL LAMPS

AIR CONDITIONING UNIT SYSTEM



† DENOTES RADIO FLYING LEAD

THEORETICAL WIRING DIAGRAM

Sheet 12

For
Rolls-Royce Silver Shadow
and
Bentley T Series

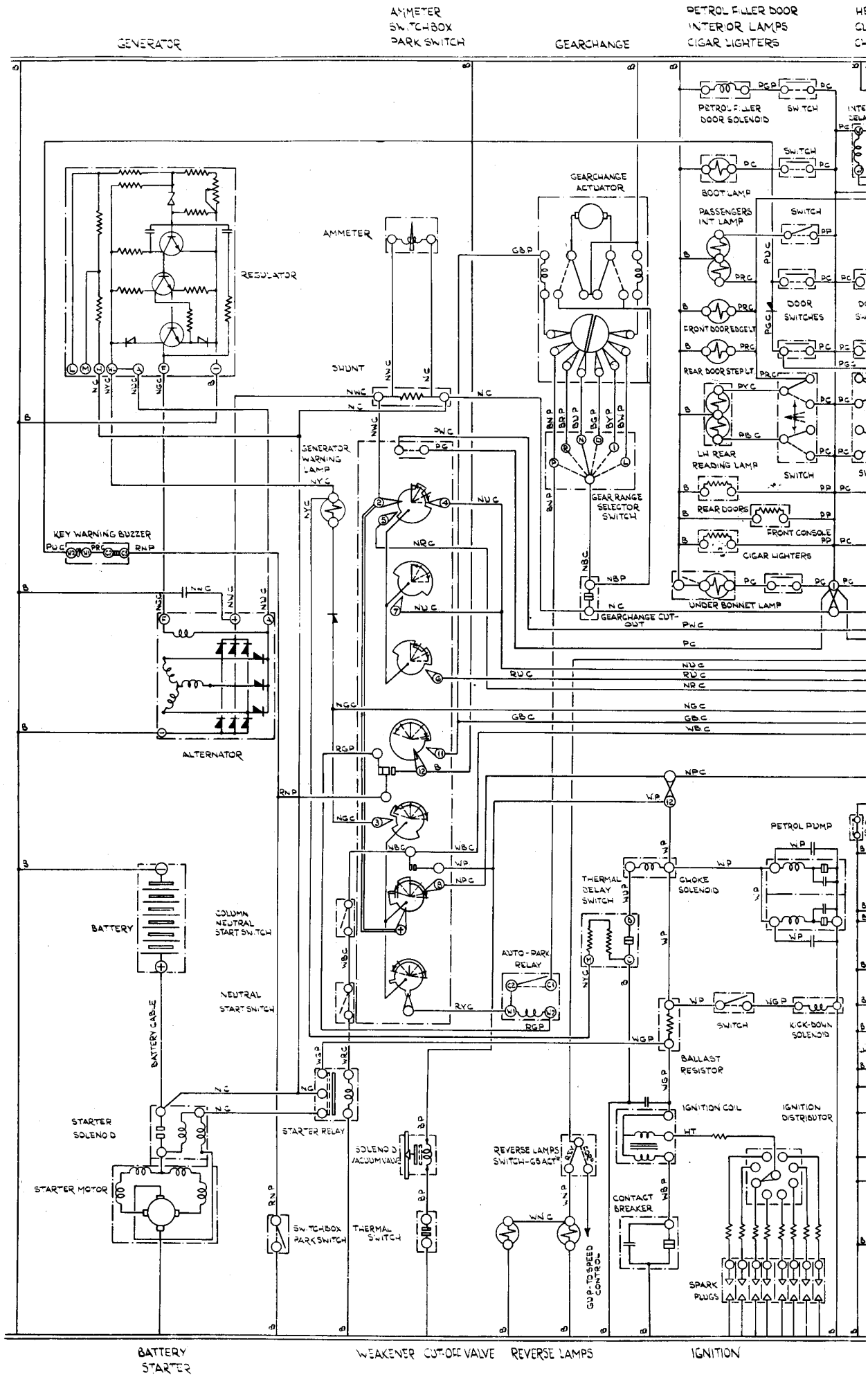
RIGHT-HAND DRIVE LONG WHEEL BASE DIVISION CARS FROM CAR SERIAL NUMBER 13754

T.S.D. Publication 2963

"© Rolls-Royce Motors Limited 1973"

"This document is the property of Rolls-Royce Motors Limited and may not be copied or communicated to a third party or used for any purpose other than that for which it is supplied without the express written authority of Rolls-Royce Motors Limited."

"Whilst the information in this document given in good faith based upon the latest knowledge available to Rolls-Royce Motors Limited. Rolls-Royce Motors Limited gives no warranty or representation concerning such information, and such information must not be taken as establishing any contractual or other commitment on the part of Rolls-Royce Motors Limited."

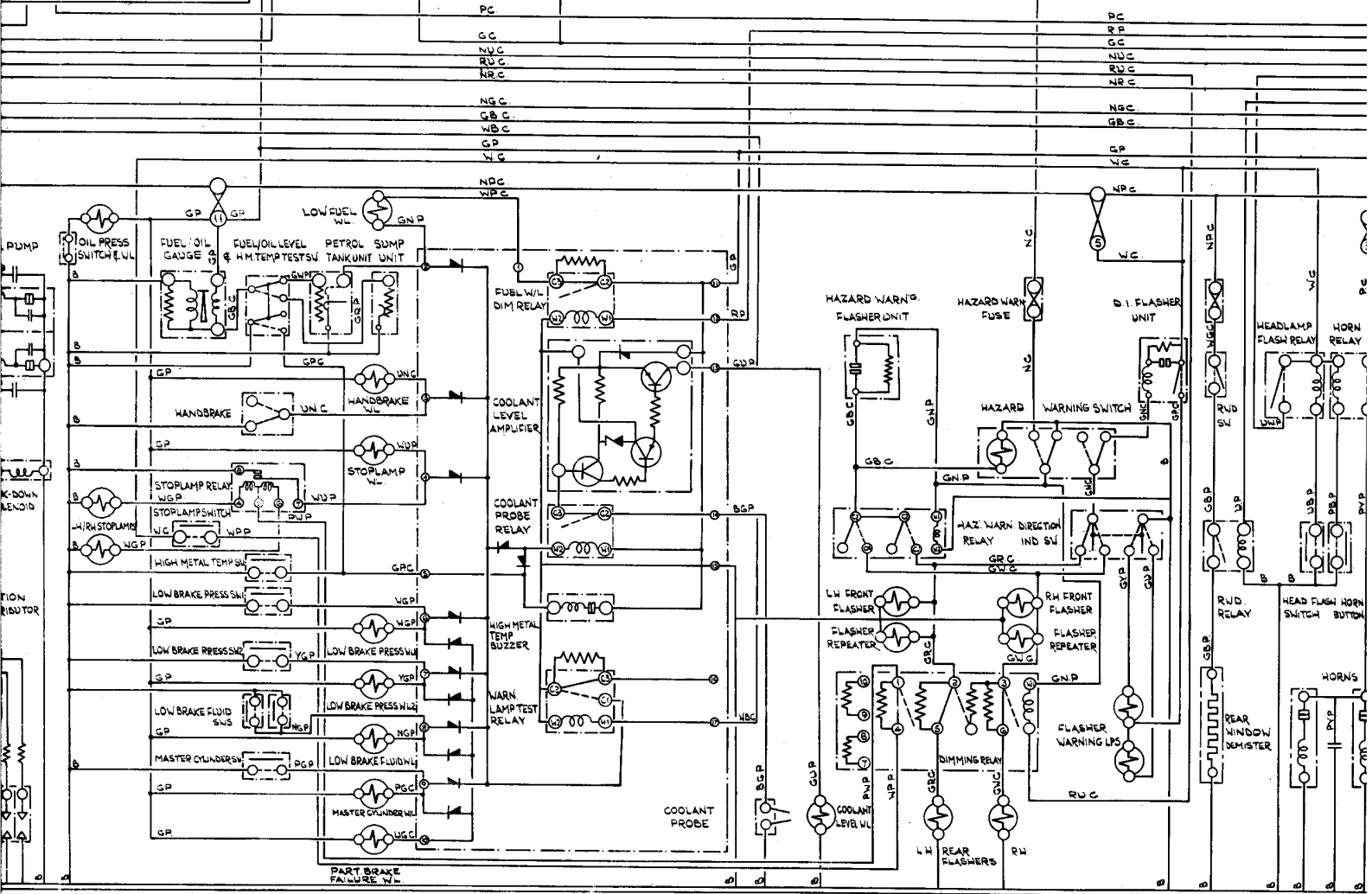
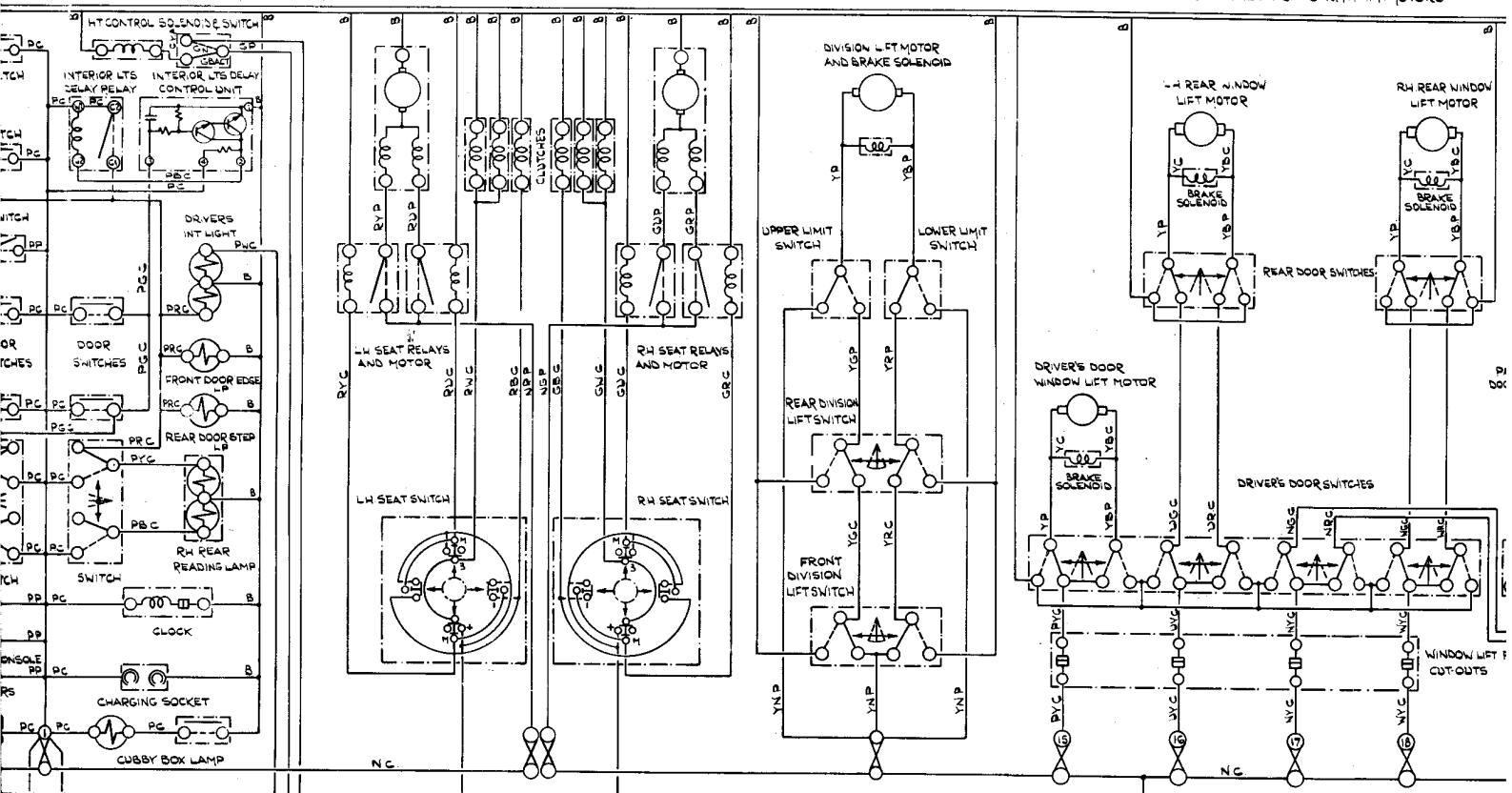


HEIGHT CONTROL
CLOCK
CHARGING SOCKET

ELECTRICALLY OPERATED SEATS

DIVISION LIFT

ELECTRIC WINDOW LIFTS WITH PM MOTORS



STOPLAMPS, WARNING LAMPS FUEL/OIL GAUGE, HIGH METAL TEMPERATURE BUZZER COOLANT PROBE

DIRECTION INDICATORS HAZARD WARNING

REAR WINDOW DEMISTER HORNS

WINDSHIELD WIPERS WITH PM MOTORS

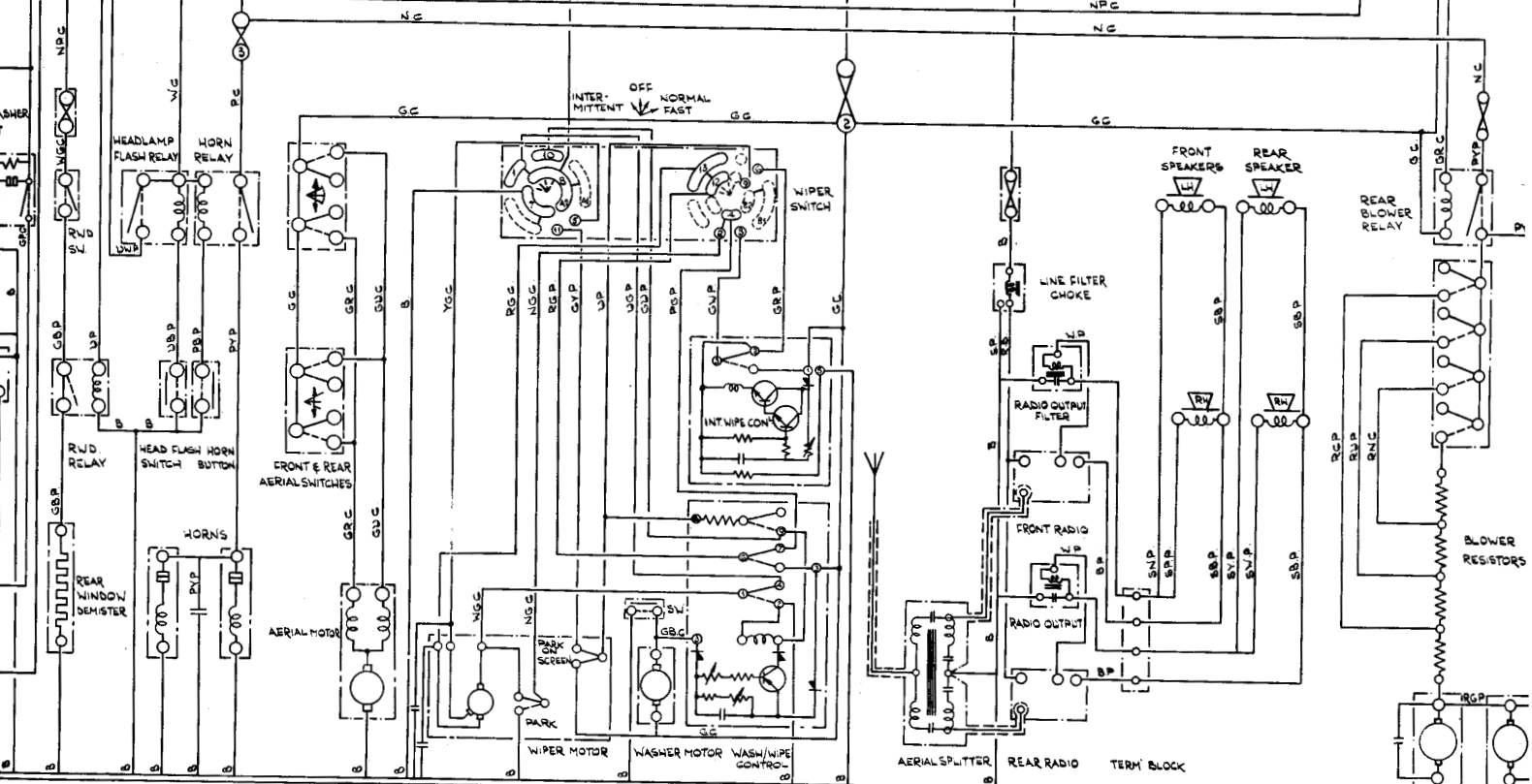
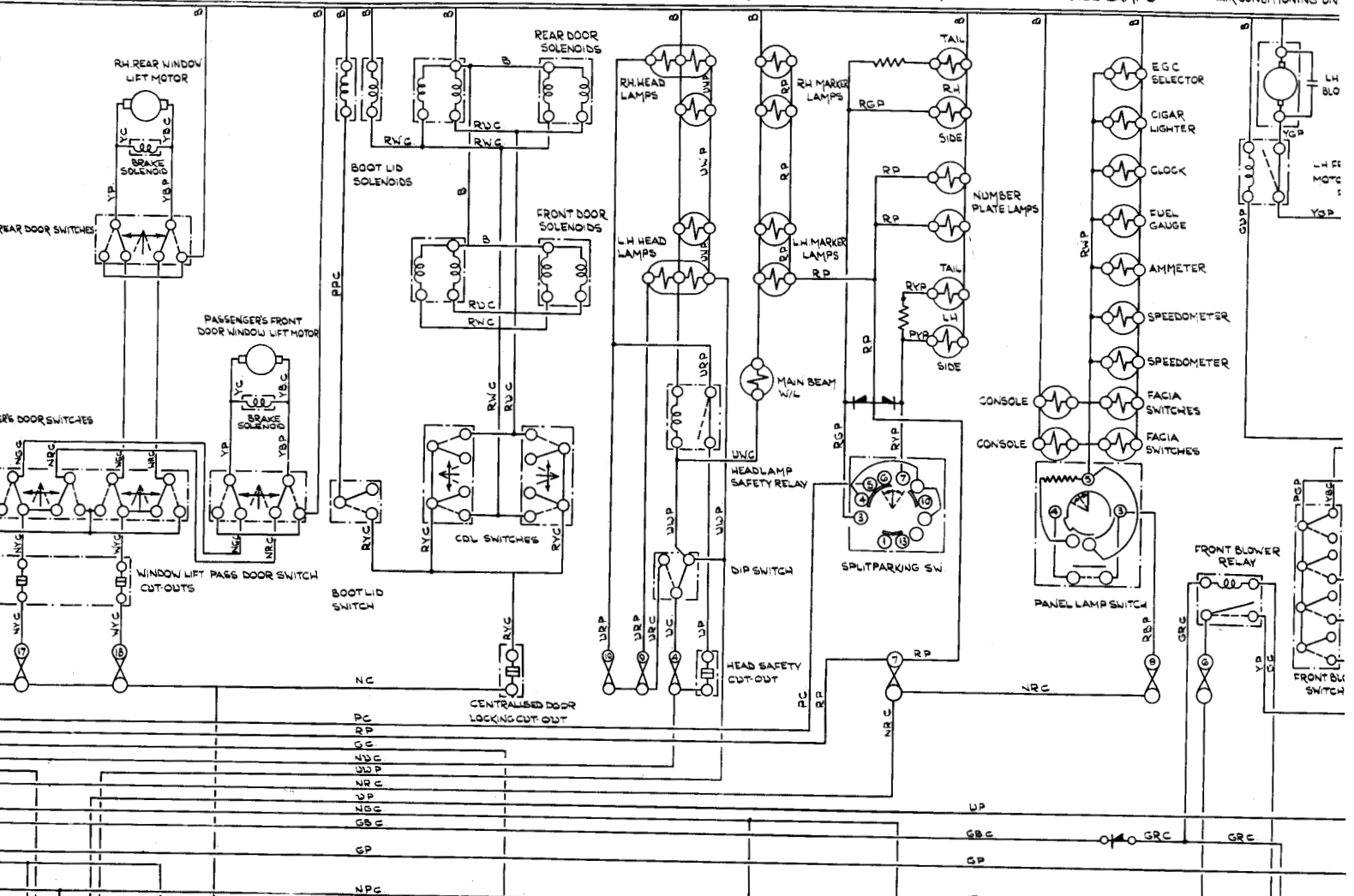
CENTRALISED DOOR AND BOOT LID LOCKING

HEADLAMPS

SIDELAMPS

PANEL LAMPS

AIR CONDITIONING UNIT



REAR WINDOW DEMISTER

WINDSCREEN WIPER (INCLUDING INTERMITTENT OPERATION) AND WASHER

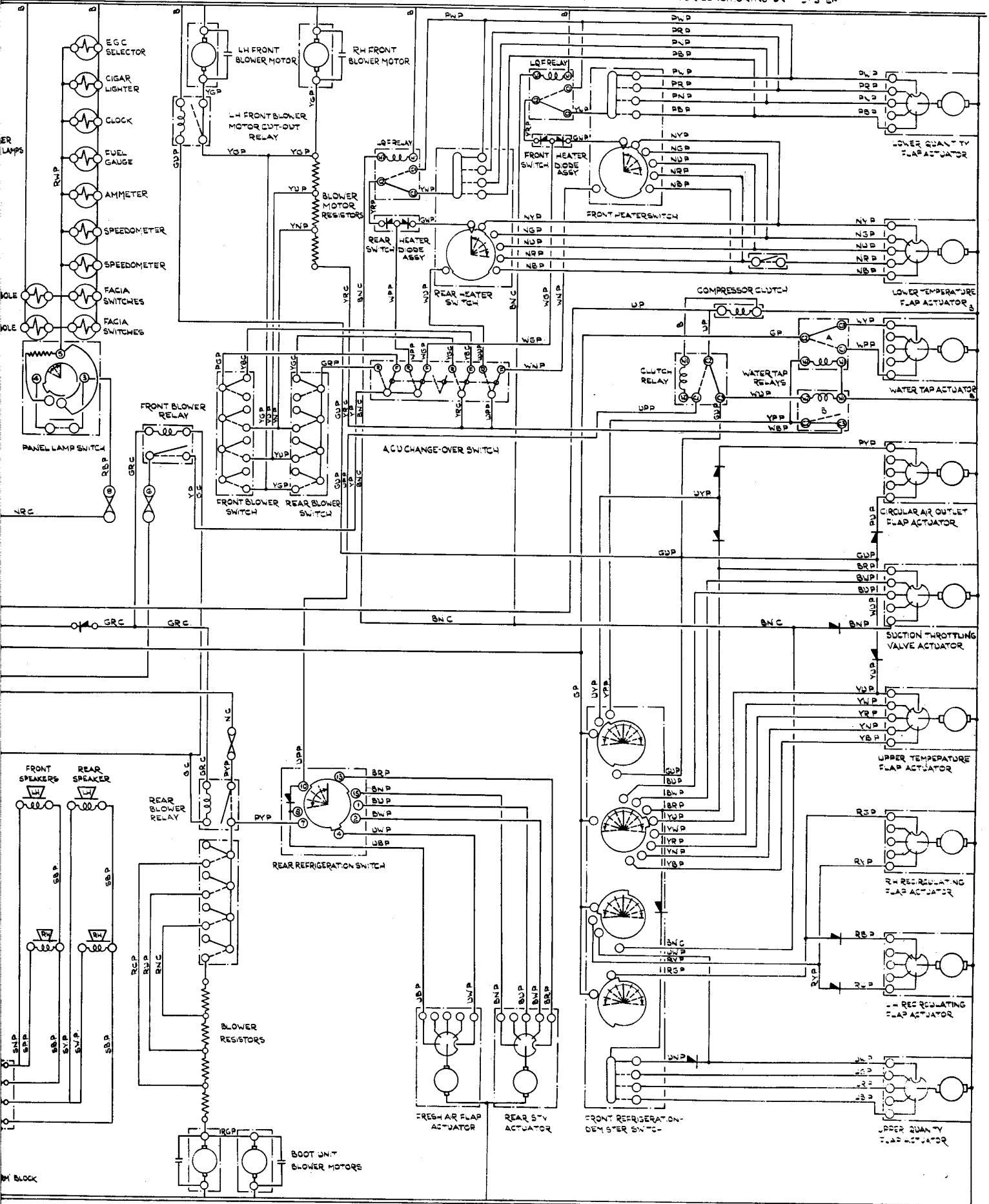
RADIO

LUGGAGE COMPARTMENT

PANEL LAMPS

AIR CONDITIONING UNIT FRONT BLOWER MOTORS

AIR CONDITIONING UNIT SYSTEM



LUGGAGE COMPARTMENT (BOOT) REFRIGERATION UNIT

Section 15

All cars built to 1973
Electrical Specification
(Sheets 1-11)

Printed in England

February 1974

T.S.D. 2476

THEORETICAL WIRING DIAGRAM

Sheet 1

For
Rolls-Royce Silver Shadow
and
Bentley T Series

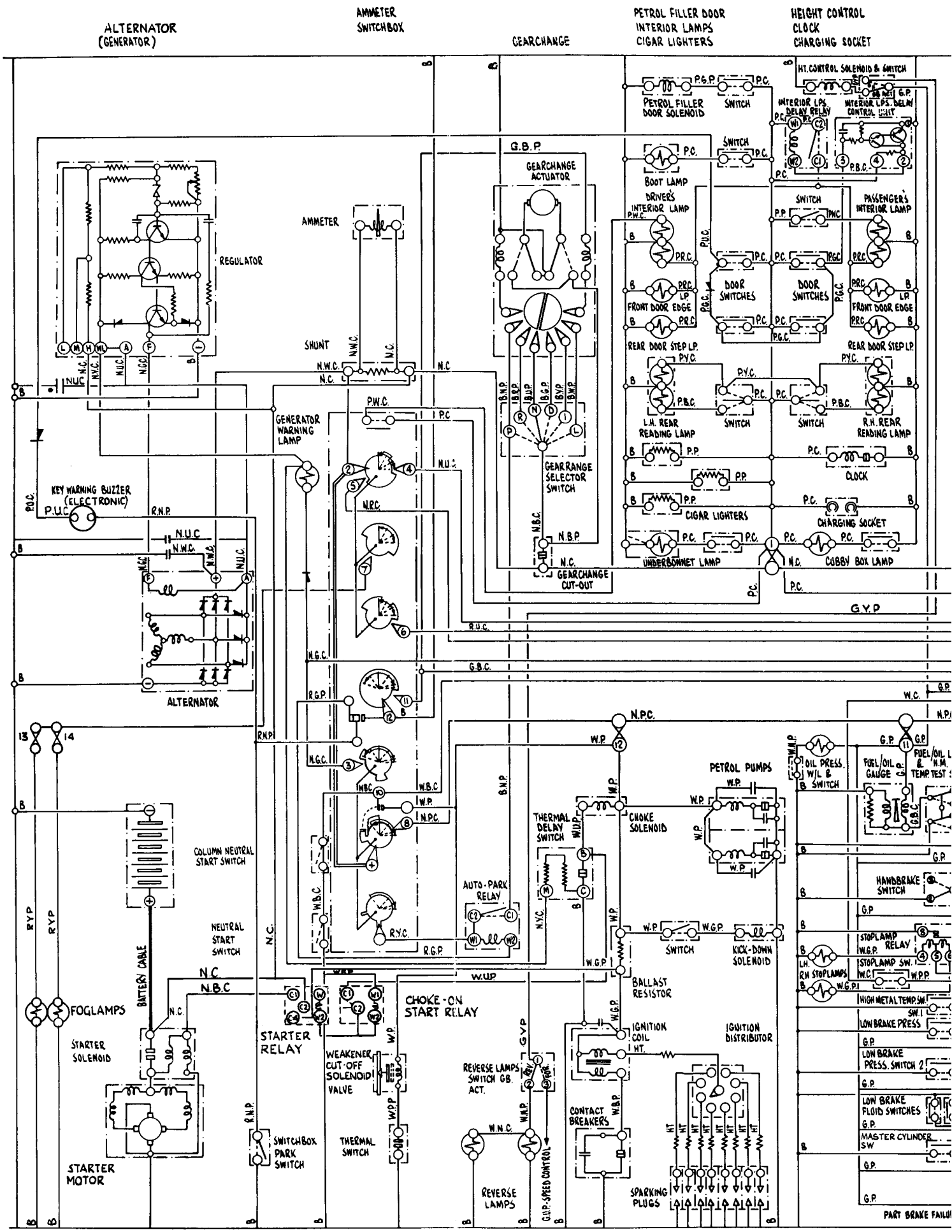
**RIGHT-HAND DRIVE SALOON AND LONG
WHEELBASE NON-DIVISION CARS FROM
CAR SERIAL NUMBER 16214**

T.S.D. Publication 4028

“© Rolls-Royce Motors Limited 1974”

“This document is the property of Rolls-Royce Motors Limited and may not be copied or communicated to a third party or used for any purpose other than that for which it is supplied without the express written authority of Rolls-Royce Motors Limited.”

“Whilst the information in this document given in good faith based upon the latest knowledge available to Rolls-Royce Motors Limited, Rolls-Royce Motors Limited gives no warranty or representation concerning such information, and such information must not be taken as establishing any contractual or other commitment on the part of Rolls-Royce Motors Limited.”

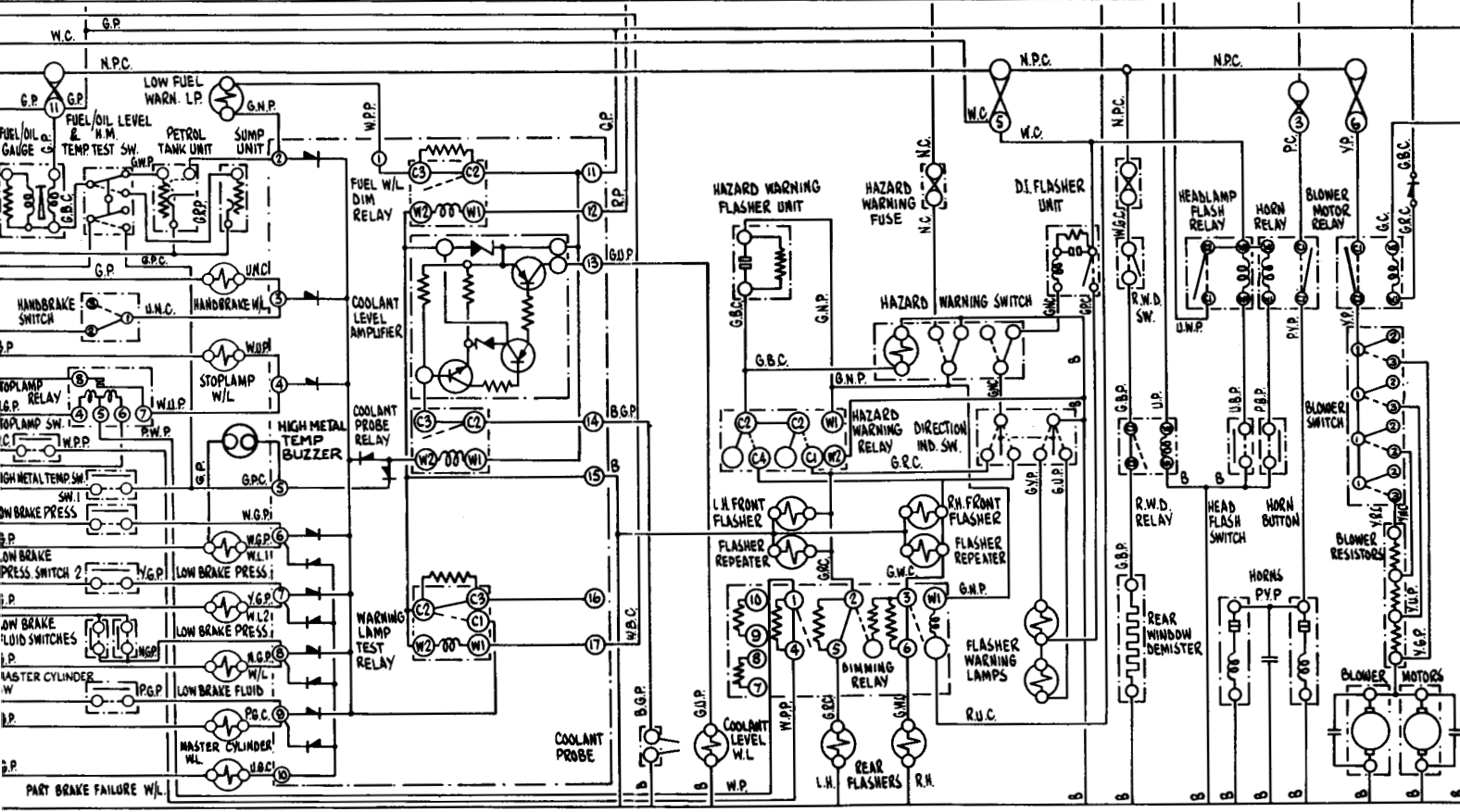
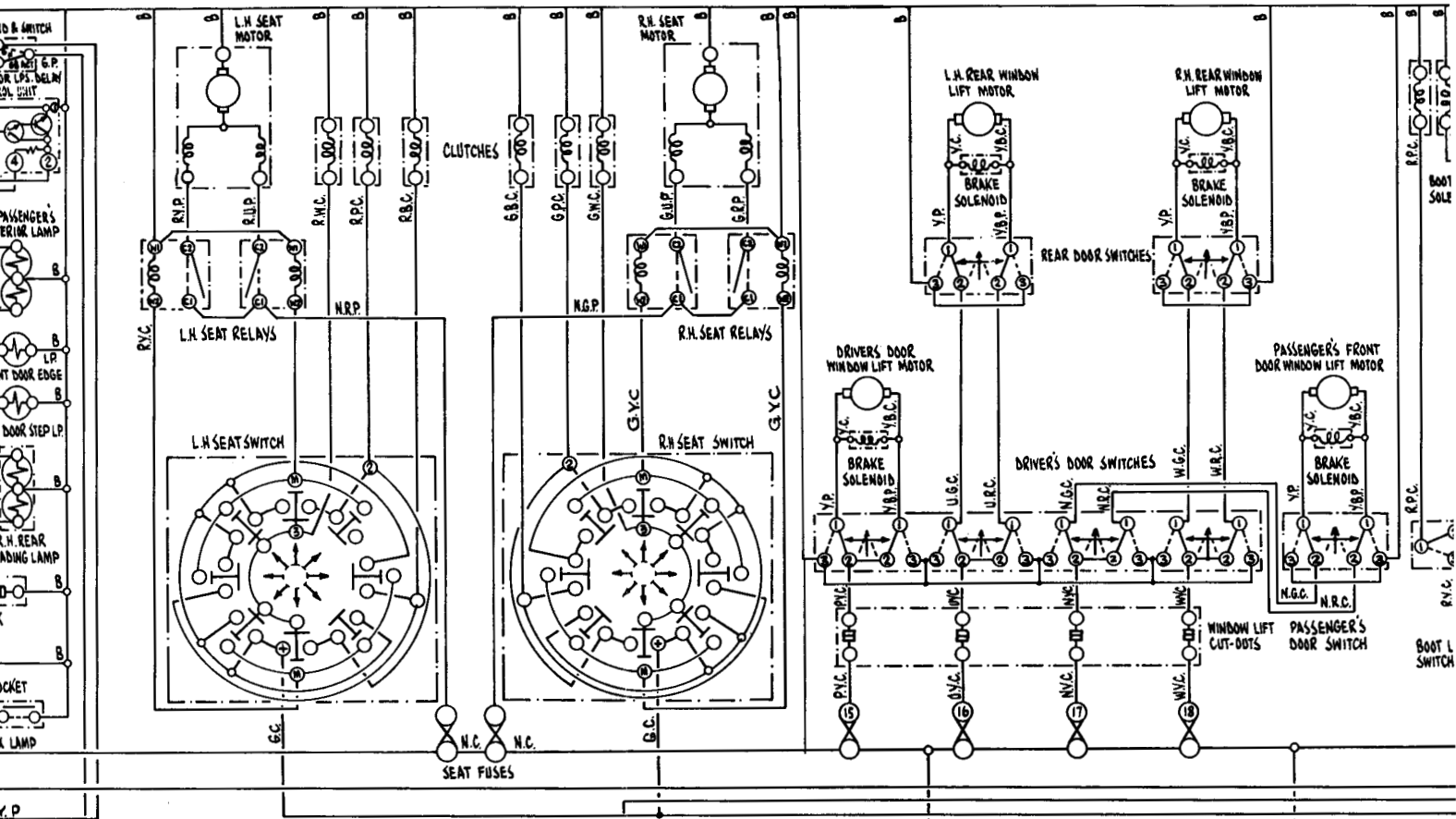


FOGLAMPS BATTERY STARTER WEAKENER CUT-OFF VALVE REVERSE LAMPS IGNITION
 KEY WARNING BUZZER

ELECTRICALLY OPERATED SEATS

ELECTRIC WINDOW LIFTS WITH P.M. MOTORS

CENT



STOP LAMPS, WARNING LAMPS, FUEL GAUGE, HIGH METAL TEMPERATURE BUZZER, COOLANT PROBE.

DIRECTION INDICATORS, HAZARD WARNING

REAR WINDOW DEMISTER

HORNS

BLOWER MOTORS

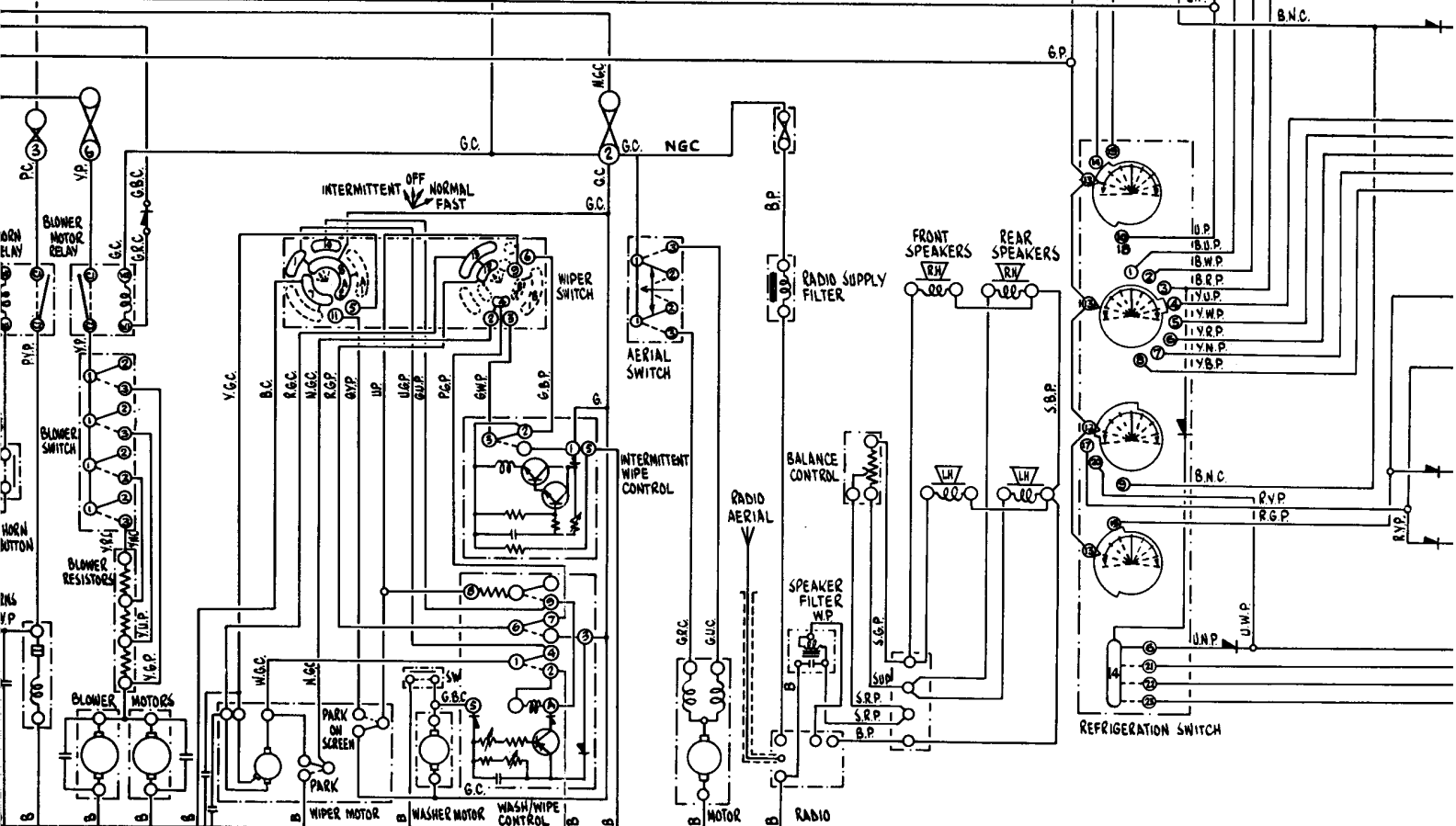
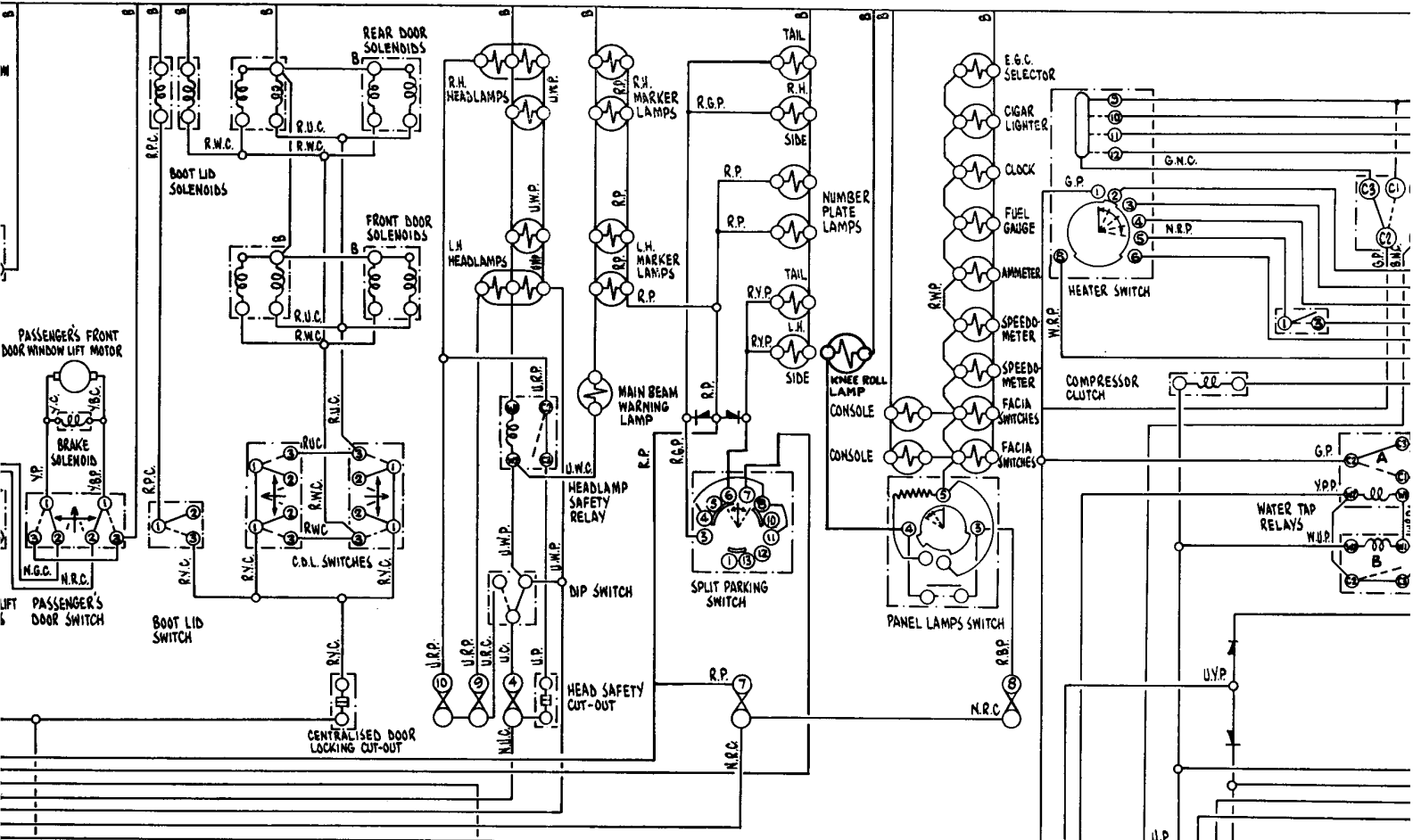
CENTRALISED DOOR & BOOT LID LOCKING

HEADLAMPS

SIDELAMPS

PANEL LAMPS

AIR CONDITIONING UNIT SYSTEM



BLOWER MOTORS

WINDSCREEN WIPER (INCLUDING INTERMITTENT OPERATION) AND WASHER

AERIAL

RADIO

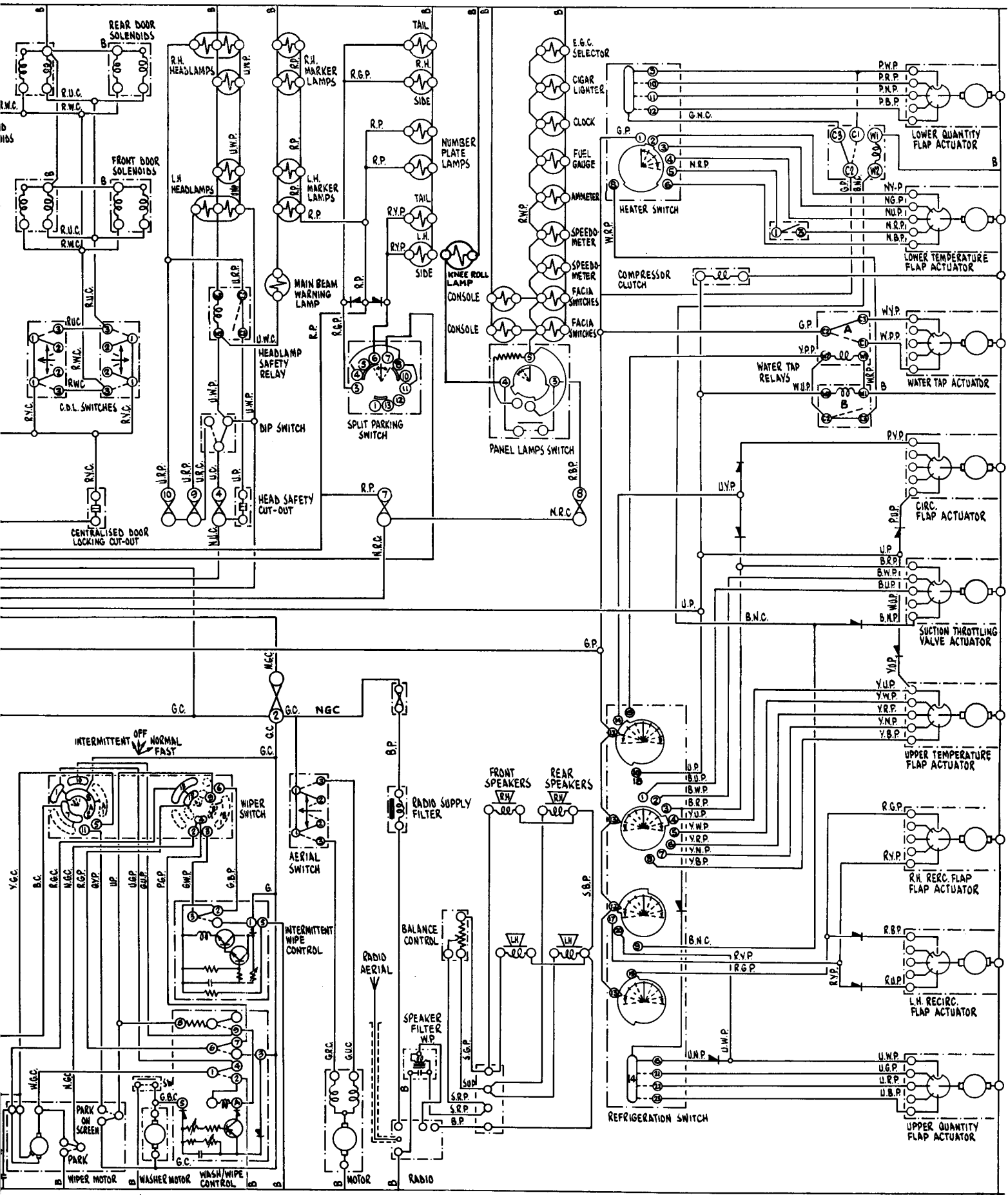
LOCKED DOOR & BOOT LID LOCKING

HEADLAMPS

SIDELAMPS

PANEL LAMPS

AIR CONDITIONING UNIT SYSTEM



WINDSCREEN WIPER (INCLUDING INTERMITTENT OPERATION) AND WASHER

AERIAL

RADIO

THEORETICAL WIRING DIAGRAM

Sheet 2

For
Rolls-Royce Silver Shadow
and
Bentley T Series

**LONG WHEELBASE DIVISION CARS FOR
USA AND CANADA FROM CAR SERIAL
NUMBER 16214**

T.S.D. Publication 4031

“© Rolls-Royce Motors Limited 1974”

“This document is the property of Rolls-Royce Motors Limited and may not be copied or communicated to a third party or used for any purpose other than that for which it is supplied without the express written authority of Rolls-Royce Motors Limited.”

“Whilst the information in this document given in good faith based upon the latest knowledge available to Rolls-Royce Motors Limited. Rolls-Royce Motors Limited gives no warranty or representation concerning such information, and such information must not be taken as establishing any contractual or other commitment on the part of Rolls-Royce Motors Limited.”

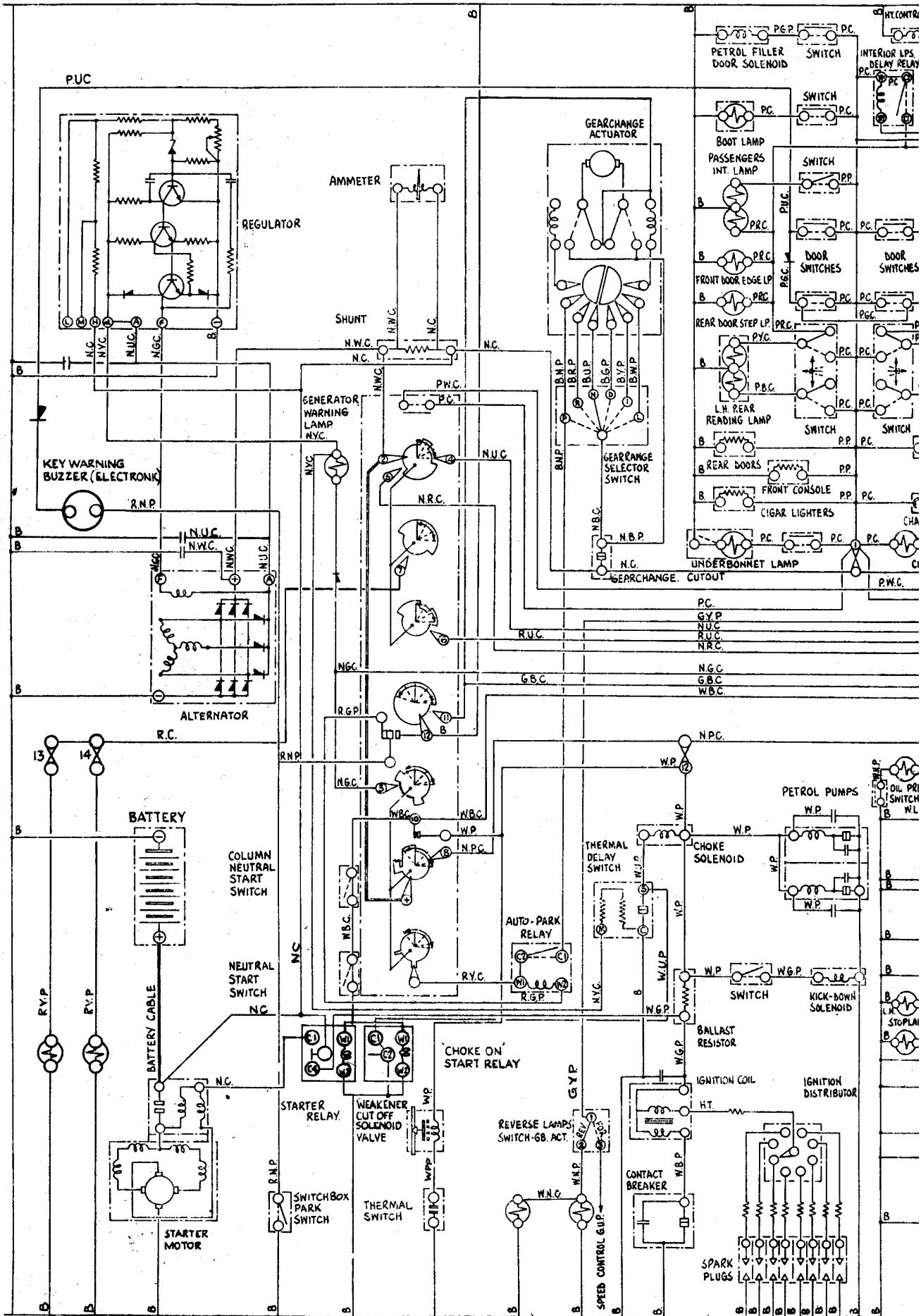
(ALTERNATOR)
GENERATOR

AMMETER
SWITCHBOX
PARK SWITCH

GEARCHANGE

PETROL FILLER DOOR
INTERIOR LAMPS
CIGAR LIGHTERS

HEIGHT
CLOCK
CHARGING



FOG LAMPS
KEY WARNING
BUZZER

BATTERY
STARTER

WEAKENER CUT-OFF VALVE

REVERSE LAMPS

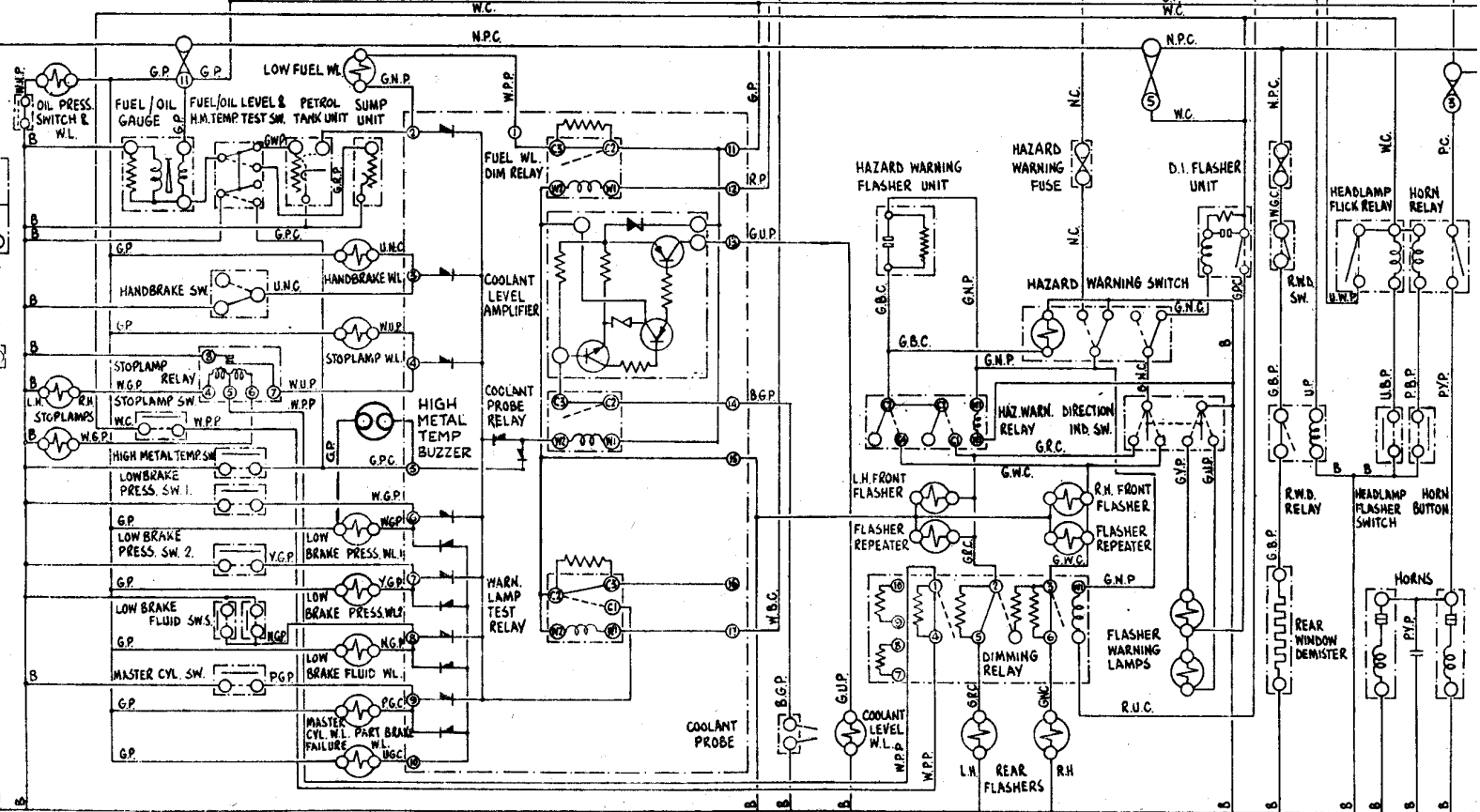
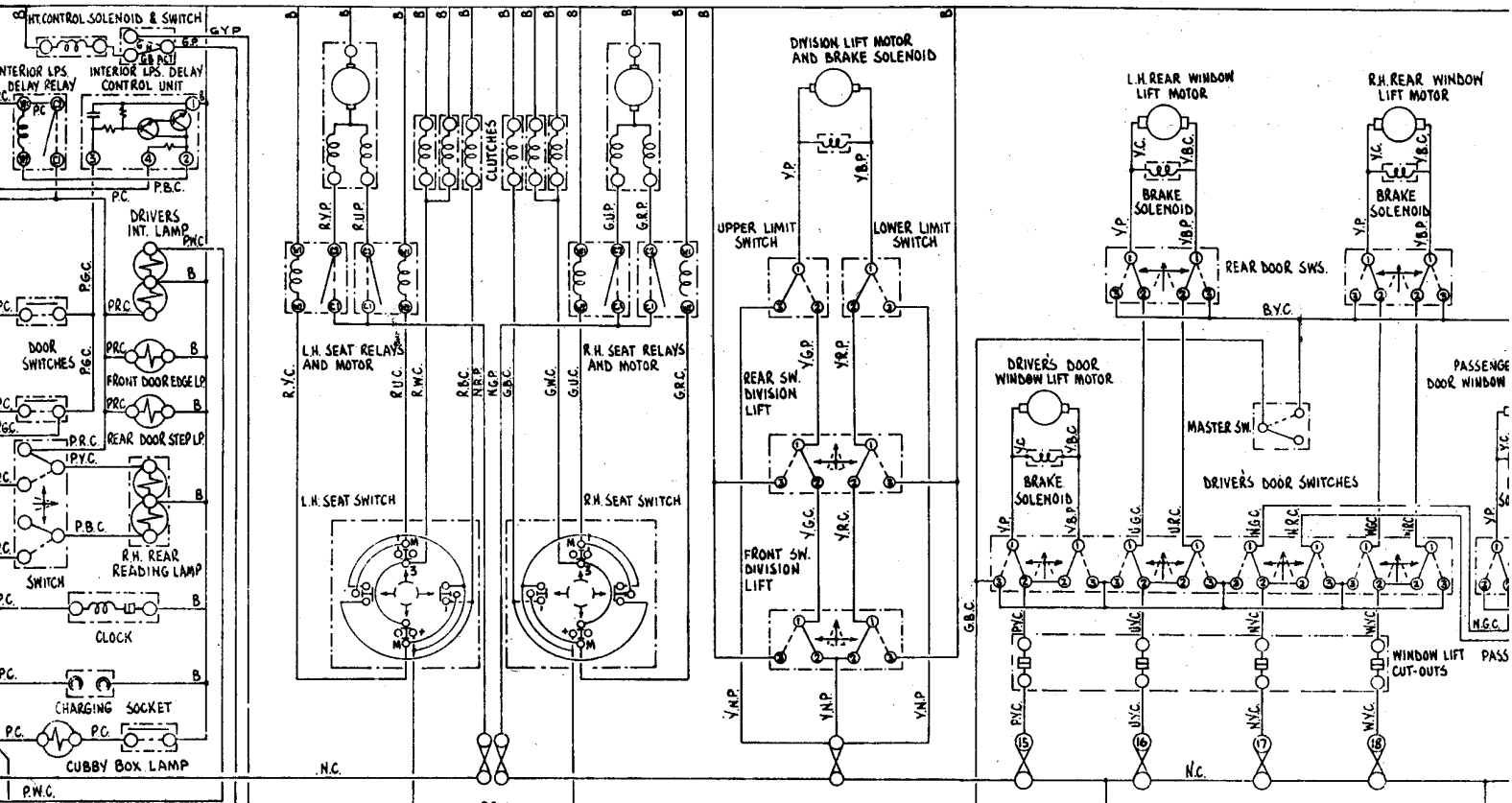
IGNITION

HEIGHT CONTROL
CLOCK
CHARGING SOCKET

ELECTRICALLY OPERATED SEATS

DIVISION LIFT

ELECTRIC WINDOW LIFTS WITH PM. MOTORS



STOPLAMPS WARNING LAMPS FUEL/OIL GAUGE HIGH METAL TEMPERATURE BUZZER COOLANT PROBE

DIRECTION INDICATOR LAMPS AND HAZARD WARNING

REAR WINDOW DEMISTER HORNS

WITH P.M. MOTORS

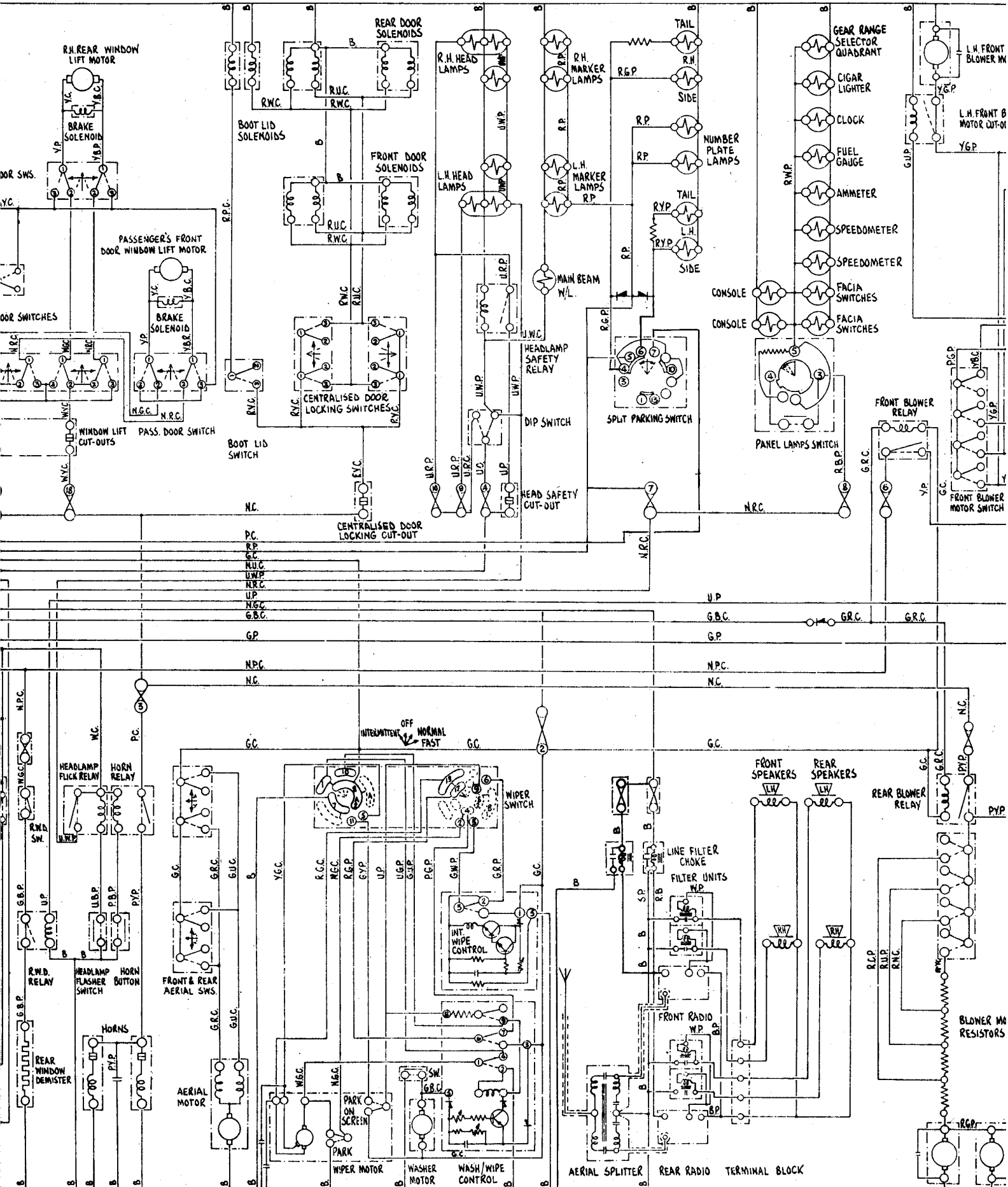
CENTRALISED DOOR AND BOOT LID LOCKING

HEADLAMPS

SIDELAMPS

PANEL LAMPS

AIR CONDITIONING FRONT BLOWER M



REAR WINDOW DEMISTER

HORNS

AERIAL

WINDSCREEN WIPER AND WASHER (INCLUDING INTERMITTENT OPERATION)

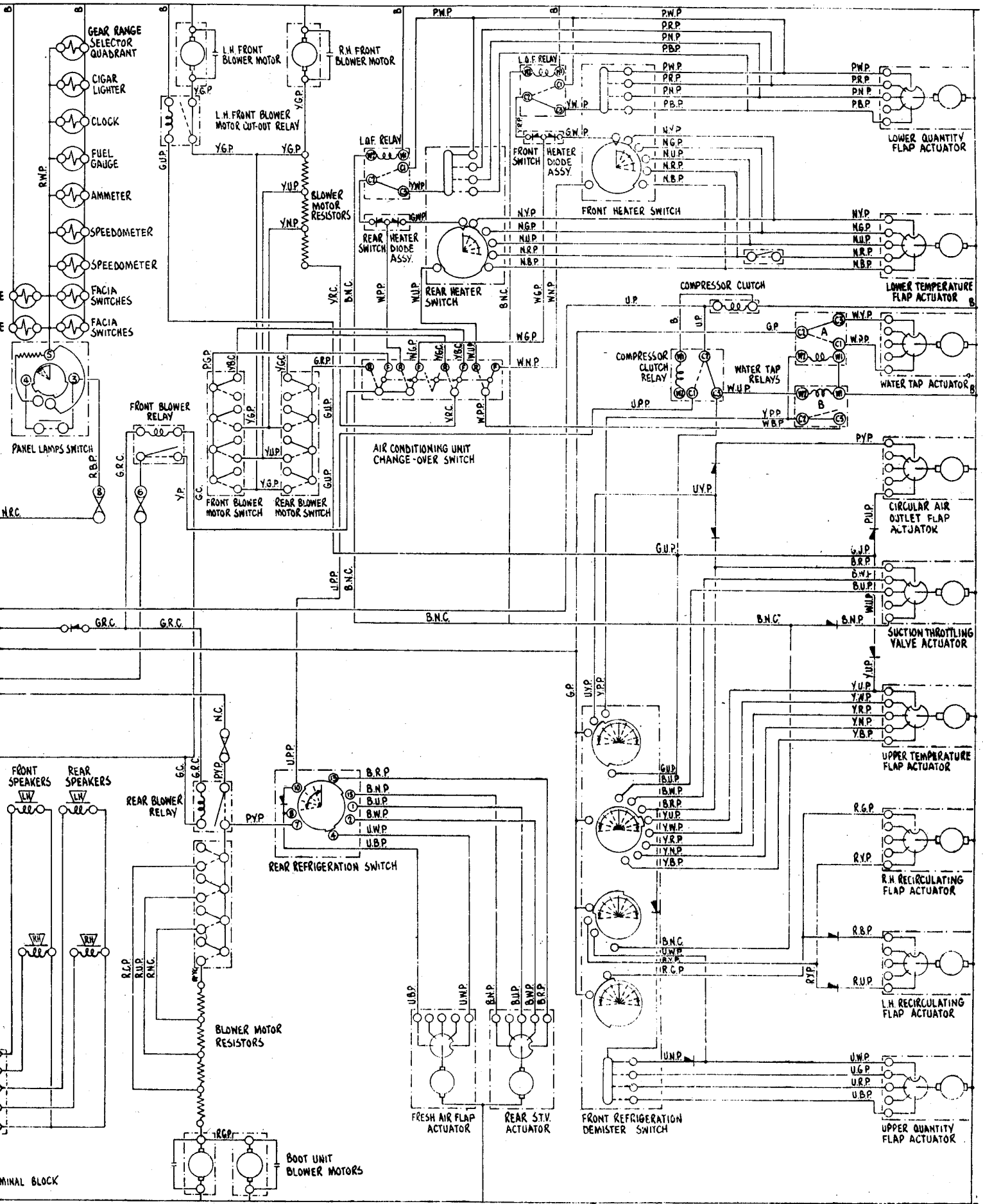
STEREO RADIO

LUGGAGE COMP. REF.

PANEL LAMPS

AIR CONDITIONING UNIT FRONT BLOWER MOTORS

AIR CONDITIONING UNIT SYSTEM



LUGGAGE COMP. REFRIGERATION UNIT

THEORETICAL WIRING DIAGRAM

Sheet 3

For
Rolls-Royce Corniche Saloon
and
Bentley Corniche Saloon

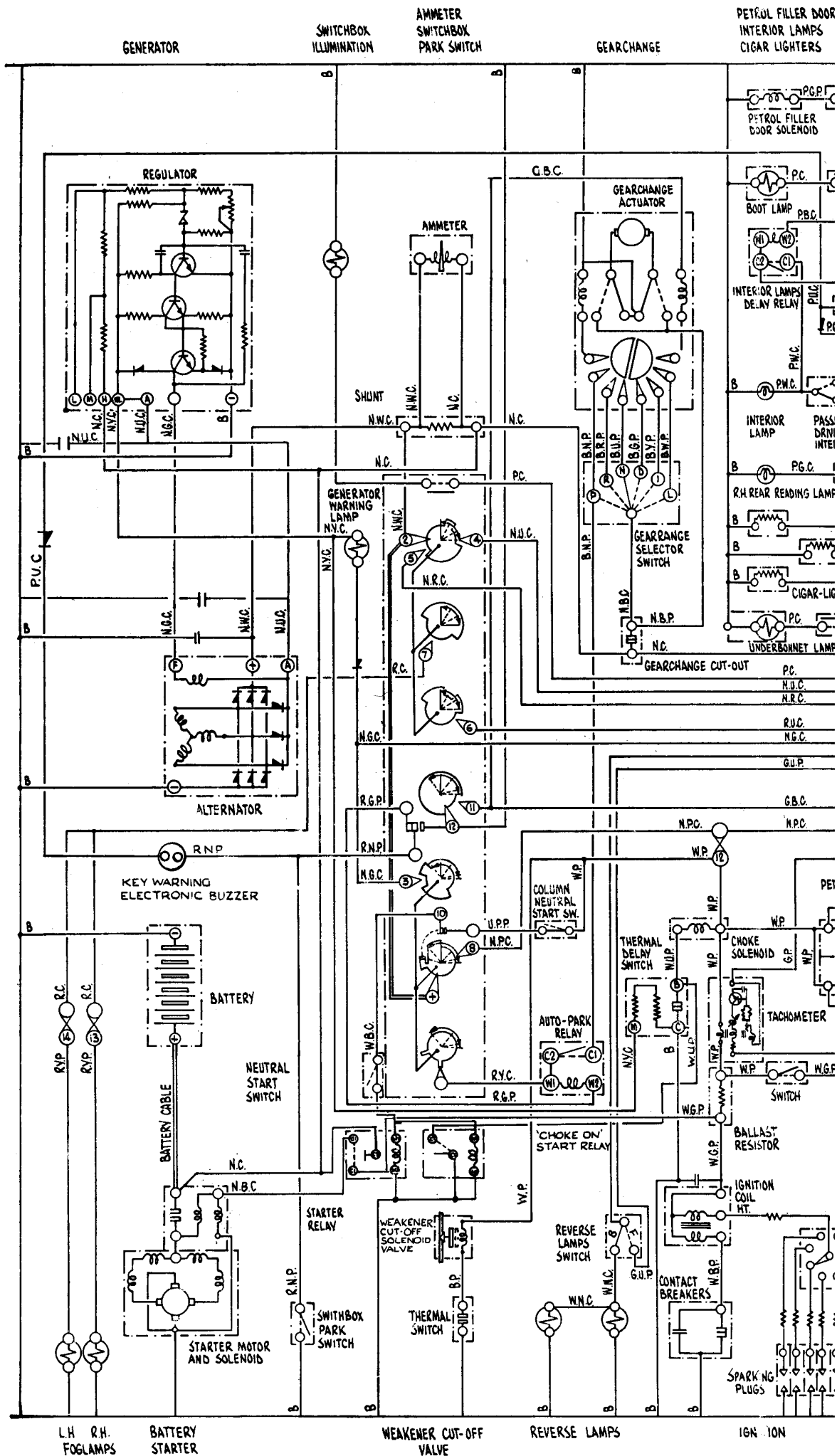
**LEFT-HAND DRIVE CARS FOR COUNTRIES
OTHER THAN USA AND CANADA FROM
CAR SERIAL NUMBER 16214**

T.S.D. Publication 4048

"© Rolls-Royce Motors Limited 1974"

"This document is the property of Rolls-Royce Motors Limited and may not be copied or communicated to a third party or used for any purpose other than that for which it is supplied without the express written authority of Rolls-Royce Motors Limited."

"Whilst the information in this document given in good faith based upon the latest knowledge available to Rolls-Royce Motors Limited, Rolls-Royce Motors Limited gives no warranty or representation concerning such information, and such information must not be taken as establishing any contractual or other commitment on the part of Rolls-Royce Motors Limited."



L.H. R.H.
FOGLAMPS

BATTERY
STARTER

WEAKENER CUT-OFF
VALVE

REVERSE LAMPS

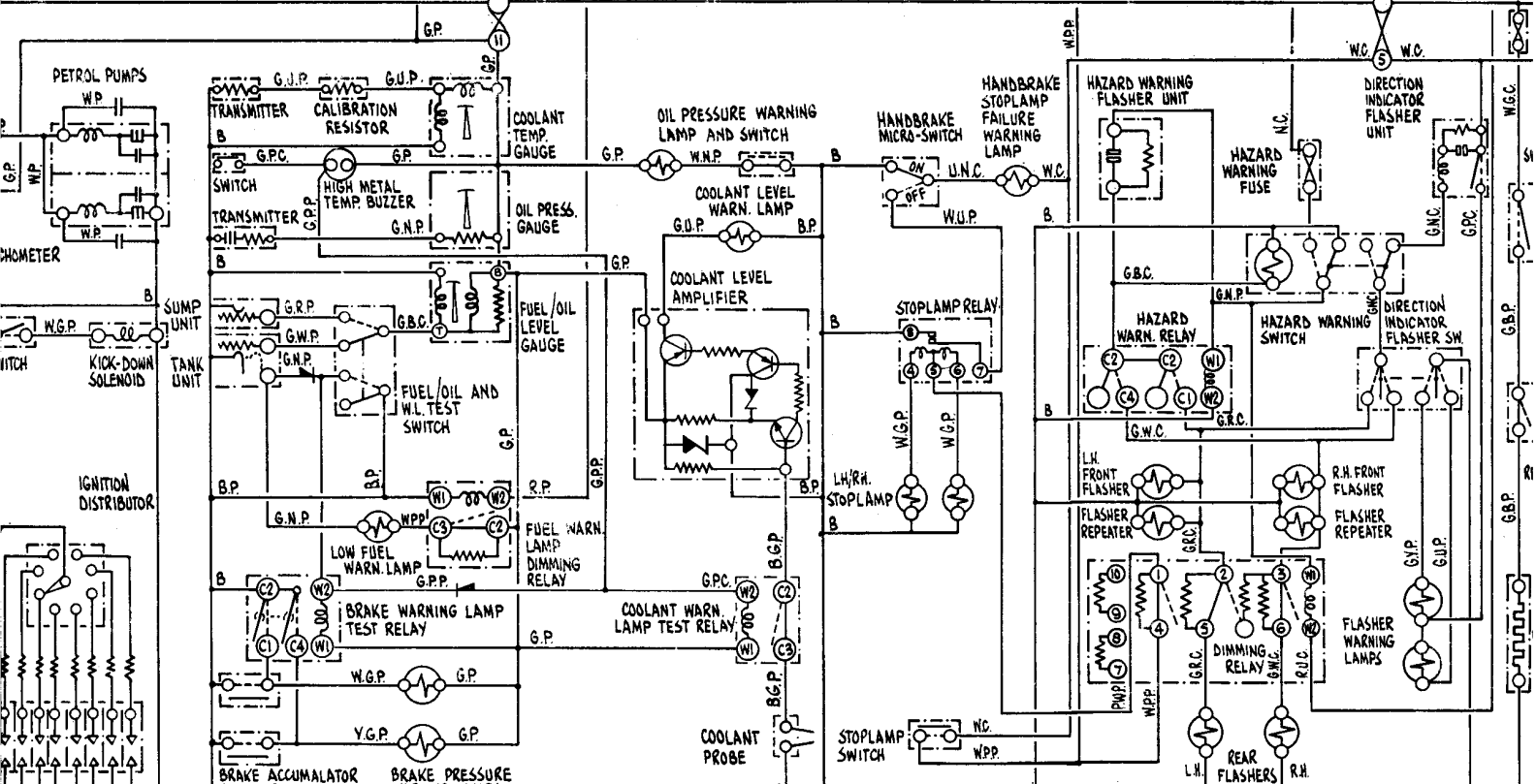
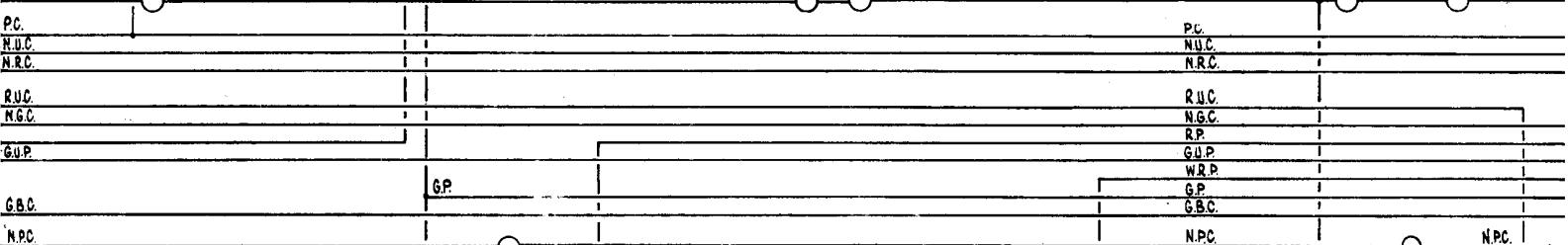
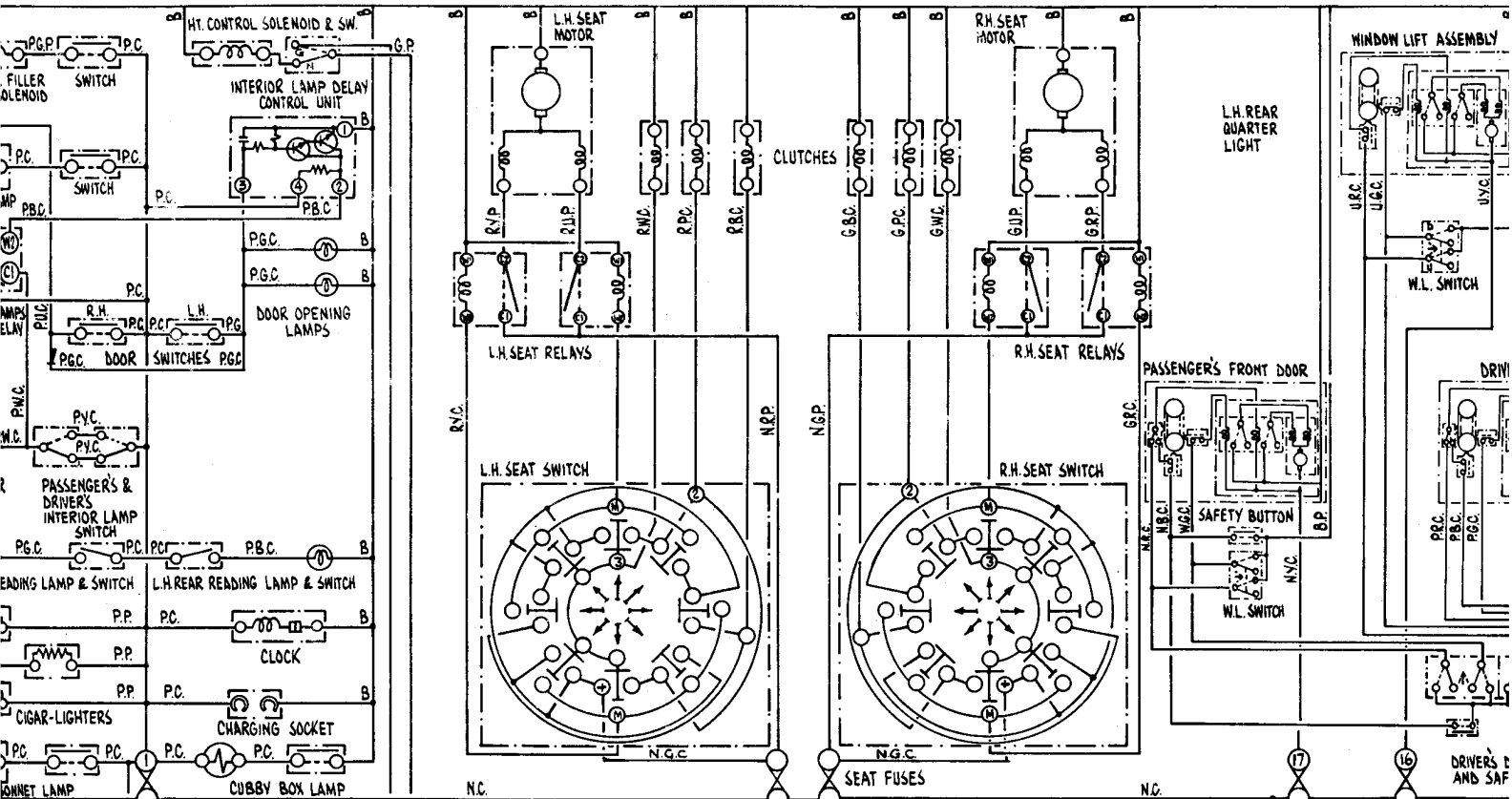
IGN 10N

FILLER DOOR
R LAMPS
LIGHTERS

HEIGHT CONTROL
CLOCK
CHARGING SOCKET

ELECTRICALLY OPERATED SEATS

ELECTRIC WINDOW LIFT



STOPLAMPS, WARNING LAMPS, FUEL-OIL PRESSURE-WATER TEMPERATURE
GAUGES, HIGH METAL TEMPERATURE BUZZER, COOLANT PROBE

DIRECTION INDICATORS HAZARD WARNING
REAR DEM

REAR DEM

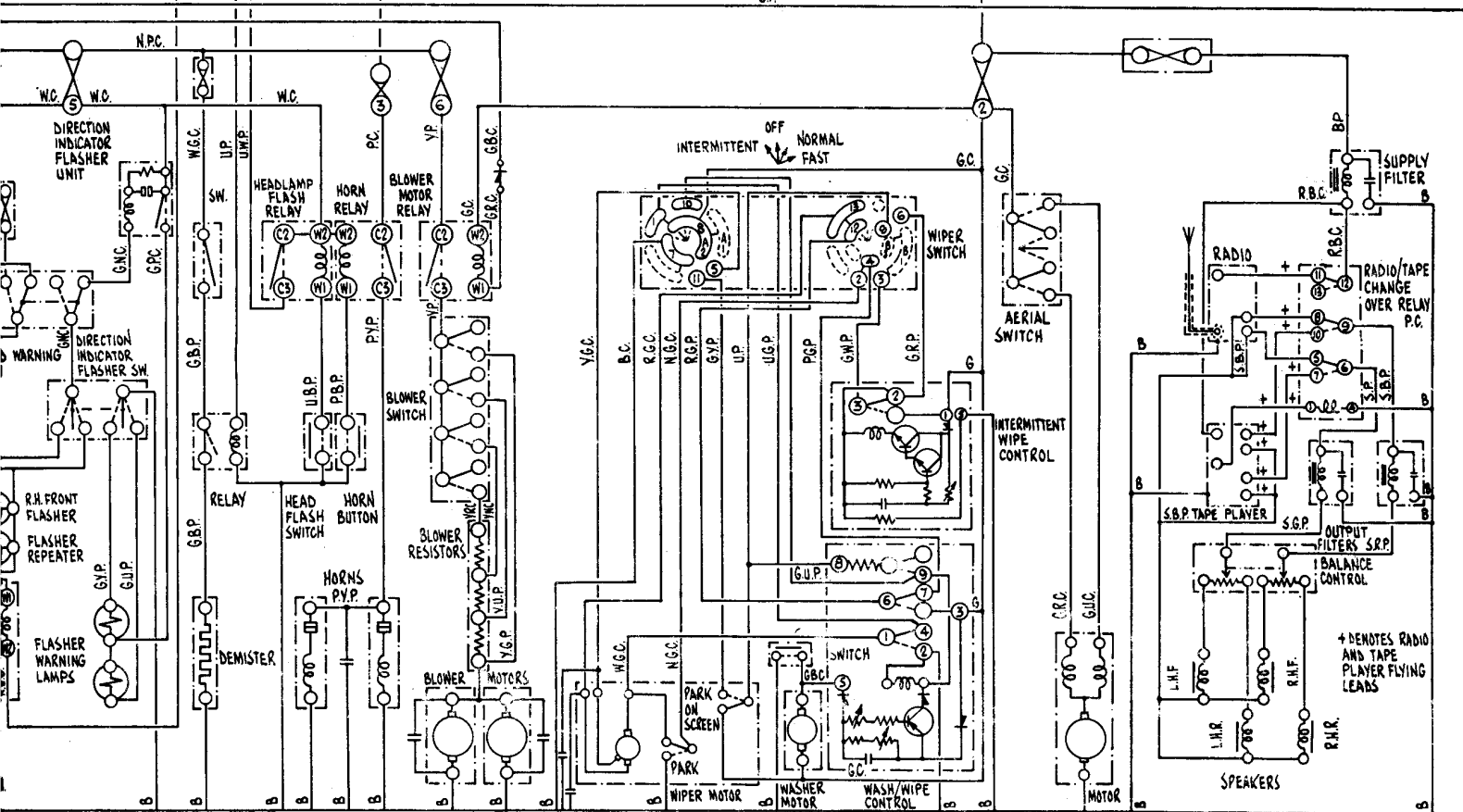
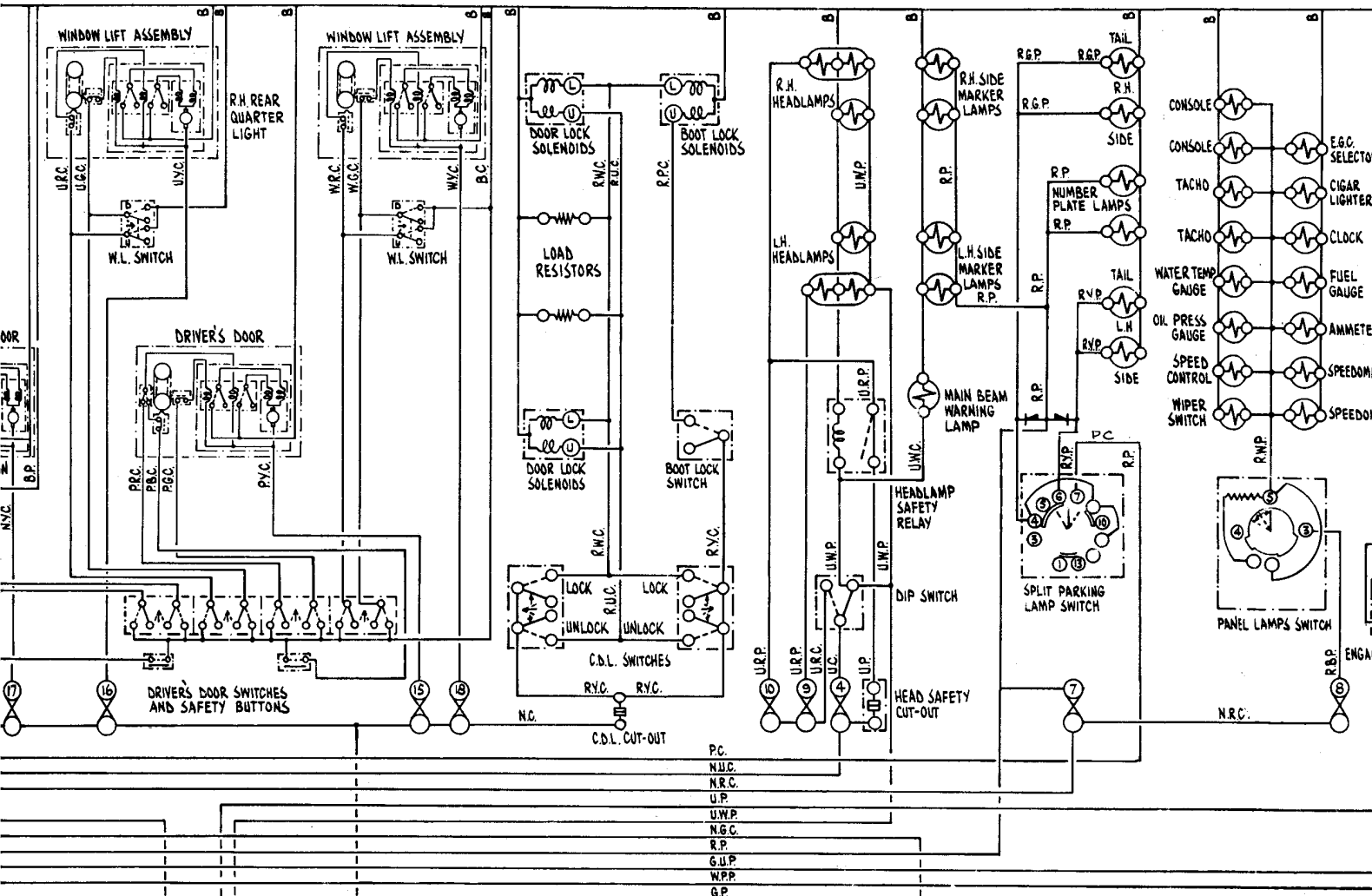
ELECTRIC WINDOW LIFTS

CENTRALISED DOOR & BOOT LID LOCKING

HEADLAMPS

SIDLAMPS

PANEL LAMPS



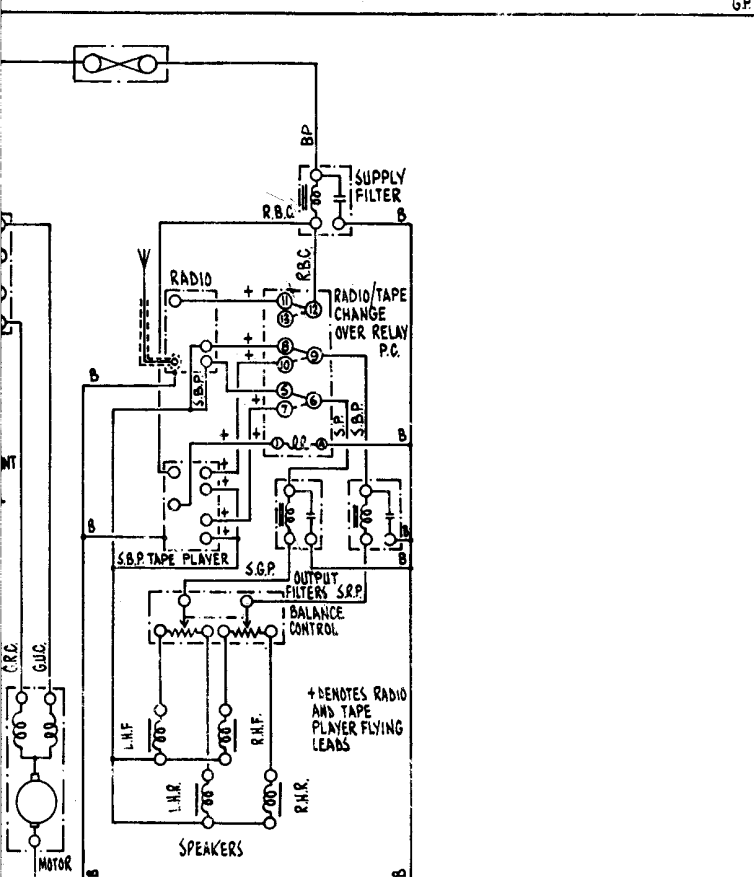
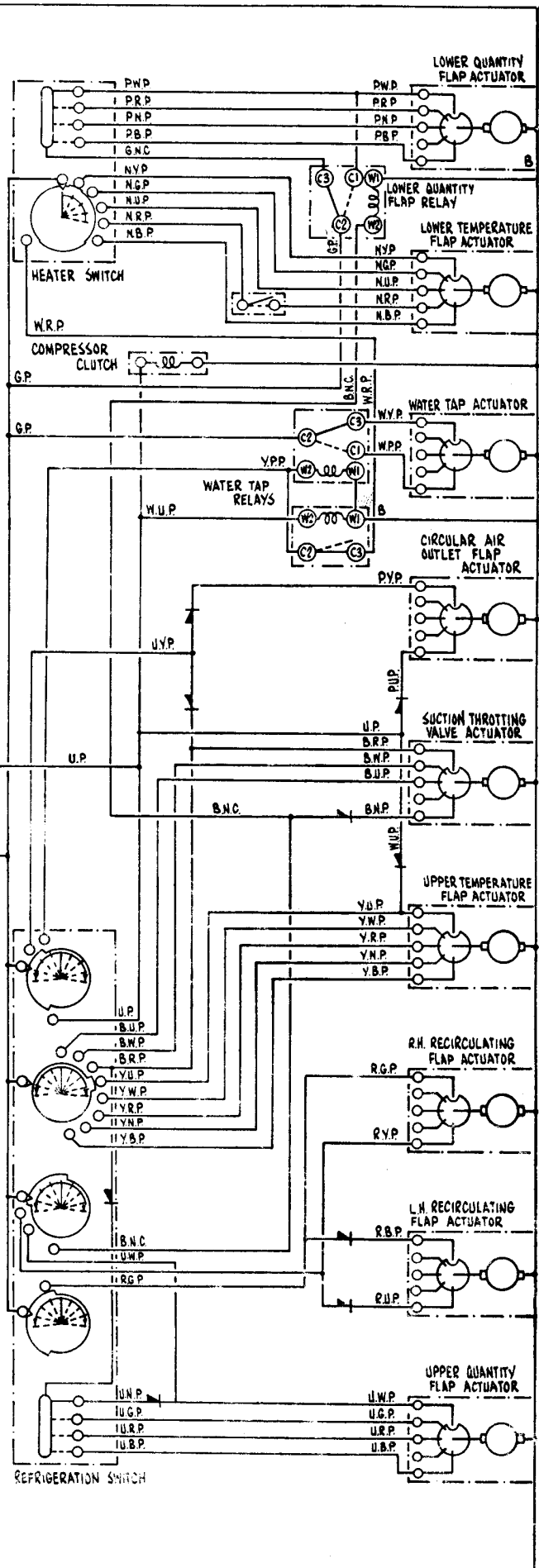
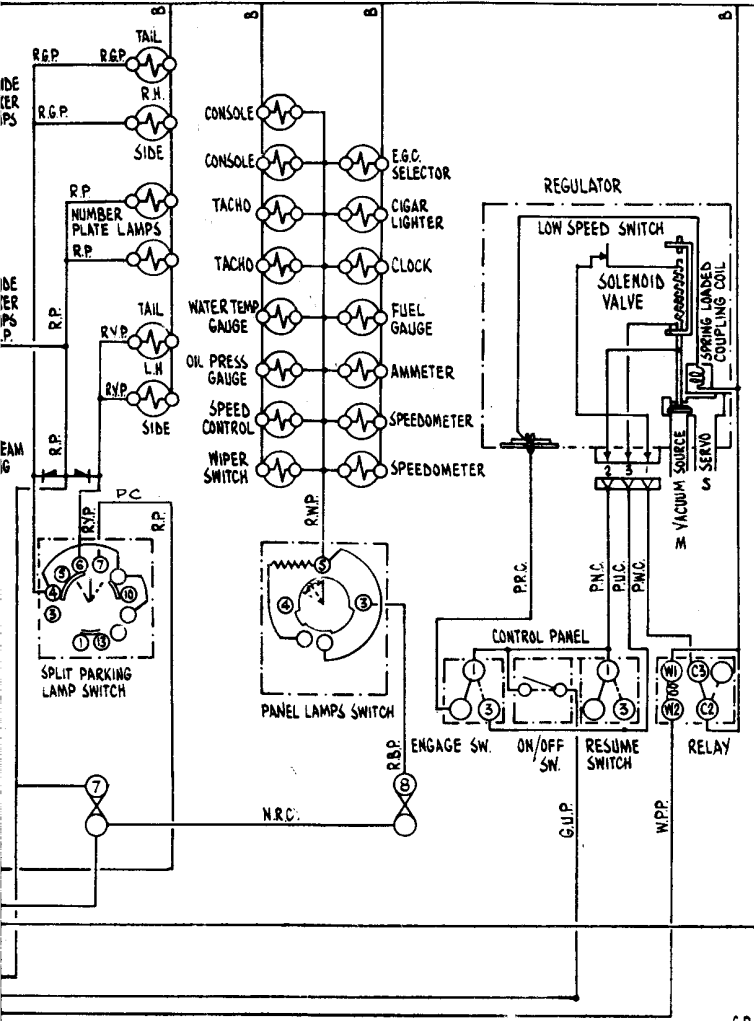
FRONT WARNING REAR WINDOW DEMISTER HORNS BLOWER MOTORS WINDSCREEN WIPER (INCLUDING INTERMITTENT OPERATION) AND WASHERS AERIAL RADIO AND TAPE PLAYER STEREO RADIO/STEREO TAPE

SIDLAMPS

PANEL LAMPS

TWORS SPEED CONTROL

AIR CONDITIONING UNIT SYSTEM



RADIO AND TAPE PLAYER STERIC RADIO/STEREO TAPE

THEORETICAL WIRING DIAGRAM

Sheet 4

For
Rolls-Royce Corniche Saloon
and
Bentley Corniche Saloon

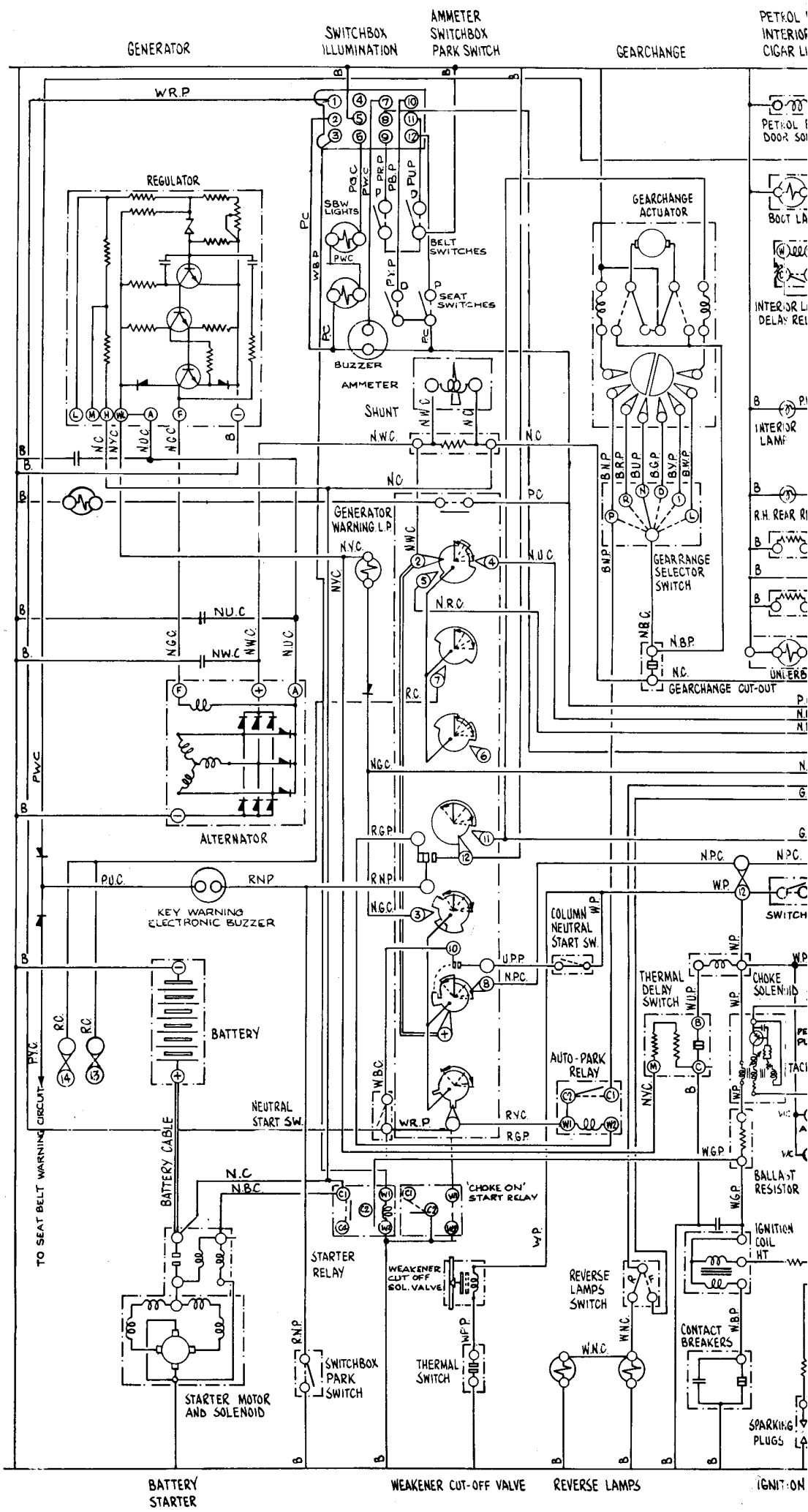
**LEFT-HAND DRIVE CARS FOR USA AND
CANADA FROM CAR SERIAL NUMBER
16214**

T.S.D. Publication 4054

"© Rolls-Royce Motors Limited 1974"

"This document is the property of Rolls-Royce Motors Limited and may not be copied or communicated to a third party or used for any purpose other than that for which it is supplied without the express written authority of Rolls-Royce Motors Limited."

"Whilst the information in this document given in good faith based upon the latest knowledge available to Rolls-Royce Motors Limited, Rolls-Royce Motors Limited gives no warranty or representation concerning such information, and such information must not be taken as establishing any contractual or other commitment on the part of Rolls-Royce Motors Limited."

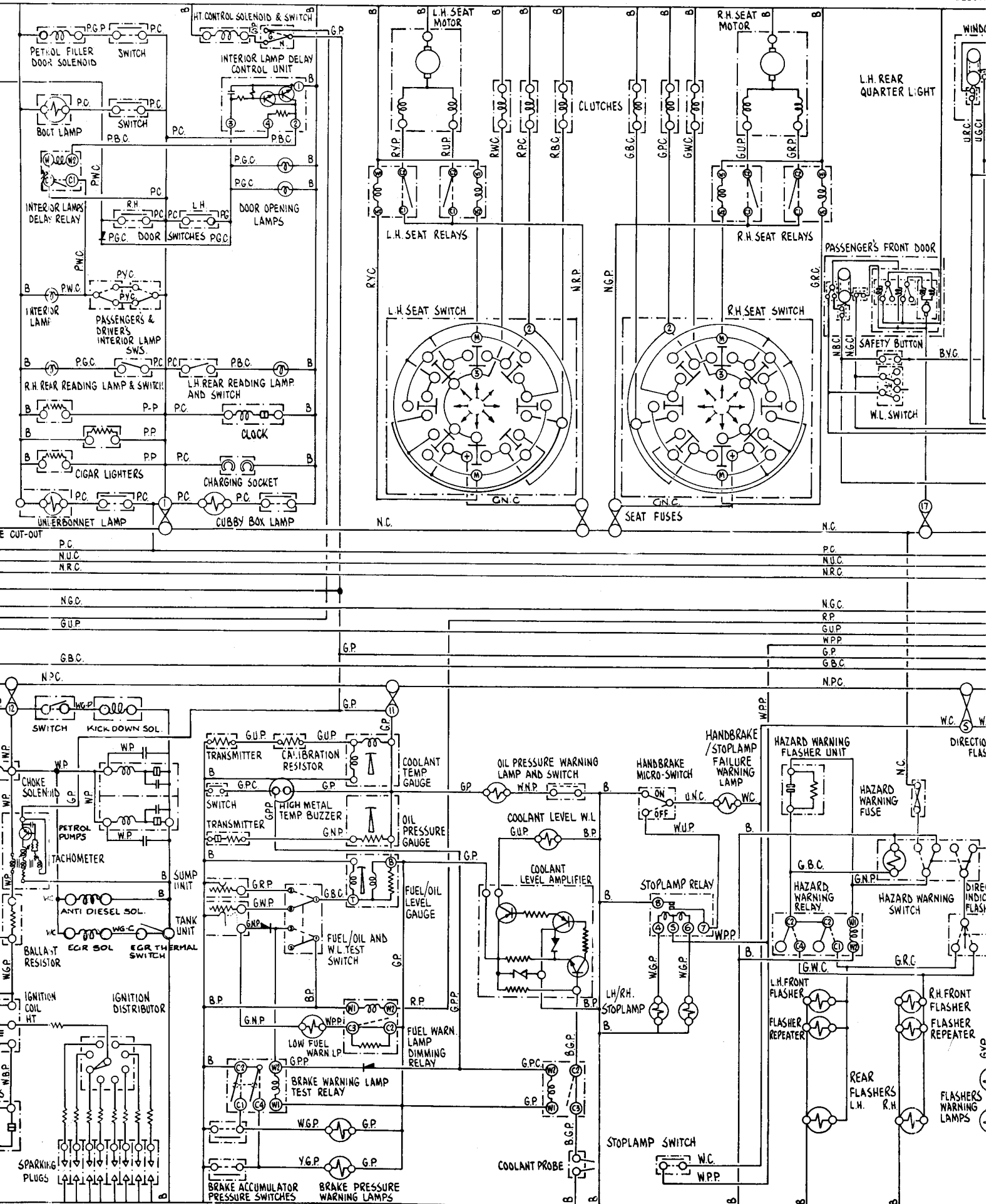


PETROL FILLER DOOR
 INTERIOR LAMPS
 CIGAR LIGHTERS

HEIGHT CONTROL
 CLOCK
 CHARGING SOCKET

ELECTRICALLY OPERATED SEATS

ELECTR



IGNITION

STOPLAMPS, WARNING LAMPS, FUEL-OIL PRESSURE-WATER TEMP. GAUGES, HIGH METAL TEMPERATURE BUZZER, COOLANT PROBE.

DIRECTION INDICATORS, HAZARD WARNING

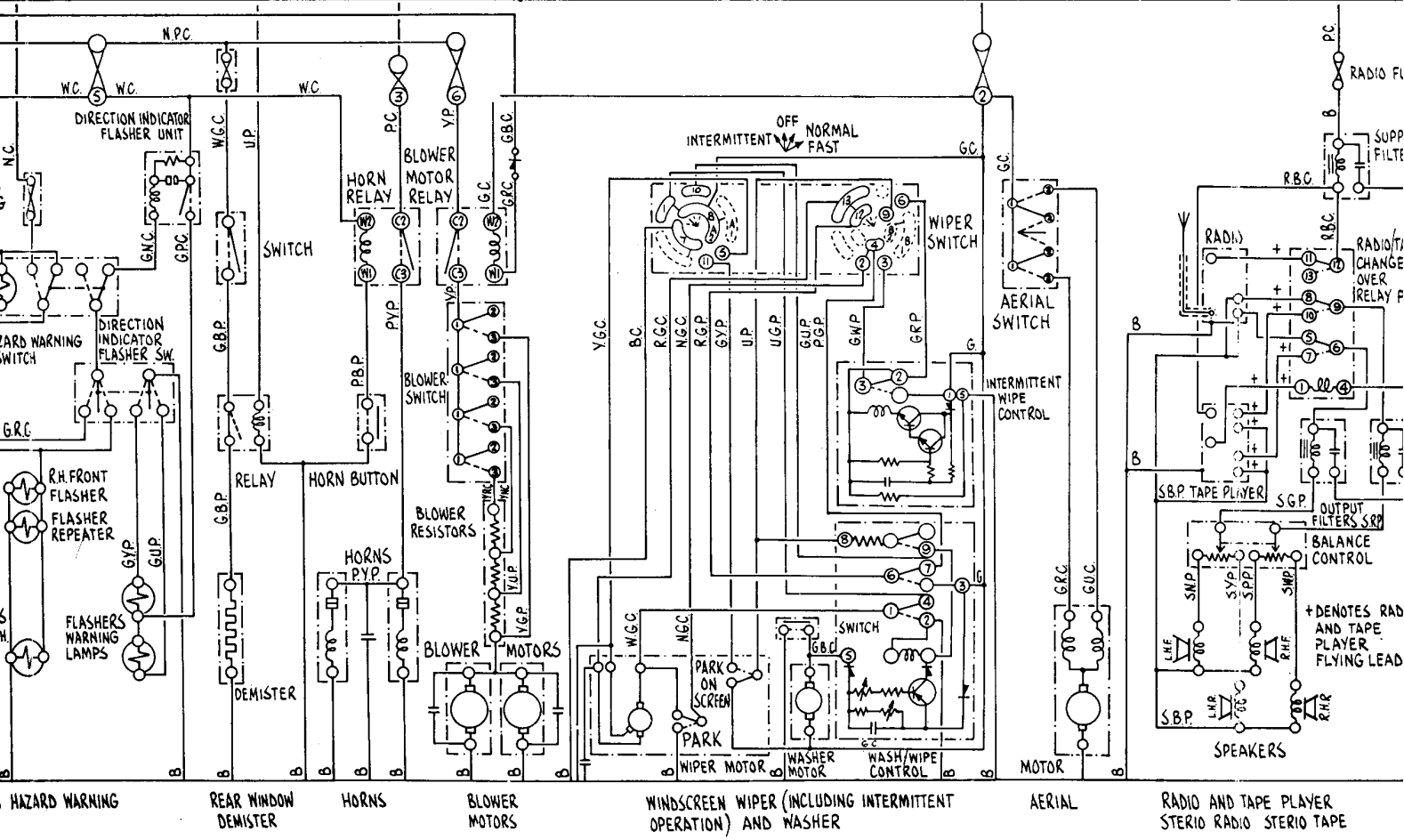
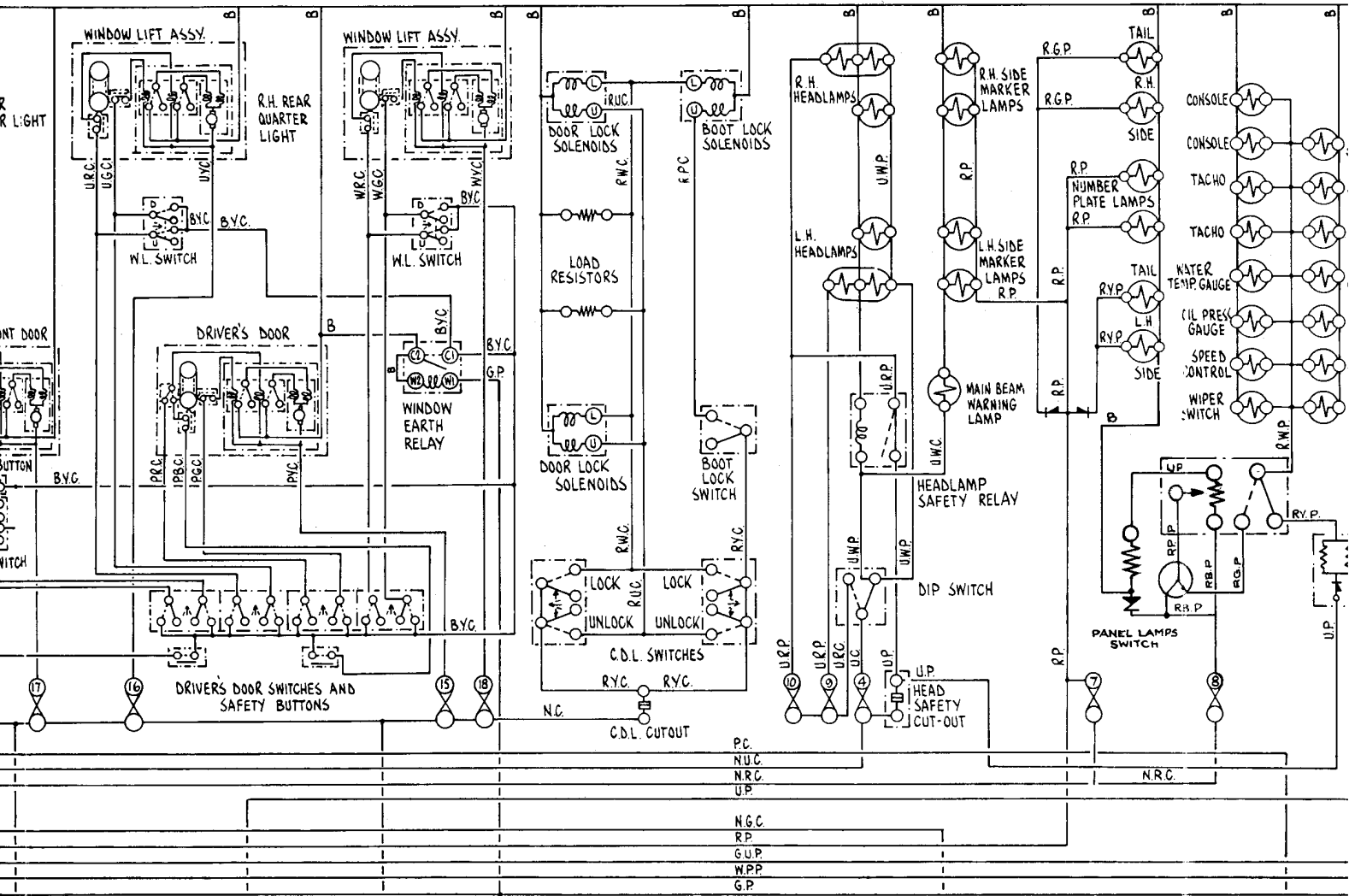
ELECTRIC WINDOW LIFTS

CENTRALISED DOOR BOOT LID LOCKING

HEADLAMPS

SIDELAMPS

PANEL LAMPS

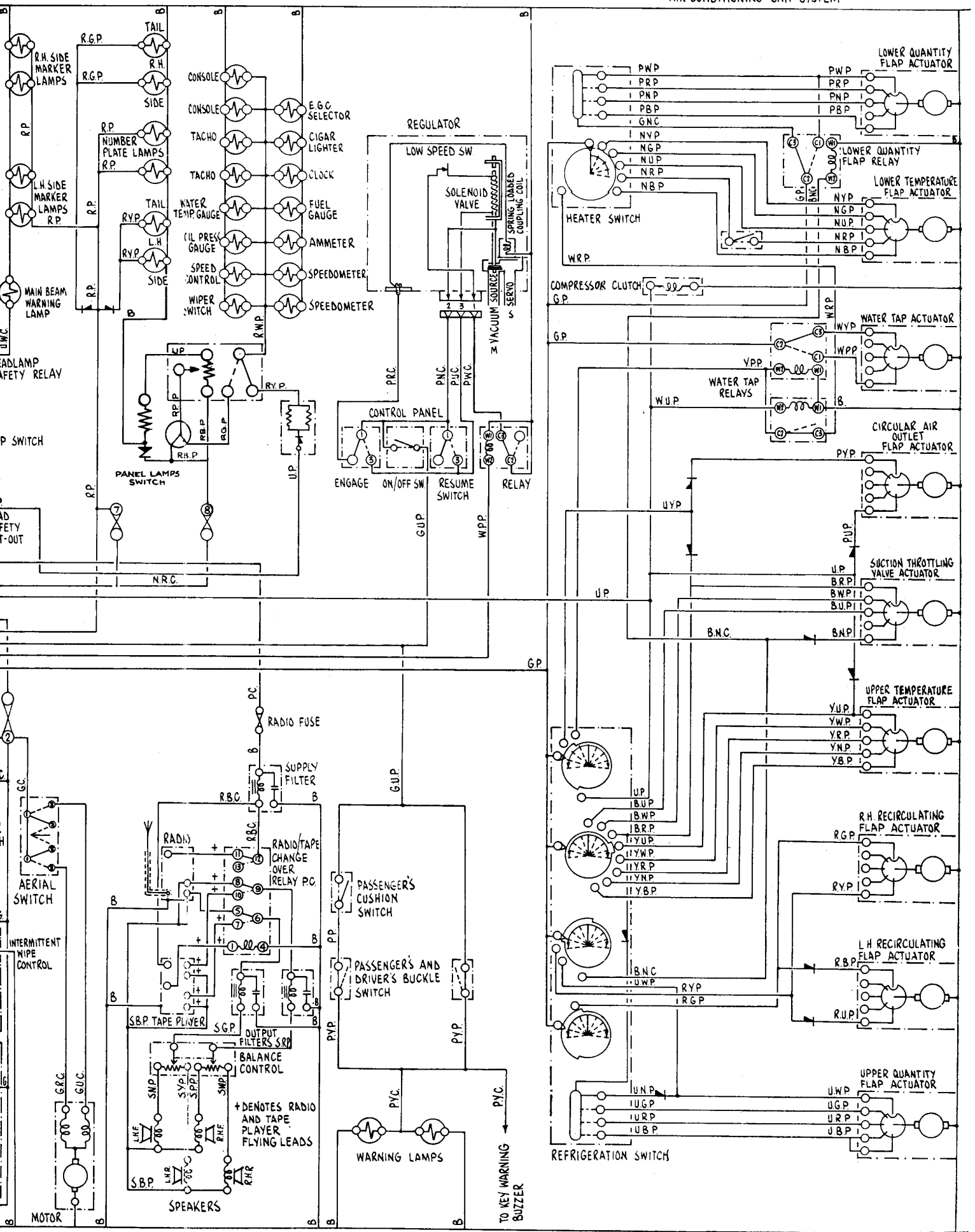


SIDLAMPS

PANEL LAMPS

IMORS SPEED CONTROL

AIR CONDITIONING UNIT SYSTEM



AERIAL

RADIO AND TAPE PLAYER
STEREO RADIO STEREO TAPE

SEAT BELT WARNING

THEORETICAL WIRING DIAGRAM

Sheet 5

For
Rolls-Royce Corniche Saloon
and
Bentley Corniche Saloon

**RIGHT-HAND DRIVE CARS FROM CAR
SERIAL NUMBER 16214**

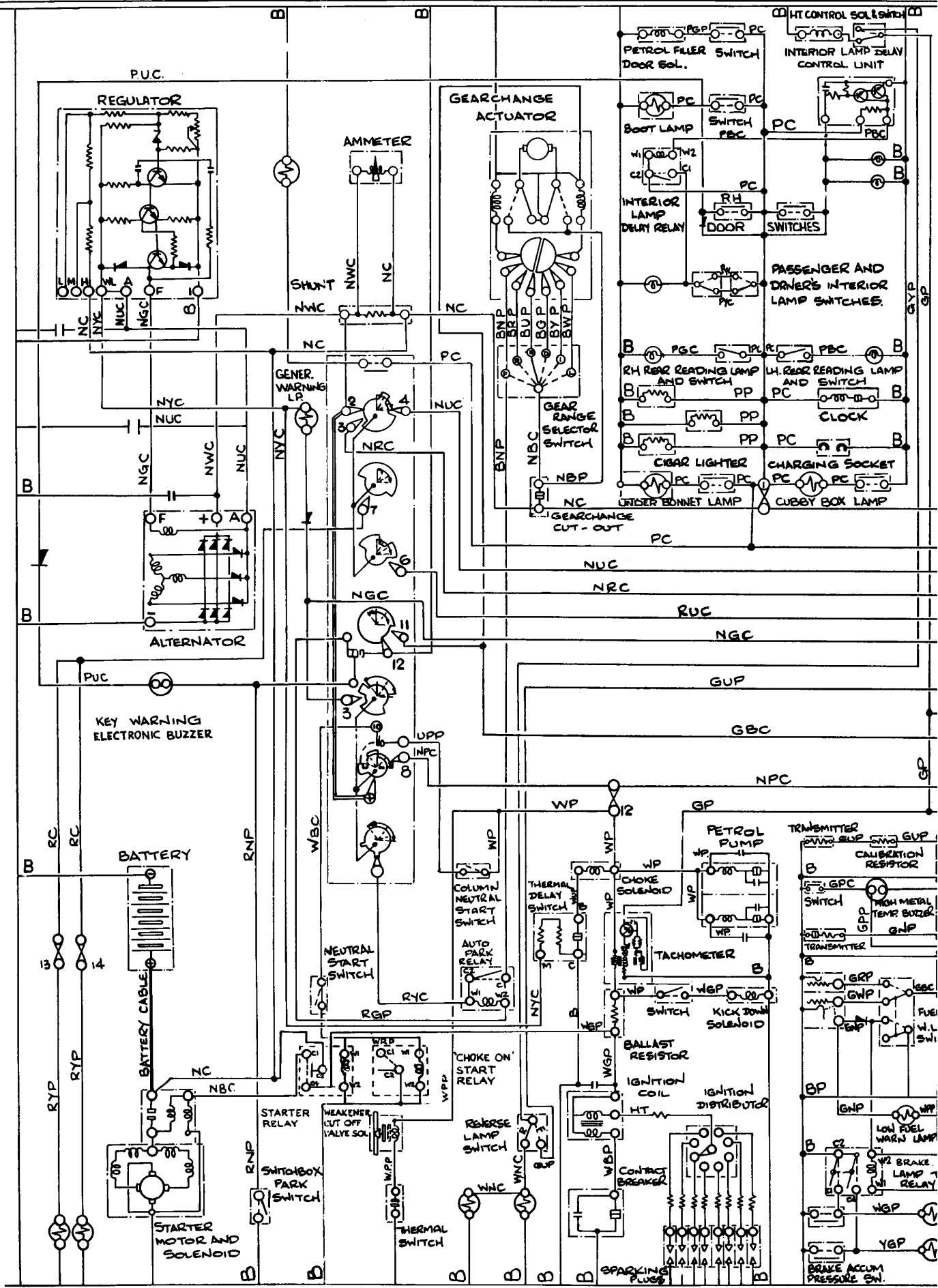
T.S.D. Publication 4050

"© Rolls-Royce Motors Limited 1974"

"This document is the property of Rolls-Royce Motors Limited and may not be copied or communicated to a third party or used for any purpose other than that for which it is supplied without the express written authority of Rolls-Royce Motors Limited."

"Whilst the information in this document given in good faith based upon the latest knowledge available to Rolls-Royce Motors Limited, Rolls-Royce Motors Limited gives no warranty or representation concerning such information, and such information must not be taken as establishing any contractual or other commitment on the part of Rolls-Royce Motors Limited."

GENERATOR AMMETER SWITCHBOX PETROL FILLER HEIGHT CONTROL
 SWITCHBOX ILLUMINATION PARK SWITCH DOOR INT. LAMPS CLOCK
 ILLUMINATION GEARCHANGE CIGAR LIGHTER CHARGING SOCKET

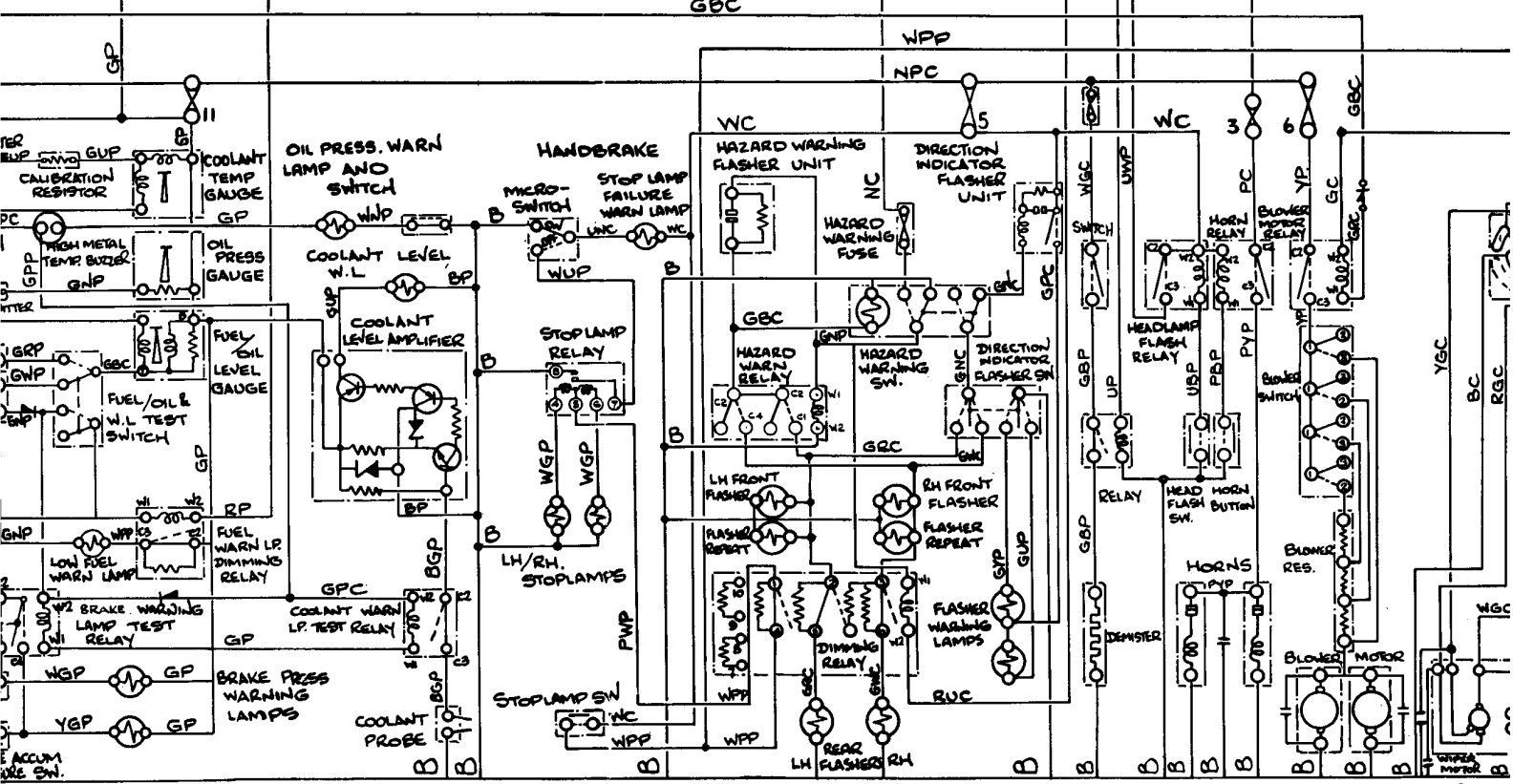
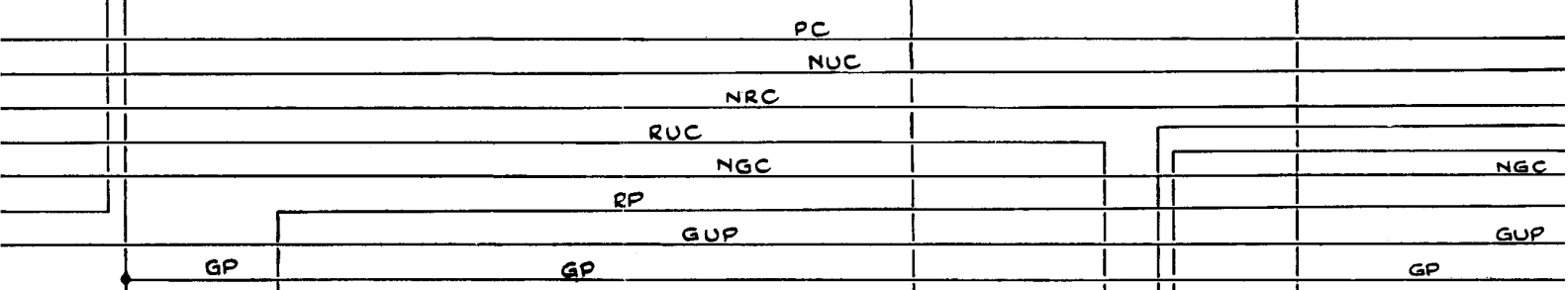
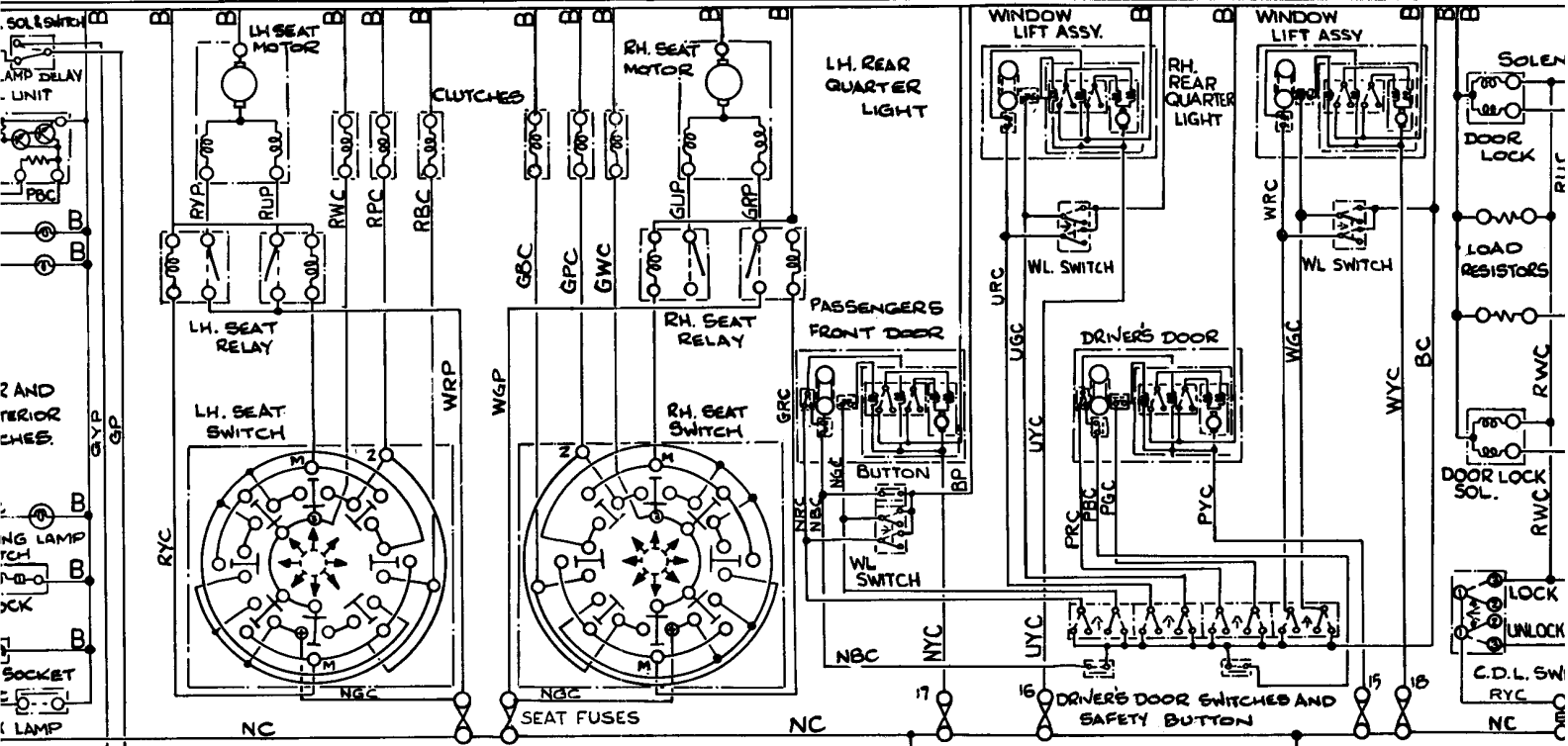


LH FOGLAMPS BATTERY STARTER WEAKENER CUT-OFF VALVE REVERSE LAMPS IGNITION STOP & WARNING LAMPS, HIGH METAL

IGNITION SOCKET

ELECTRICALLY OPERATED SEATS

ELECTRICAL WINDOW LIFTS



WARNING LAMPS FUEL, OIL PRESSURE, WATER TEMP. HIGH METAL TEMP. BUZZER, COOLANT PROBE

DIRECTION INDICATORS HAZARD WARNING

REAR WINDOW DEMISTER

HORNS

BLOWERS WINDSC (INCLUDING)

CENTRALISED DOOR & BOOT LID LOCKING

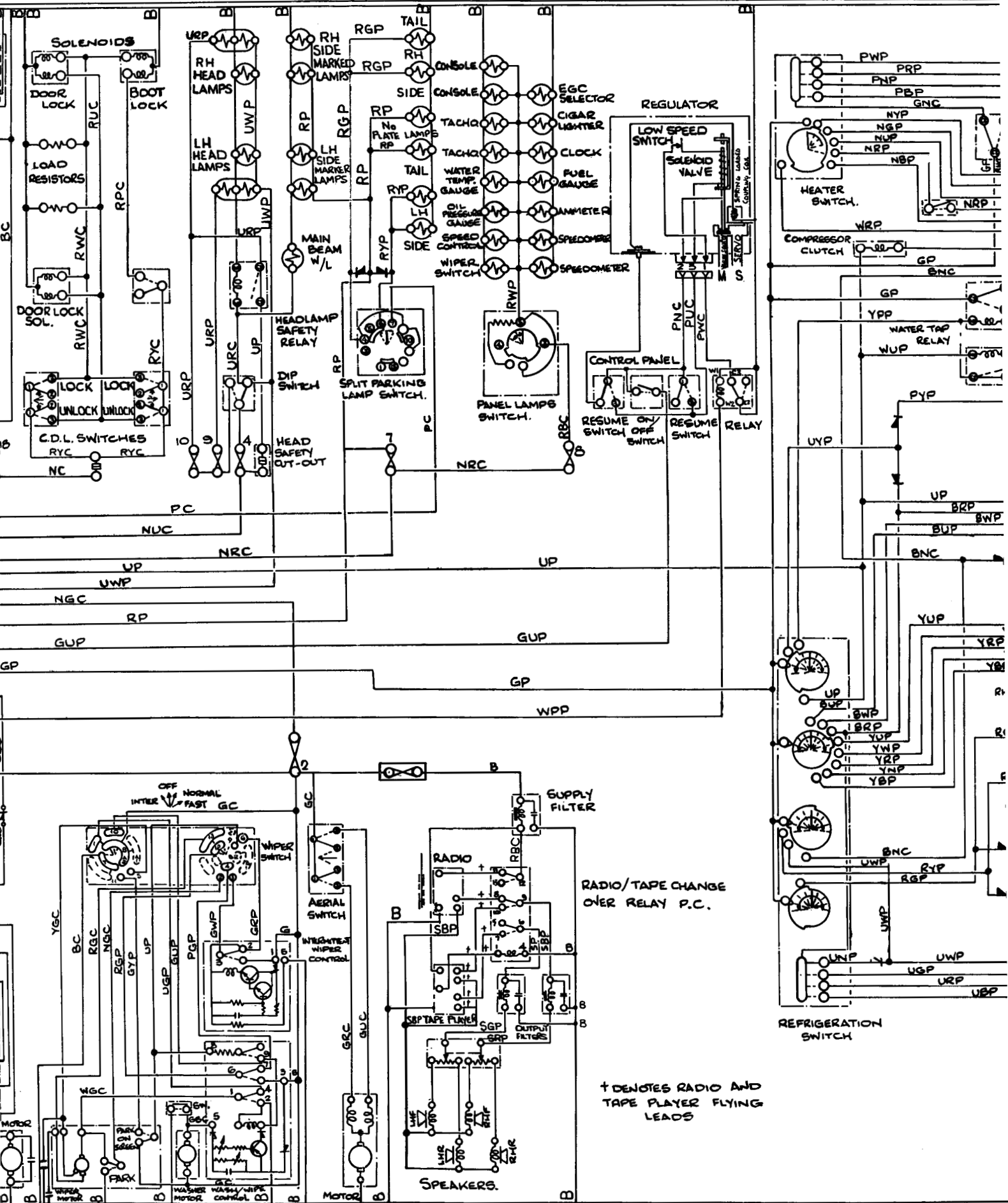
HEADLAMPS

SIDELAMPS

PANEL LAMPS

JMORS SPEED CONTROL

AIR CONDITIONING



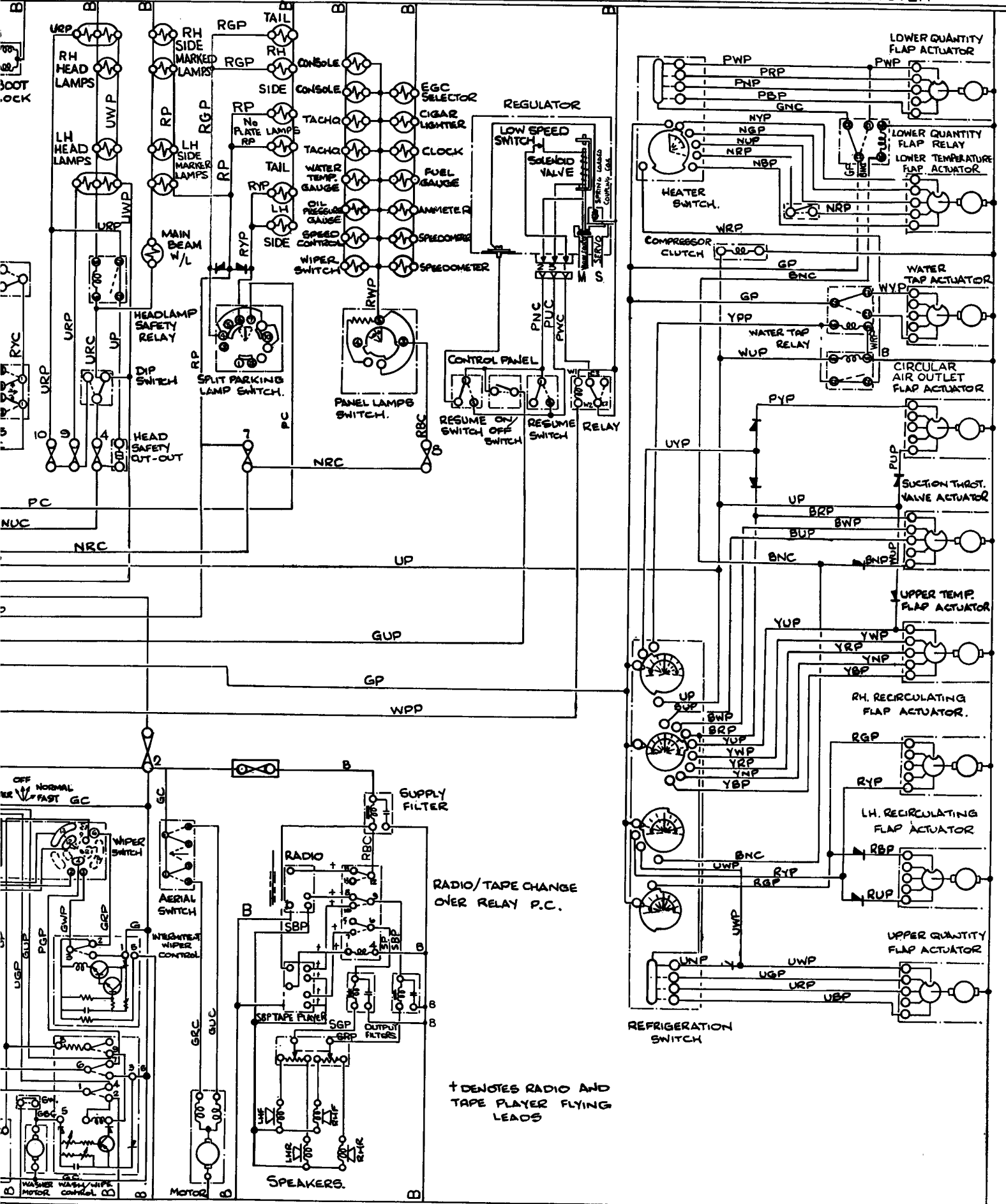
WINDSCREEN WIPER & WASHER (INCLUDING INTERMITTENT OPERATION)

AERIAL RADIO & TAPE PLAYER MONO RADIO STEREOTAPE

+ DENOTES RADIO AND TAPE PLAYER FLYING LEADS

DOOR
KING

HEADLAMPS SIDELAMPS PANEL LAMPS JMORS SPEED CONTROL AIR CONDITIONING SYSTEM



WIPER & WASHER (INTERMITTENT OPERATION) AERIAL RADIO & TAPE PLAYER MONO RADIO STEREOTAPE

THEORETICAL WIRING DIAGRAM

Sheet 6

For
Rolls-Royce Corniche Convertible
and
Bentley Corniche Convertible

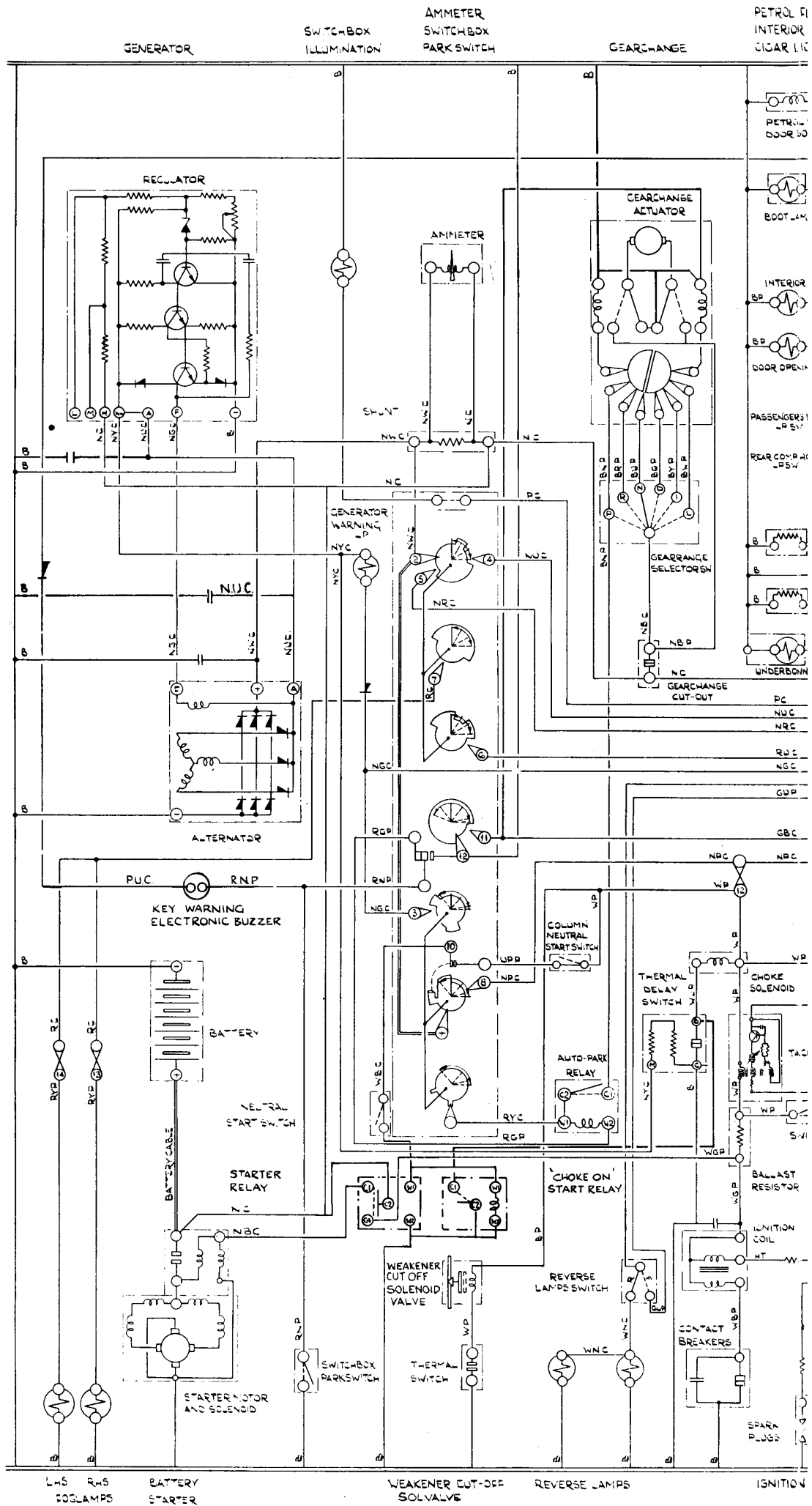
**LEFT-HAND DRIVE CARS FOR COUNTRIES
OTHER THAN USA AND CANADA FROM
CAR SERIAL NUMBER 16214**

T.S.D. Publication 4051

"© Rolls-Royce Motors Limited 1974"

"This document is the property of Rolls-Royce Motors Limited and may not be copied or communicated to a third party or used for any purpose other than that for which it is supplied without the express written authority of Rolls-Royce Motors Limited."

"Whilst the information in this document given in good faith based upon the latest knowledge available to Rolls-Royce Motors Limited. Rolls-Royce Motors Limited gives no warranty or representation concerning such information, and such information must not be taken as establishing any contractual or other commitment on the part of Rolls-Royce Motors Limited."

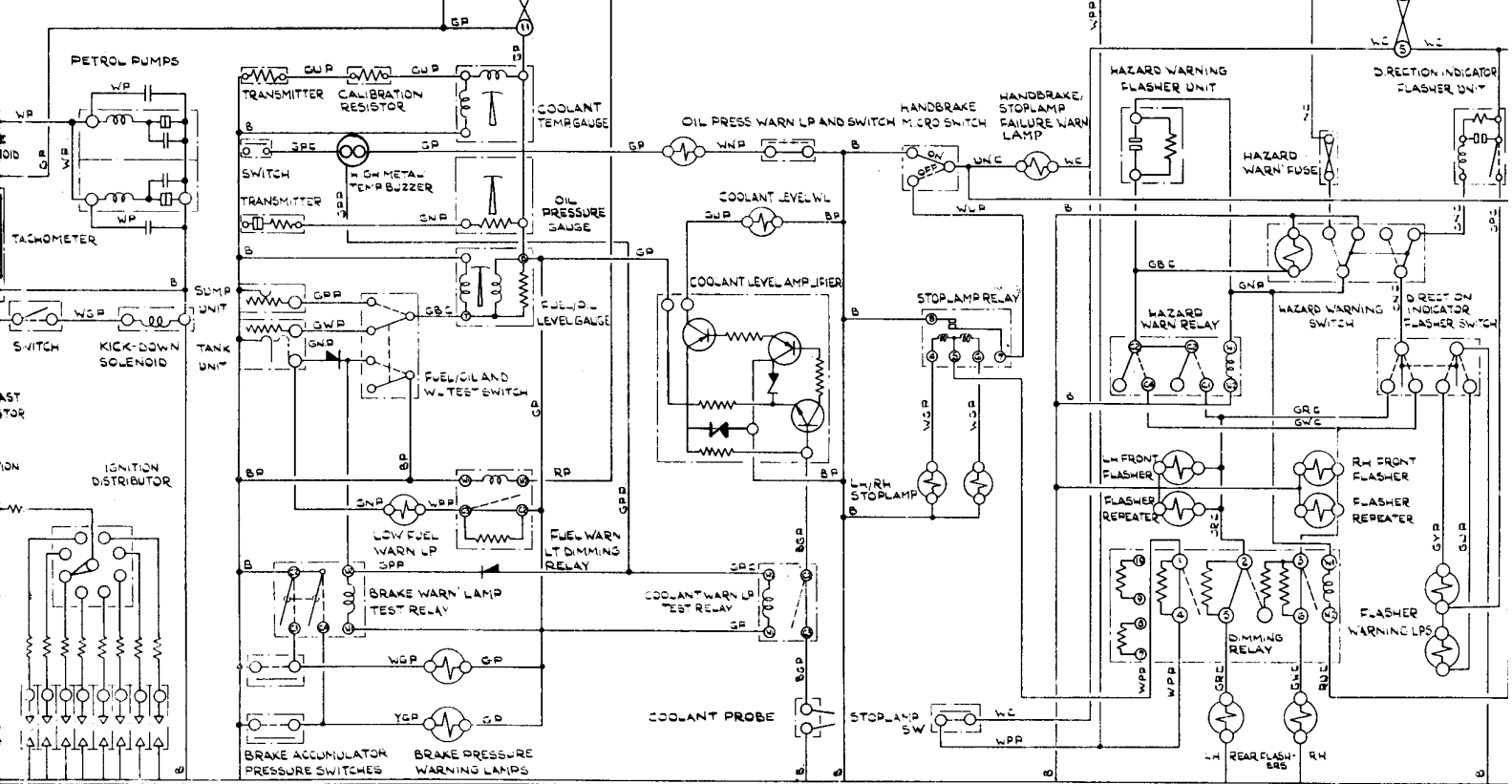
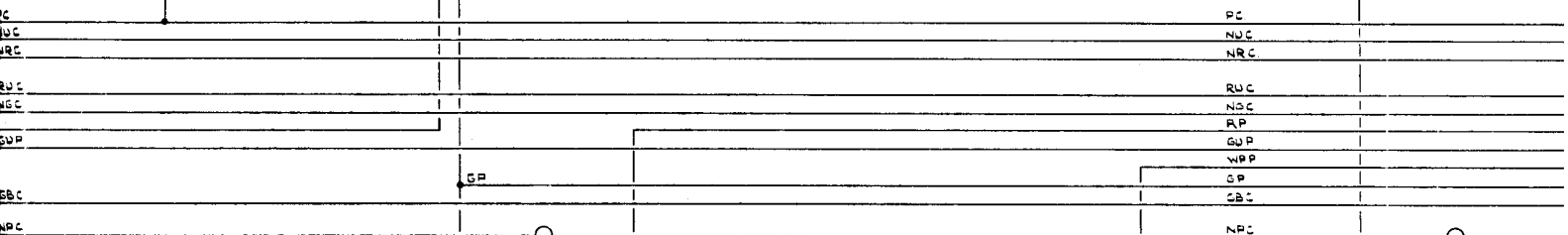
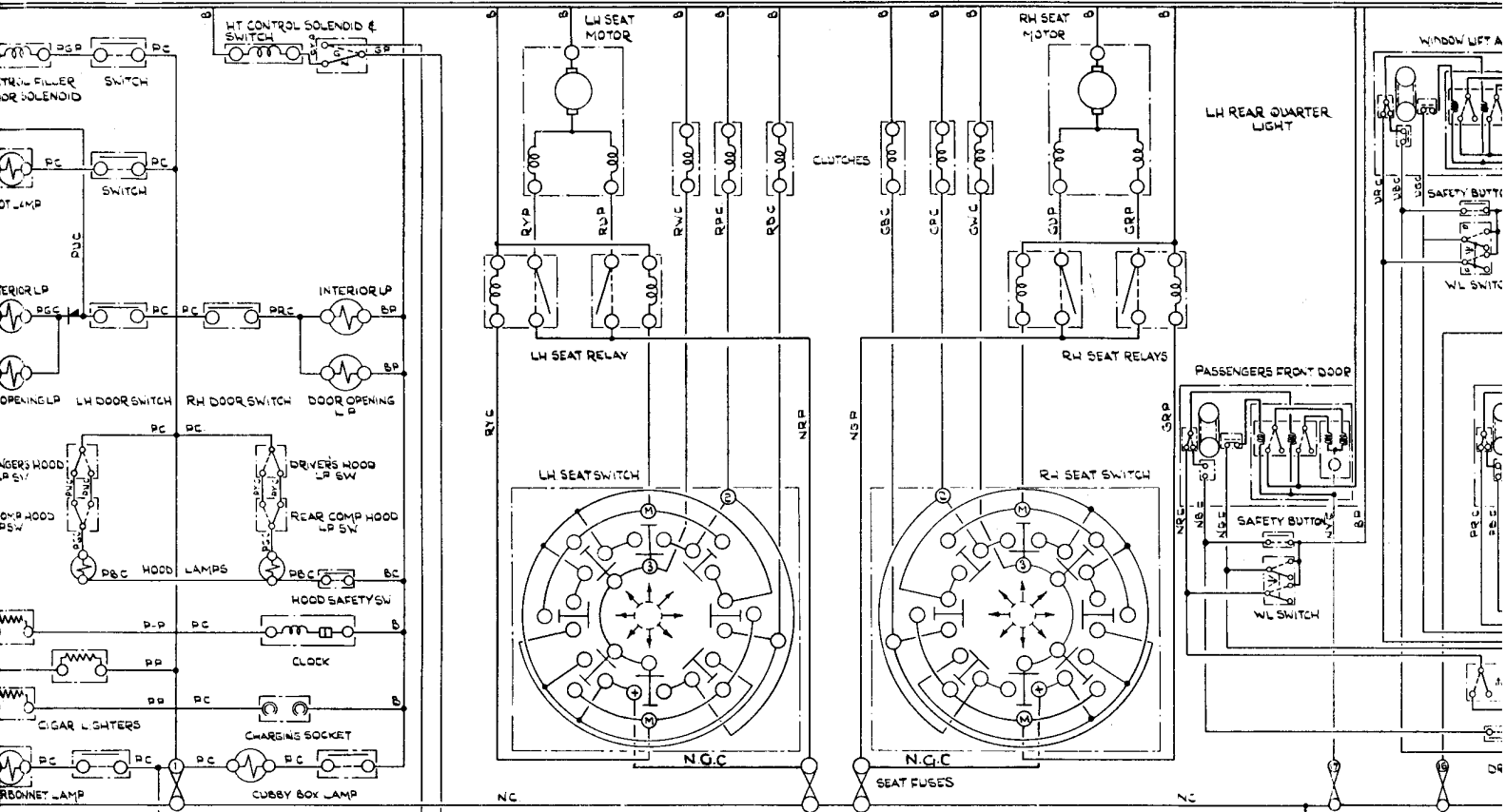


FUEL FILLER DOOR
FRONT LAMPS
CIGAR LIGHTERS

HEIGHT CONTROL
CLOCK
CHARGING SOCKET

ELECTRICALLY OPERATED SEATS

ELECTRIC WINDOWS



STOPLAMPS WARNING LAMPS FUEL-OIL PRESSURE WATER TEMP
GAUGES HIGH METAL TEMPERATURE BUZZER COOLANT PROBE

DIRECTION INDICATORS HAZARD WARNING

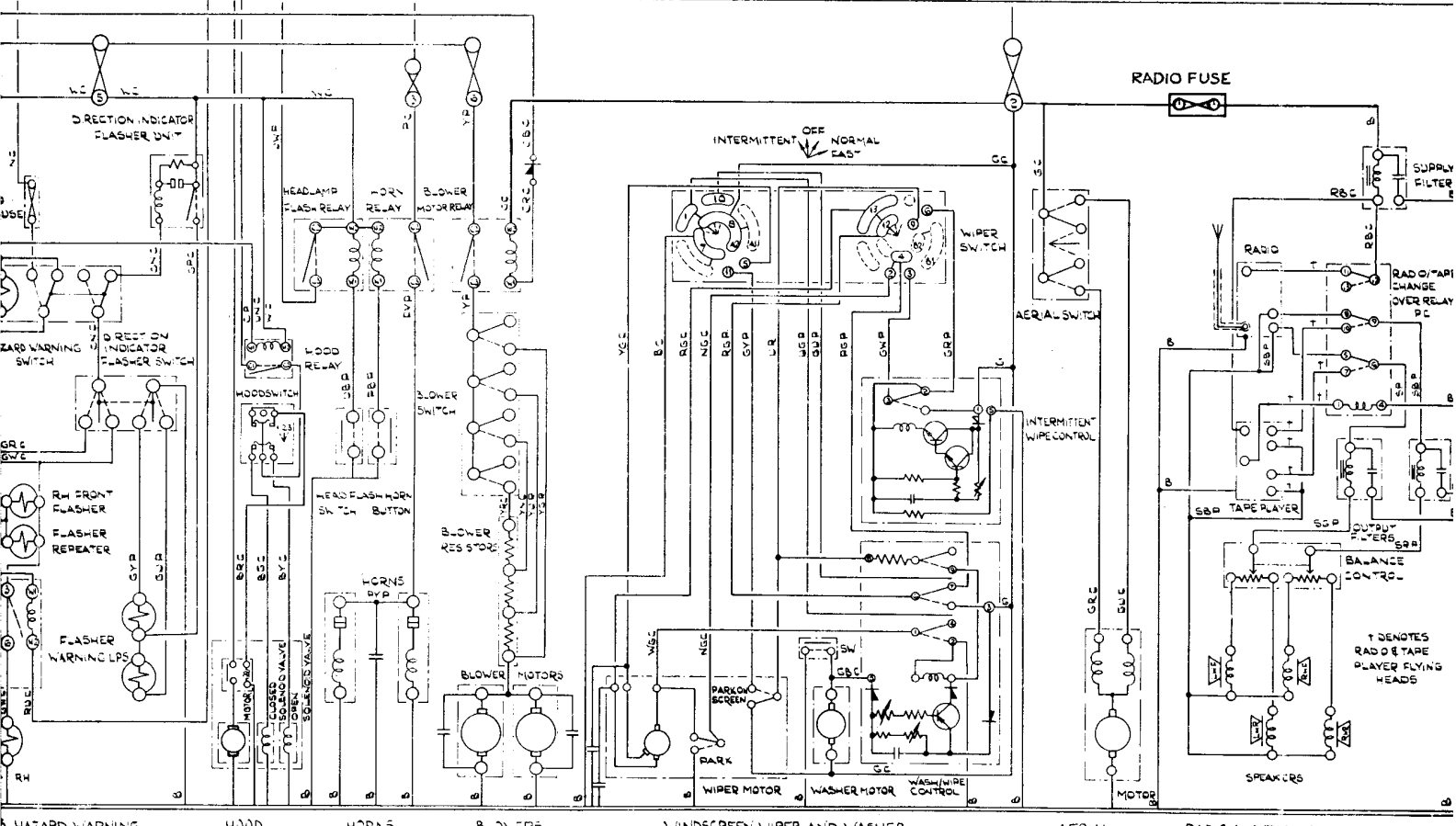
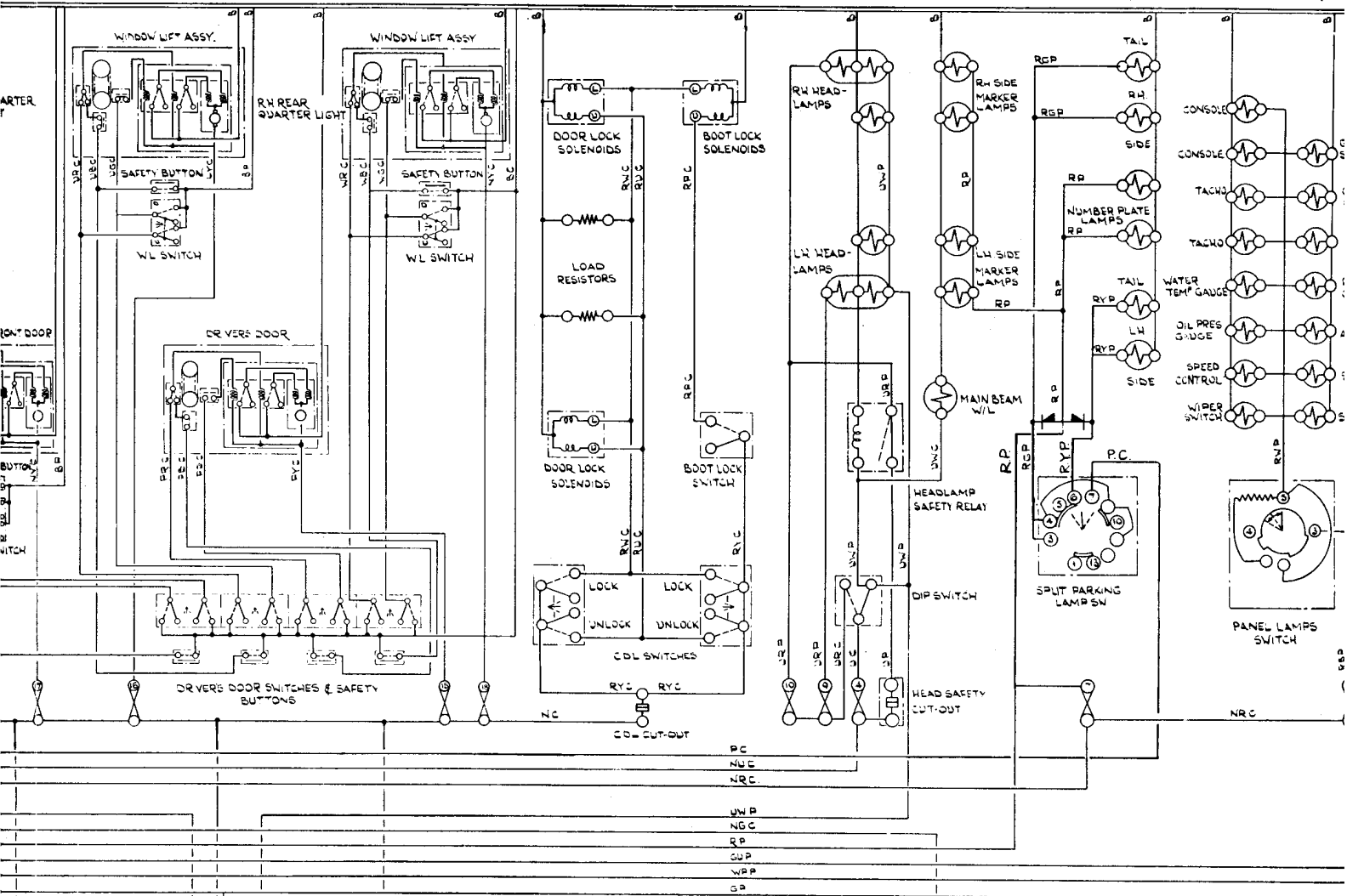
ELECTRIC WINDOW LIFTS

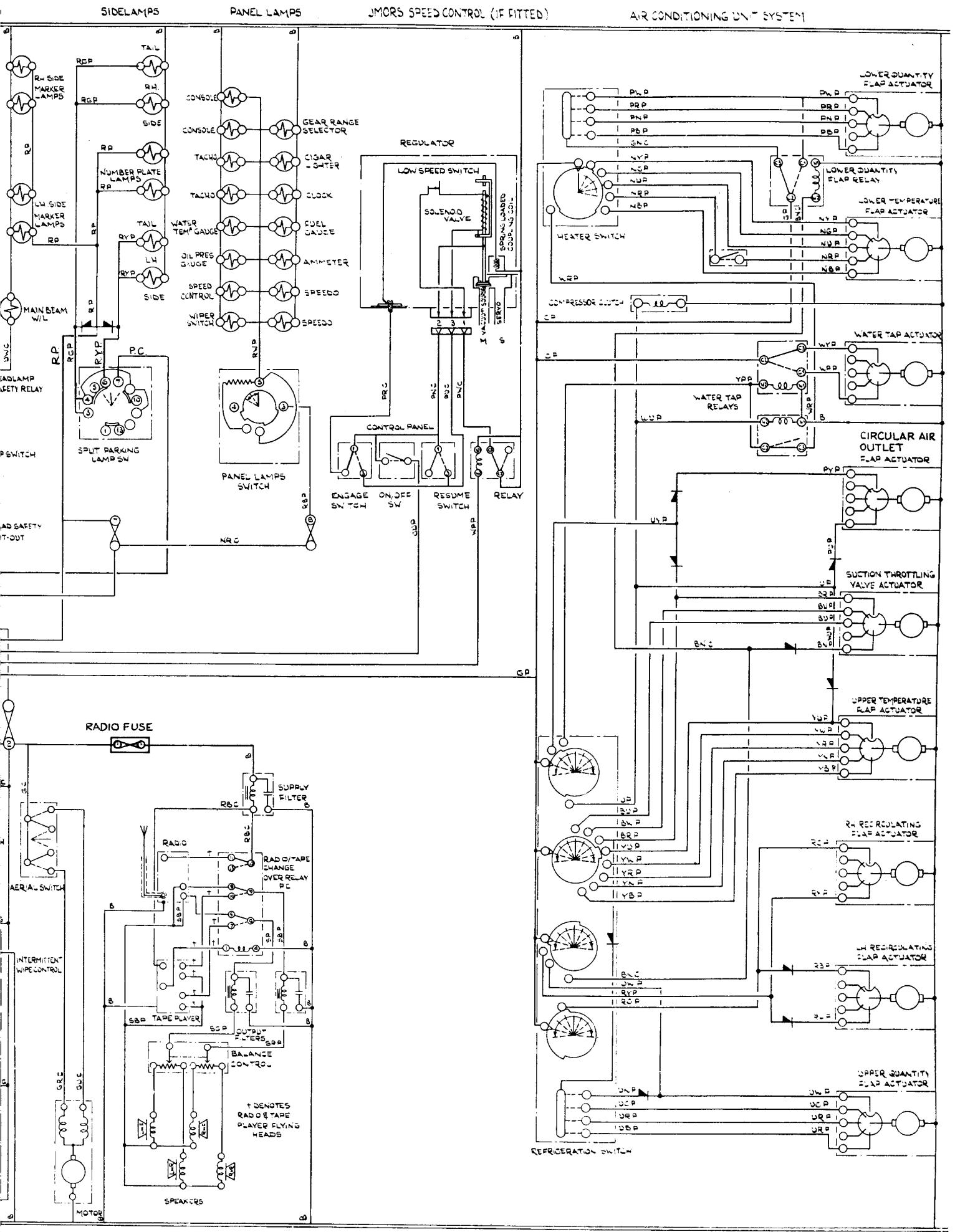
CENTRALISED DOOR & BOOT LID LOCKING

HEADLAMPS

SIDELAMPS

PANEL LAMPS





SIDELAMPS

PANEL LAMPS

JMOORS SPEED CONTROL (IF FITTED)

AIR CONDITIONING UNIT SYSTEM

RADIO FUSE

REFRIGERATION SWITCH

AERIAL RADIO AND TAPE PLAYER BOTH STEREO

THEORETICAL WIRING DIAGRAM

Sheet 7

For
Rolls-Royce Corniche Convertible
and
Bentley Corniche Convertible

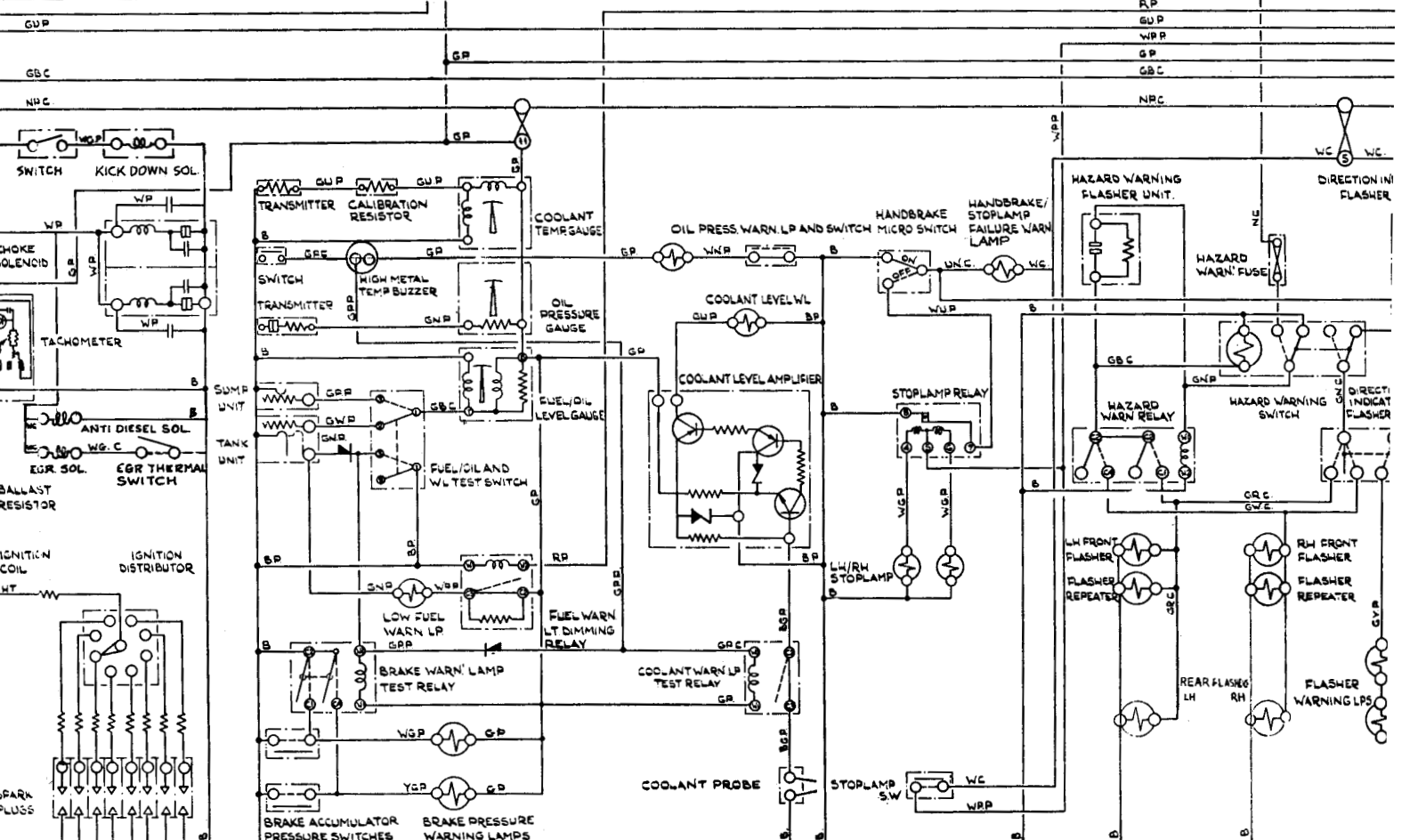
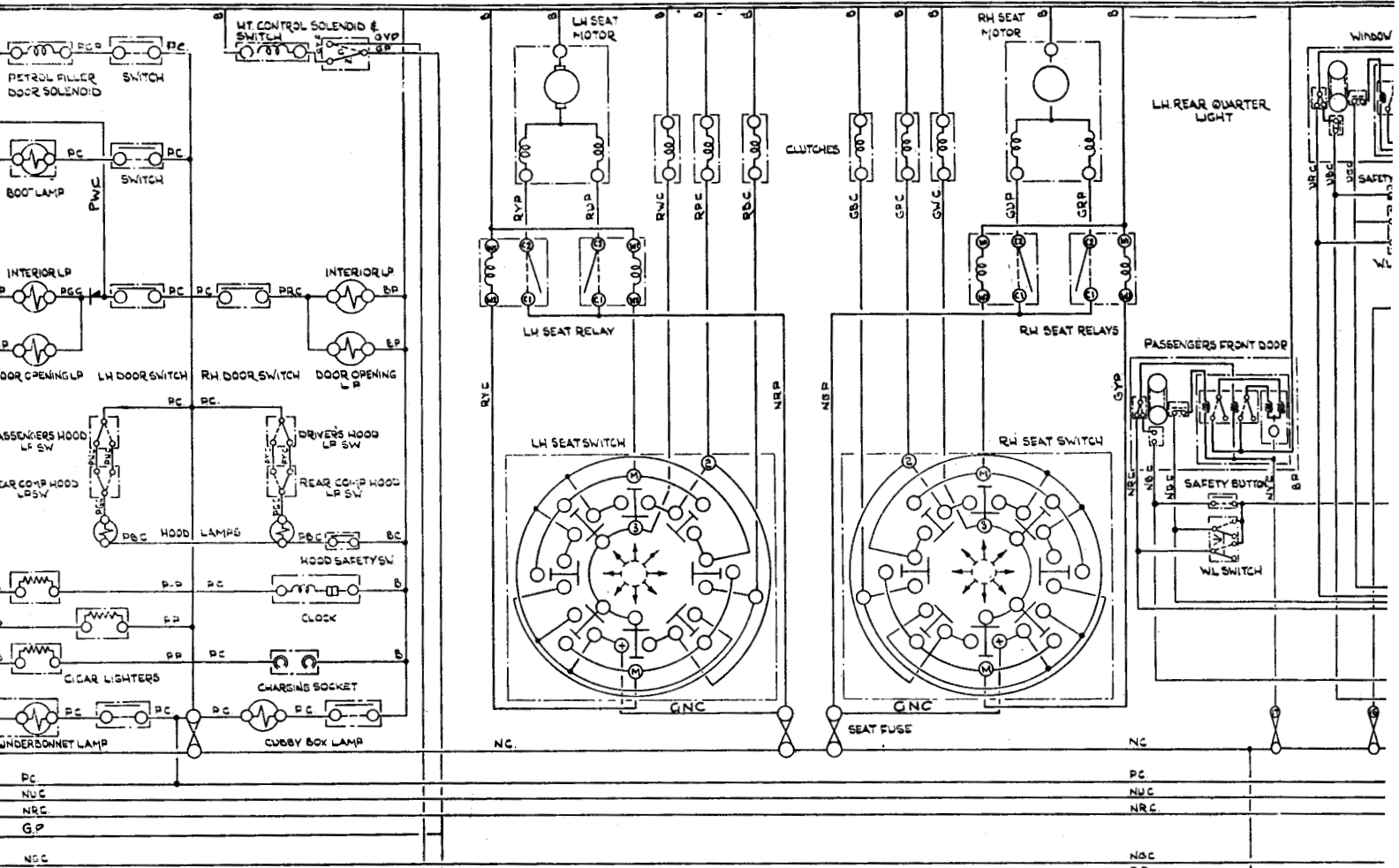
**LEFT-HAND DRIVE CARS FOR USA AND
CANADA FROM CAR SERIAL NUMBER
16214**

T.S.D. Publication 4053

"© Rolls-Royce Motors Limited 1974"

"This document is the property of Rolls-Royce Motors Limited and may not be copied or communicated to a third party or used for any purpose other than that for which it is supplied without the express written authority of Rolls-Royce Motors Limited."

"Whilst the information in this document given in good faith based upon the latest knowledge available to Rolls-Royce Motors Limited, Rolls-Royce Motors Limited gives no warranty or representation concerning such information, and such information must not be taken as establishing any contractual or other commitment on the part of Rolls-Royce Motors Limited."



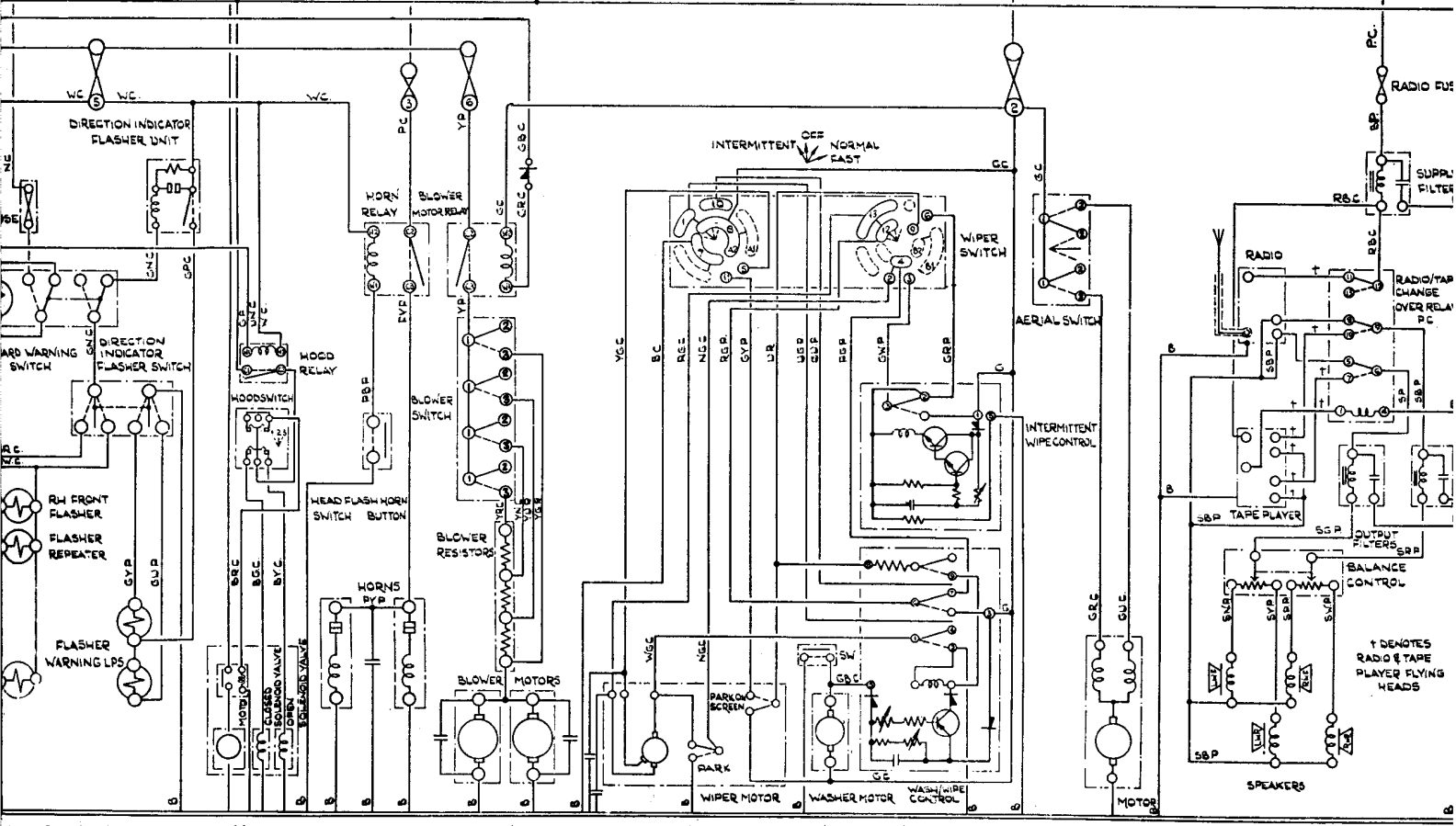
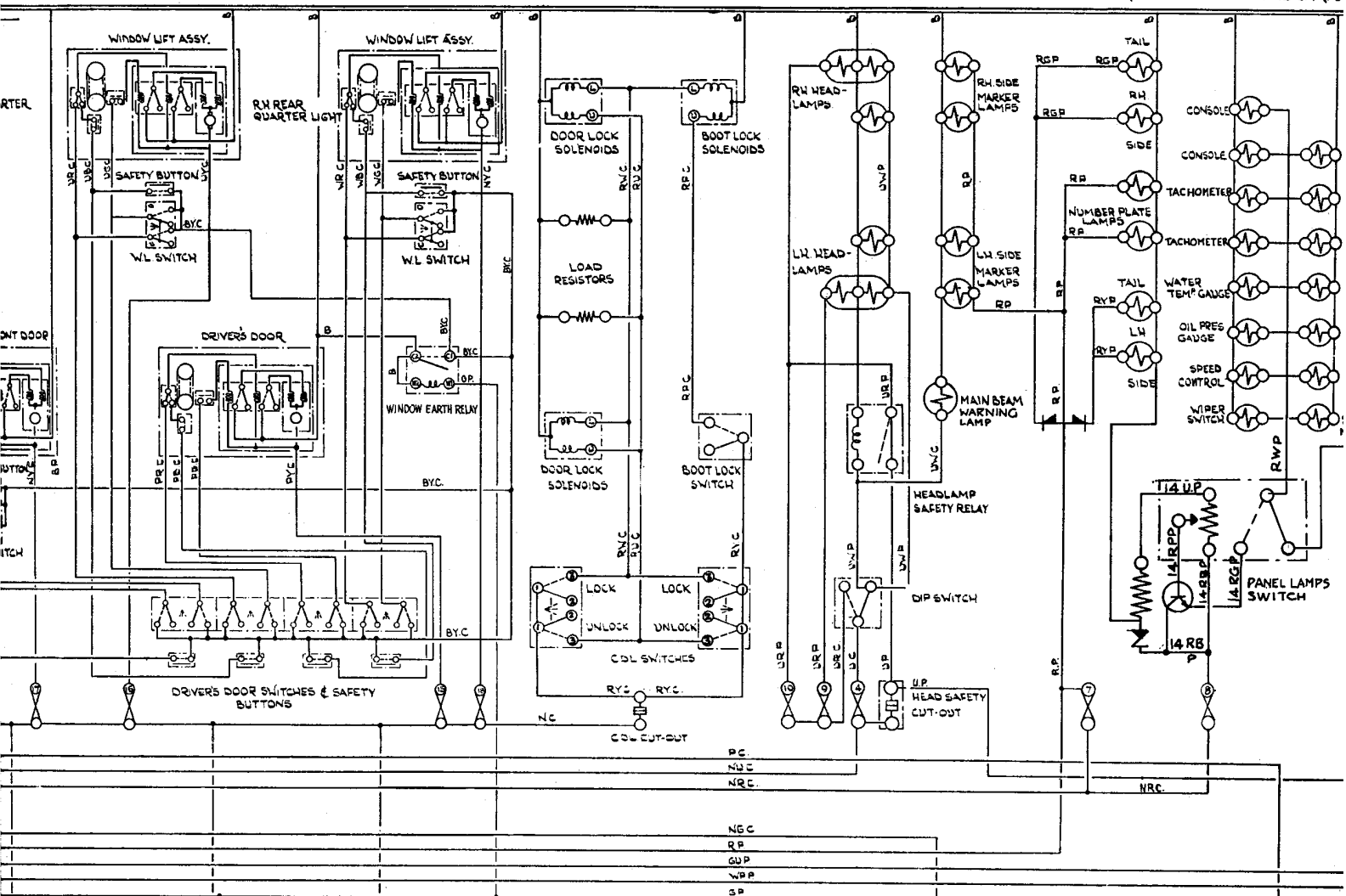
ELECTRIC WINDOW LIFTS

CENTRALISED DOOR & BOOT LID LOCKING

HEADLAMPS

SIDELAMPS

PANEL LAMPS

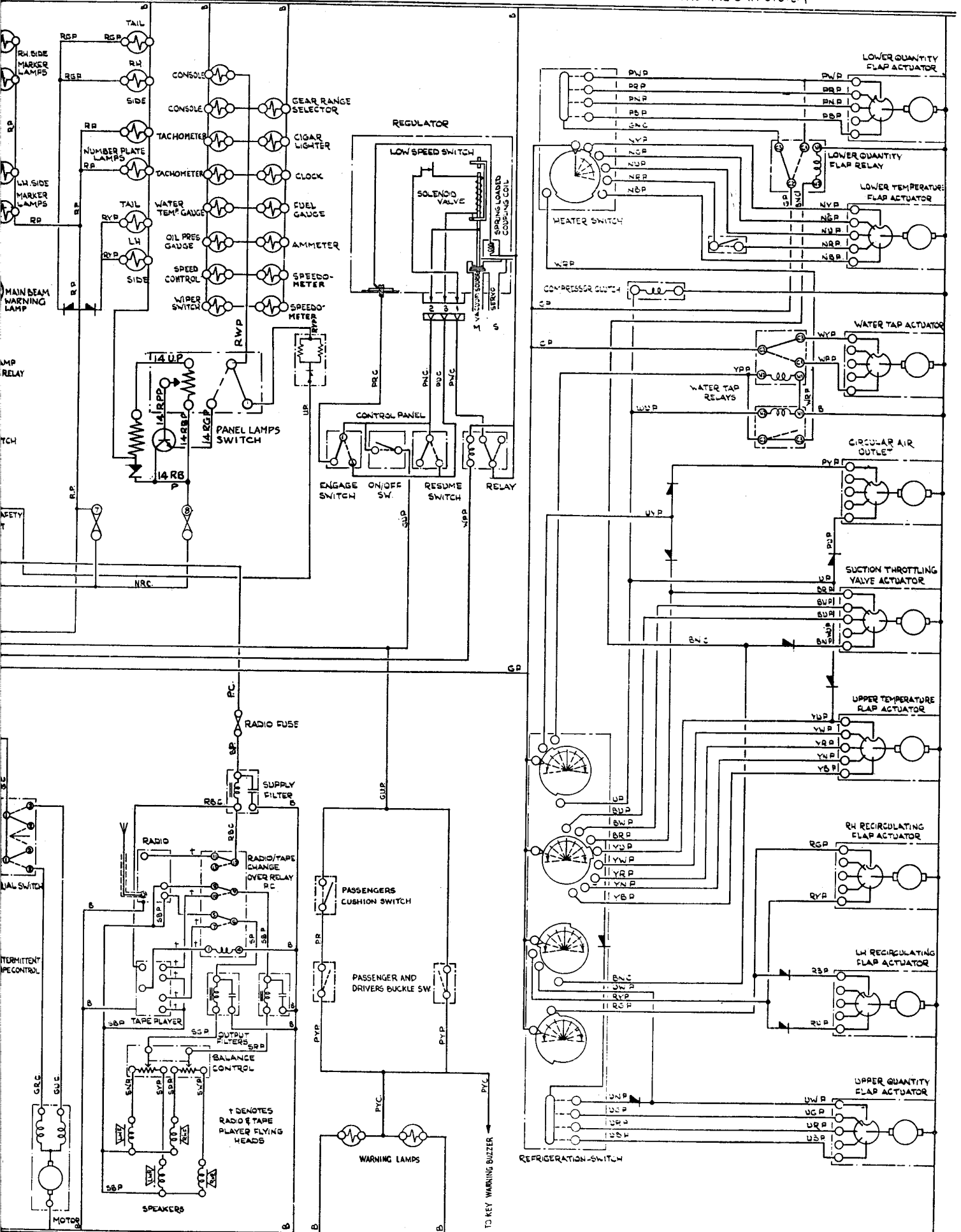


SIDELAMPS

PANEL LAMPS

JMORS SPEED CONTROL (IF FITTED)

AIR CONDITIONING UNIT SYSTEM



AERIAL RADIO AND TAPE PLAYER - BOTH STEREO

SEATBELT WARNING

THEORETICAL WIRING DIAGRAM

Sheet 8

For
Rolls-Royce Corniche Convertible
and
Bentley Corniche Convertible

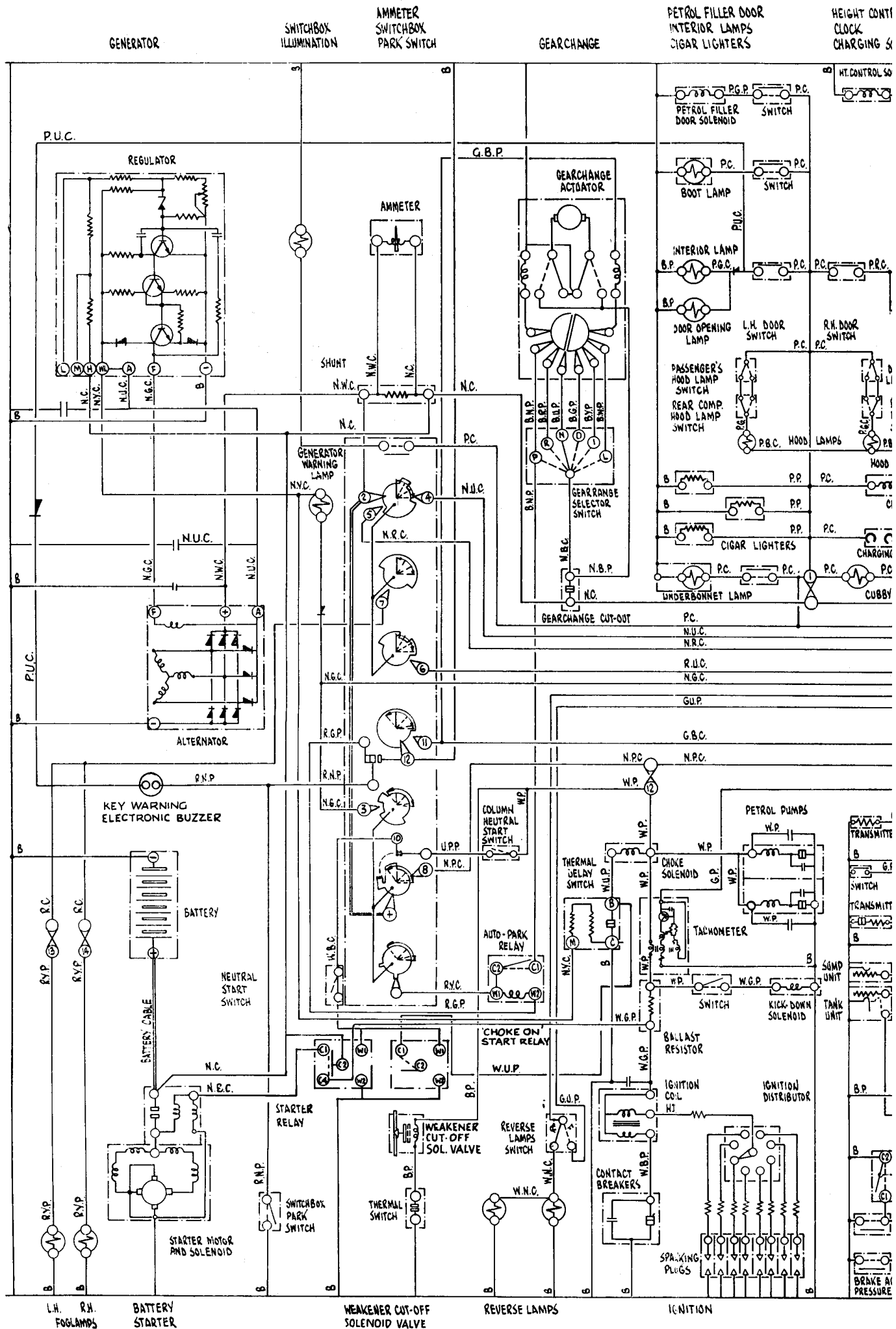
RIGHT-HAND DRIVE CARS FROM CAR SERIAL NUMBER 16214

T.S.D. Publication 4049

“© Rolls-Royce Motors Limited 1974”

“This document is the property of Rolls-Royce Motors Limited and may not be copied or communicated to a third party or used for any purpose other than that for which it is supplied without the express written authority of Rolls-Royce Motors Limited.”

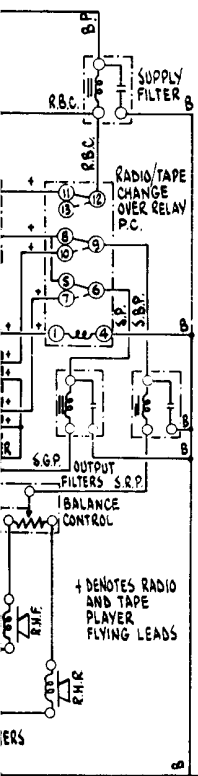
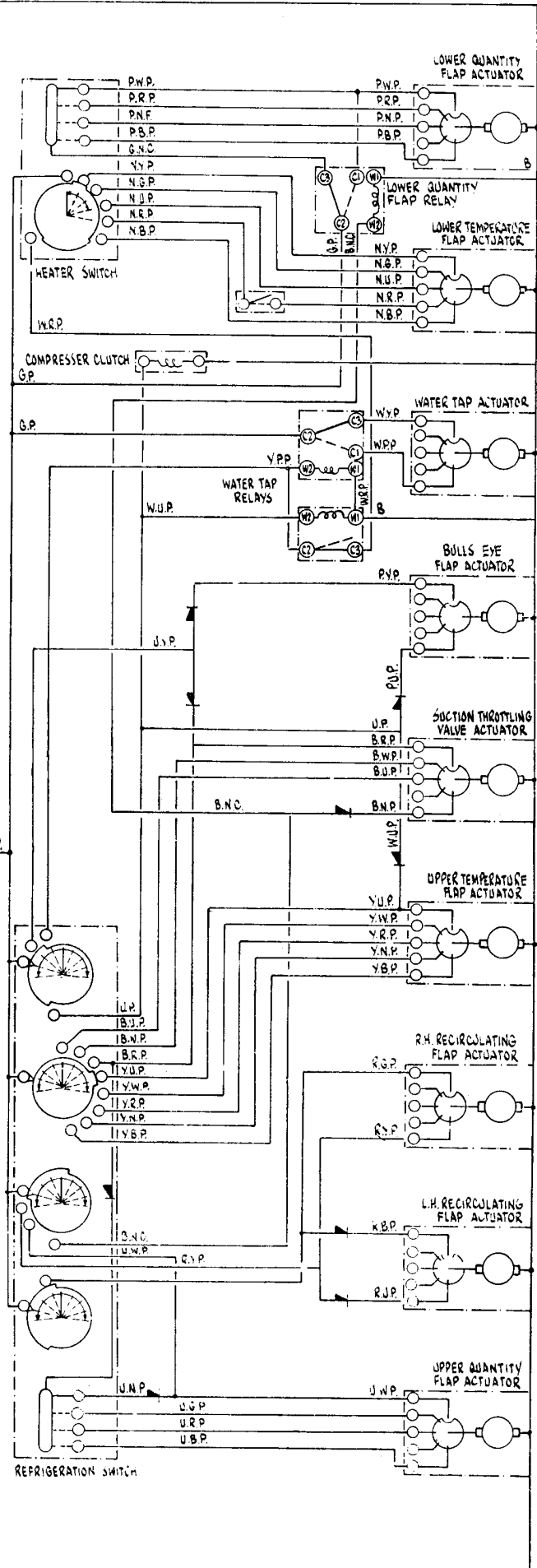
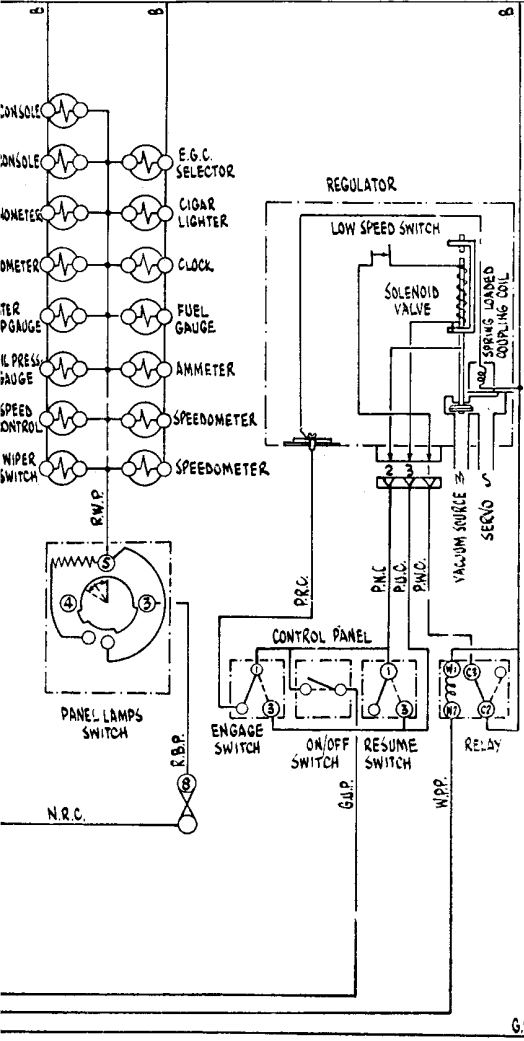
“Whilst the information in this document given in good faith based upon the latest knowledge available to Rolls-Royce Motors Limited. Rolls-Royce Motors Limited gives no warranty or representation concerning such information, and such information must not be taken as establishing any contractual or other commitment on the part of Rolls-Royce Motors Limited.”



PANEL LAMPS

TMORS SPEED CONTROL

AIR CONDITIONING UNIT SYSTEM



TAPE PLAYER AND STEREO TAPE

THEORETICAL WIRING DIAGRAM

Sheet 9

For
Rolls-Royce Silver Shadow
and
Bentley T Series

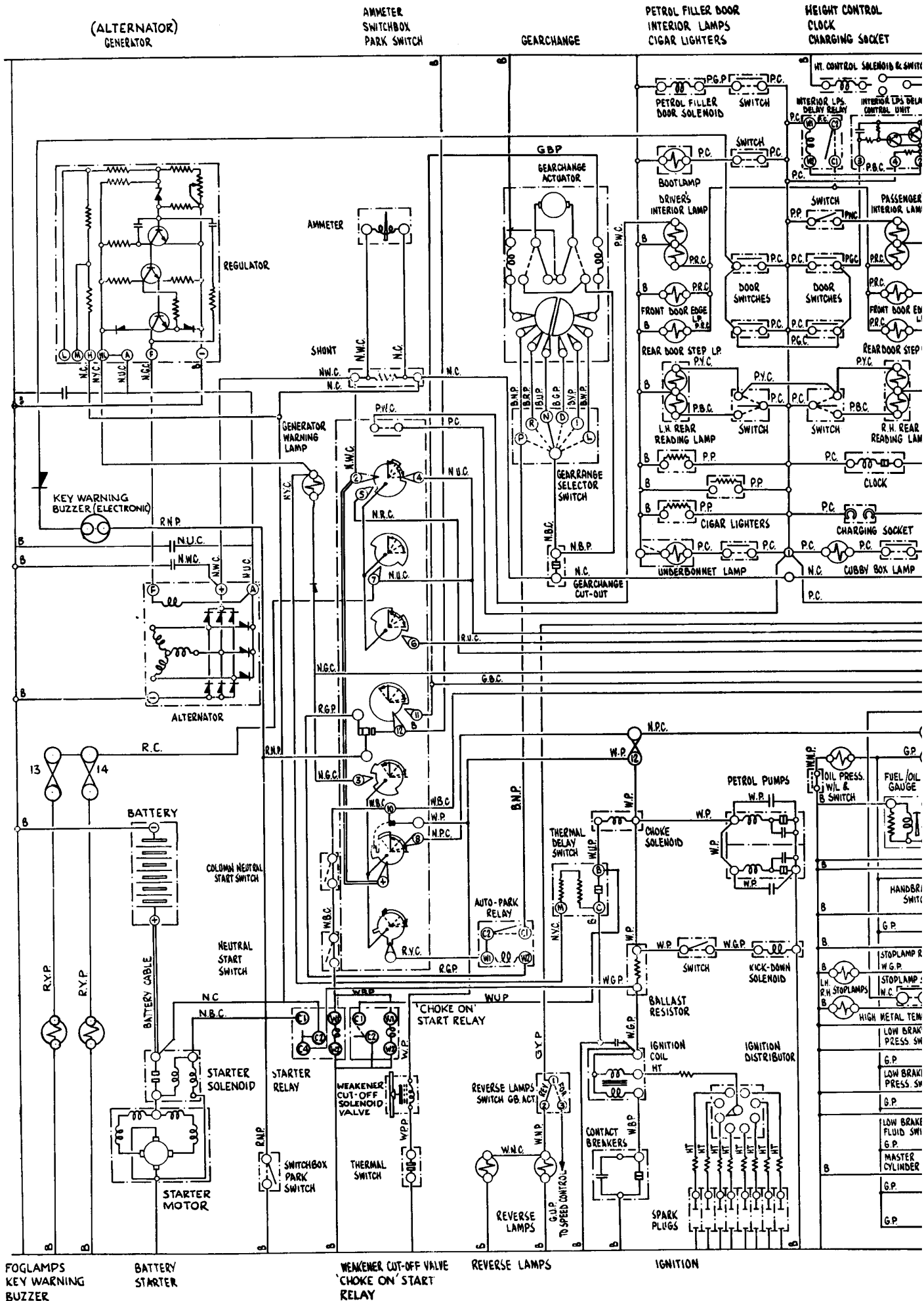
**LEFT-HAND DRIVE SALOON AND LONG
WHEELBASE NON-DIVISION CARS FOR
COUNTRIES OTHER THAN USA AND
CANADA FROM CAR SERIAL NUMBER
16214**

T.S.D. Publication 4030

"© Rolls-Royce Motors Limited 1974"

"This document is the property of Rolls-Royce Motors Limited and may not be copied or communicated to a third party or used for any purpose other than that for which it is supplied without the express written authority of Rolls-Royce Motors Limited."

"Whilst the information in this document given in good faith based upon the latest knowledge available to Rolls-Royce Motors Limited, Rolls-Royce Motors Limited gives no warranty or representation concerning such information, and such information must not be taken as establishing any contractual or other commitment on the part of Rolls-Royce Motors Limited."



FOGLAMPS
KEY WARNING
BUZZER

BATTERY
STARTER

WEAKENER CUT-OFF VALVE
CHOKES ON START
RELAY

REVERSE LAMPS

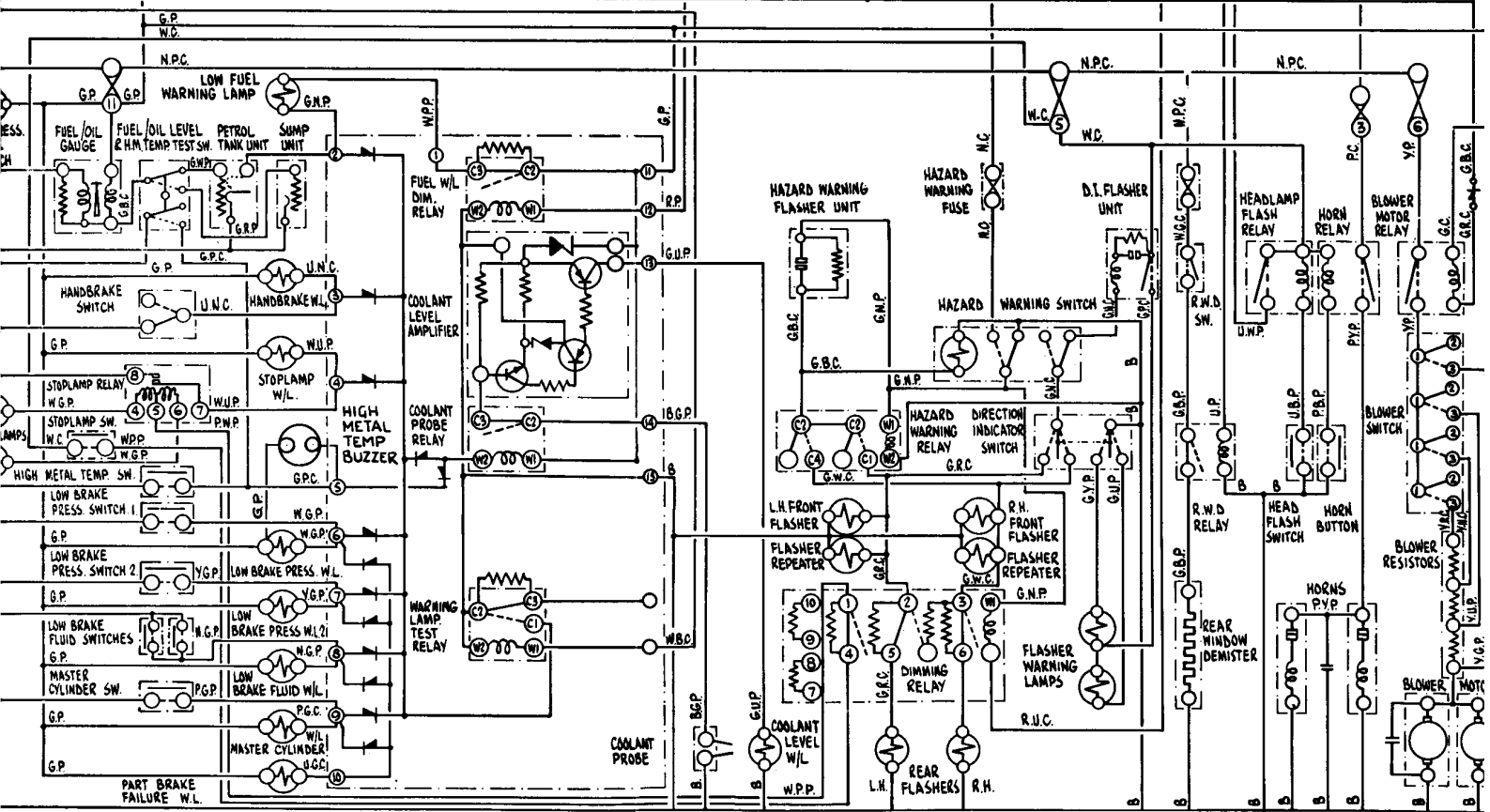
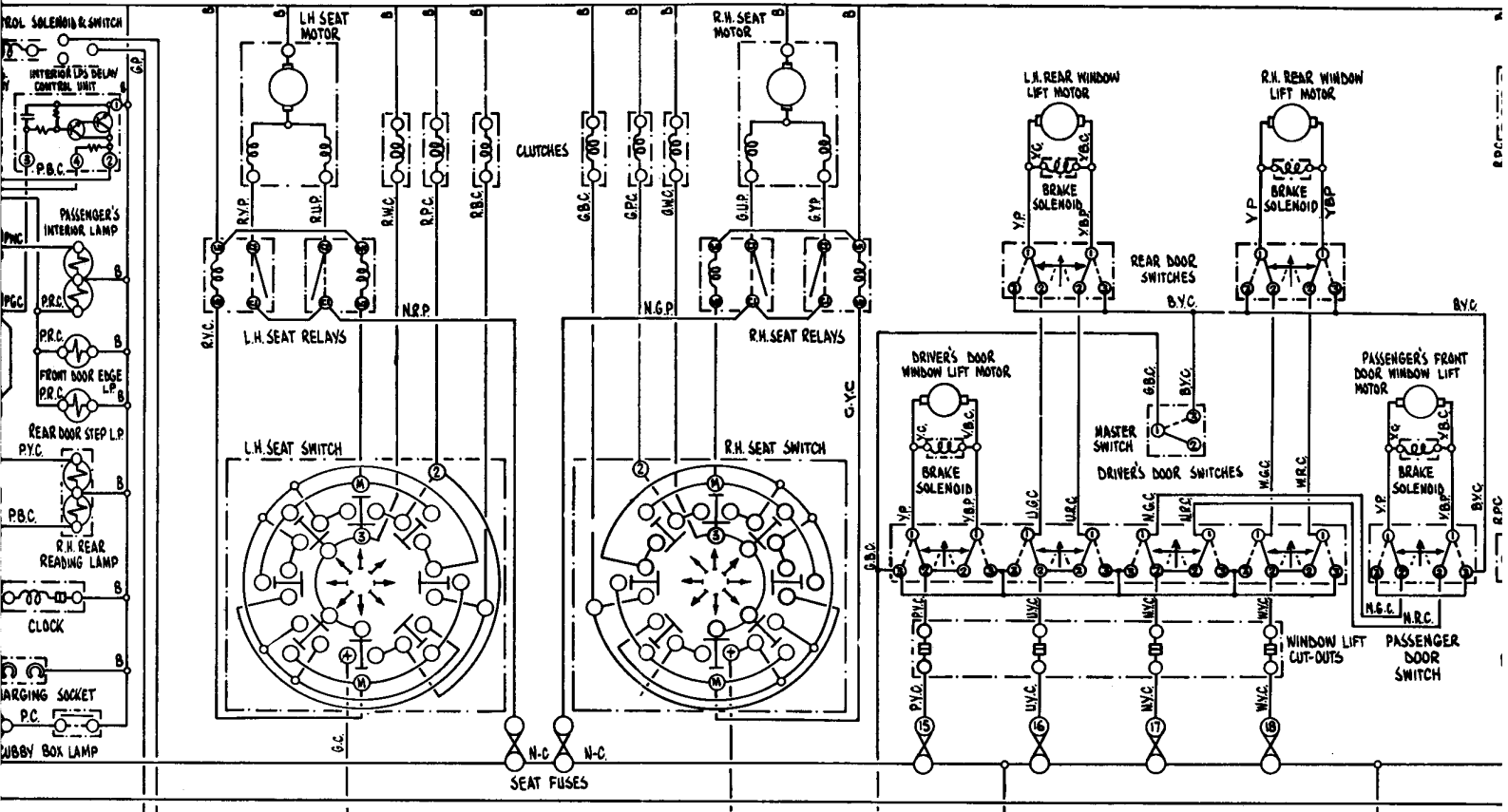
IGNITION

CONTROL

MG SOCKET

ELECTRICALLY OPERATED SEATS

ELECTRIC WINDOW LIFTS WITH P.M. MOTORS



STOPLAMPS, WARNING LAMPS, FUEL GAUGE, HIGH METAL TEMPERATURE BUZZER, COOLANT PROBE.

DIRECTION INDICATORS, HAZARD WARNING

REAR WINDOW DEMISTER

HORNS

BLOWER MOTORS

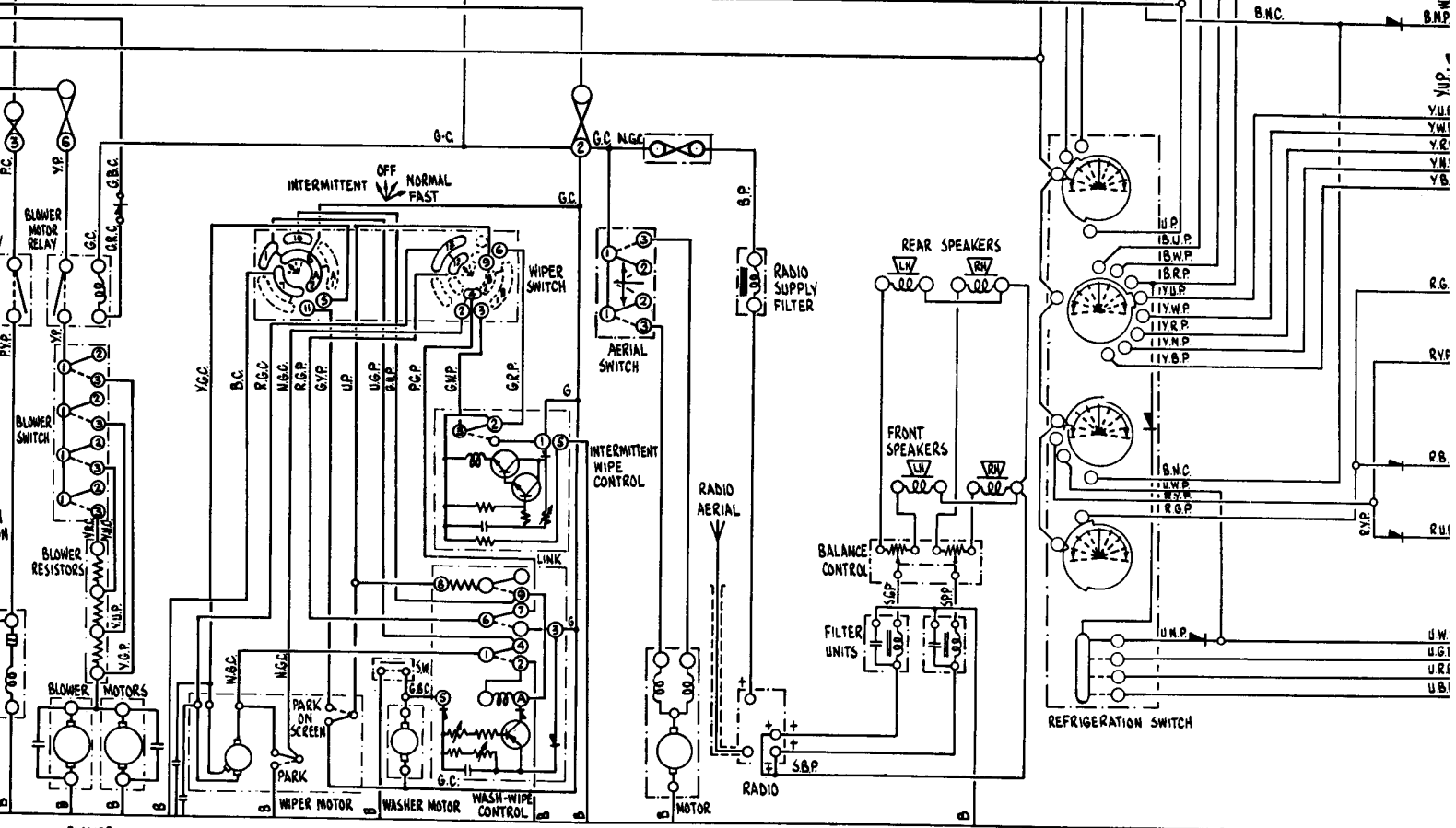
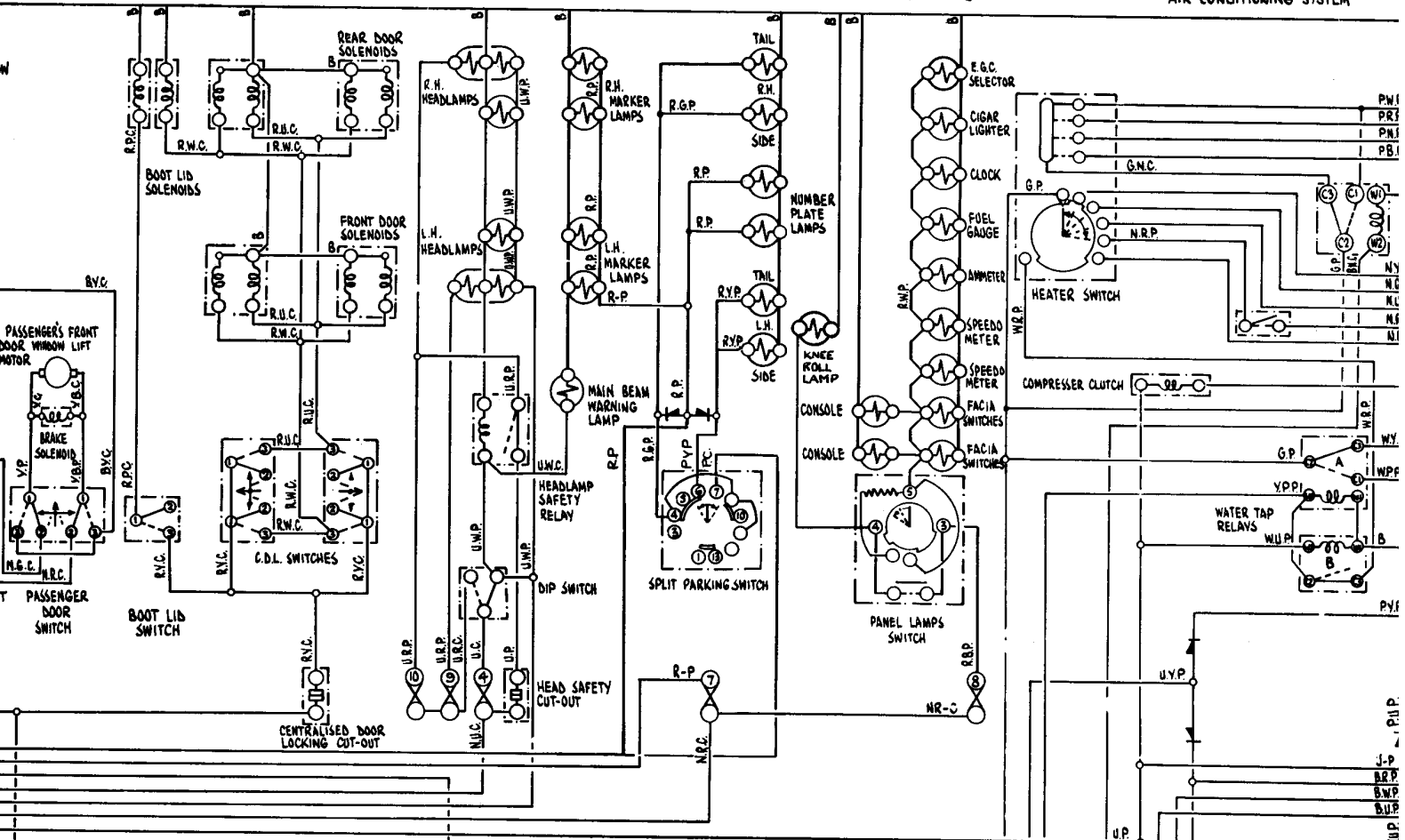
CENTRALISED DOOR & BOOT LID LOCKING

HEADLAMPS

SIDELAMPS

PANEL LAMPS

AIR CONDITIONING SYSTEM



BLOWER MOTORS

WINDSCREEN WIPER (INCLUDING INTERMITTENT OPERATION) AND WASHER

AERIAL

STEREO RADIO

† DENOTES RADIO FLYING LEAD

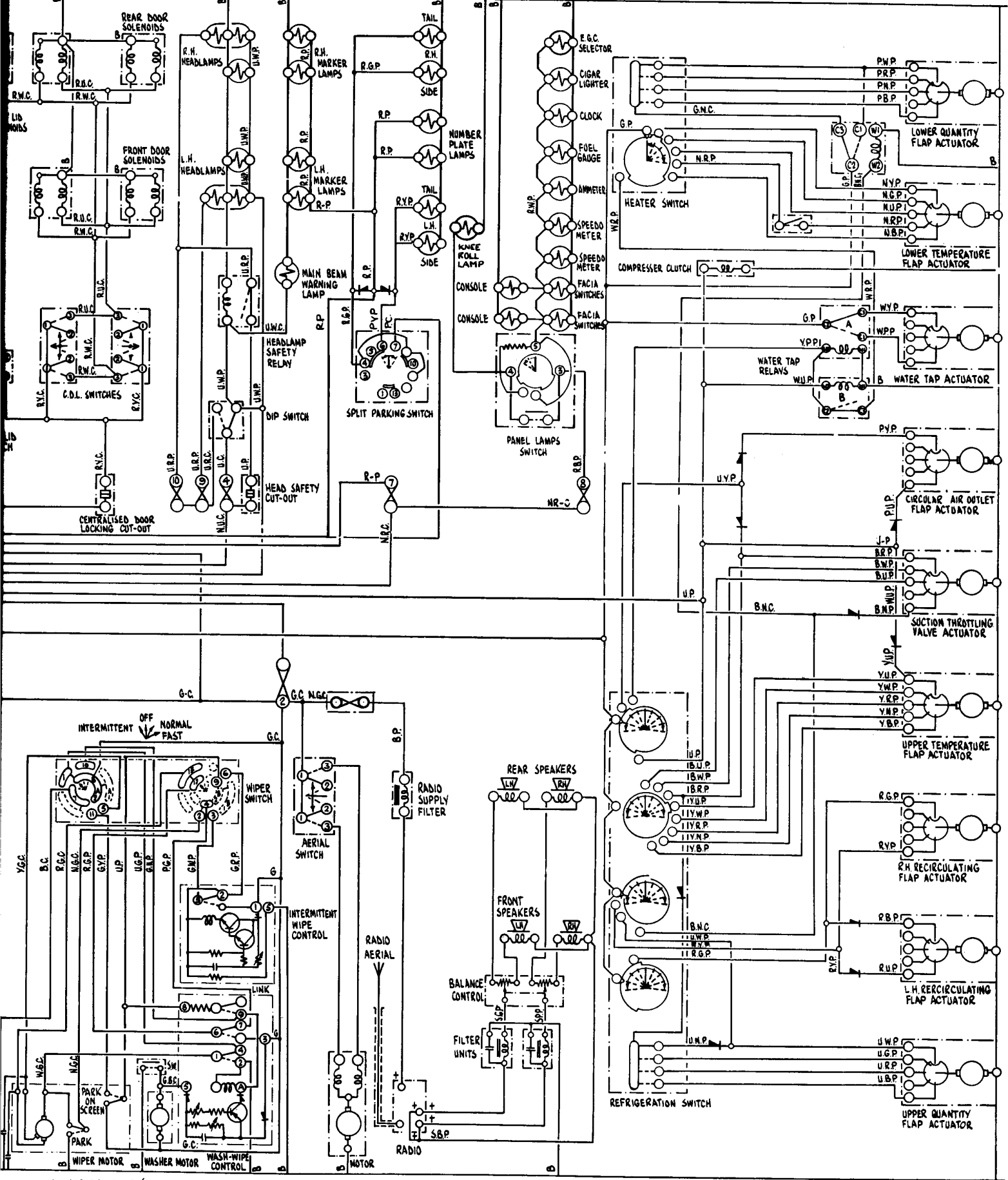
LOCKED DOOR & BOOT LID LOCKING

HEADLAMPS

SIDELAMPS

PANEL LAMPS

AIR CONDITIONING SYSTEM



WINDSCREEN WIPER (INCLUDING INTERMITTENT OPERATION) AND WASHER

AERIAL

STEREO RADIO
+ DENOTES RADIO FLYING LEAD

THEORETICAL WIRING DIAGRAM

Sheet 10

**For
Rolls-Royce Silver Shadow
and
Bentley T Series**

**SALOON AND LONG WHEELBASE NON-
DIVISION CARS FOR USA AND CANADA
FROM CAR SERIAL NUMBER 16214**

T.S.D. Publication 4052

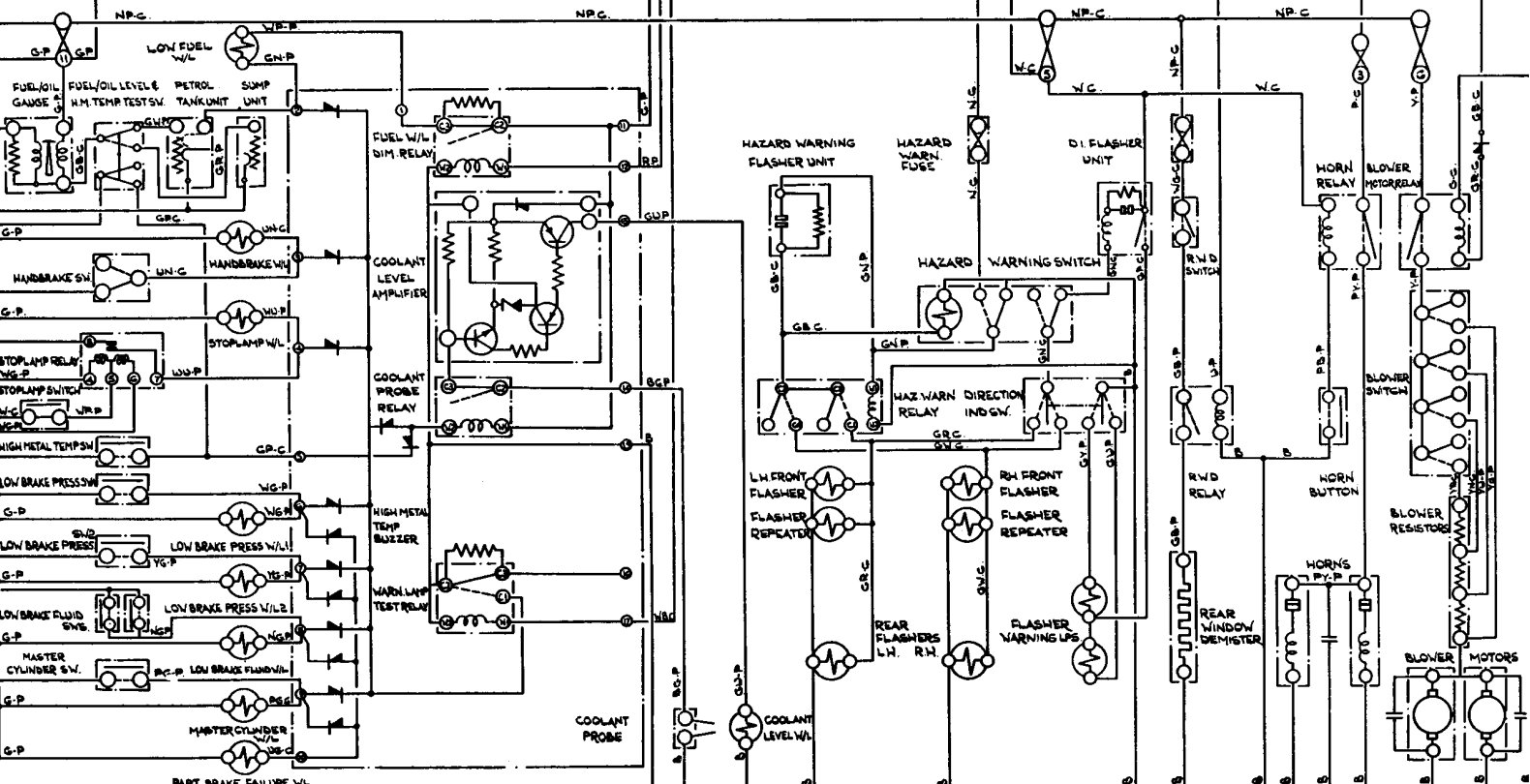
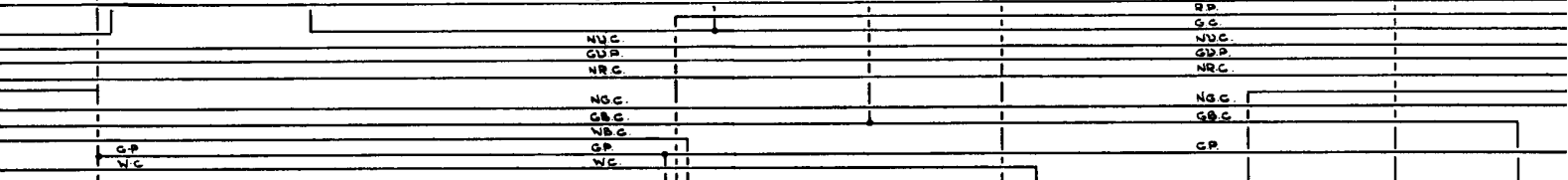
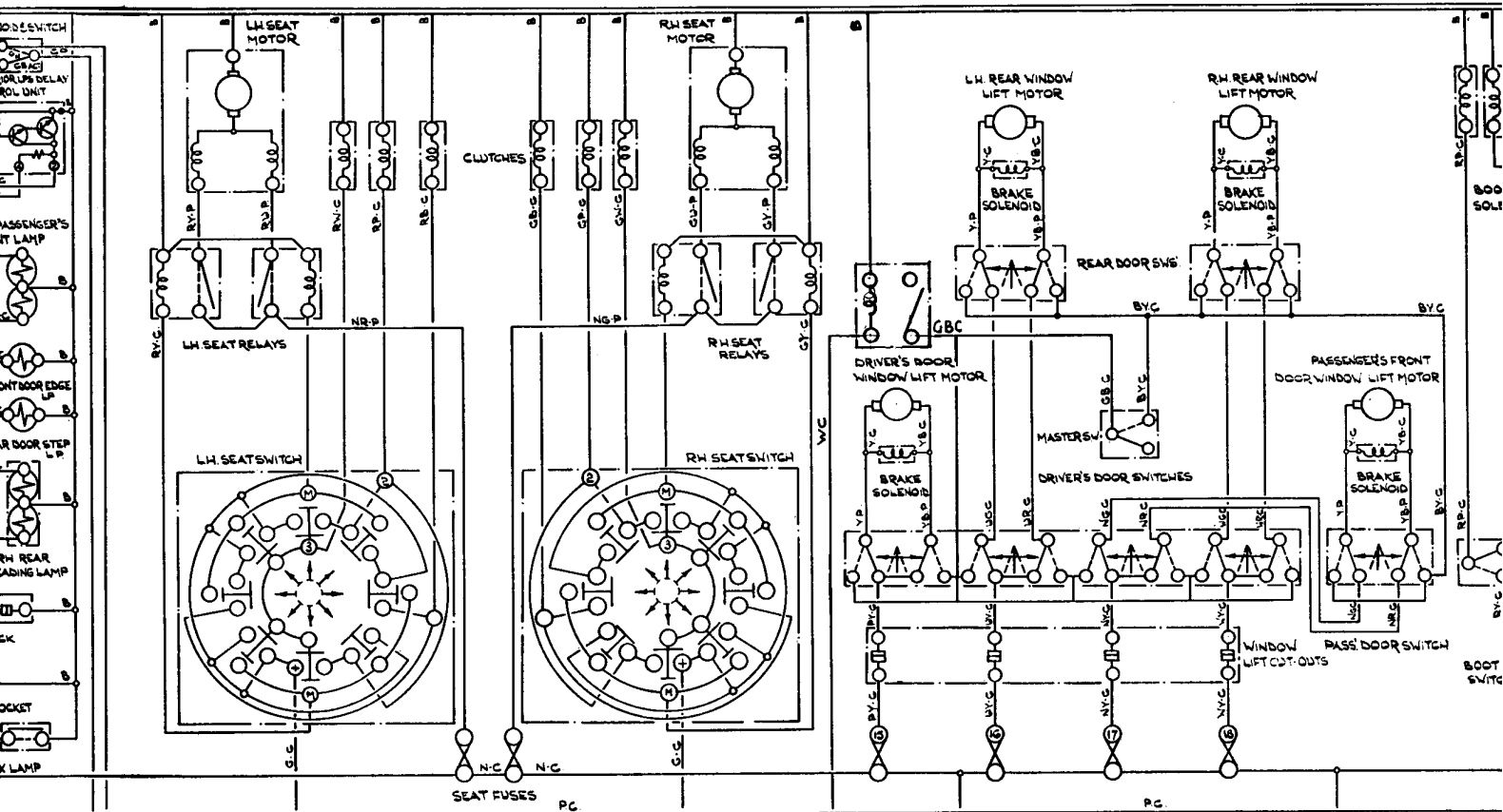
“© Rolls-Royce Motors Limited 1974”

“This document is the property of Rolls-Royce Motors Limited and may not be copied or communicated to a third party or used for any purpose other than that for which it is supplied without the express written authority of Rolls-Royce Motors Limited.”

“Whilst the information in this document given in good faith based upon the latest knowledge available to Rolls-Royce Motors Limited. Rolls-Royce Motors Limited gives no warranty or representation concerning such information, and such information must not be taken as establishing any contractual or other commitment on the part of Rolls-Royce Motors Limited.”

ELECTRICALLY OPERATED SEATS

ELECTRIC WINDOW LIFTS WITH P.M. MOTORS



STOPLAMPS WARNING LAMPS FUEL GAUGE HIGH METAL TEMPERATURE BUZZER COOLANT PROBE

DIRECTION INDICATORS HAZARD WARNING

REAR WINDOW DEMISTER

HORNS

BLOWER MOTOR

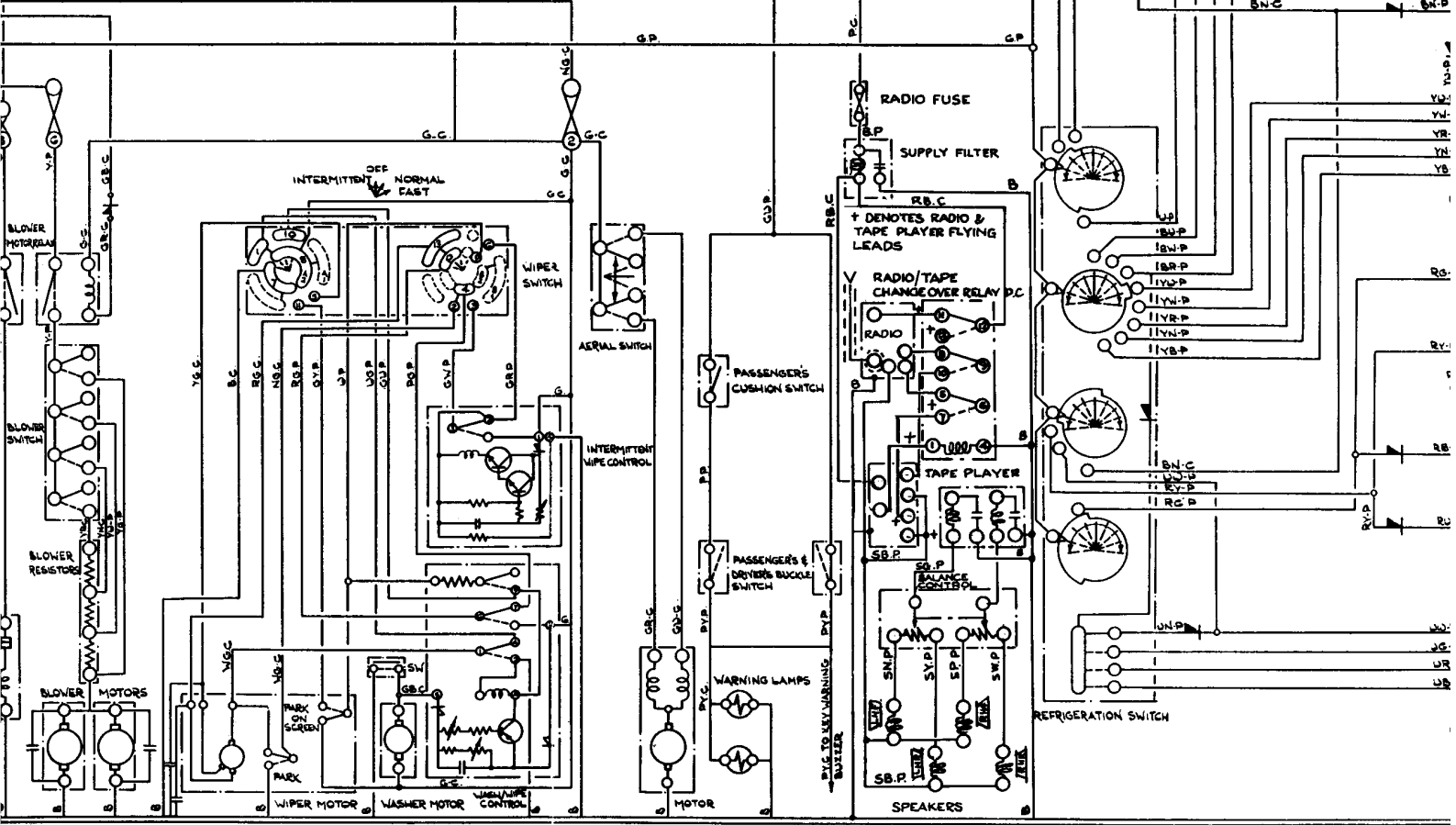
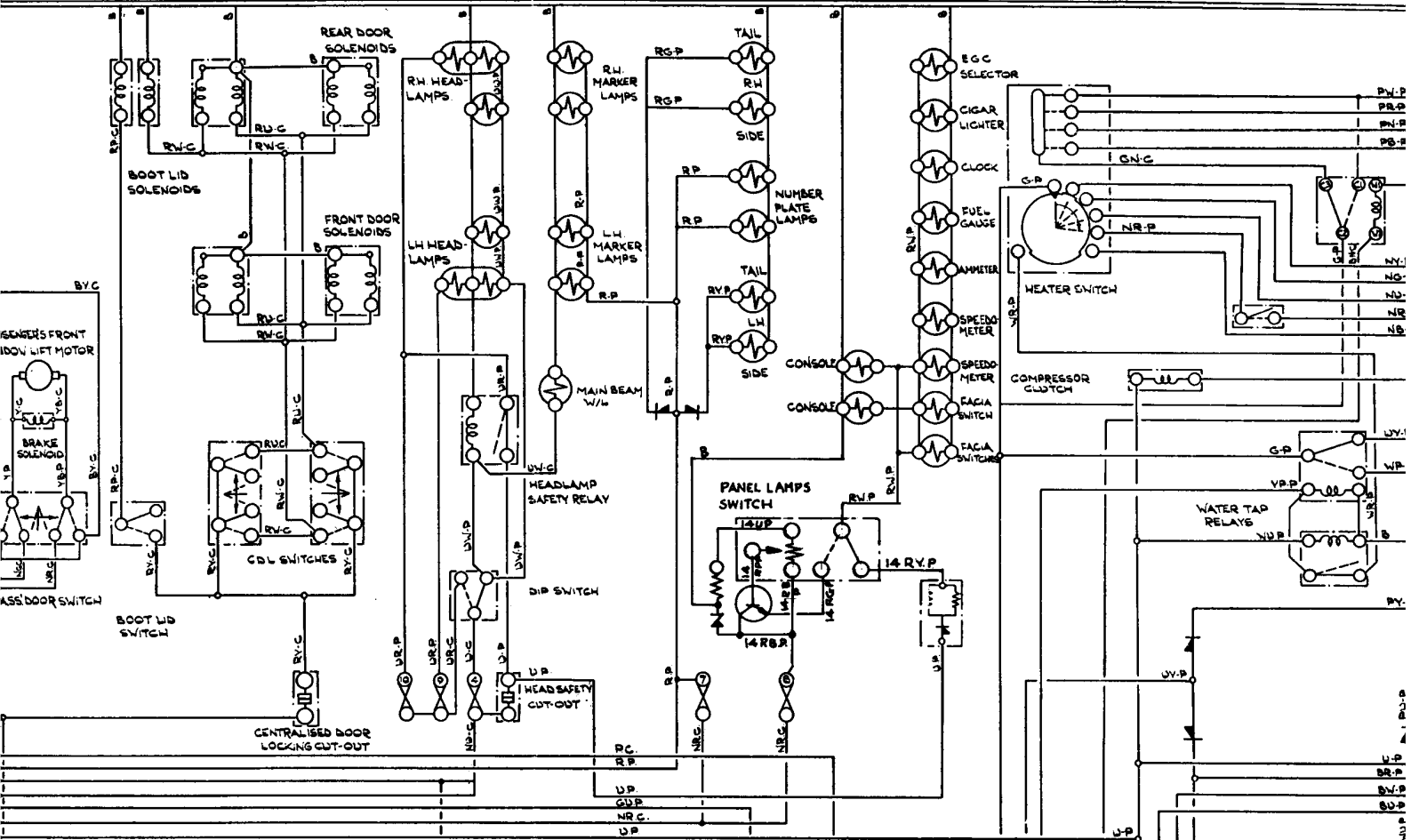
CENTRALISED DOOR & BOOT LID LOCKING

HEADLAMPS

SIDELAMPS

PANEL LAMPS

AIR CONDITIONING UNIT SYSTEM



BLOWER MOTORS

WINDSCREEN WIPER (INCLUDING INTERMITTENT OPERATION) AND WASHER

AERIAL

SEAT BELT WARNING

STEREO RADIO

+ DENOTES RADIO FLYING LEAD

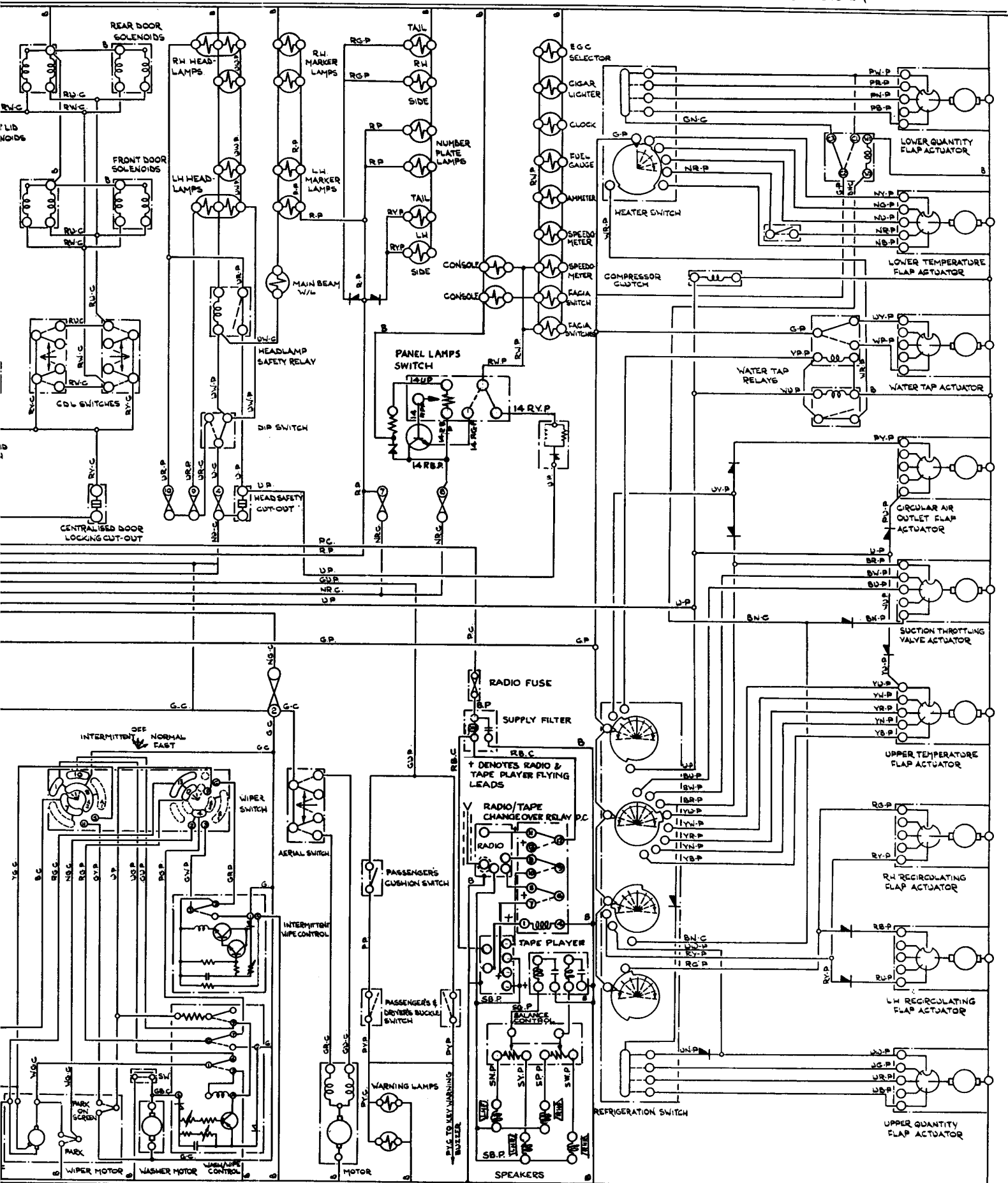
LOCKED DOOR & BOOT LID LOCKING

HEADLAMPS

SIDELAMPS

PANEL LAMPS

AIR CONDITIONING UNIT SYSTEM



WINDSCREEN WIPER (INCLUDING INTERMITTENT OPERATION) AND WASHER

AERIAL

SEAT BELT WARNING

STEREO RADIO

† DENOTES RADIO FLYING LEAD

THEORETICAL WIRING DIAGRAM

Sheet 11

For
Rolls-Royce Silver Shadow
and
Bentley T Series

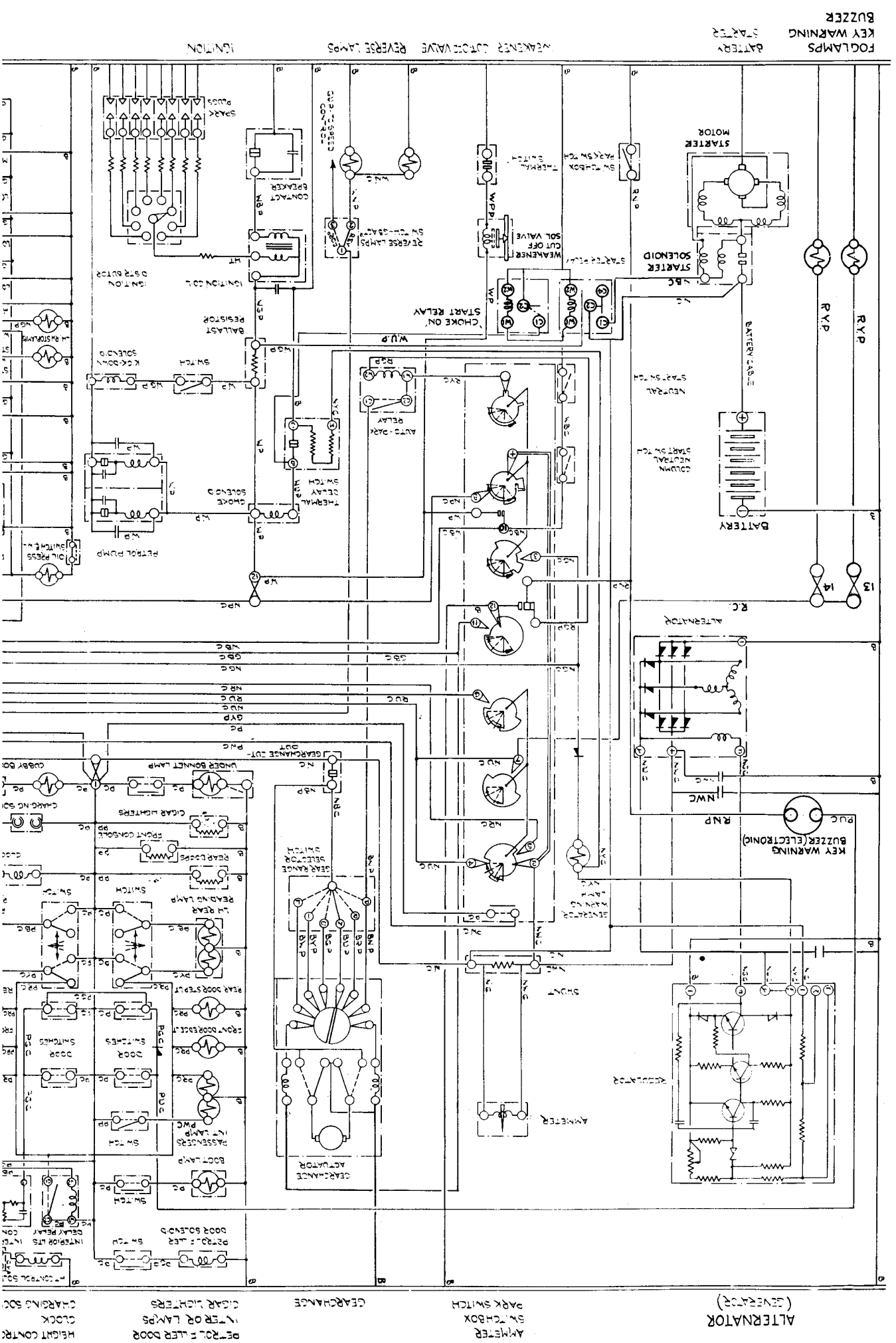
**RIGHT-HAND DRIVE LONG WHEELBASE
DIVISION CARS FROM CAR SERIAL
NUMBER 16214**

T.S.D. Publication 4029

"© Rolls-Royce Motors Limited 1974"

"This document is the property of Rolls-Royce Motors Limited and may not be copied or communicated to a third party or used for any purpose other than that for which it is supplied without the express written authority of Rolls-Royce Motors Limited."

"Whilst the information in this document given in good faith based upon the latest knowledge available to Rolls-Royce Motors Limited. Rolls-Royce Motors Limited gives no warranty or representation concerning such information, and such information must not be taken as establishing any contractual or other commitment on the part of Rolls-Royce Motors Limited."



ALTERNATOR (GENERATOR)

AMMETER

GEAR CHANGE

REVERSE LAMP
CIGAR LIGHTS
CHARGING SOC
CLOCK
HEIGHT CONTR

FOGLAMPS
KEY WARNING
BATTERY
STARTER
BUZZER

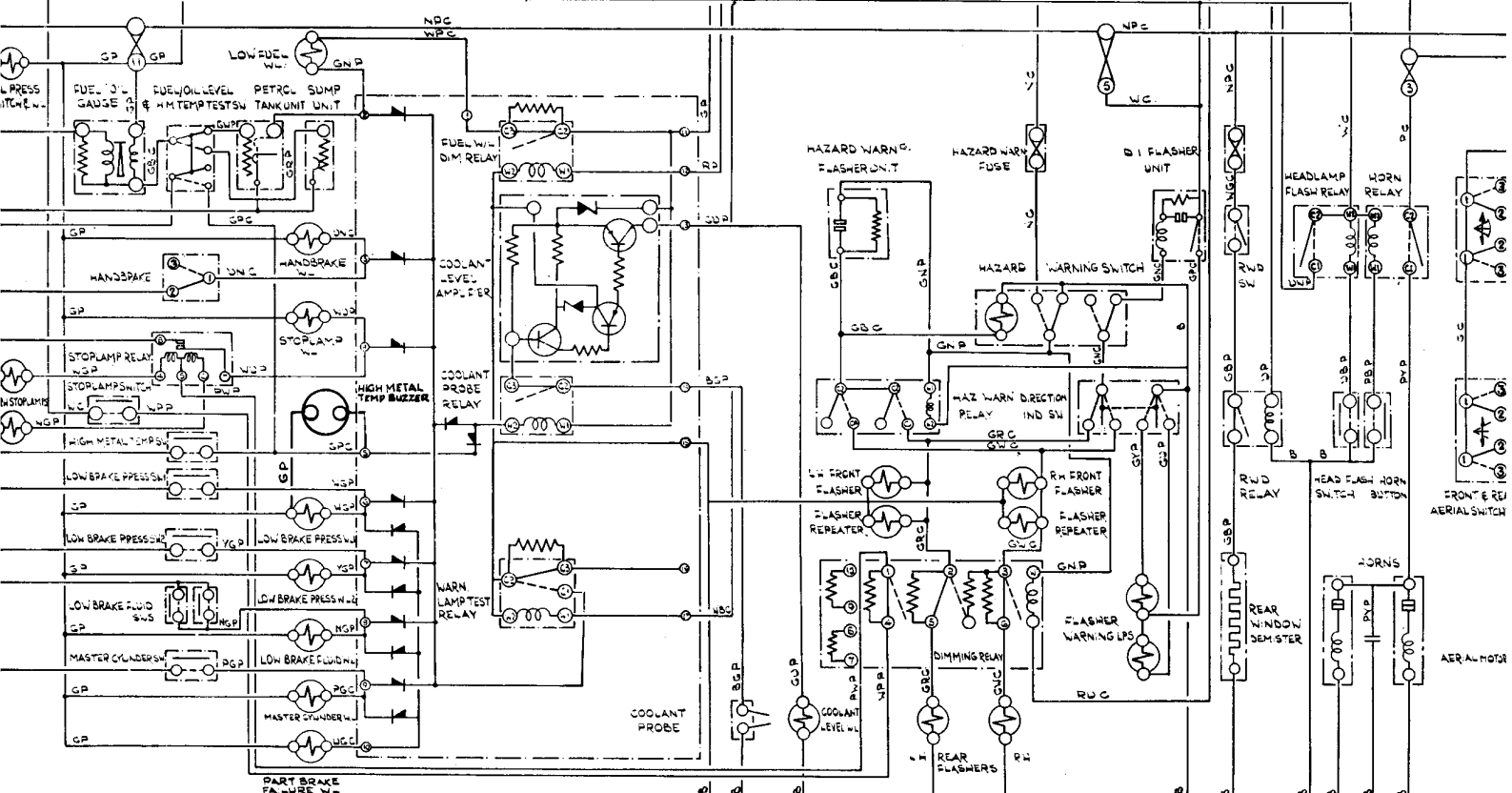
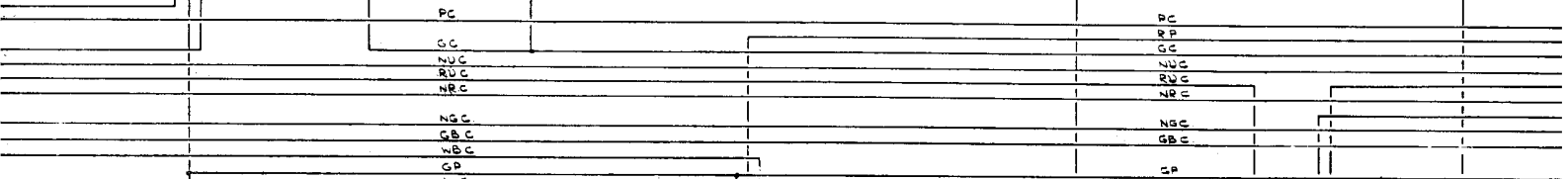
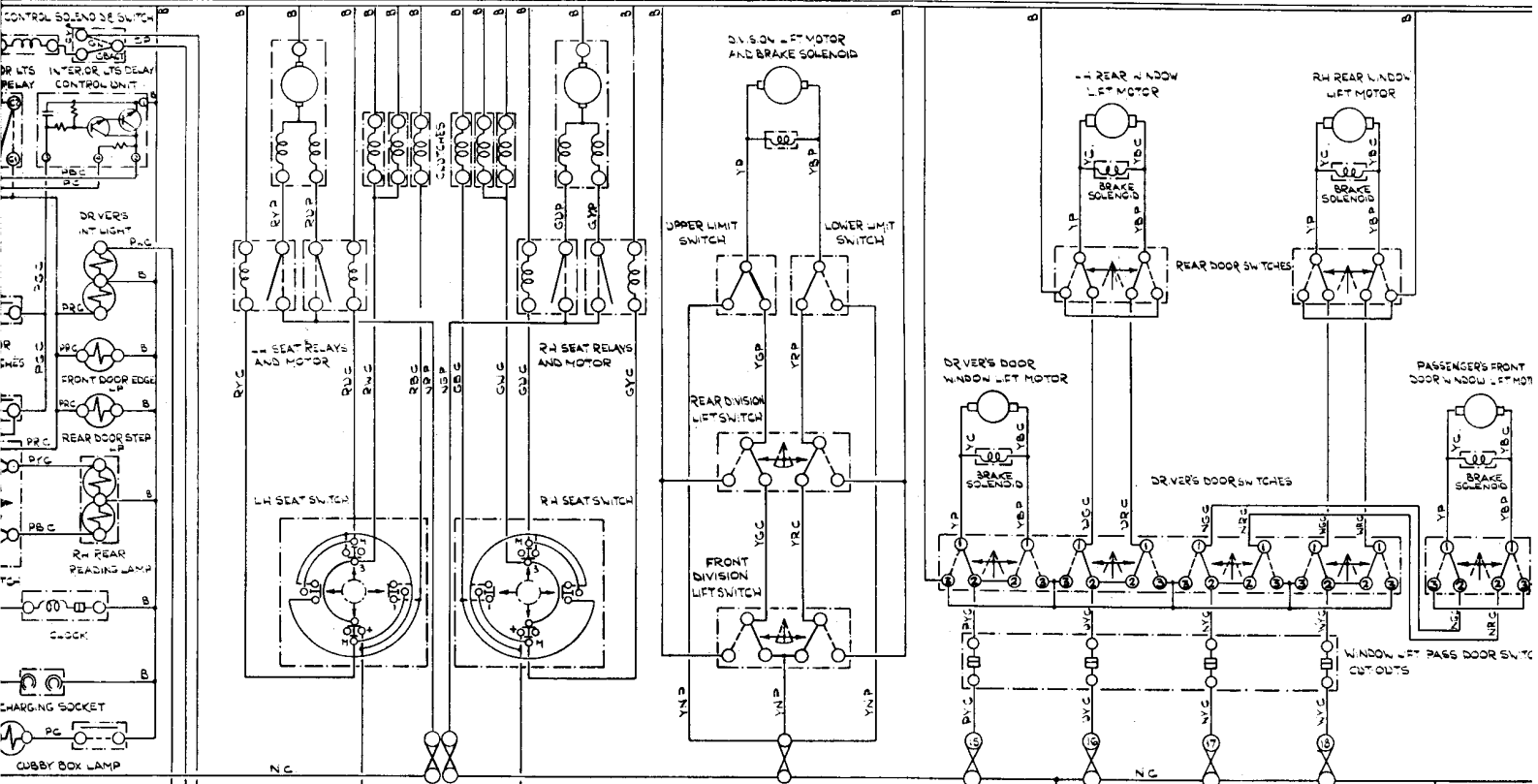
WEAKENERS CUT-OFF VALVE
REVERSE LAMPS
IGNITION

IGNITION CONTROL
LOCK
CHARGING SOCKET

ELECTRICALLY OPERATED SEATS

DIVISION LIFT

ELECTRIC WINDOW LIFTS WITH PM MOTORS



STOP LAMPS, WARNING LAMPS FUEL/OIL GAUGE, HIGH METAL TEMPERATURE BUZZER, COOLANT PROBE

DIRECTION INDICATORS HAZARD WARNING

REAR WINDOW DEMISTER

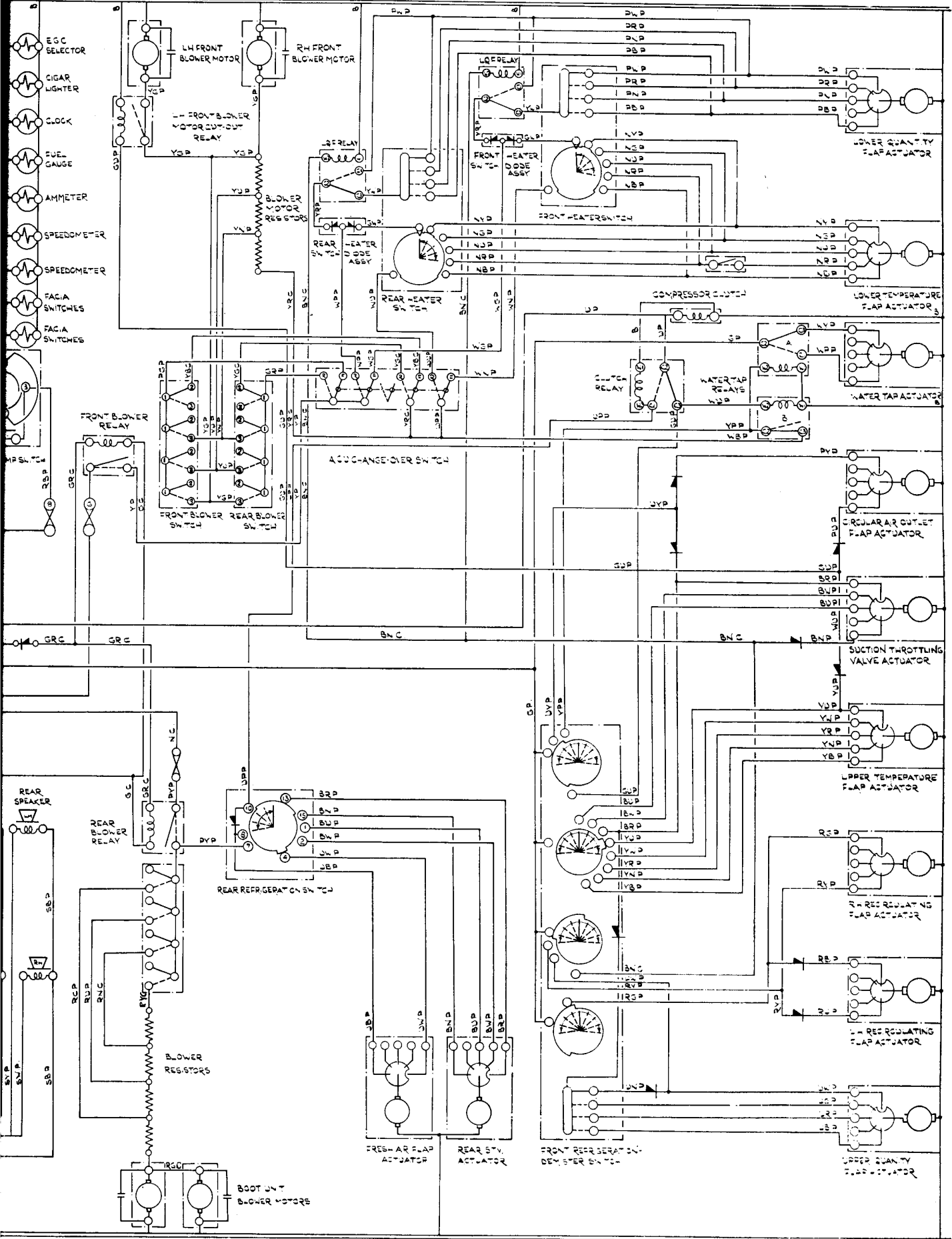
HORN

AERIAL MOTOR

LAMPS

AIR CONDITIONING UNIT FRONT BLOWER MOTORS

AIR CONDITIONING UNIT SYSTEM



LISSAGE COMPARTMENT (800") REFRIGERATION UNIT

Section 16

Rolls-Royce Silver Shadow
and Bentley 'T' Series
Saloons built to August 1975
Electrical Specification
(Sheets 1 - 10)

Printed in England

December 1976

T.S.D. 2476

THEORETICAL WIRING DIAGRAM

Sheet 1

For
Rolls-Royce Silver Shadow
and
Bentley T Series

RIGHT-HAND DRIVE SALOON AND LONG WHEELBASE NON-DIVISION CARS FROM CAR SERIAL NUMBERS 22118 AND 22073

T.S.D. Publication 4150

© Rolls-Royce Motors Limited 1975

"This document is the property of Rolls-Royce Motors Limited and may not be copied or communicated to a third party or used for any purpose other than that for which it is supplied without the express written authority of Rolls-Royce Motors Limited."

"Whilst the information in this document given in good faith based upon the latest knowledge available to Rolls-Royce Motors Limited. Rolls-Royce Motors Limited gives no warranty or representation concerning such information, and such information must not be taken as establishing any contractual or other commitment on the part of Rolls-Royce Motors Limited."

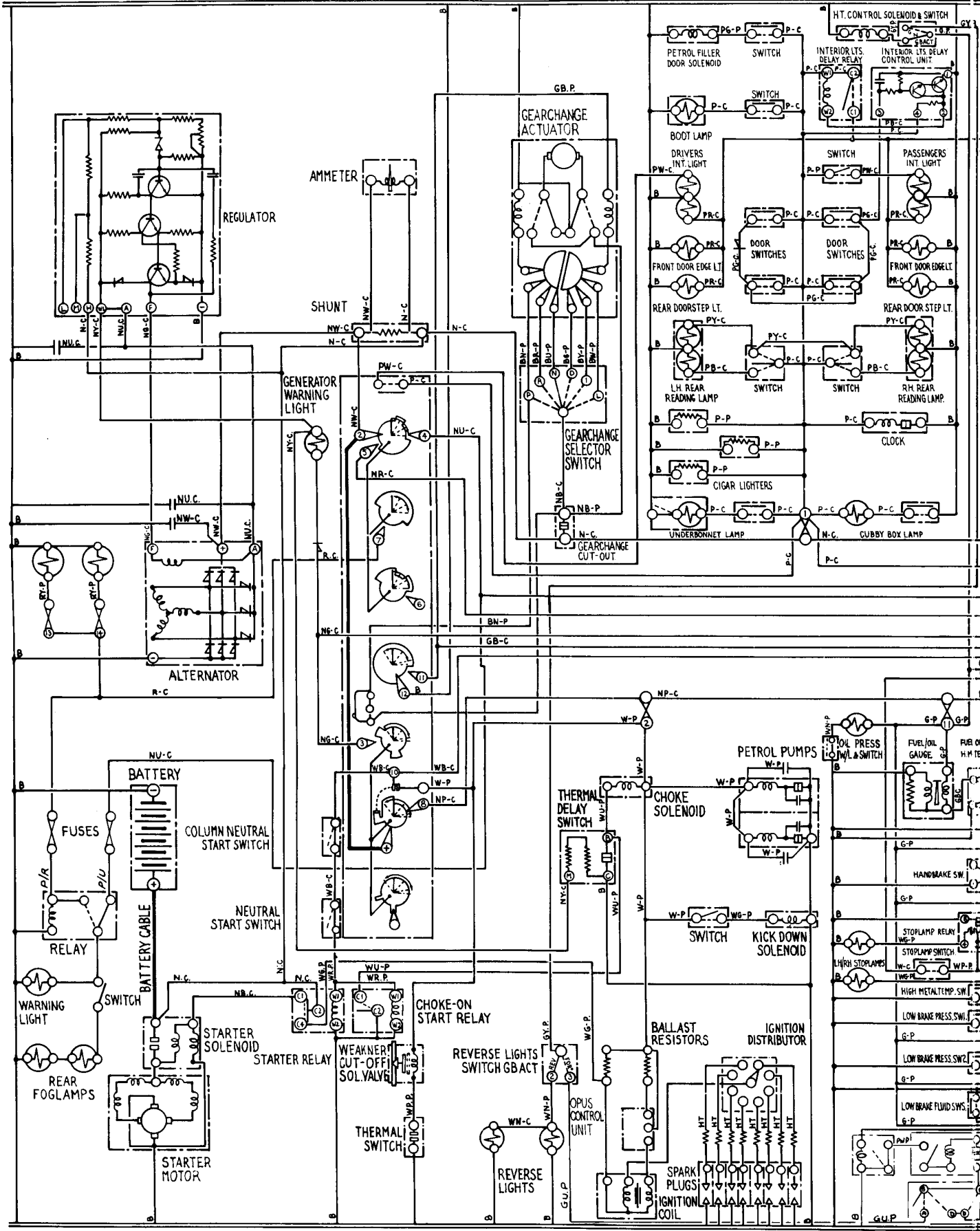
FOGLAMPS
ALTERNATOR

AMMETER
SWITCHBOX

GEARCHANGE

PETROL FILLER DOOR
INTERIOR LIGHTS
CIGAR LIGHTERS

HEIGHT CONTROL
CLOCK



BATTERY
STARTER

NEUTRAL START SW.
PARK SWITCH

WEAKENER
CUT-OFF VALVE
"CHOKE-ON" START

REVERSE LIGHTS

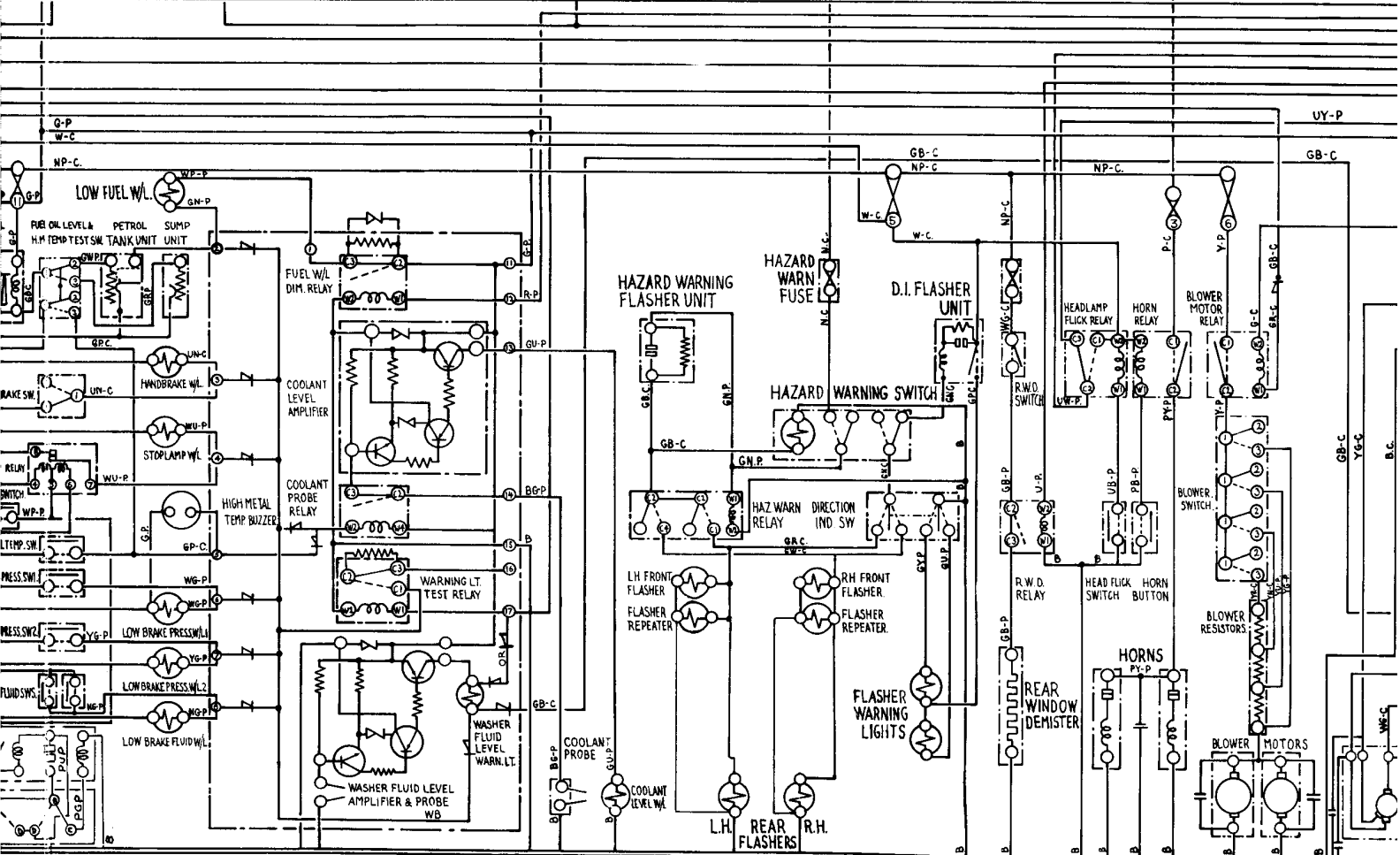
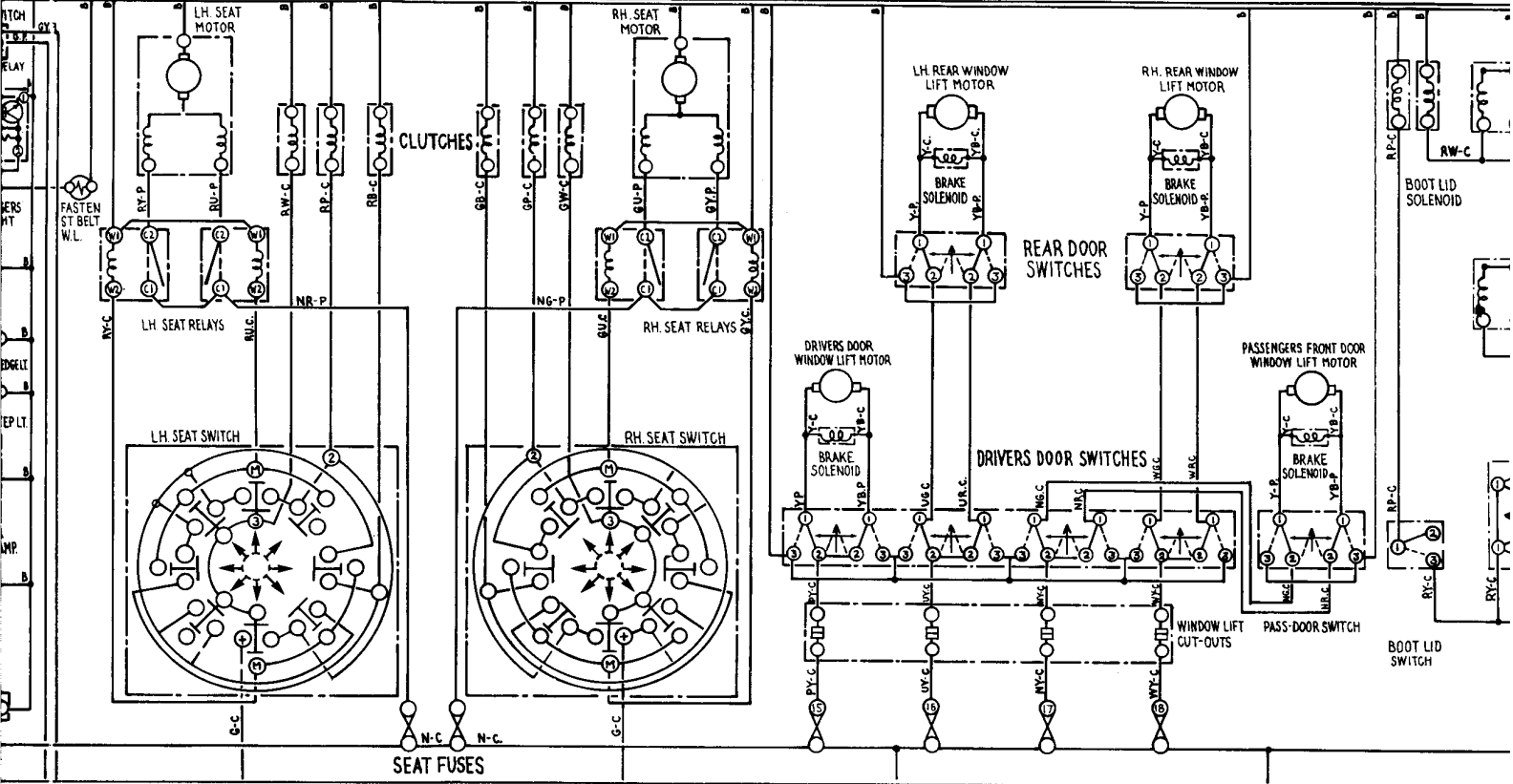
IGNITION

SPEED CONTROL

ELECTRICALLY OPERATED SEATS

ELECTRIC WINDOW LIFTS WITH P.M. MOTORS

CENTRALISED DOOR



STOPLAMPS, WARNING LIGHTS, FUEL GAUGE, HIGH METAL TEMPERATURE BUZZER, COOLANT PROBE

DIRECTION INDICATORS, HAZARD WARNING

REAR WINDOW DEMISTER

HORNS

BLOWERS.

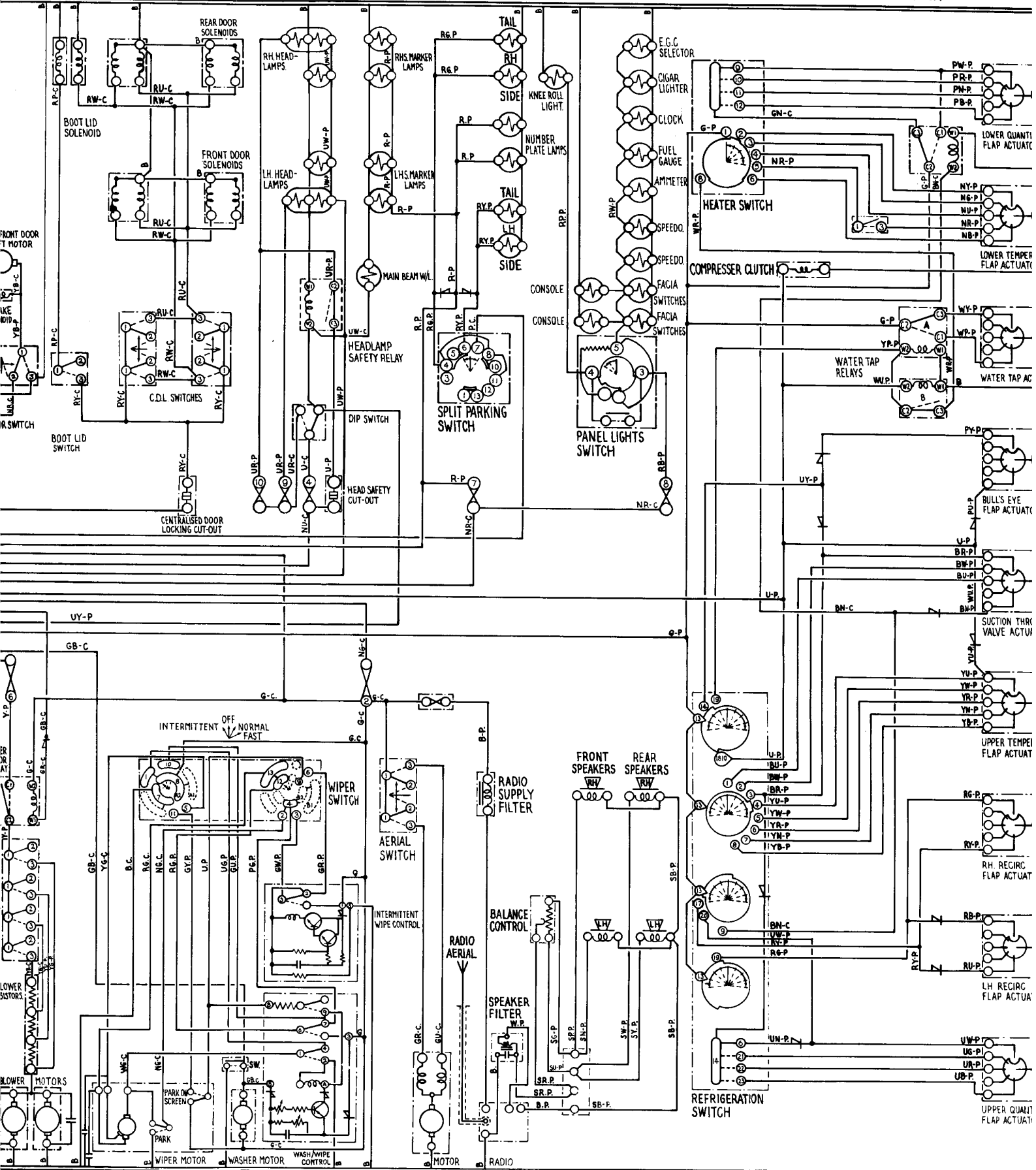
CENTRALISED DOOR & BOOT LID LOCKING

QH HEADLAMPS

SIDELAMPS

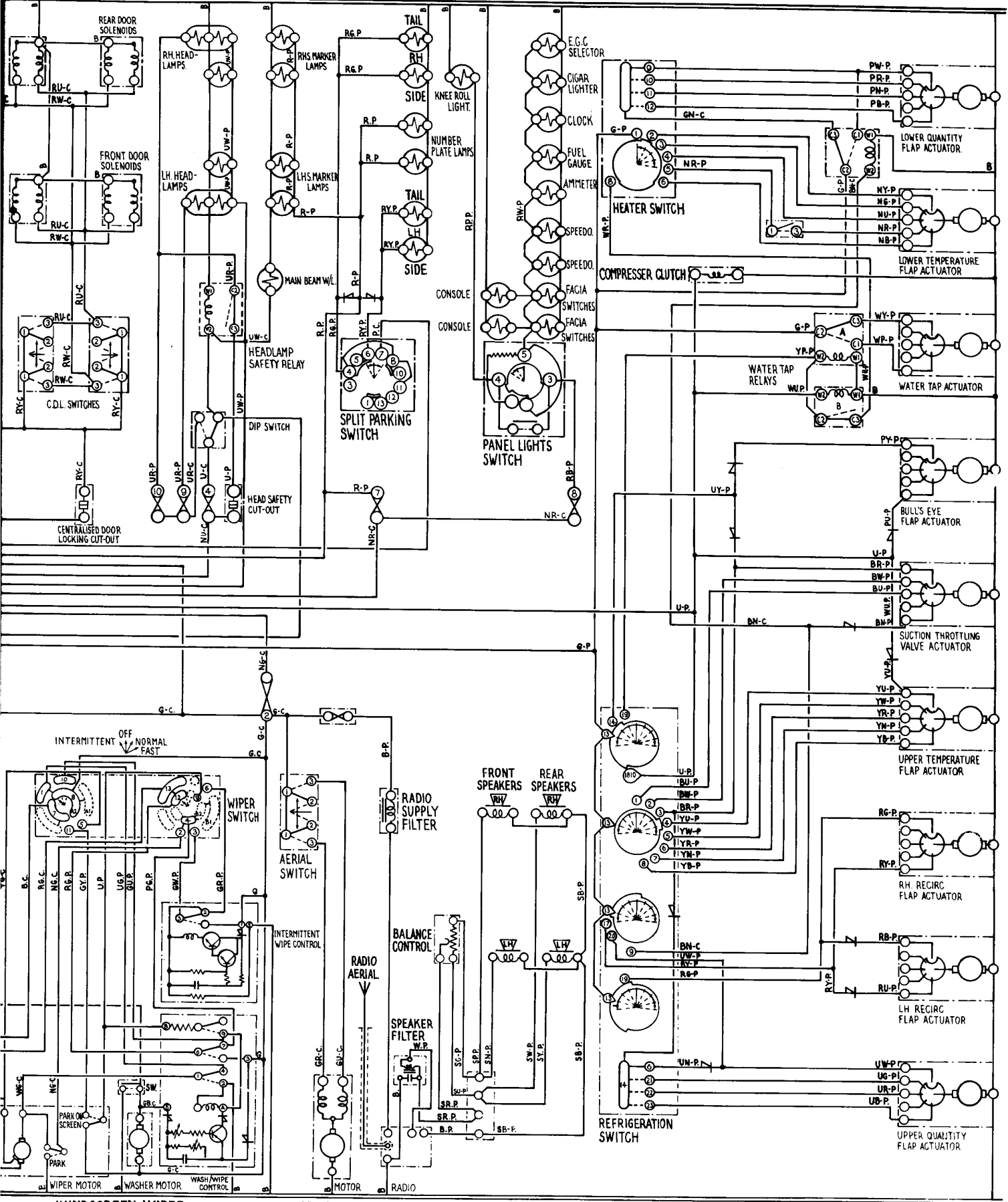
PANEL LIGHTS

AIR CONDITIONING SYSTEM

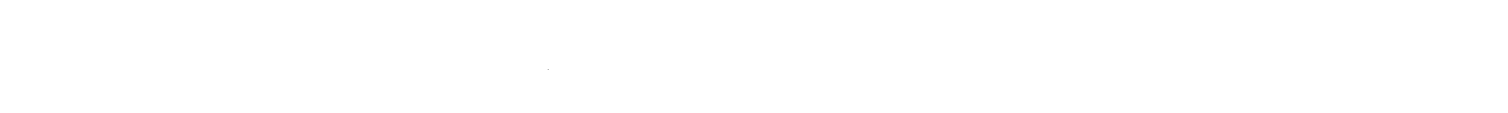


BLOWERS.
WINDSCREEN WIPER AND WASHER
AERIAL
RADIO

ED DOOR & BOOT LID LOCKING QH HEADLAMPS SIDELAMPS PANEL LIGHTS AIR CONDITIONING SYSTEM



WINDSCREEN WIPER AND WASHER AERIAL RADIO REFRIGERATION SWITCH



THEORETICAL WIRING DIAGRAM

Sheet 2

For
Rolls-Royce Silver Shadow
and
Bentley T Series

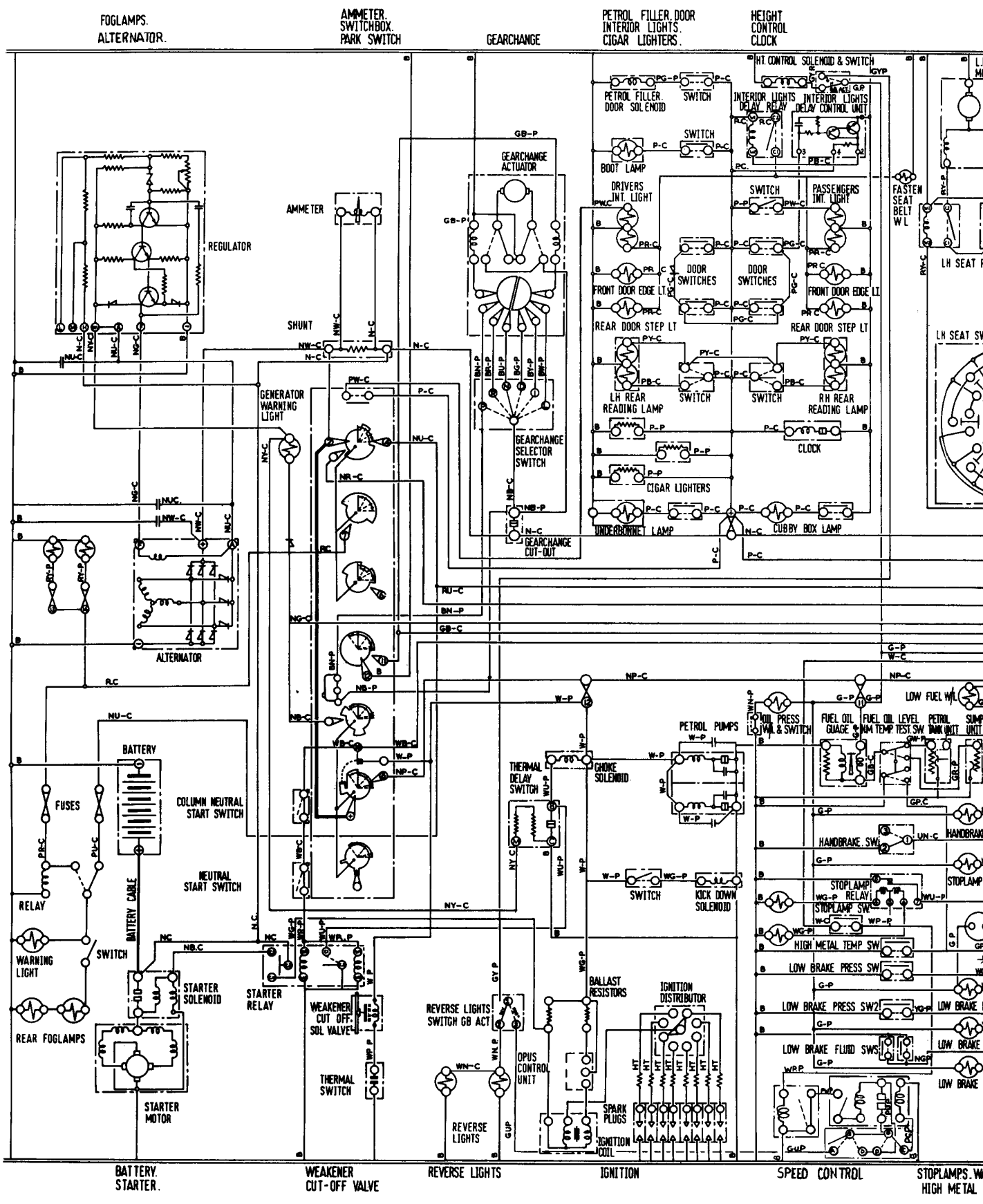
**LEFT-HAND DRIVE SALOON AND LONG
WHEELBASE NON-DIVISION CARS FOR
COUNTRIES OTHER THAN USA AND
CANADA FROM CAR SERIAL NUMBERS
22118 AND 22073**

T.S.D. Publication 4149

© Rolls-Royce Motors Limited 1975

"This document is the property of Rolls-Royce Motors Limited and may not be copied or communicated to a third party or used for any purpose other than that for which it is supplied without the express written authority of Rolls-Royce Motors Limited."

"Whilst the information in this document given in good faith based upon the latest knowledge available to Rolls-Royce Motors Limited. Rolls-Royce Motors Limited gives no warranty or representation concerning such information, and such information must not be taken as establishing any contractual or other commitment on the part of Rolls-Royce Motors Limited."



FOG LAMPS.
ALTERNATOR.

AMMETER,
SWITCHBOX,
PARK SWITCH

GEARCHANGE

PETROL FILLER, DOOR,
INTERIOR LIGHTS,
CIGAR LIGHTERS.

HEIGHT CONTROL,
CLOCK

BATTERY,
STARTER.

WEAKENER
CUT-OFF VALVE

REVERSE LIGHTS

IGNITION

SPEED CONTROL

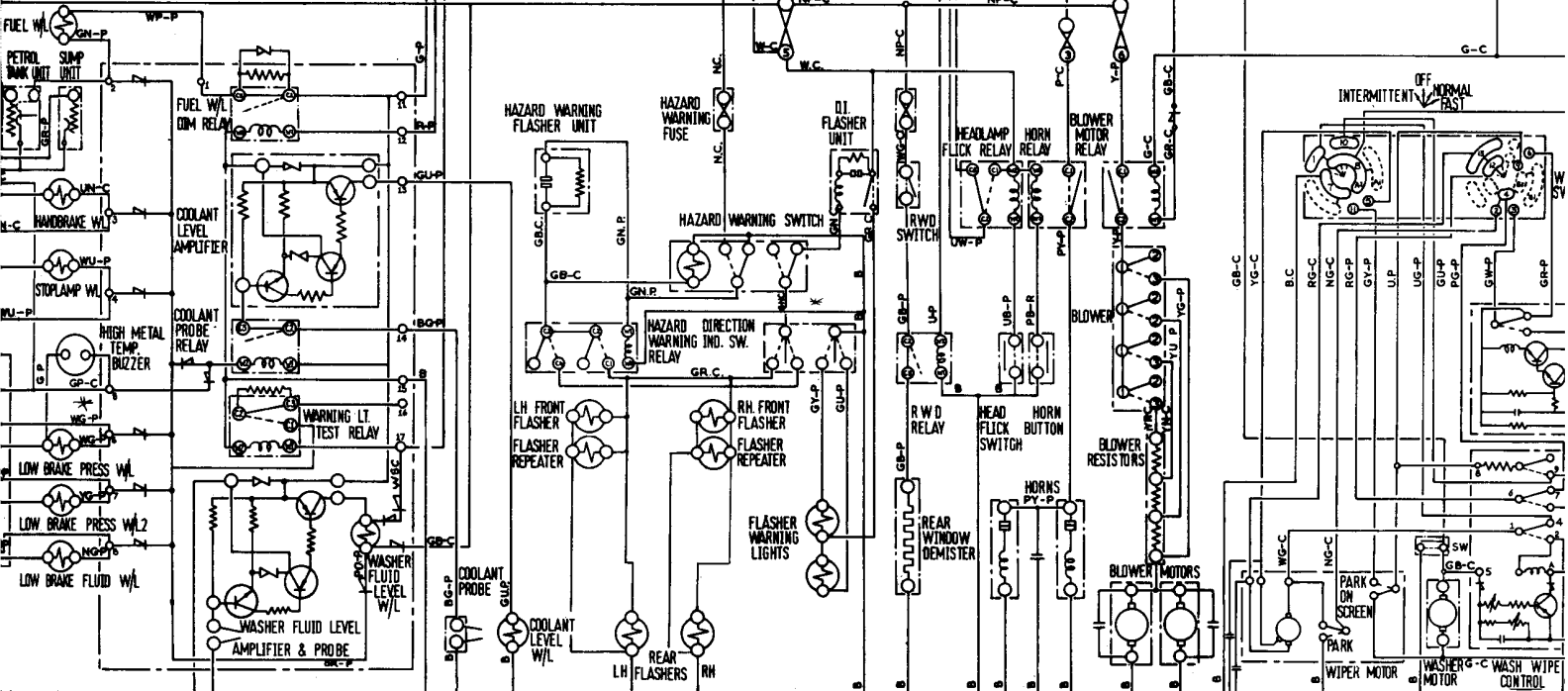
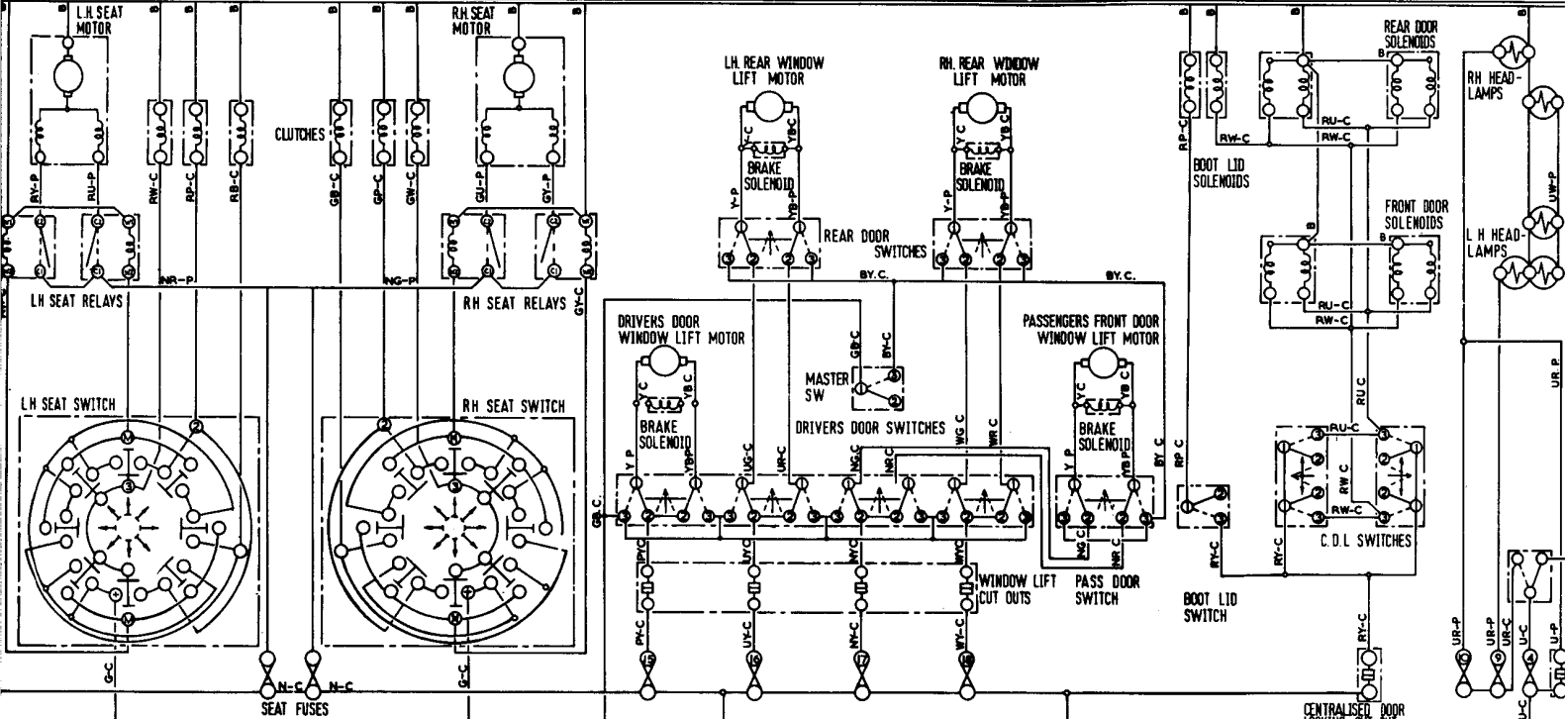
STOPLAMPS, HIGH METAL

ELECTRICALLY OPERATED SEATS

ELECTRIC WINDOW LIFTS WITH PM MOTORS

CENTRALISED DOOR & BOOT LID LOCKING

Q.H. HEADLAMP



FUEL GAUGE, WARNING LIGHTS, FUEL GAUGE, HIGH METAL TEMPERATURE BUZZER, COOLANT PROBE, DIRECTION INDICATORS HAZARD WARNING, REAR WINDOW DEMISTER, HORNS, BLOWERS, WINDSCREEN WIPER & WASHER

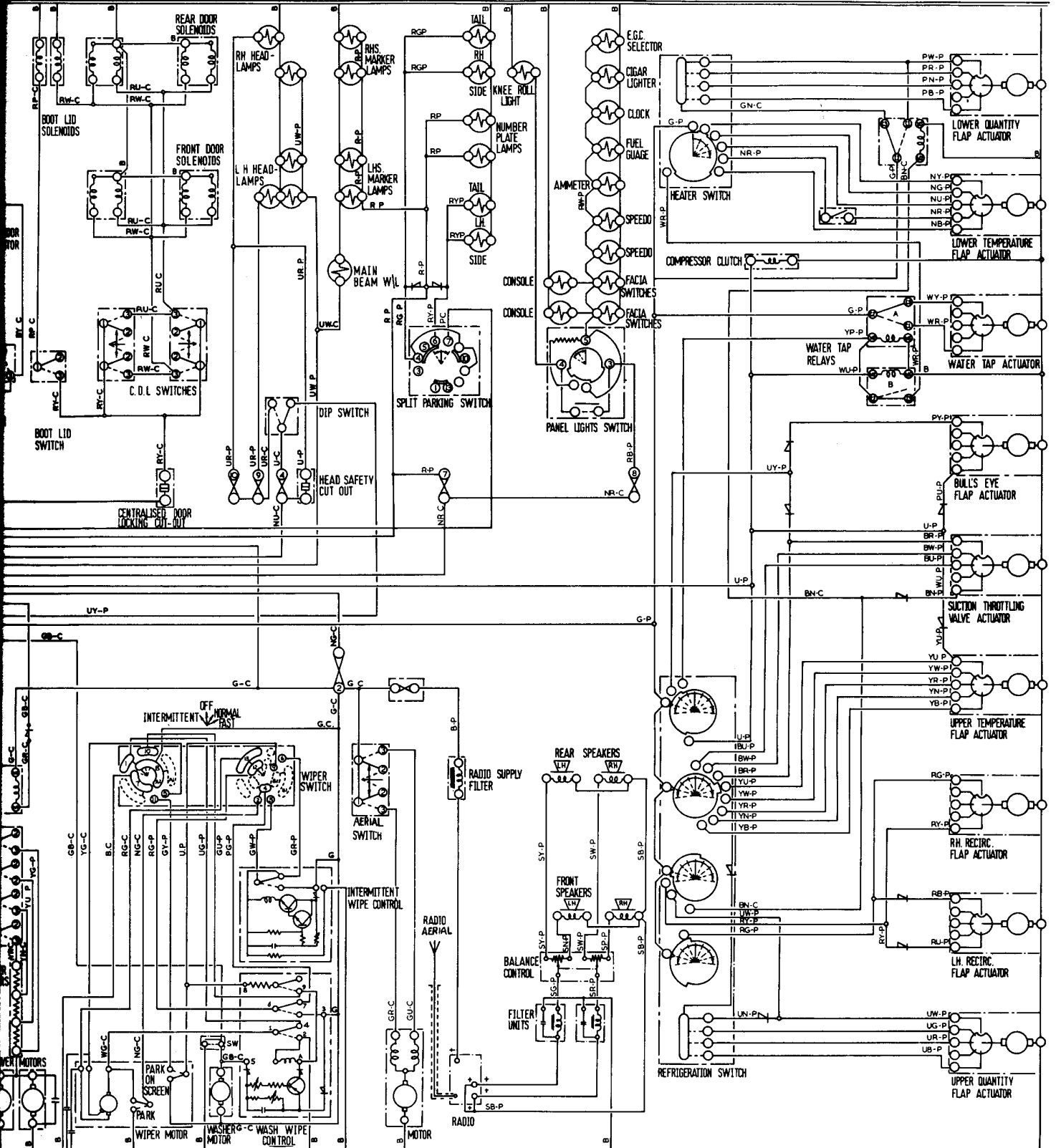
CENTRALISED DOOR & BOOT LID LOCKING

QH HEADLAMPS

SIDELAMPS

PANEL LIGHTS

AIR CONDITIONING SYSTEM



LOWERS

WINDSCREEN WIPER & WASHER

STEREO RADIO

THEORETICAL WIRING DIAGRAM

Sheet 3

For
Rolls-Royce Silver Shadow
and
Bentley T Series

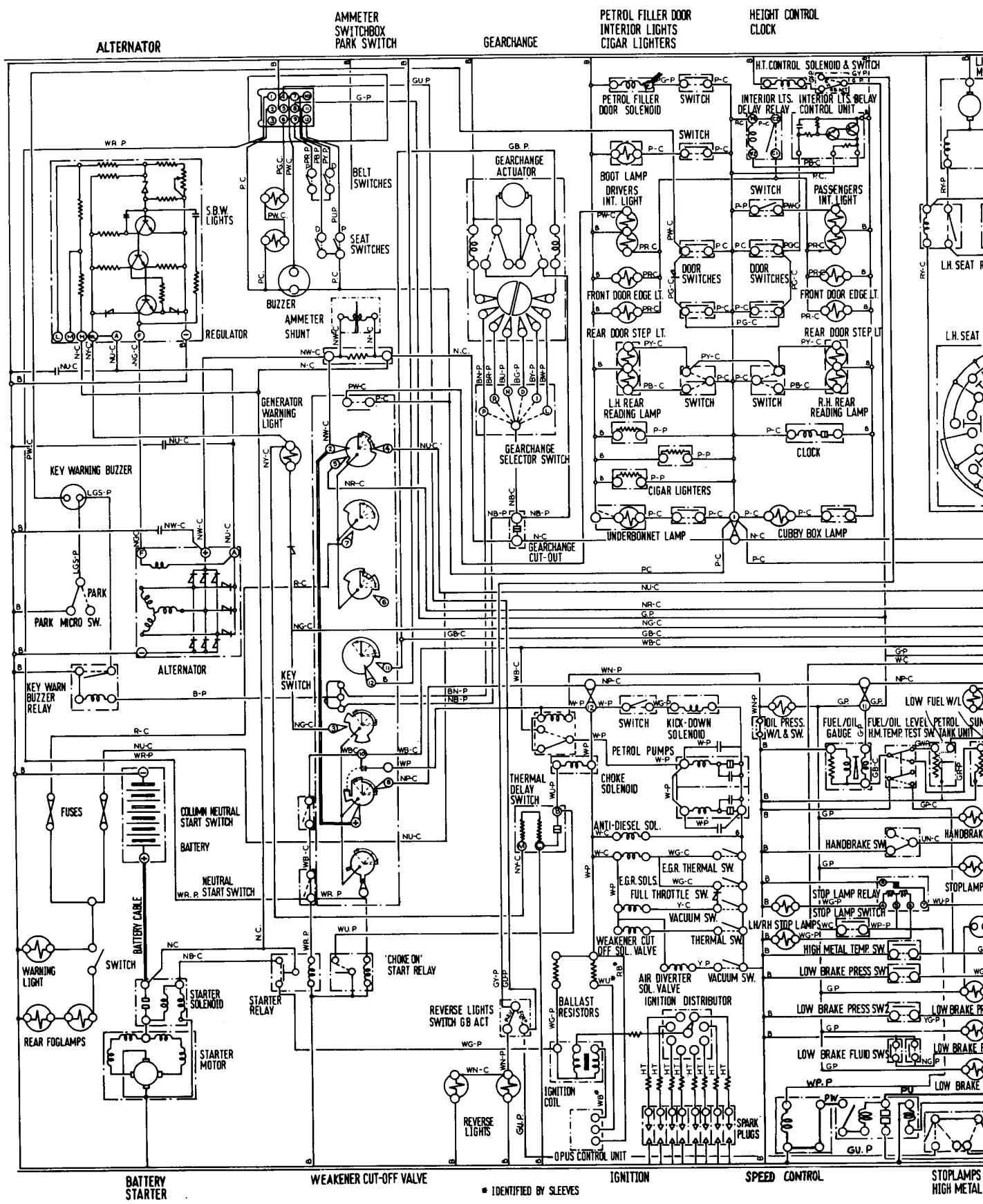
SALOON AND LONG WHEELBASE NON-DIVISION CARS FOR USA AND CANADA FROM CAR SERIAL NUMBERS 22118 AND 22073

T.S.D. Publication 4148

© Rolls-Royce Motors Limited 1975

"This document is the property of Rolls-Royce Motors Limited and may not be copied or communicated to a third party or used for any purpose other than that for which it is supplied without the express written authority of Rolls-Royce Motors Limited."

"Whilst the information in this document given in good faith based upon the latest knowledge available to Rolls-Royce Motors Limited. Rolls-Royce Motors Limited gives no warranty or representation concerning such information, and such information must not be taken as establishing any contractual or other commitment on the part of Rolls-Royce Motors Limited."



ALTERNATOR

AMMETER SWITCHBOX PARK SWITCH

GEARCHANGE

PETROL FILLER DOOR INTERIOR LIGHTS CIGAR LIGHTERS

HEIGHT CONTROL CLOCK

BATTERY STARTER

WEAKENER CUT-OFF VALVE

IGNITION

SPEED CONTROL

STOPLAMPS HIGH METAL

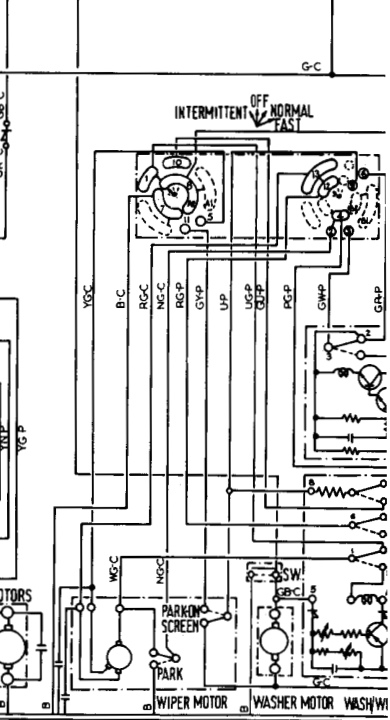
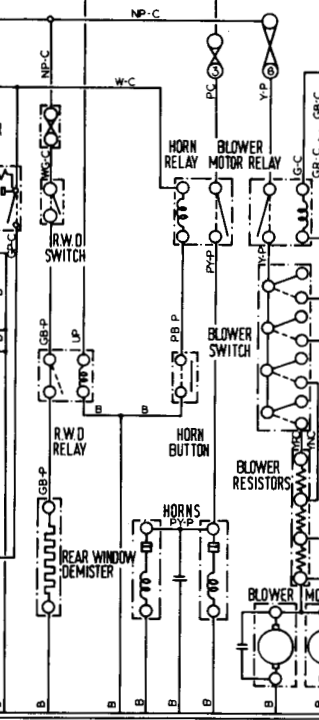
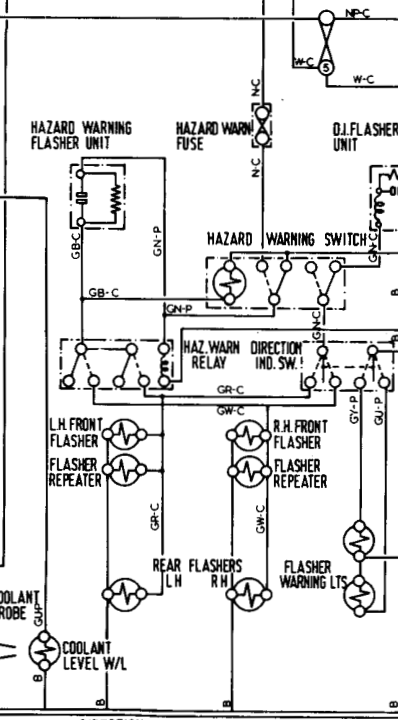
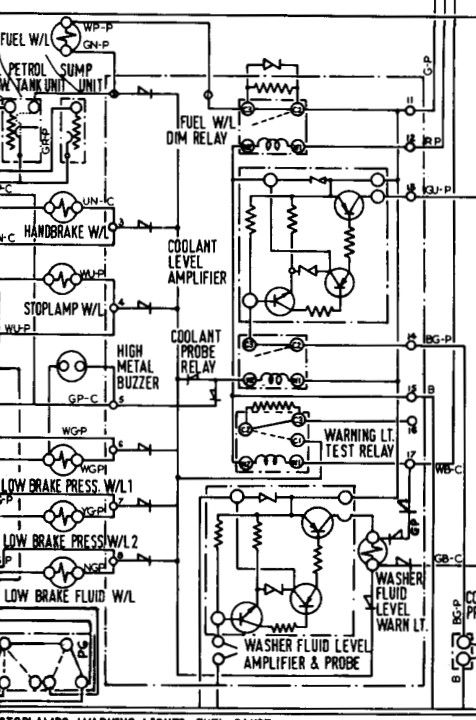
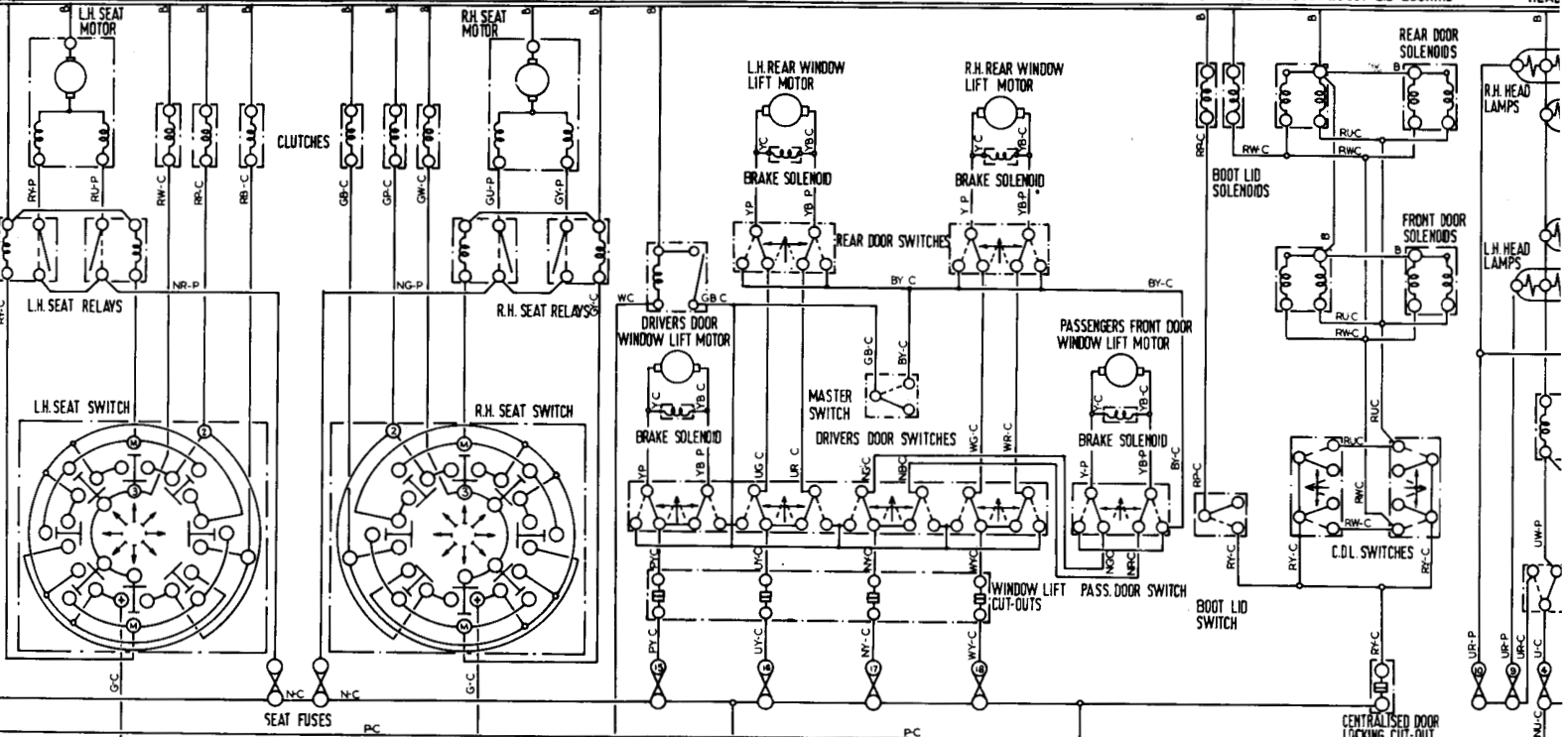
* IDENTIFIED BY SLEEVES

ELECTRICALLY OPERATED SEATS

ELECTRIC WINDOW LIFTS WITH P.M.MOTORS

CENTRALISED DOOR & BOOT LID LOCKING

HEAD



STOP LAMPS WARNING LIGHTS FUEL GAUGE HIGH METAL TEMPERATURE BUZZER COOLANT PROBE

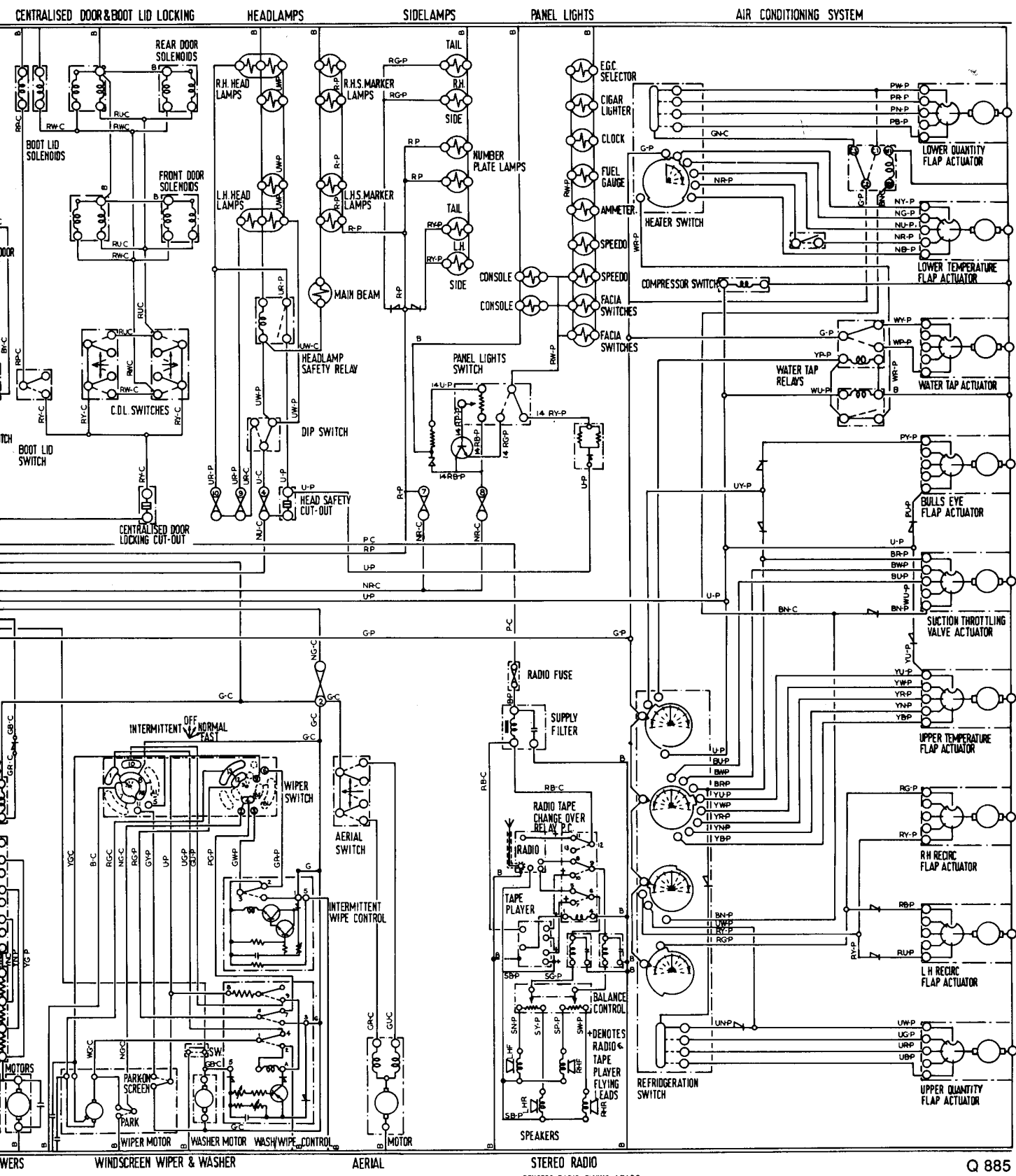
DIRECTION INDICATORS HAZARD WARNING

REAR WINDOW DEMISTER

HORNS

BLOWERS

WINDSCREEN WIPER & WASHER



THEORETICAL WIRING DIAGRAM

Sheet 4

For
Rolls-Royce Silver Shadow
and
Bentley T Series

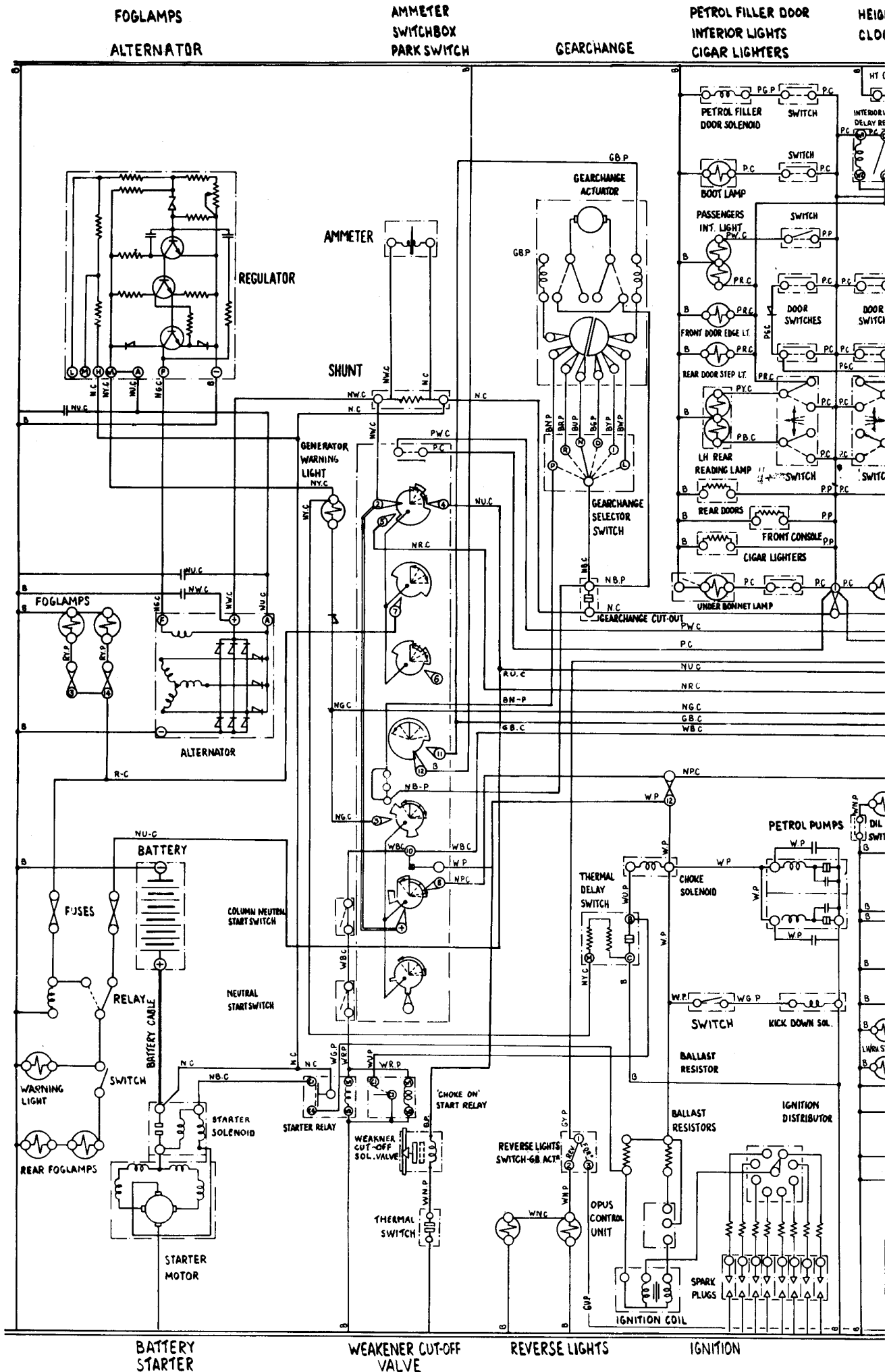
RIGHT-HAND DRIVE LONG WHEELBASE DIVISION CARS FROM CAR SERIAL NUMBER 22073

T.S.D. Publication 4146

© Rolls-Royce Motors Limited 1975

"This document is the property of Rolls-Royce Motors Limited and may not be copied or communicated to a third party or used for any purpose other than that for which it is supplied without the express written authority of Rolls-Royce Motors Limited."

"Whilst the information in this document given in good faith based upon the latest knowledge available to Rolls-Royce Motors Limited. Rolls-Royce Motors Limited gives no warranty or representation concerning such information, and such information must not be taken as establishing any contractual or other commitment on the part of Rolls-Royce Motors Limited."

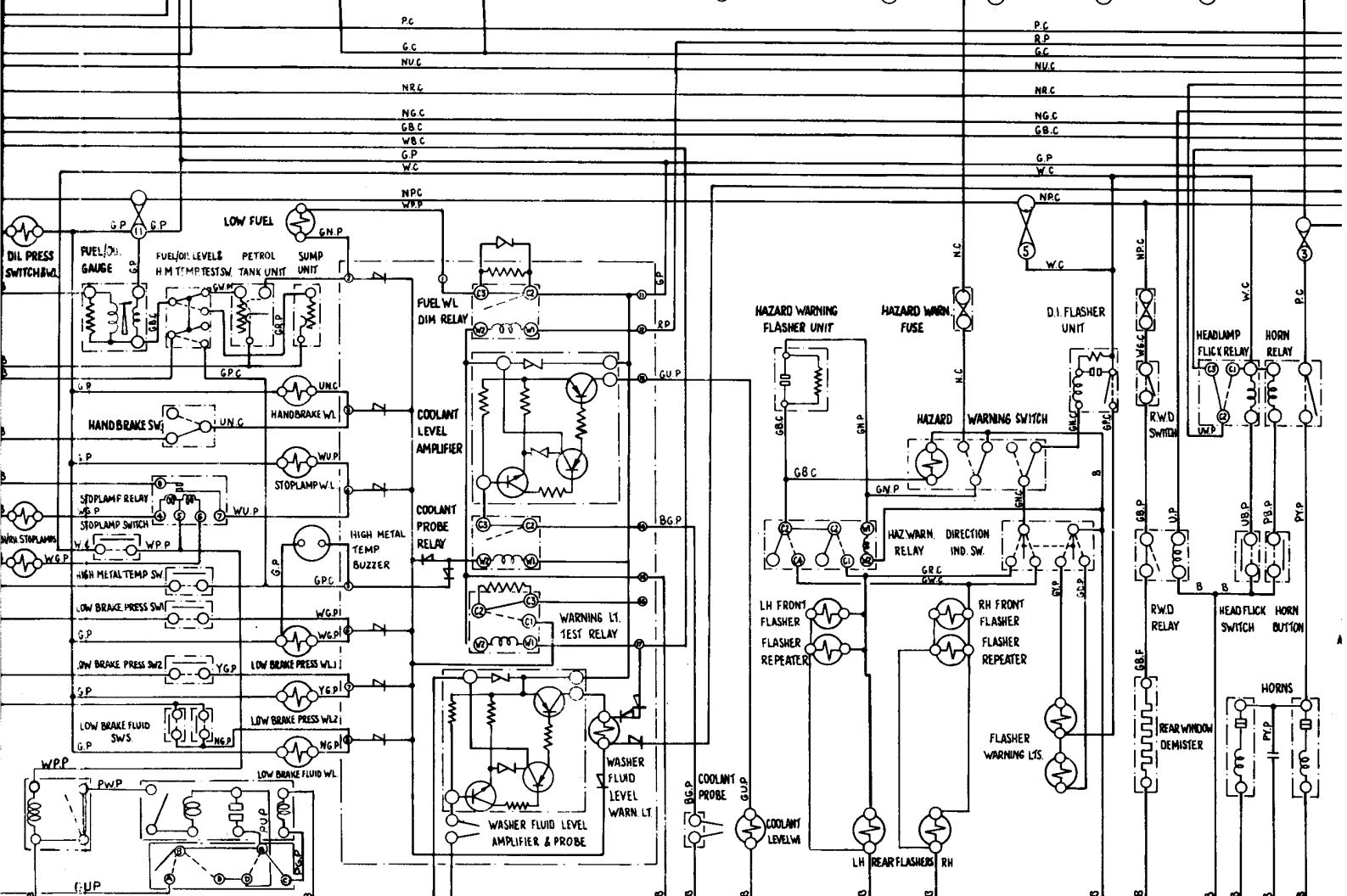
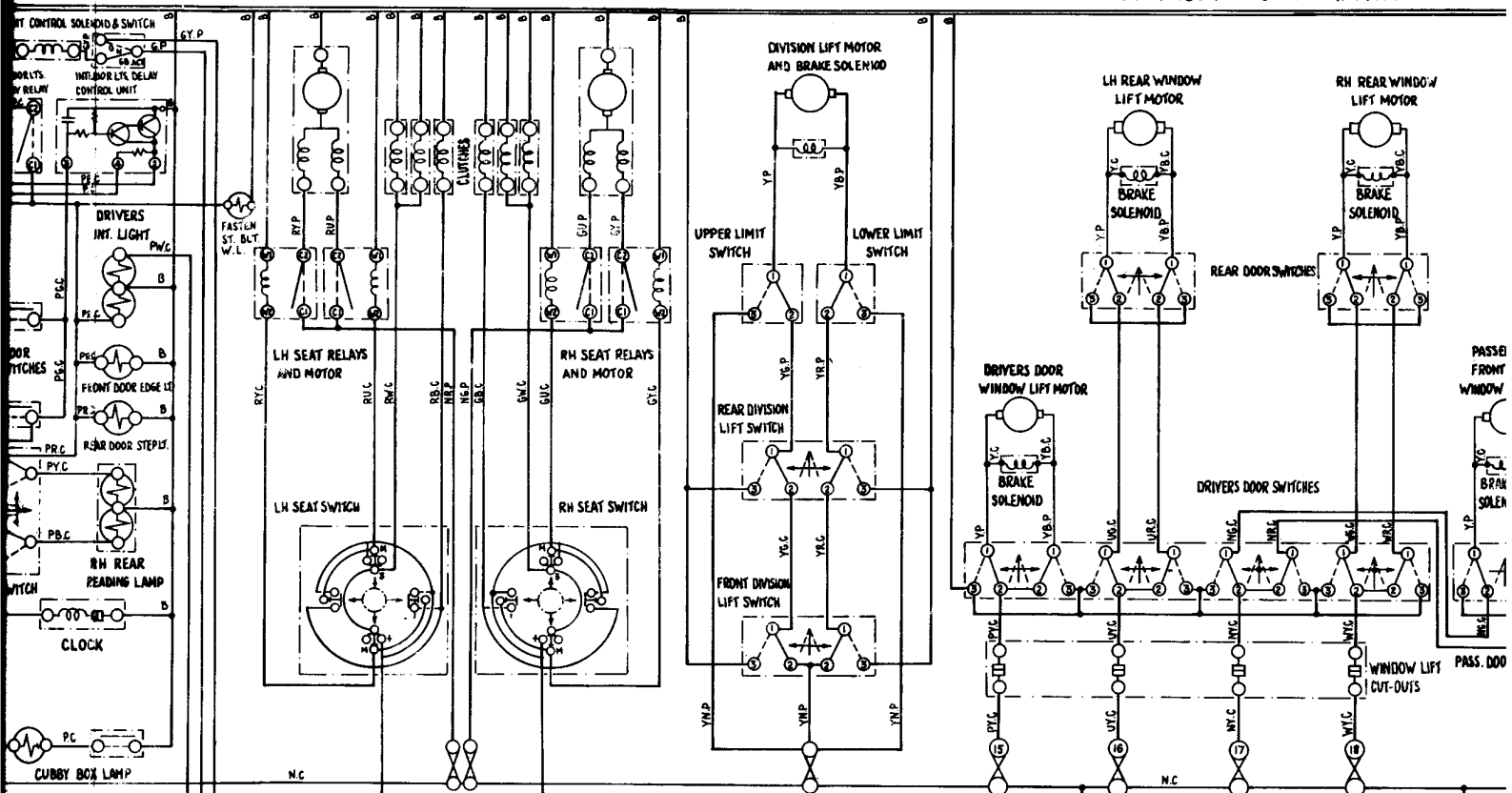


RIGHT CONTROL
LOCK

ELECTRICALLY OPERATED SEATS

DIVISION LIFT

ELECTRIC WINDOW LIFTS WITH P.M. MOTORS



SPEED CONTROL

STOPLAMPS, WARNING LIGHTS, FUEL/OIL GAUGE,
HIGH METAL TEMPERATURE BUZZER, COOLANT PROBE

DIRECTION INDICATORS, HAZARD WARNING

REAR WINDOW DEMISTER
HORNS

WITH P.M. MOTORS

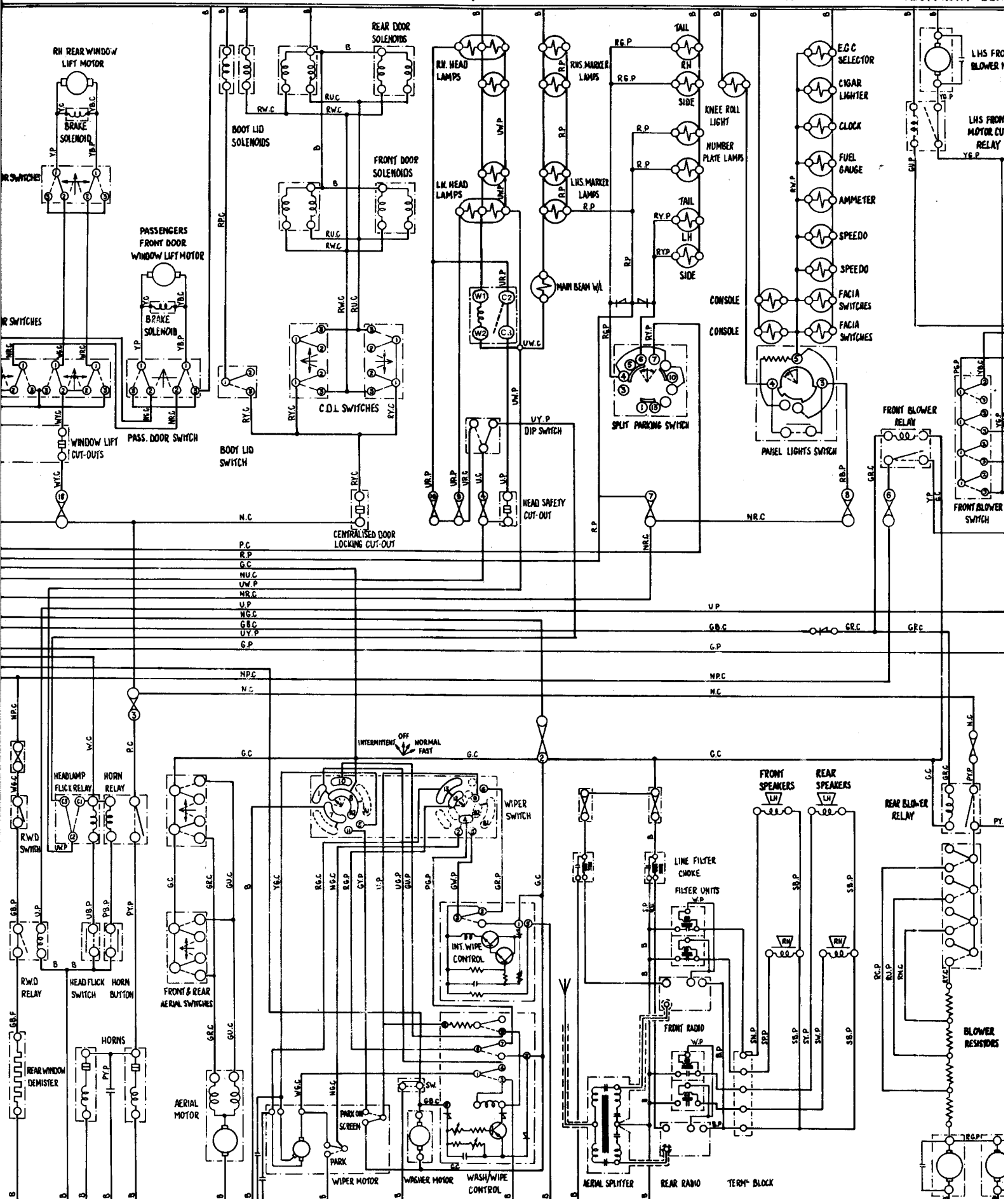
CENTRALISED DOOR & BOOT LID LOCKING

HEADLAMPS

SIDELAMPS

PANEL LIGHTS

ACU. FRONT BLOWER



REAR WINDOW DEMISTER

HORNS

AERIAL

WINDSCREEN WIPER & WASHER

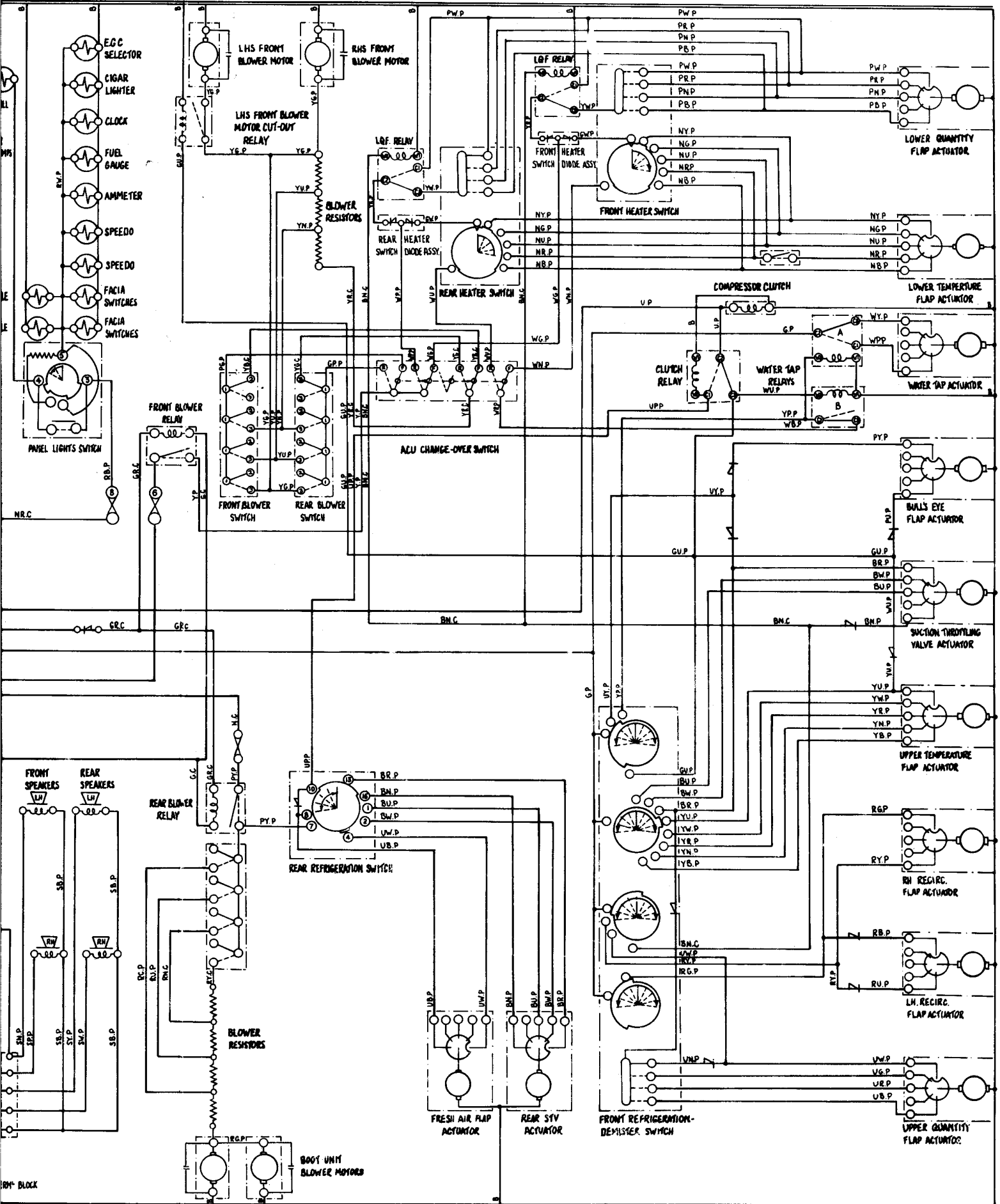
STEREO RADIO

BOOT RI

PANEL LIGHTS

A/C FRONT BLOWER MOTORS

AIR CONDITIONING SYSTEM



BOOT REFRIGERATION UNIT

THEORETICAL WIRING DIAGRAM

Sheet 5

For
Rolls-Royce Silver Shadow
and
Bentley T Series

LEFT-HAND DRIVE LONG WHEELBASE DIVISION CARS FOR COUNTRIES OTHER THAN USA AND CANADA FROM CAR SERIAL NUMBER 22073

T.S.D. Publication 4147

© Rolls-Royce Motors Limited 1975

"This document is the property of Rolls-Royce Motors Limited and may not be copied or communicated to a third party or used for any purpose other than that for which it is supplied without the express written authority of Rolls-Royce Motors Limited."

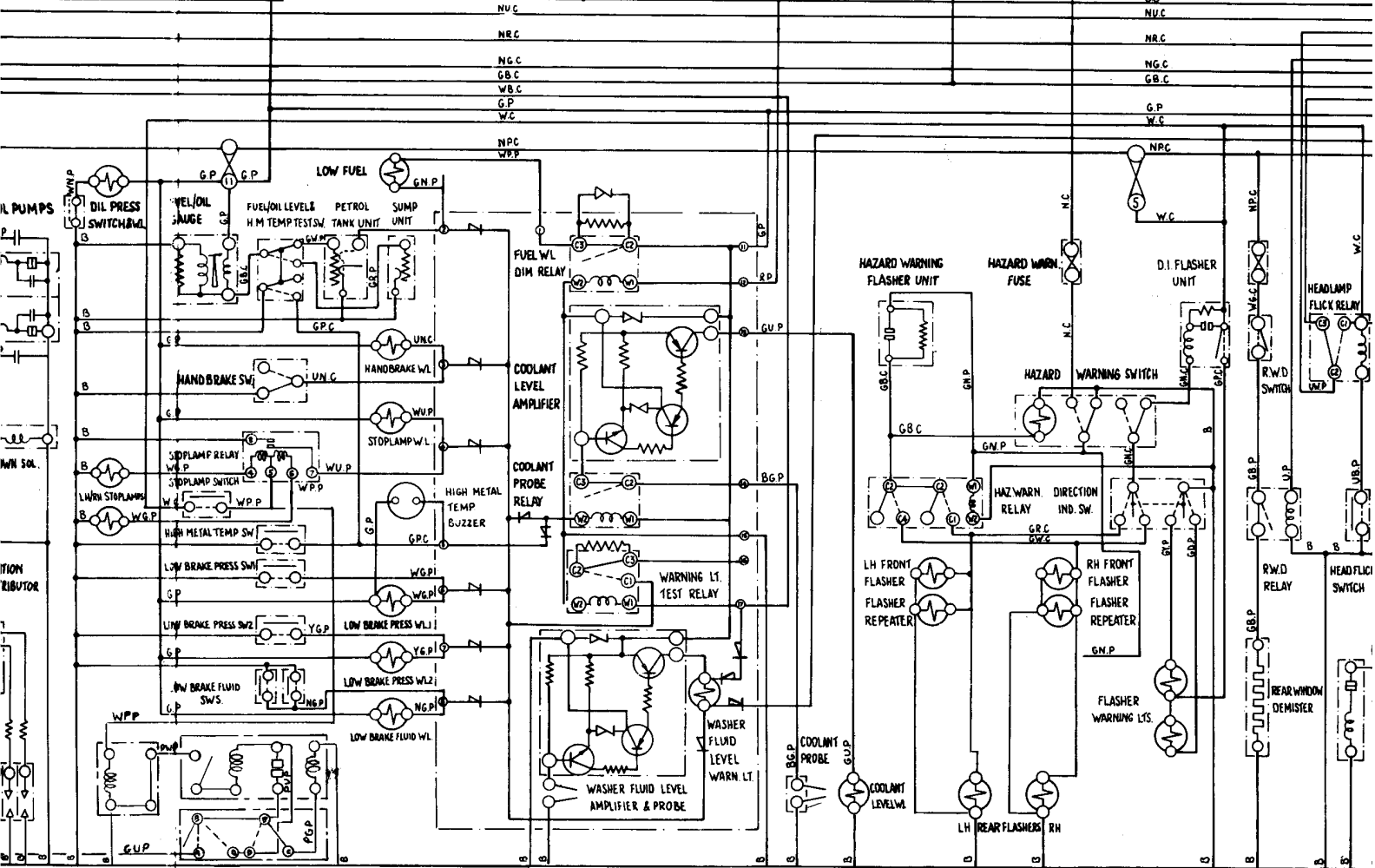
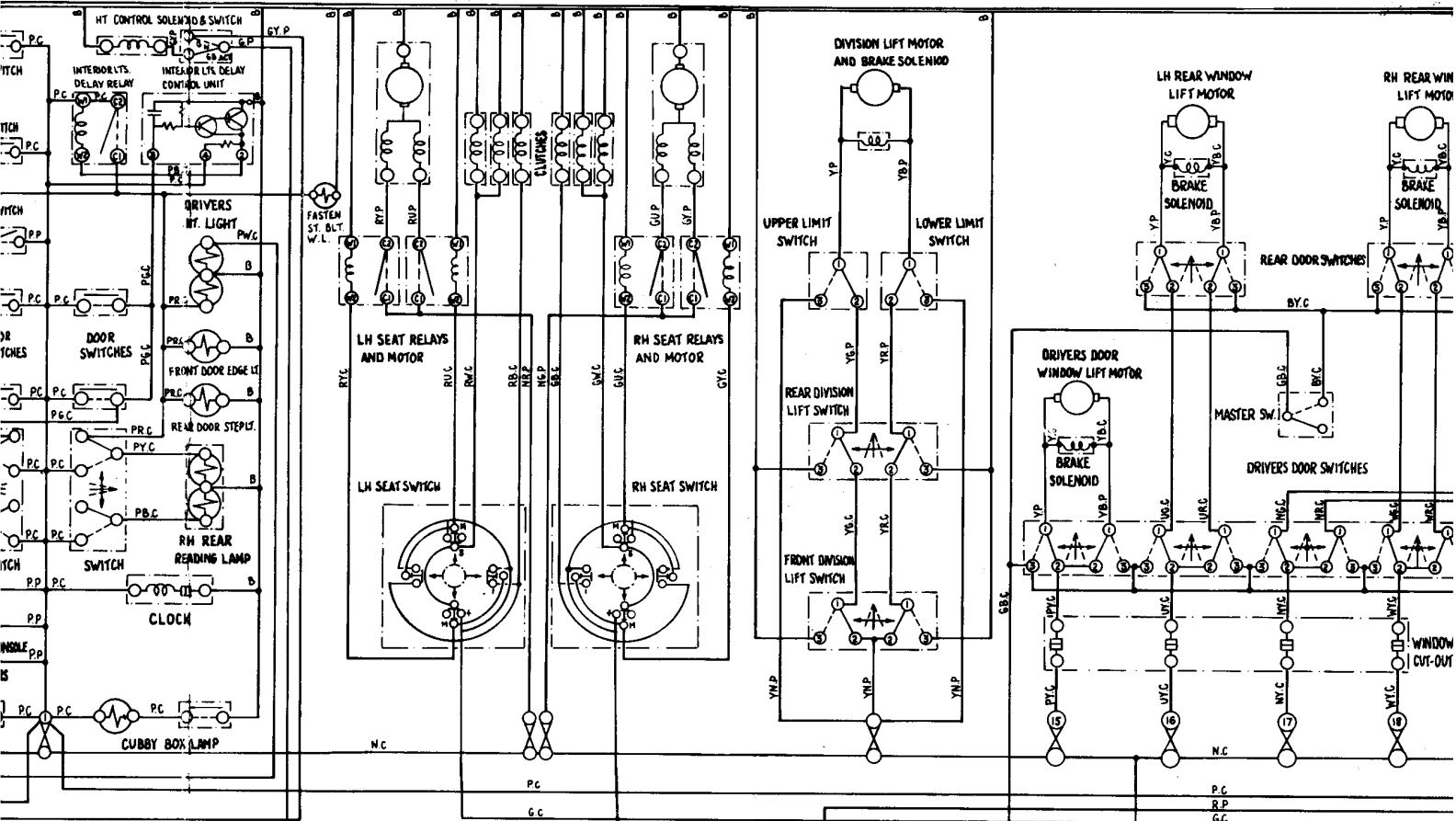
"Whilst the information in this document given in good faith based upon the latest knowledge available to Rolls-Royce Motors Limited, Rolls-Royce Motors Limited gives no warranty or representation concerning such information, and such information must not be taken as establishing any contractual or other commitment on the part of Rolls-Royce Motors Limited."

HEIGHT CONTROL
CLOCK

ELECTRICALLY OPERATED SEATS

DIVISION LIFT

ELECTRIC WINDOW LIFTS WITH P.M. MOTOR



SPEED CONTROL

STOPLAMPS, WARNING LIGHTS, FUEL/OIL GAUGE,
HIGH METAL TEMPERATURE BUZZER, COOLANT PROBE

DIRECTION INDICATORS, HAZARD WARNING

REAR WINDOW
DEMISTER

WINDOW LIFTS WITH P.M. MOTORS

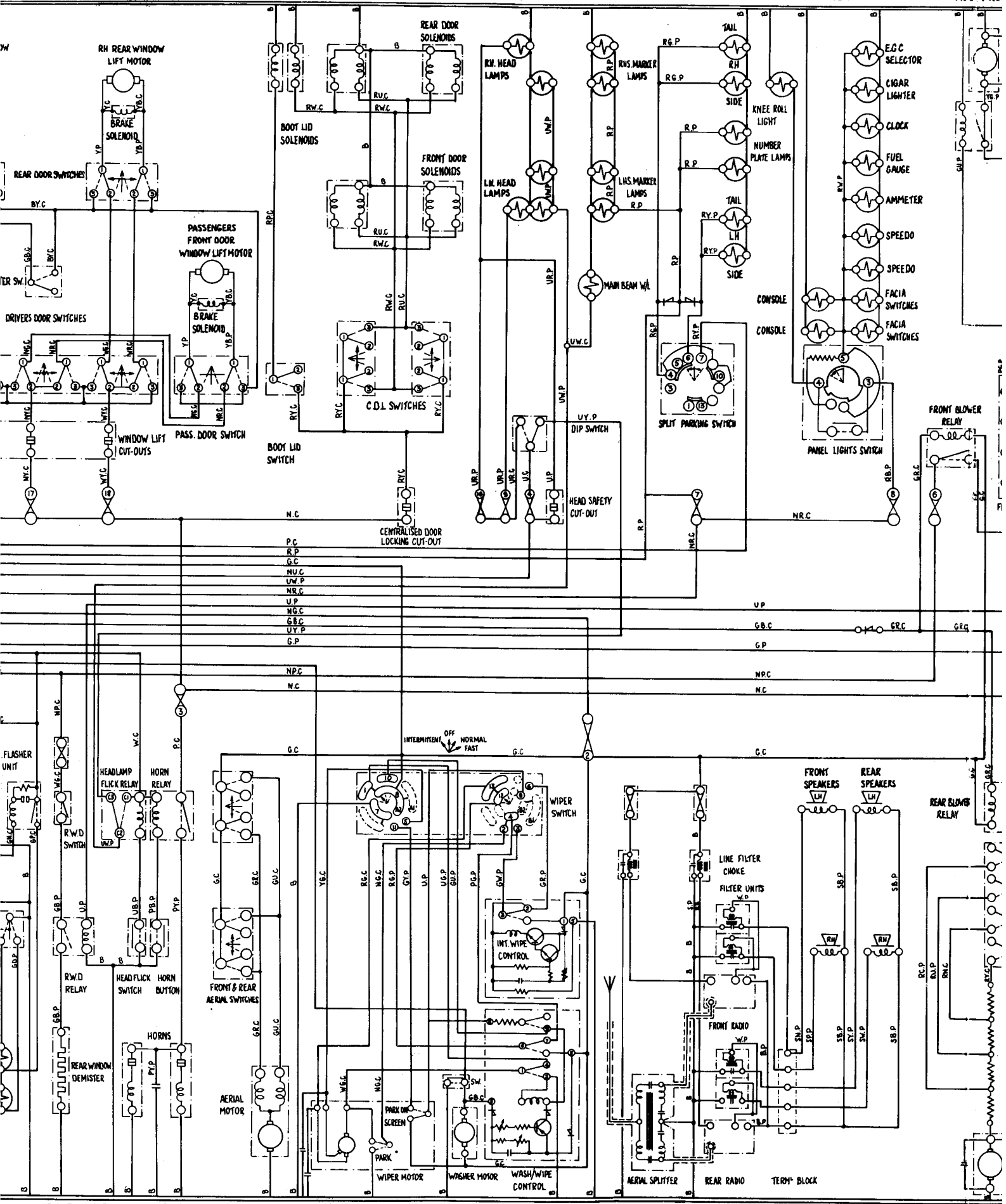
CENTRALISED DOOR & BOOT LID LOCKING

QH HEADLAMPS

SIDELAMPS

PANEL LIGHTS

ACU FRO



REAR WINDOW DEMISTER

HORNS

AERIAL

WINDSCREEN WIPER & WASHER

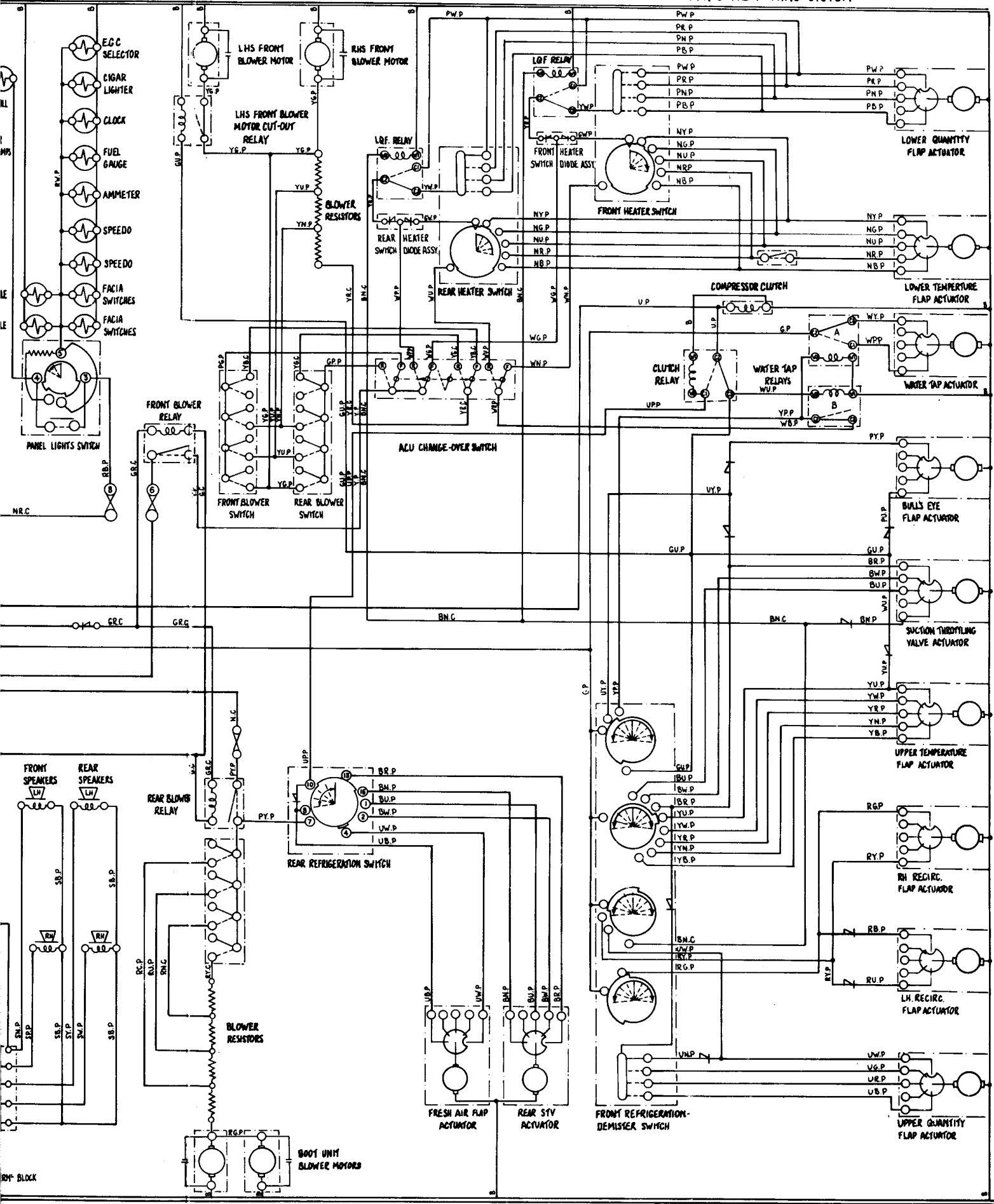
STEREO RADIO

REAR BLOWER RELAY

PANEL LIGHTS

ACU FRONT BLOWER MOTORS

AIR CONDITIONING SYSTEM



BOOT REFRIGERATION UNIT

PRACTICAL WIRING DIAGRAM

Sheet 6

STARTING AND IGNITION CIRCUIT

For
Rolls-Royce Silver Shadow
and
Bentley T Series

**SALOON AND LONG WHEELBASE NON-
DIVISION CARS FOR USA AND CANADA
FROM CAR SERIAL NUMBERS
22118 AND 22073**

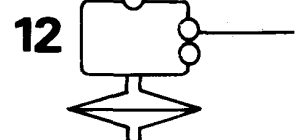
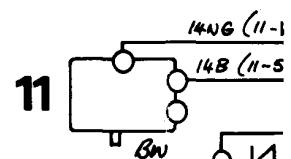
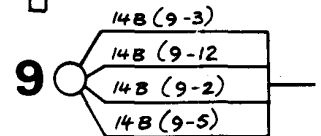
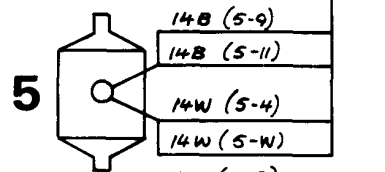
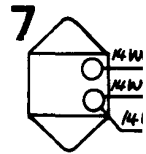
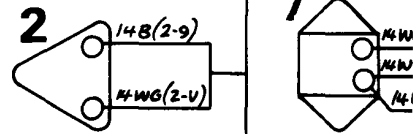
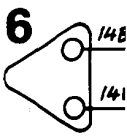
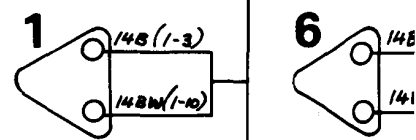
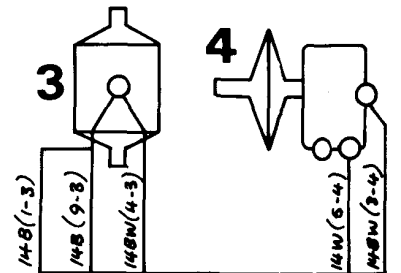
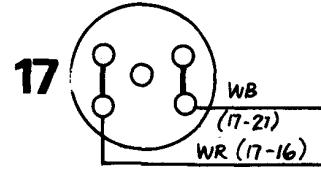
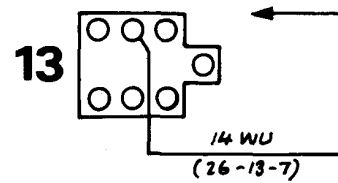
T.S.D. Publication 2476

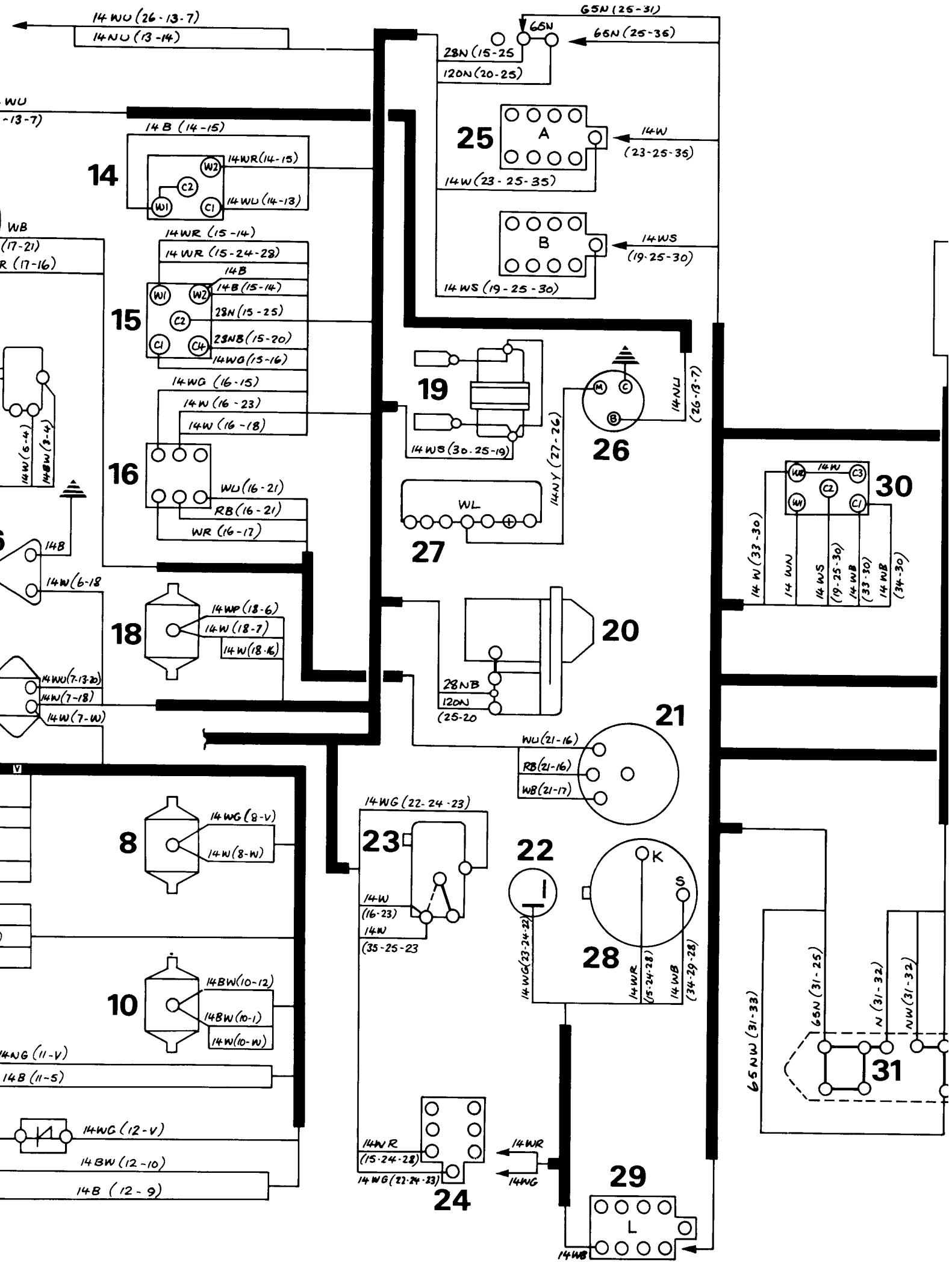
© Rolls-Royce Motors Limited 1976

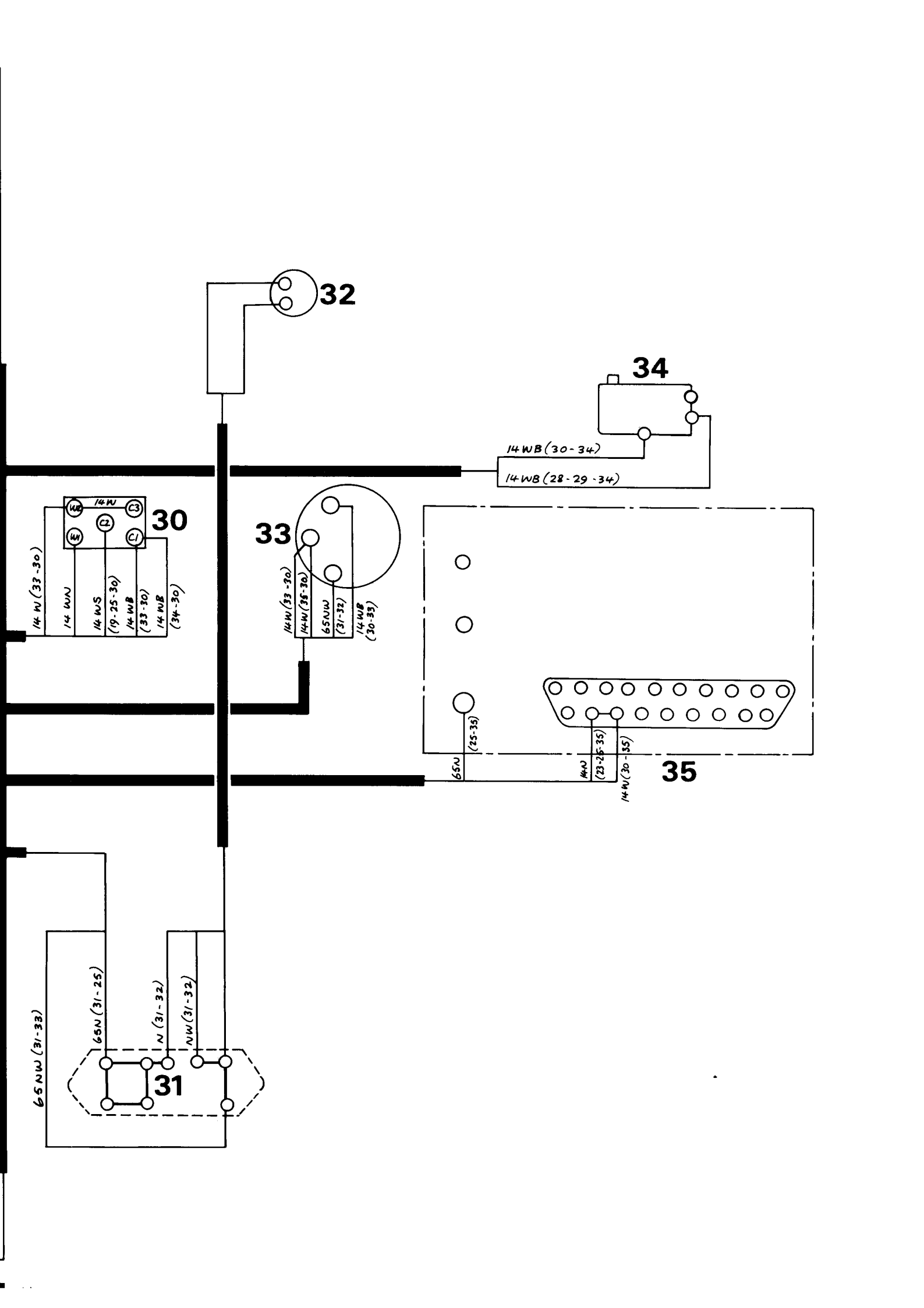
"This document is the property of Rolls-Royce Motors Limited and may not be copied or communicated to a third party or used for any purpose other than that for which it is supplied without the express written authority of Rolls-Royce Motors Limited."

"Whilst the information in this document given in good faith based upon the latest knowledge available to Rolls-Royce Motors Limited. Rolls-Royce Motors Limited gives no warranty or representation concerning such information, and such information must not be taken as establishing any contractual or other commitment on the part of Rolls-Royce Motors Limited."

- 1 Exhaust gas recirculation valve (secondary)
- 2 Exhaust gas recirculation valve (primary)
- 3 Air diverter solenoid valve
- 4 Air diverter vacuum switch
- 5 Anti-diesel solenoid valve
- 6 Weaker cut-off thermal switch
- 7 Choke solenoid
- 8 Exhaust gas recirculation solenoid 1
- 9 Earth point
- 10 Exhaust gas recirculation solenoid 2
- 11 Full throttle switch
- 12 Exhaust gas recirculation valve vacuum switch
- 13 Right-hand valance plug
- 14 Choke-on-start relay
- 15 Starter relay
- 16 Ballast resistor
- 17 Ignition coil
- 18 Weaker cut-off solenoid
- 19 Fuel pumps
- 20 Starter motor & relay
- 21 Ignition distributor
- 22 Kick-down solenoid
- 23 Kick-down switch
- 24 Left-hand valance plug
- 25 Right-hand toeboard sockets
- 26 Choke thermal delay switch
- 27 Voltage regulator
- 28 Gearchange actuator
- 29 Left-hand toeboard socket
- 30 Fuel pumps relay
- 31 Ammeter shunt
- 32 Ammeter
- 33 Switchbox
- 34 Column neutral start switch
- 35 Fuseboard







PRACTICAL WIRING DIAGRAM

Sheet 7

CHARGING CIRCUIT

For
Rolls-Royce Silver Shadow
and
Bentley T Series

**RIGHT-HAND DRIVE SALOON AND LONG
WHEELBASE NON-DIVISION CARS FROM
CAR SERIAL NUMBERS
22118 AND 22073**

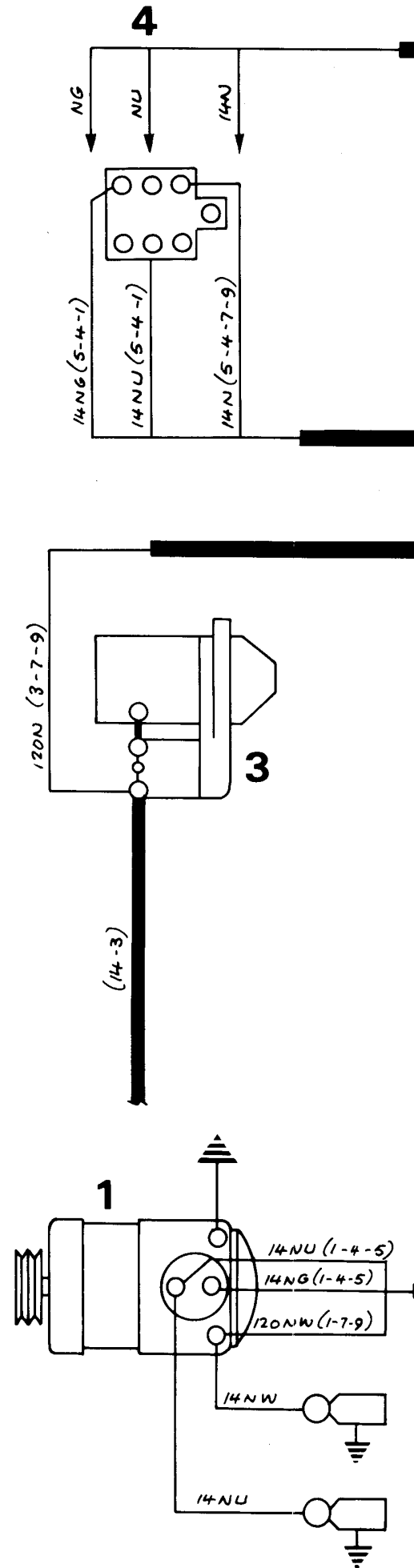
T.S.D. Publication 2476

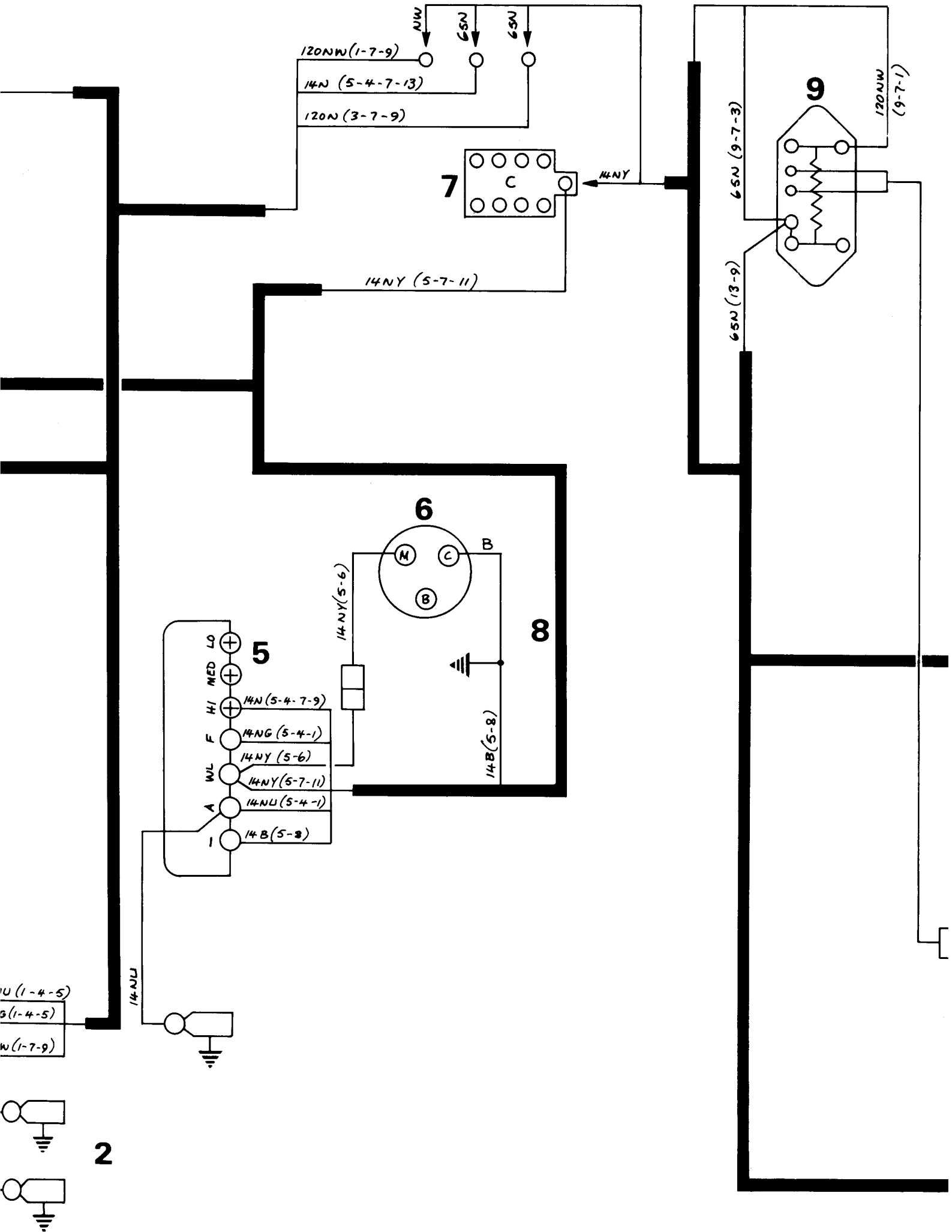
© Rolls-Royce Motors Limited 1976

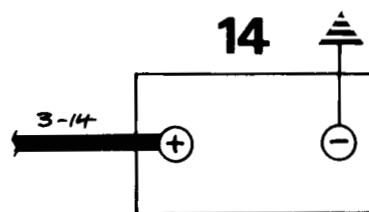
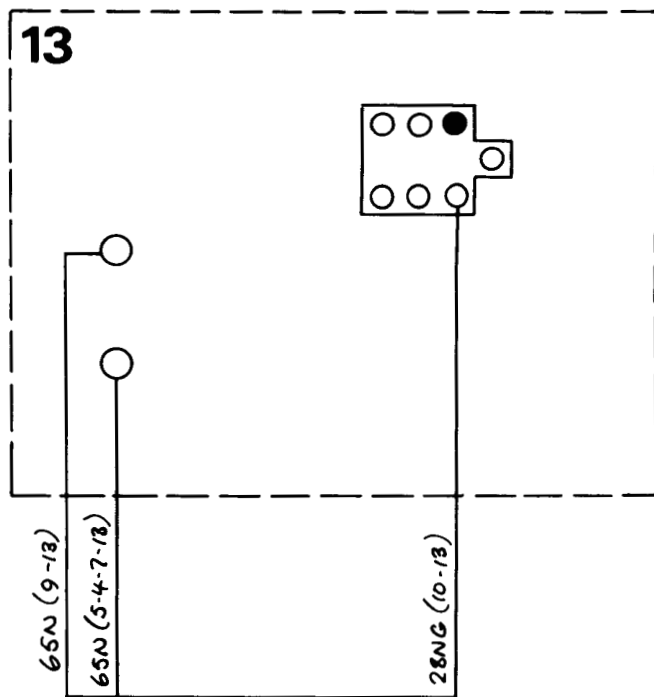
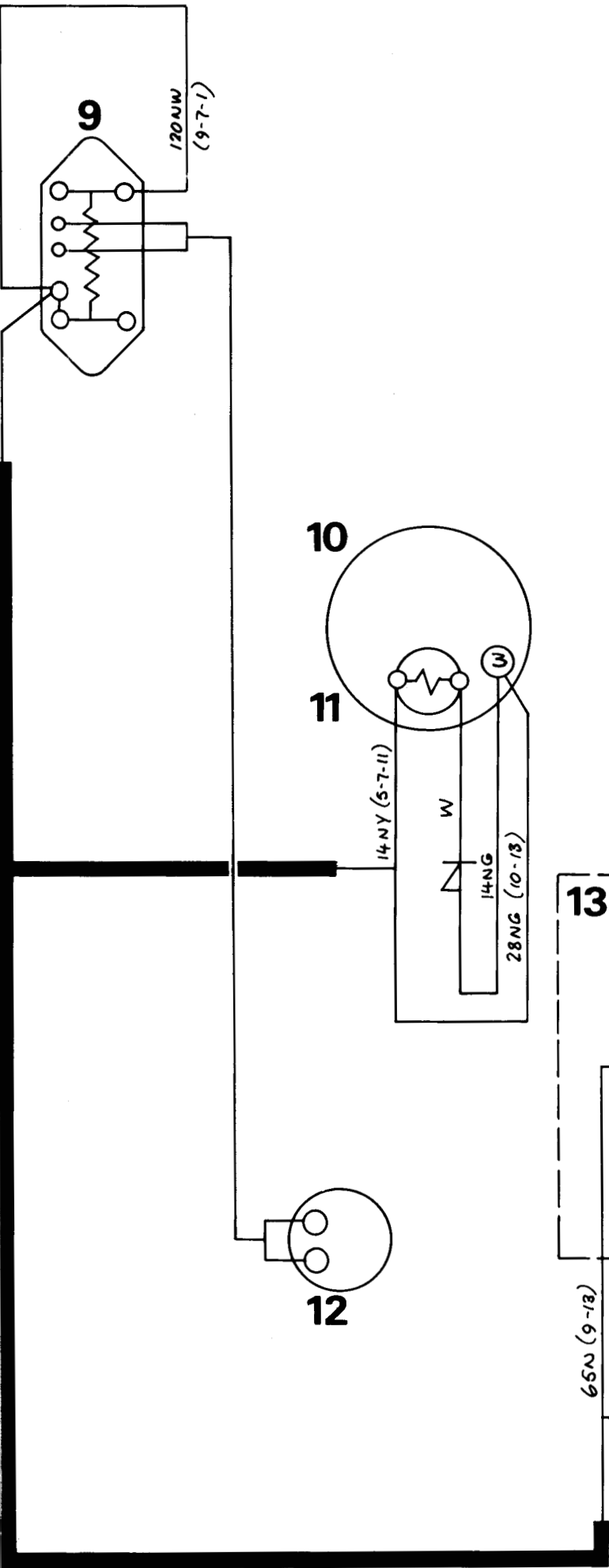
"This document is the property of Rolls-Royce Motors Limited and may not be copied or communicated to a third party or used for any purpose other than that for which it is supplied without the express written authority of Rolls-Royce Motors Limited."

"Whilst the information in this document given in good faith based upon the latest knowledge available to Rolls-Royce Motors Limited. Rolls-Royce Motors Limited gives no warranty or representation concerning such information, and such information must not be taken as establishing any contractual or other commitment on the part of Rolls-Royce Motors Limited."

- 1 Alternator
- 2 Capacitors
- 3 Starter solenoid
- 4 Right-hand valance socket
- 5 Regulator
- 6 Choke thermal delay unit
- 7 Right-hand toeboard socket
- 8 Relay board earth
- 9 Ammeter shunt
- 10 Switchbox
- 11 Alternator warning lamp
- 12 Ammeter
- 13 Fuseboard
- 14 Battery







PRACTICAL WIRING DIAGRAM

Sheet 8

EXTERIOR LIGHTING

For
Rolls-Royce Silver Shadow
and
Bentley T Series

RIGHT-HAND DRIVE SALOON AND LONG WHEELBASE NON-DIVISION CARS FROM CAR SERIAL NUMBERS 22118 AND 22073

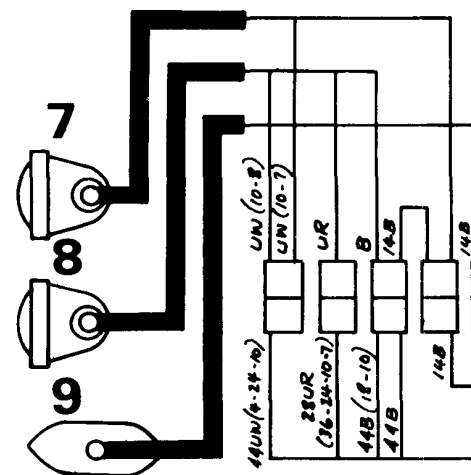
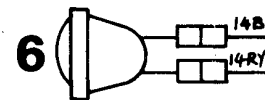
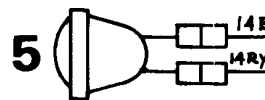
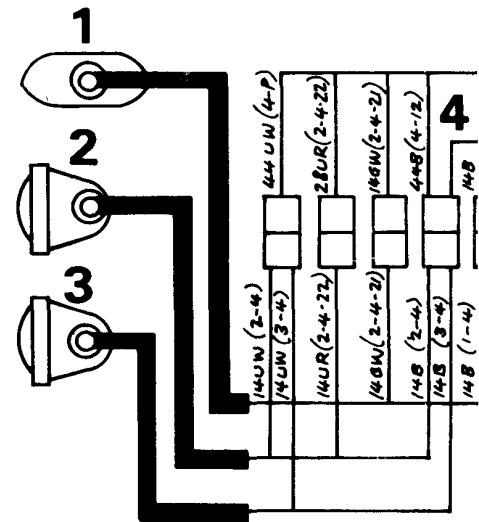
T.S.D. Publication 2476

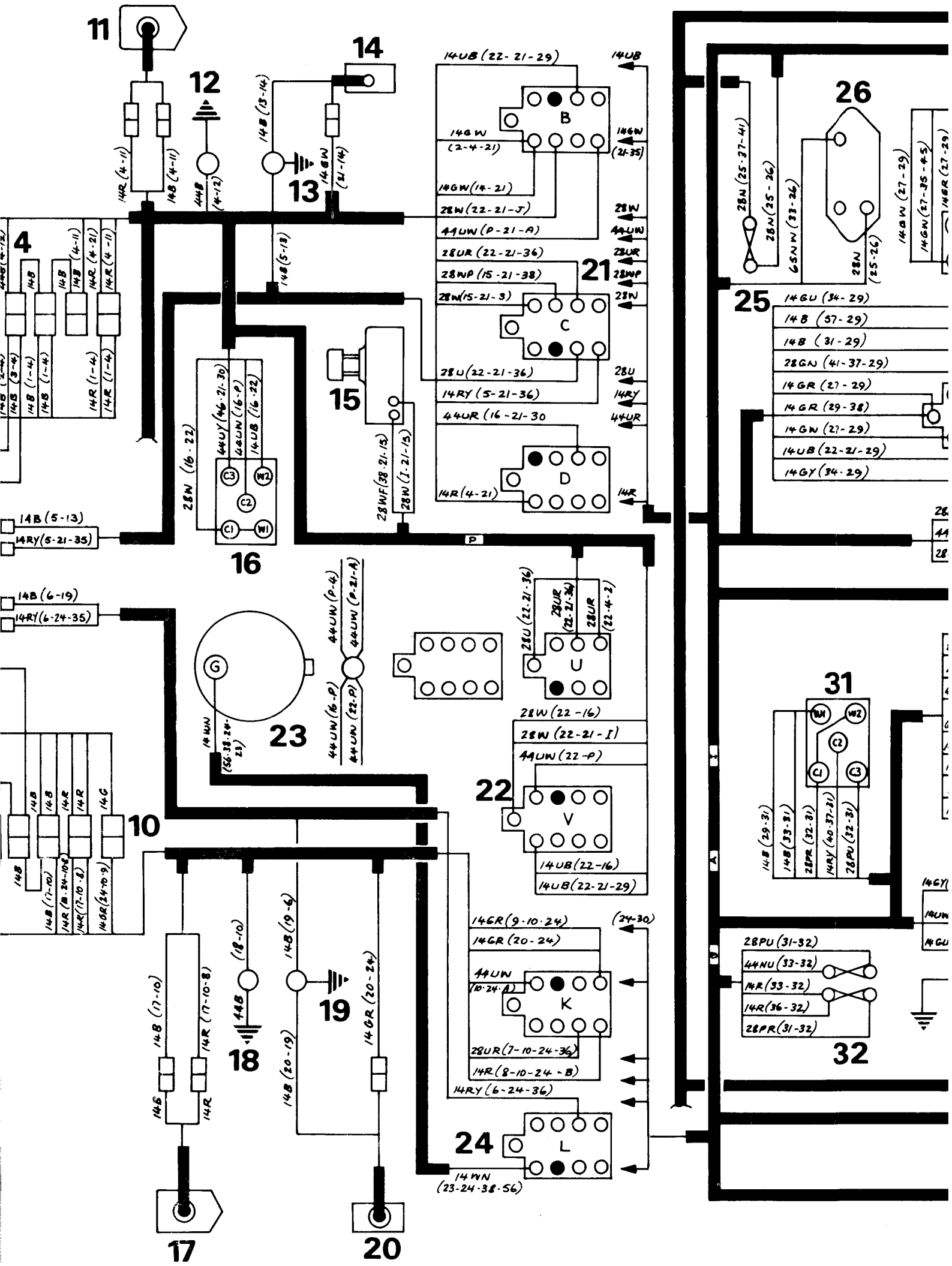
© Rolls-Royce Motors Limited 1976

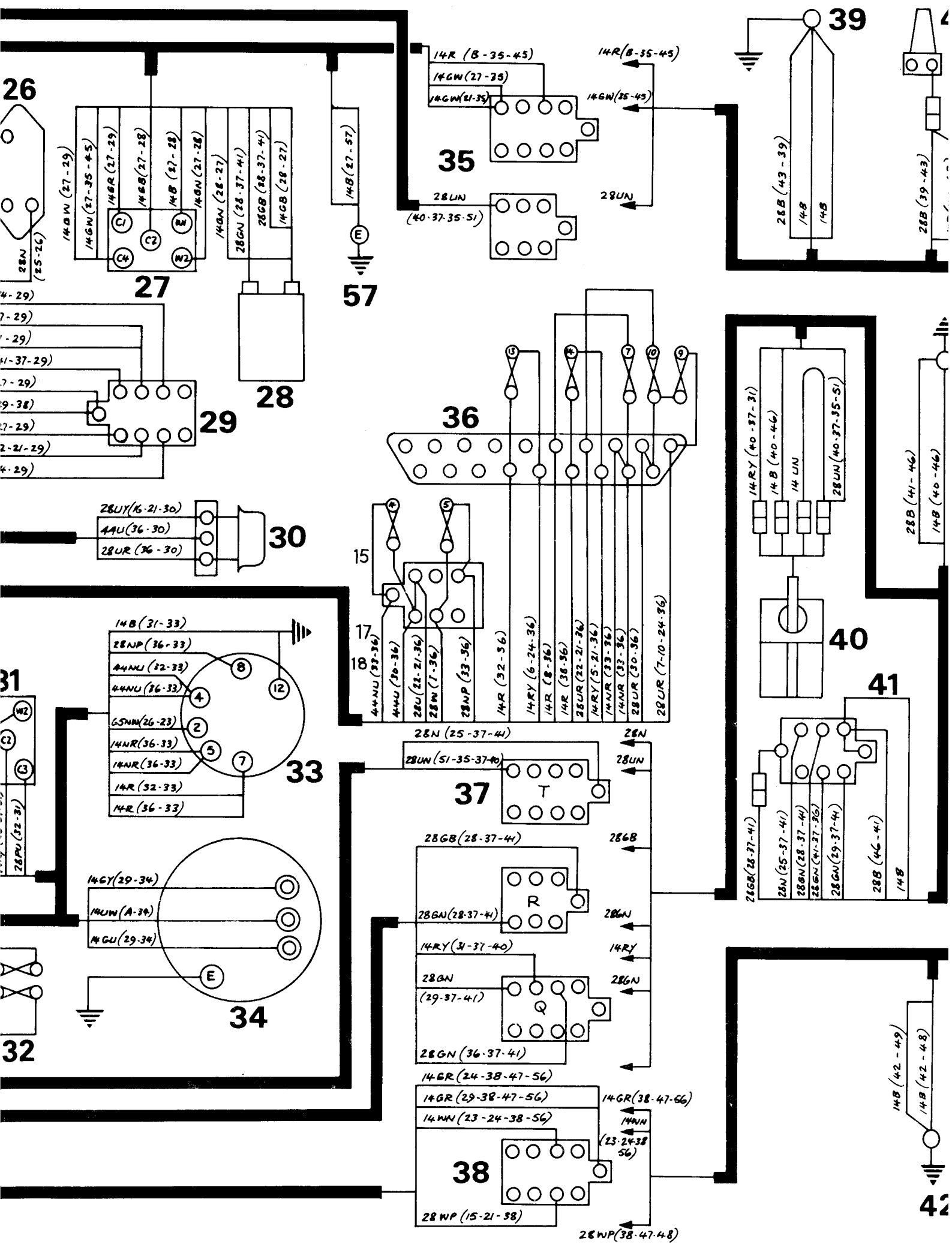
"This document is the property of Rolls-Royce Motors Limited and may not be copied or communicated to a third party or used for any purpose other than that for which it is supplied without the express written authority of Rolls-Royce Motors Limited."

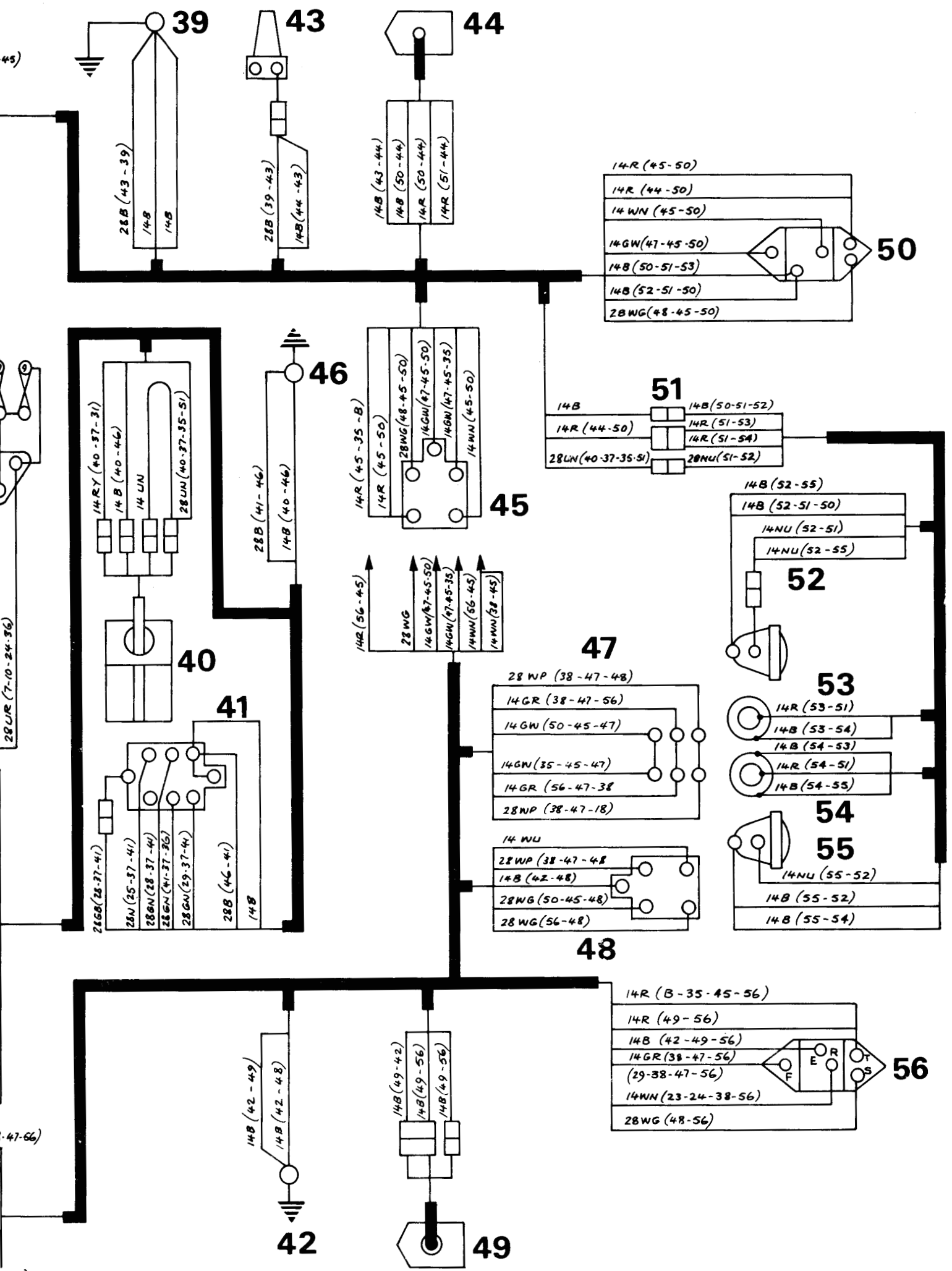
"Whilst the information in this document given in good faith based upon the latest knowledge available to Rolls-Royce Motors Limited. Rolls-Royce Motors Limited gives no warranty or representation concerning such information, and such information must not be taken as establishing any contractual or other commitment on the part of Rolls-Royce Motors Limited."

- 1 Right-hand side/flasher lamp
- 2 Right-hand headlamp (outer)
- 3 Right-hand headlamp (inner)
- 4 Right-hand snap connector block
- 5 Right-hand foglamp
- 6 Left-hand foglamp
- 7 Left-hand headlamp (inner)
- 8 Left-hand headlamp (outer)
- 9 Left-hand side/flasher lamp
- 10 Left-hand snap connector block
- 11 Right-hand front side marker lamp
- 12 Right-hand spring pot earth
- 13 Right-hand valance earth
- 14 Right-hand flasher repeater
- 15 Stoplamp switch
- 16 Head flash relay
- 17 Left-hand front side marker lamp
- 18 Left-hand spring pot earth
- 19 Left-hand valance earth
- 20 Left-hand flasher repeater
- 21 Right-hand toeboard sockets
- 22 Relay printed circuit board
- 23 Gearchange actuator
- 24 Left-hand toeboard sockets
- 25 Hazard warning fuse
- 26 Ammeter shunt
- 27 Hazard flasher relay
- 28 Hazard flasher unit
- 29 Flasher switch socket
- 30 Dipswitch
- 31 Rear foglamp relay
- 32 Rear foglamp fuses
- 33 Switchbox
- 34 Speedometer
- 35 Right-hand 'A' body socket
- 36 Fuseboard
- 37 Console sockets
- 38 Left-hand 'A' post body sockets
- 39 Right-hand boot earth
- 40 Rear foglamp warning lamp/switch
- 41 Hazard warning switch
- 42 Left-hand boot earth
- 43 Petrol filler door solenoid
- 44 Right-hand side marker lamp
- 45 Boot socket
- 46 Tunnel earth
- 47 Dimming relay connections
- 48 Stoplamp relay socket
- 49 Left-hand rear side marker lamp
- 50 Right-hand rear lamp
- 51 Number plate loom connector
- 52 Right-hand rear foglamp
- 53 Right-hand number plate lamp
- 54 Left-hand number plate lamp
- 55 Left-hand rear foglamp
- 56 Left-hand rear lamp
- 57 Right-hand 'A' post upper earth









PRACTICAL WIRING DIAGRAM

Sheet 9

INTERIOR LIGHTING

For
Rolls-Royce Silver Shadow
and
Bentley T Series

**SALOON AND LONG WHEELBASE NON-
DIVISION CARS FOR USA AND CANADA
FROM CAR SERIAL NUMBERS
22118 AND 22073**

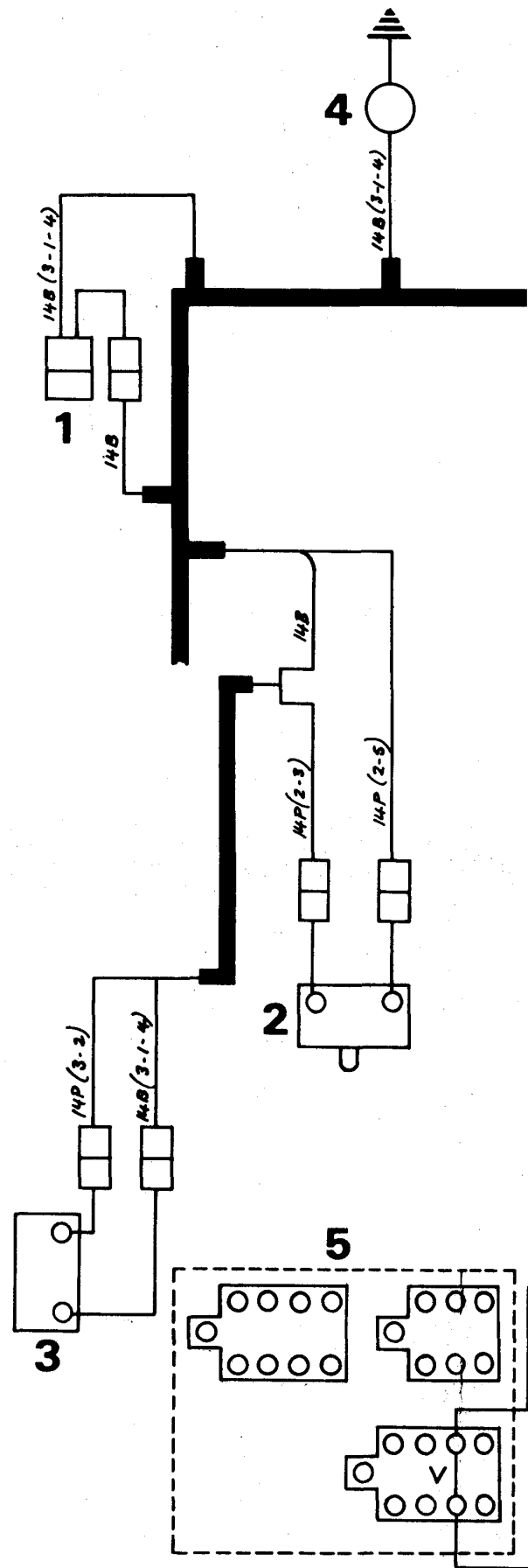
T.S.D. Publication 2476

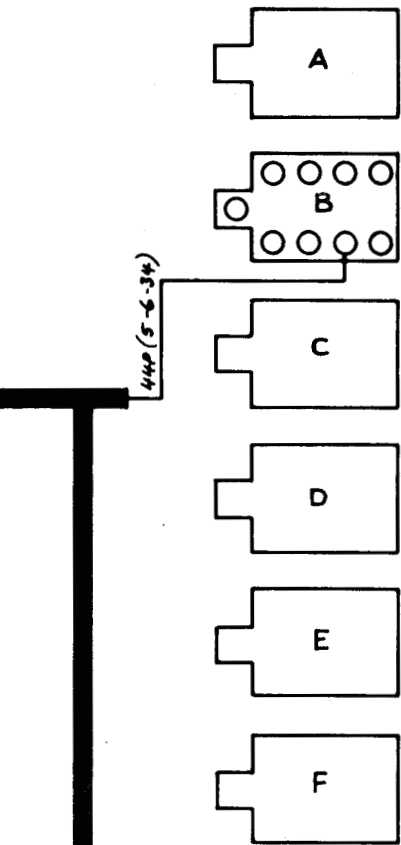
© Rolls-Royce Motors Limited 1976

"This document is the property of Rolls-Royce Motors Limited and may not be copied or communicated to a third party or used for any purpose other than that for which it is supplied without the express written authority of Rolls-Royce Motors Limited."

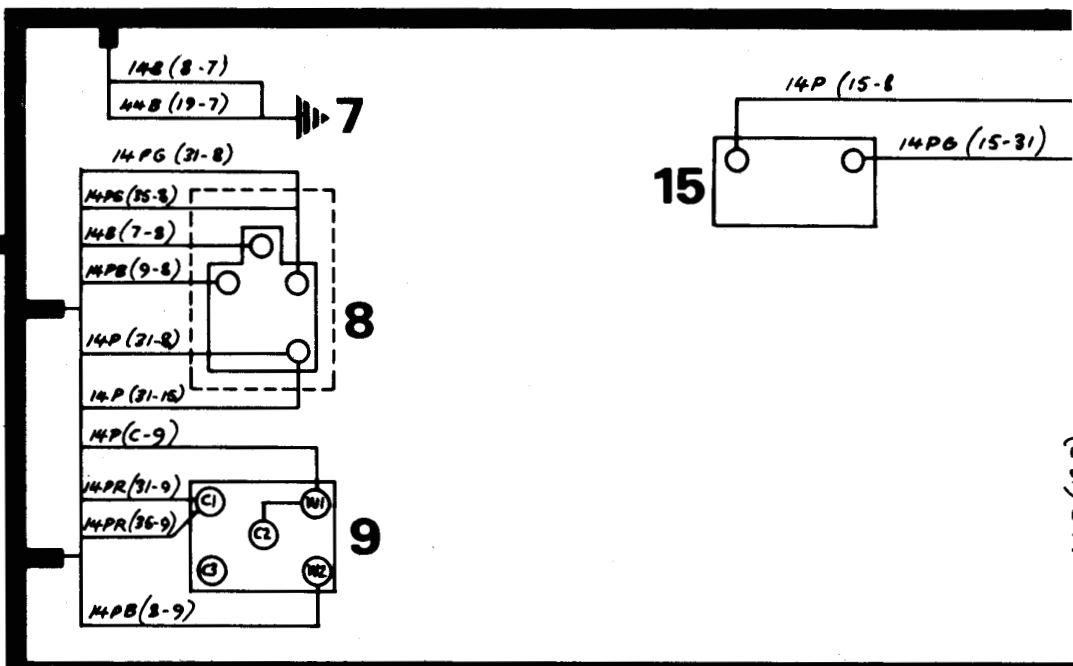
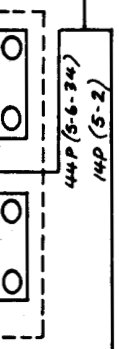
"Whilst the information in this document given in good faith based upon the latest knowledge available to Rolls-Royce Motors Limited. Rolls-Royce Motors Limited gives no warranty or representation concerning such information, and such information must not be taken as establishing any contractual or other commitment on the part of Rolls-Royce Motors Limited."

- 1 Right-hand snap connector block
- 2 Underbonnet lamp switch
- 3 Underbonnet lamp
- 4 Right-hand front earth
- 5 Relay printed circuit board
- 6 Right-hand toeboard sockets
- 7 Right-hand 'A' post earth
- 8 Interior lamps delay unit
- 9 Interior lamps delay relay
- 10 Transistor unit
- 11 Speed control panel
- 12 Zener diode
- 13 Fuse connector
- 14 Resistor unit
- 15 Right-hand front door switch
- 16 Right-hand interior lamp switch (front)
- 17 Cubby box lamp switch
- 18 Cubby box lamp
- 19 Instrument panel earth
- 20 Right-hand facia switch lamp
- 21 Panel lamp switch
- 22 Clock
- 23 Left-hand facia switch lamp
- 24 Fuel/Oil level gauge
- 25 Ammeter
- 26 Seat belt diode
- 27 Left-hand front door switch
- 28 Instrument link loom connection
- 29 Speedometer
- 30 Switchbox
- 31 Right-hand 'A' post sockets
- 32 Console sockets
- 33 Gearchange illumination
- 34 Fuseboard
- 35 Left-hand 'A' post sockets
- 36 Right-hand front interior lamp
- 37 Right-hand rear door switch
- 38 Console illumination
- 39 Cigar lighter
- 40 Hazard warning switch
- 41 Left-hand rear door switch
- 42 Left-hand front interior lamp
- 43 Right-hand rear interior lamp
- 44 Right-hand reading lamp switch
- 45 Boot lamp switch
- 46 Tunnel earth
- 47 Boot lamp
- 48 Left-hand rear interior lamp
- 49 Left-hand boot earth
- 50 Left-hand reading lamp switch
- 51 Right-hand boot earth





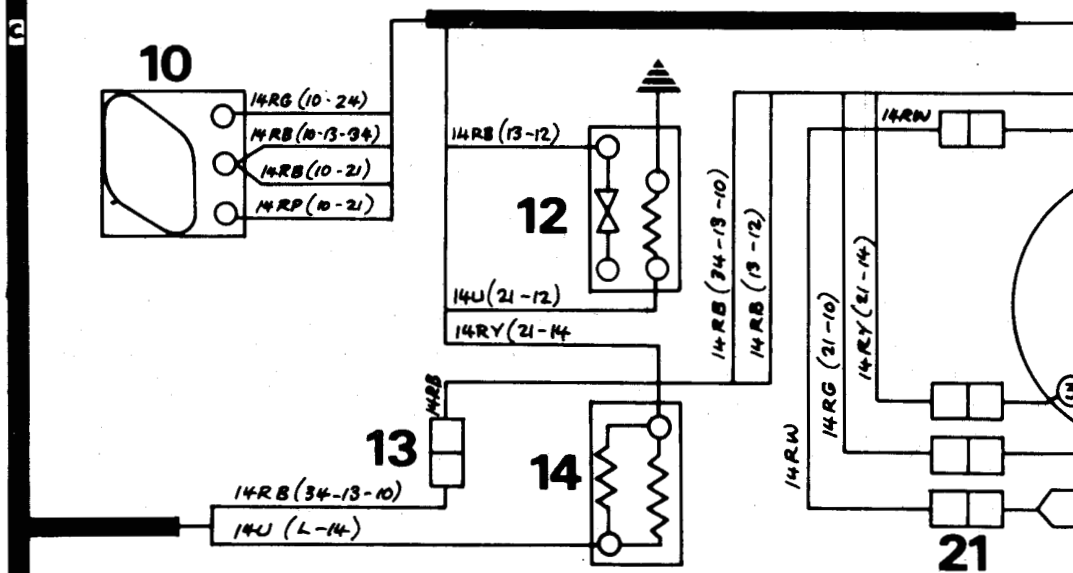
6



8

9

15



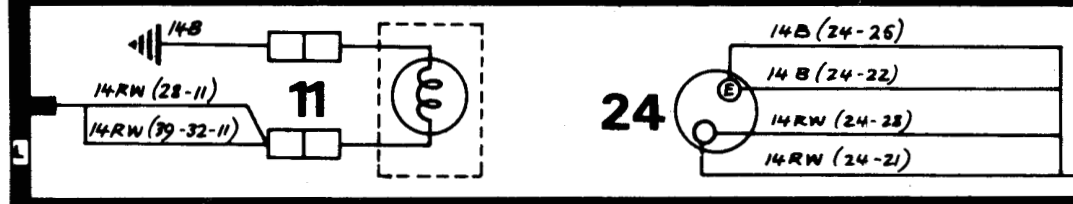
10

12

13

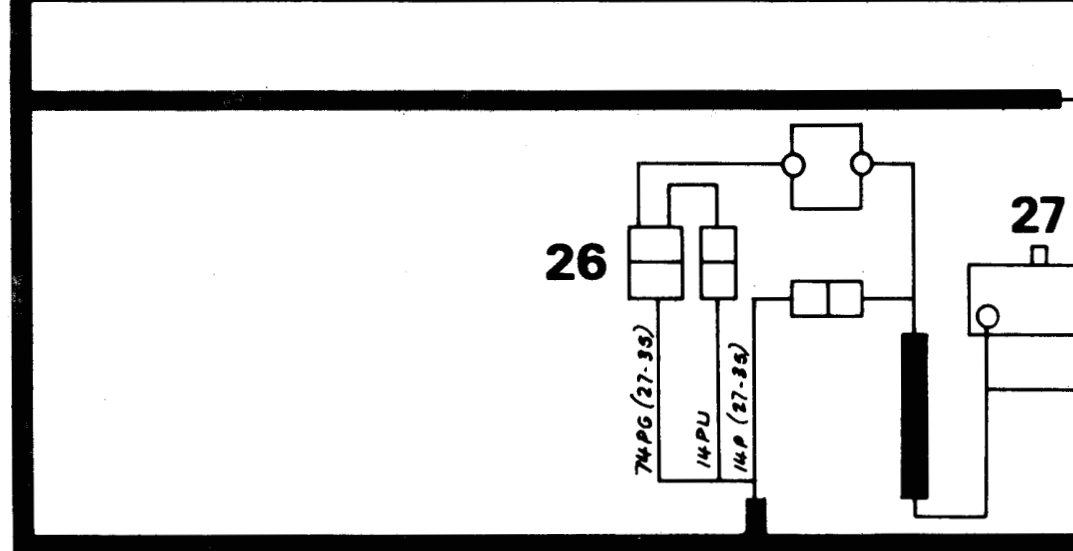
14

21



11

24



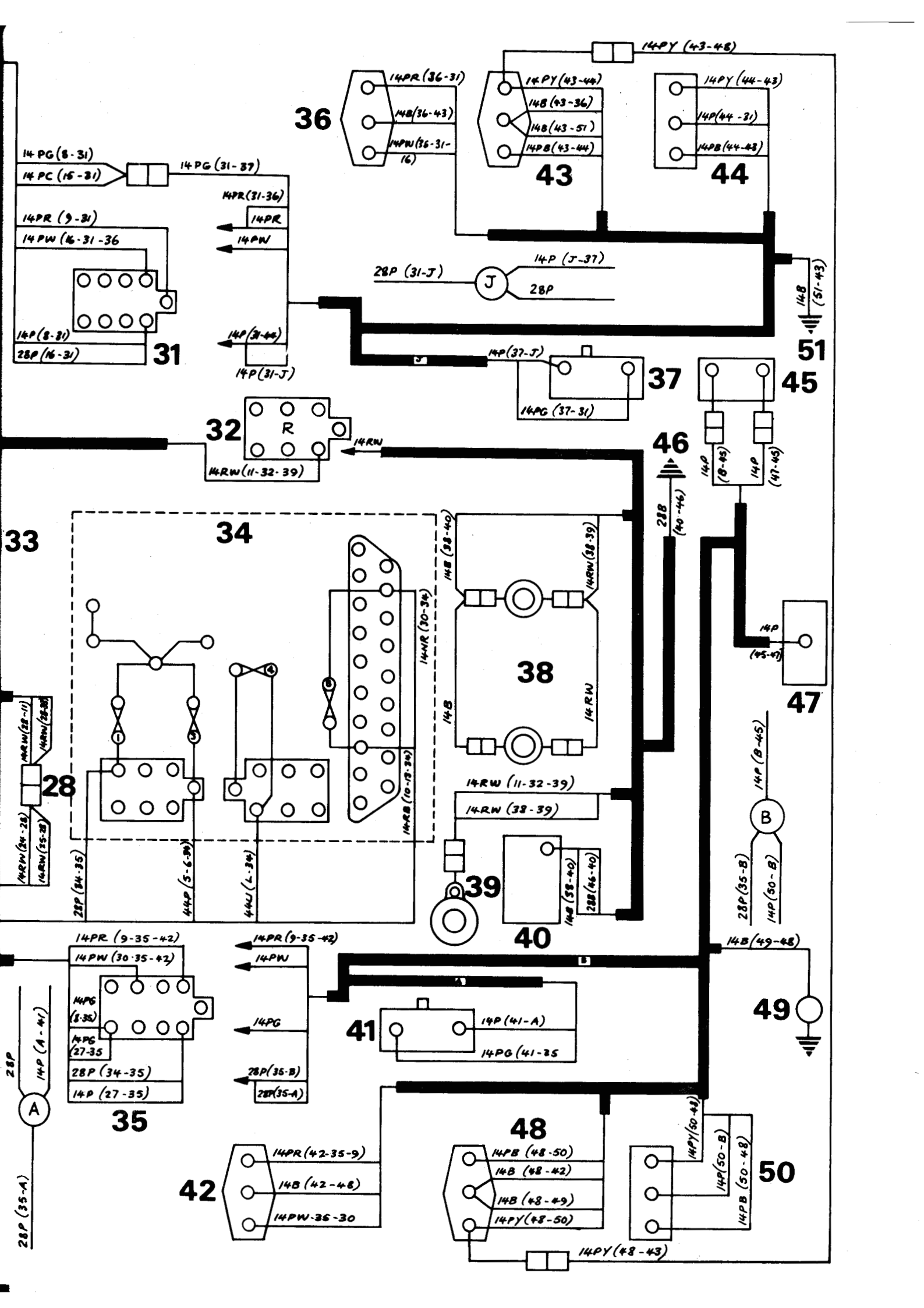
26

27

74PG (27-35)

14PU

14P (27-35)



36

43

44

31

32

37

45

47

33

34

38

46

39

40

41

35

42

48

49

50

51

14 PG (8-31)
14 PC (15-31)

14 PG (31-37)

14PR (31-36)
14PR
14PW

14PR (9-31)
14PW (16-31-36)

14P (8-31)
28P (16-31)

14P (31-44)
14P (31-J)

14RW (11-32-39)

14PR (36-31)
14B (36-43)
14PW (36-31-16)

14PY (43-44)
14B (43-36)
14B (43-51)
14PB (43-44)

14PY (44-43)
14P (44-31)
14PB (44-43)

28P (31-J) J 28P
14P (J-37)

14B (51-43)

14P (37-J)
14PG (37-31)

14P (8-45)
14P (47-45)

28B (40-46)

14RW (38-39)
14RW (11-32-39)
14RW (38-39)

14P (45-47)

14P (8-45)
28P (35-B)
14P (50-B)

14RW (24-28)
14RW (25-28)
14RW (28-31)
28P (24-35)
44P (5-6-39)

14RW (28-31)
14RW (30-34)
14RB (10-13-39)

14B (38-40)
14RW (38-39)

14B (38-40)
28B (46-40)

14PR (9-35-42)
14PW (30-35-42)
14PG (8-35)
14PG (27-35)
28P (34-35)
14P (27-35)

14PR (9-35-42)
14PW
14PG
28P (35-B)
28P (35-A)

14P (41-A)
14PG (41-35)

14B (49-48)

28P (35-A)
14P (A-41)
A

14PR (42-35-9)
14B (42-48)
14PW (35-30)

14PB (48-50)
14B (48-42)
14B (48-49)
14PY (48-50)

14PY (50-48)
14P (50-B)
14PB (50-48)

14PY (48-43)

PRACTICAL WIRING DIAGRAM

Sheet 10

WARNING LAMPS AND INSTRUMENTS

For
Rolls-Royce Silver Shadow
and
Bentley T Series

SALOON AND LONG WHEELBASE NON-DIVISION CARS FOR USA AND CANADA FROM CAR SERIAL NUMBERS 22118 AND 22073

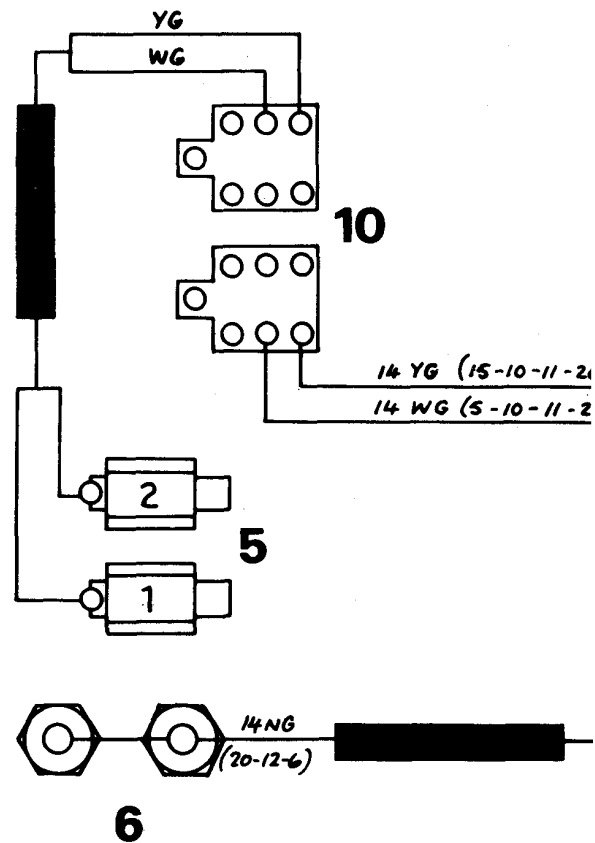
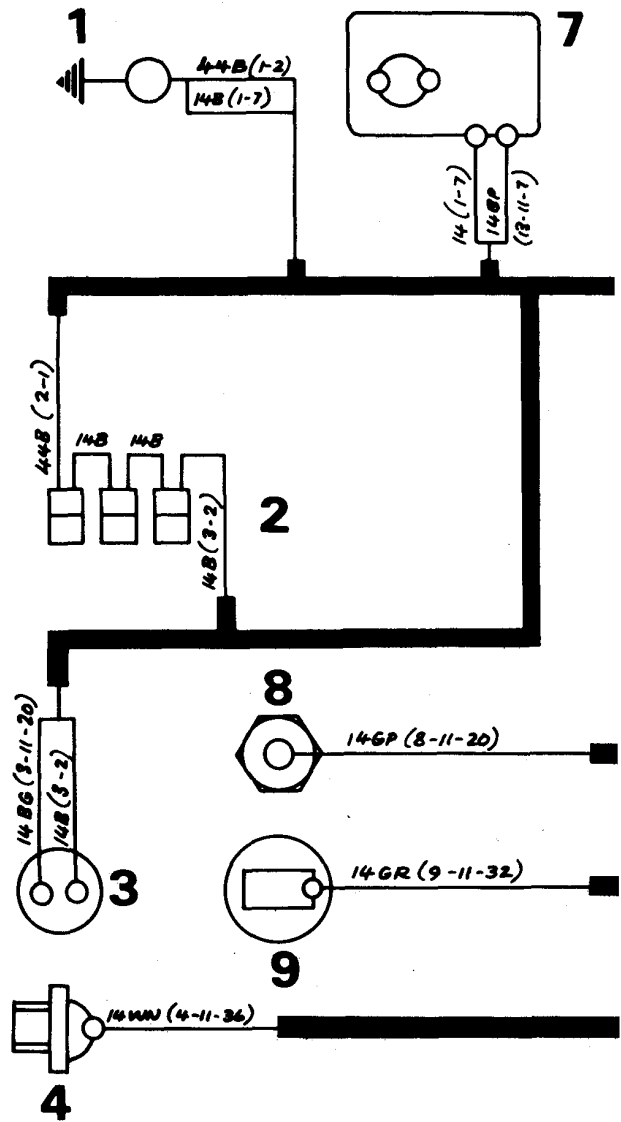
T.S.D. Publication 2476

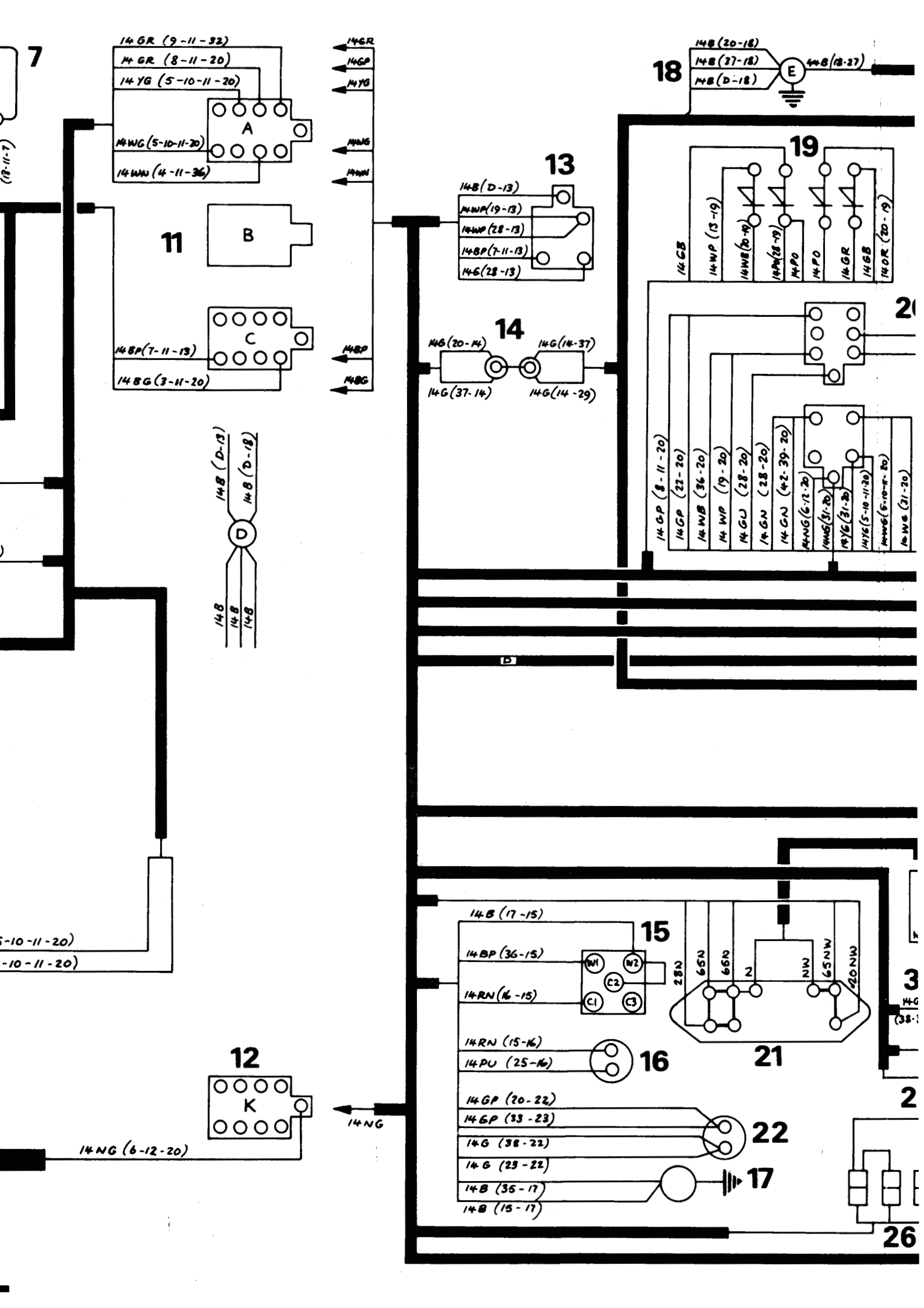
© Rolls-Royce Motors Limited 1976

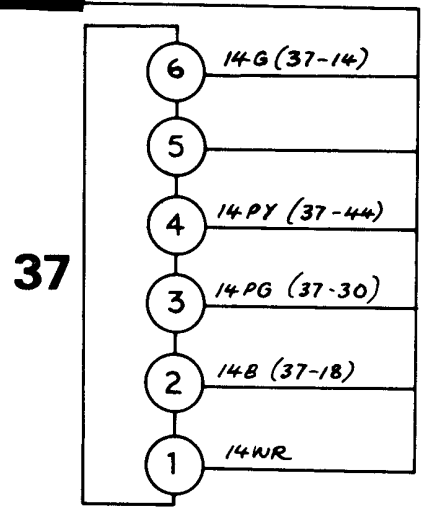
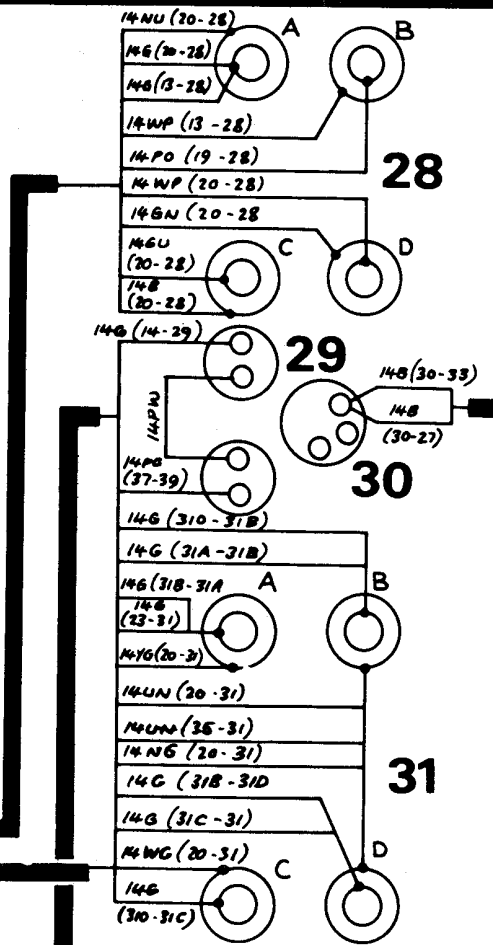
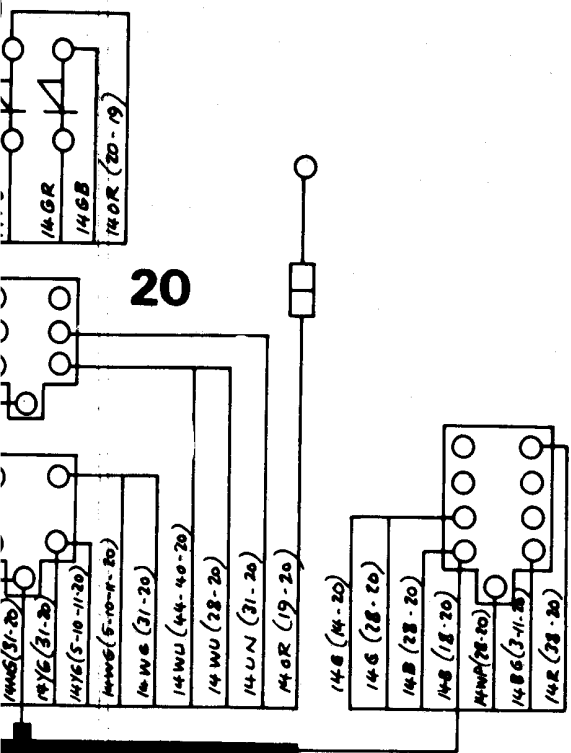
"This document is the property of Rolls-Royce Motors Limited and may not be copied or communicated to a third party or used for any purpose other than that for which it is supplied without the express written authority of Rolls-Royce Motors Limited."

"Whilst the information in this document given in good faith based upon the latest knowledge available to Rolls-Royce Motors Limited. Rolls-Royce Motors Limited gives no warranty or representation concerning such information, and such information must not be taken as establishing any contractual or other commitment on the part of Rolls-Royce Motors Limited."

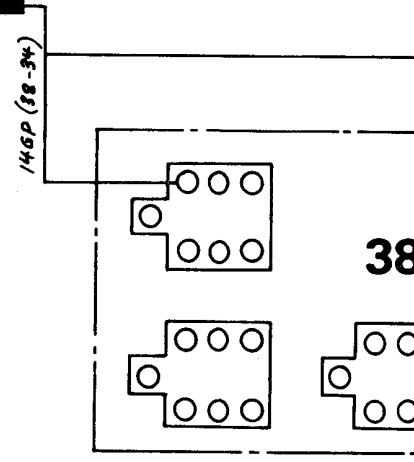
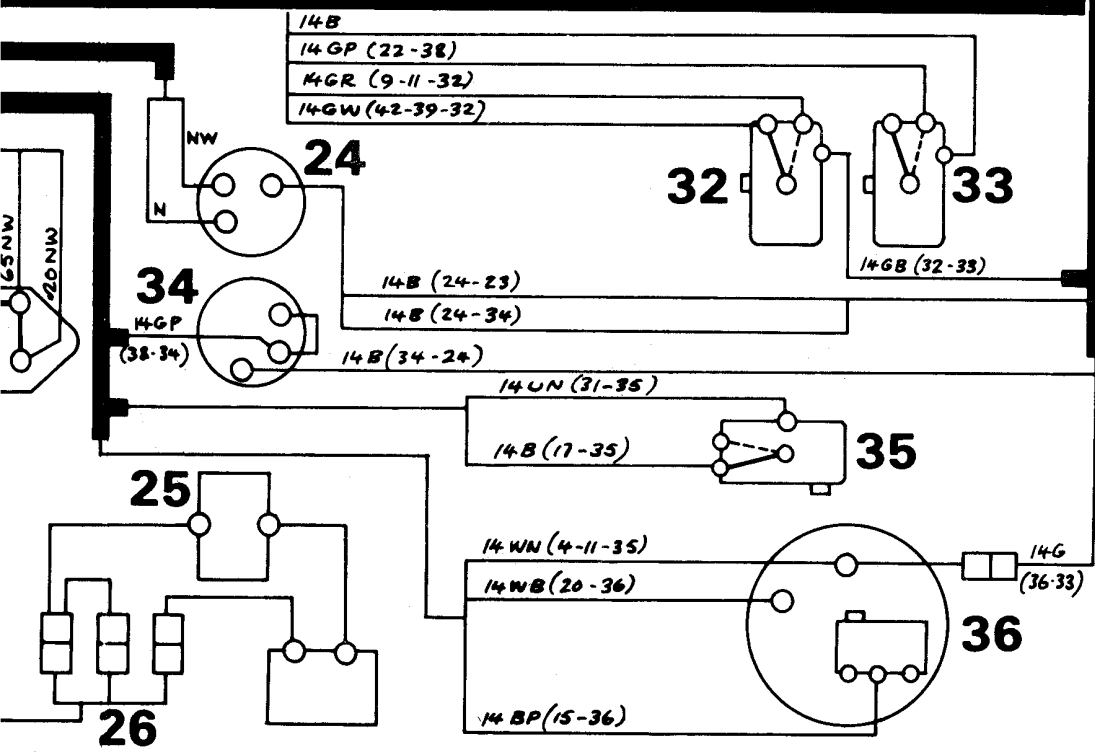
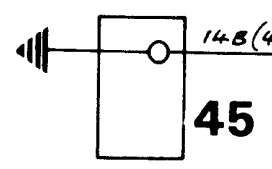
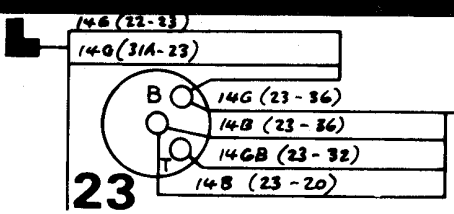
- 1 Right-hand front earth
- 2 Right-hand snap connector block
- 3 Coolant probe
- 4 Oil pressure switch
- 5 Brake accumulator pressure switches
- 6 Brake fluid level sensors
- 7 Washer bottle probe
- 8 High metal temperature switch
- 9 Oil sump unit
- 10 Left-hand valance sockets
- 11 Right-hand toeboard sockets
- 12 Left-hand toeboard sockets
- 13 Washer fluid level amplifier
- 14 Seat belt warning loom connector
- 15 Key warning relay
- 16 Key warning buzzer
- 17 Left-hand 'A' post earth
- 18 Right-hand 'A' post earth
- 19 Diode connector
- 20 Warning lamp test board
- 21 Ammeter shunt
- 22 High metal temperature buzzer
- 23 Fuel/Oil gauge
- 24 Ammeter
- 25 Seat belt warning diode assembly
- 26 Left-hand front door switch
- 27 Instrument panel earth
- 28 Right-hand warning lamp cluster
- 29 Seat belt warning lamps
- 30 Clock
- 31 Left-hand warning lamp cluster
- 32 Fuel/Oil level test switch
- 33 High metal temperature test switch
- 34 Speedometer
- 35 Parking brake switch
- 36 Switchbox
- 37 Seat belt warning control unit
- 38 Fuseboard
- 39 Right-hand 'A' post body socket
- 40 Left-hand 'A' post body socket
- 41 Right-hand boot earth
- 42 Fuel tank unit
- 43 Seat belt clasp
- 44 Stoplamp relay socket
- 45 Radio

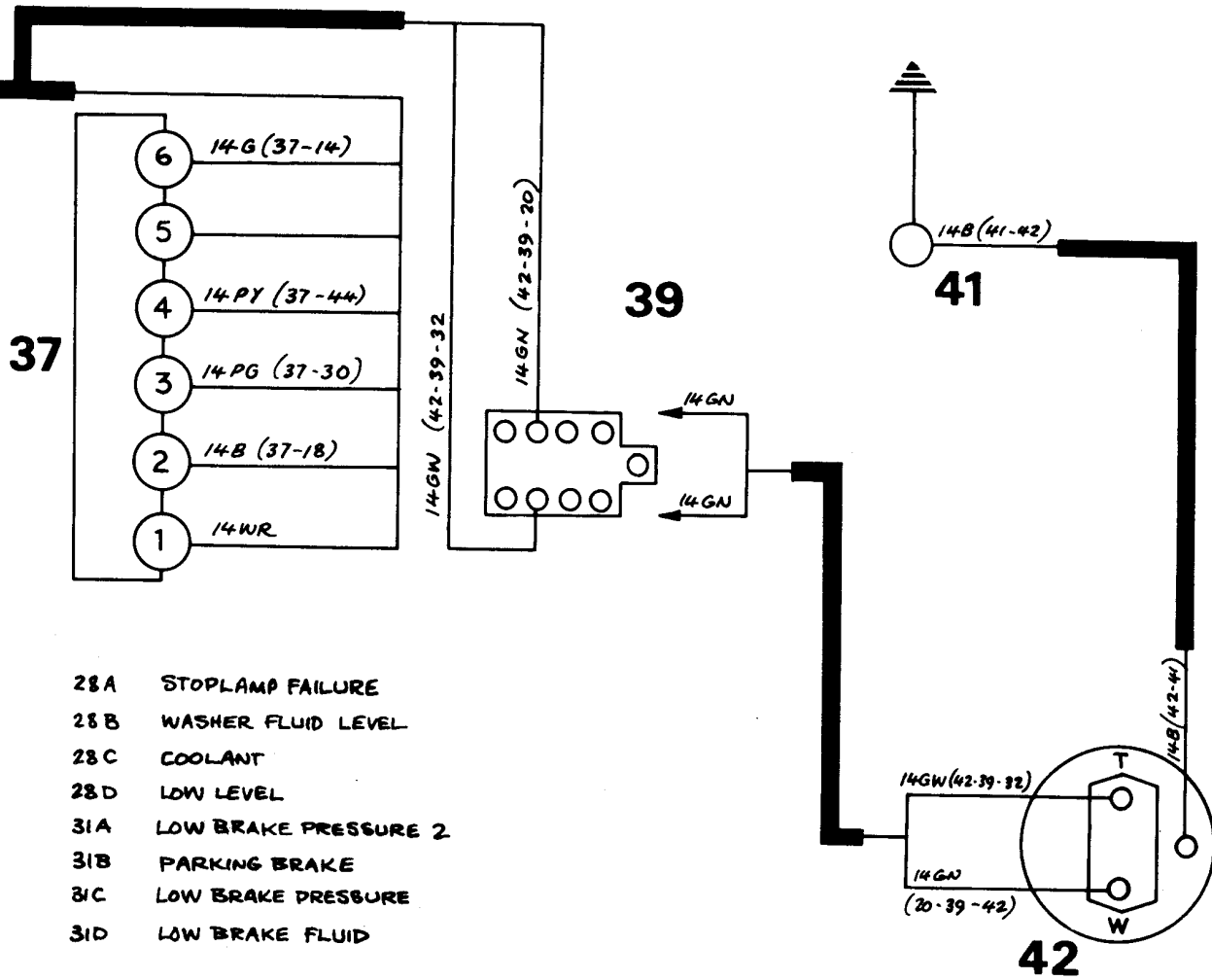




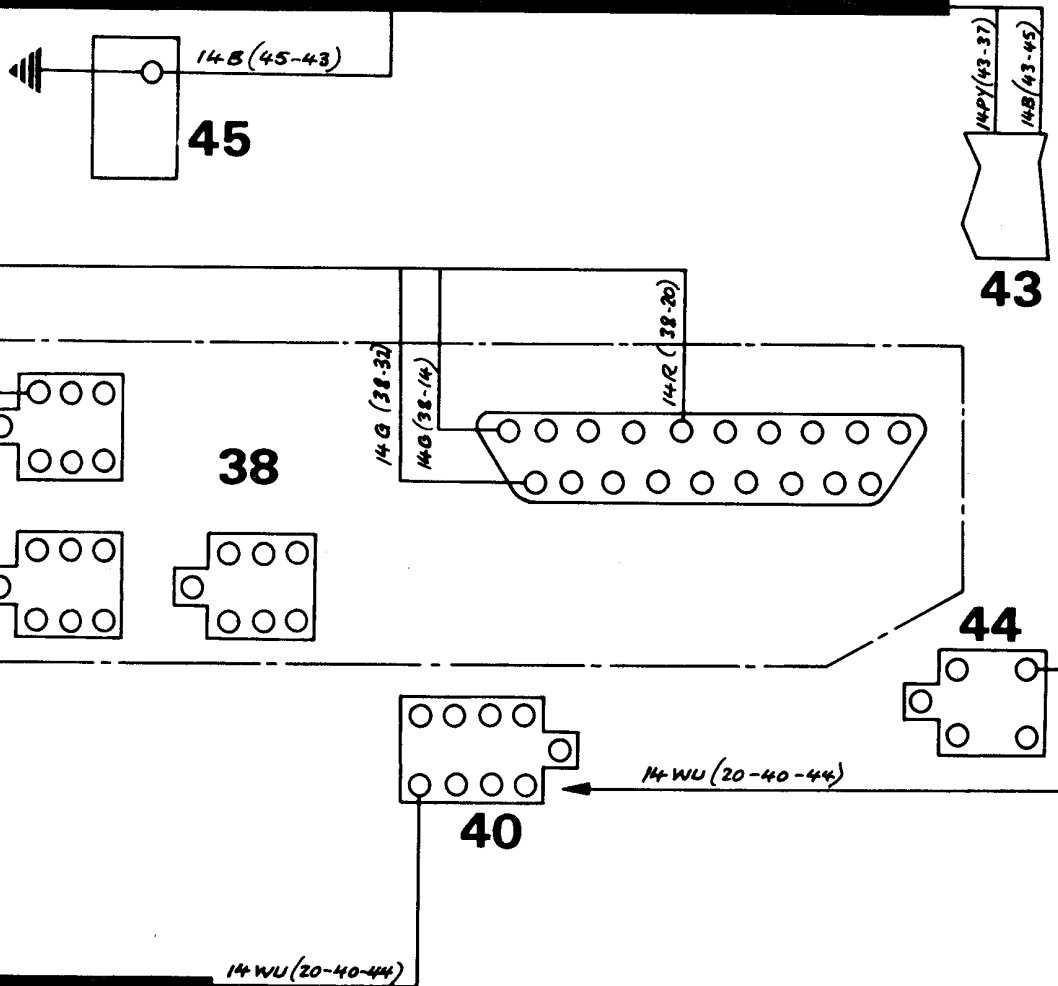


- 28A STOPLAMP FAILURE
- 28B WASHER FLUID LEVEL
- 28C COOLANT
- 28D LOW LEVEL
- 31A LOW BRAKE PRESSURE
- 31B PARKING BRAKE
- 31C LOW BRAKE PRESSURE
- 31D LOW BRAKE FLUID





- 28A STOPLAMP FAILURE
- 28B WASHER FLUID LEVEL
- 28C COOLANT
- 28D LOW LEVEL
- 31A LOW BRAKE PRESSURE 2
- 31B PARKING BRAKE
- 31C LOW BRAKE PRESSURE
- 31D LOW BRAKE FLUID



Section 17

Rolls-Royce and Bentley Corniche with Automatic Air Conditioning Unit (Sheets 1 and 2)

Printed in England

November 1975

T.S.D. 2476

THEORETICAL WIRING DIAGRAM

Sheet 1

For
Rolls-Royce Corniche Convertible
and
Bentley Corniche Convertible

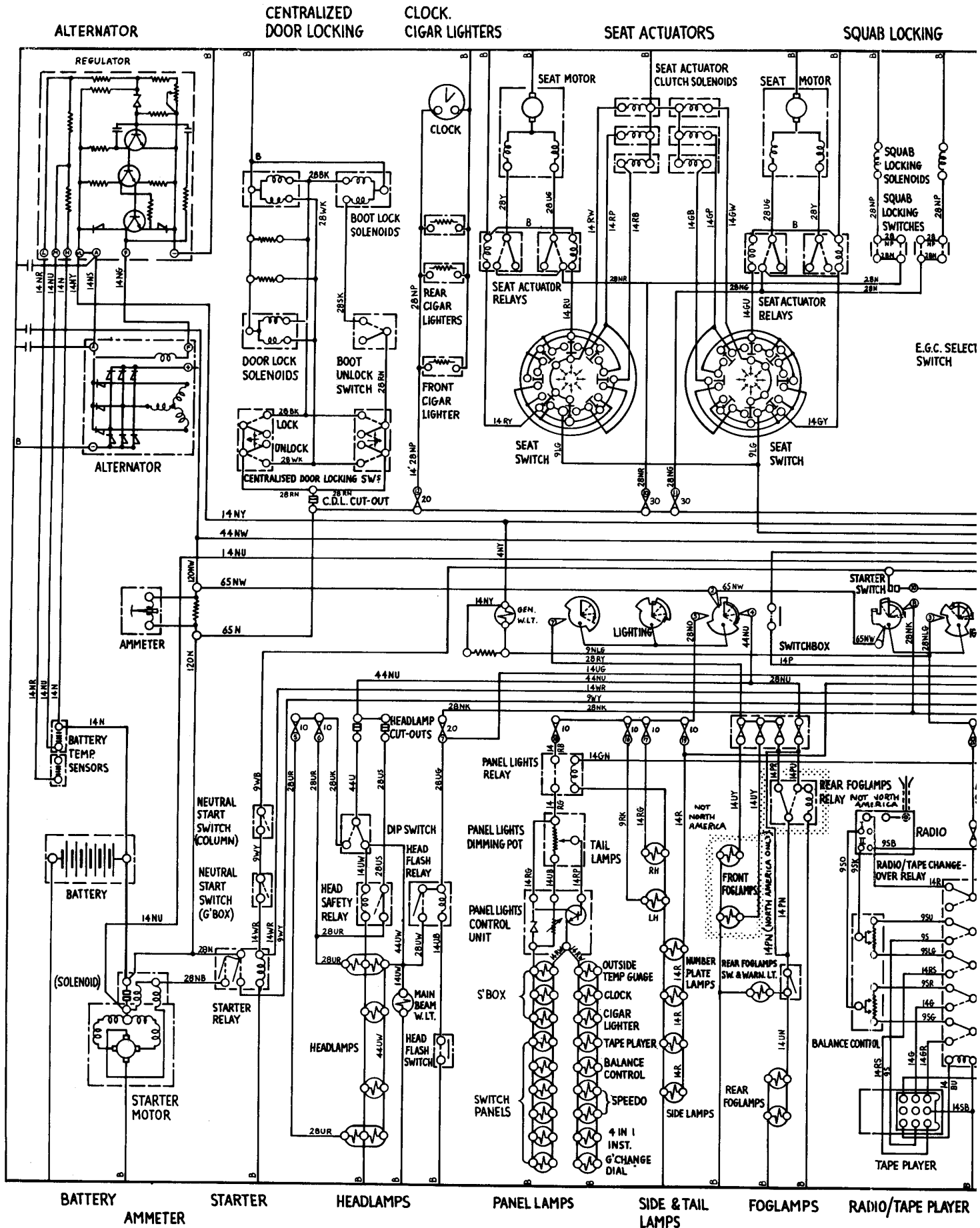
**ALL CARS FROM
SERIAL NUMBER 22583**

T.S.D. Publication 4151

© Rolls-Royce Motors Limited 1975

"This document is the property of Rolls-Royce Motors Limited and may not be copied or communicated to a third party or used for any purpose other than that for which it is supplied without the express written authority of Rolls-Royce Motors Limited."

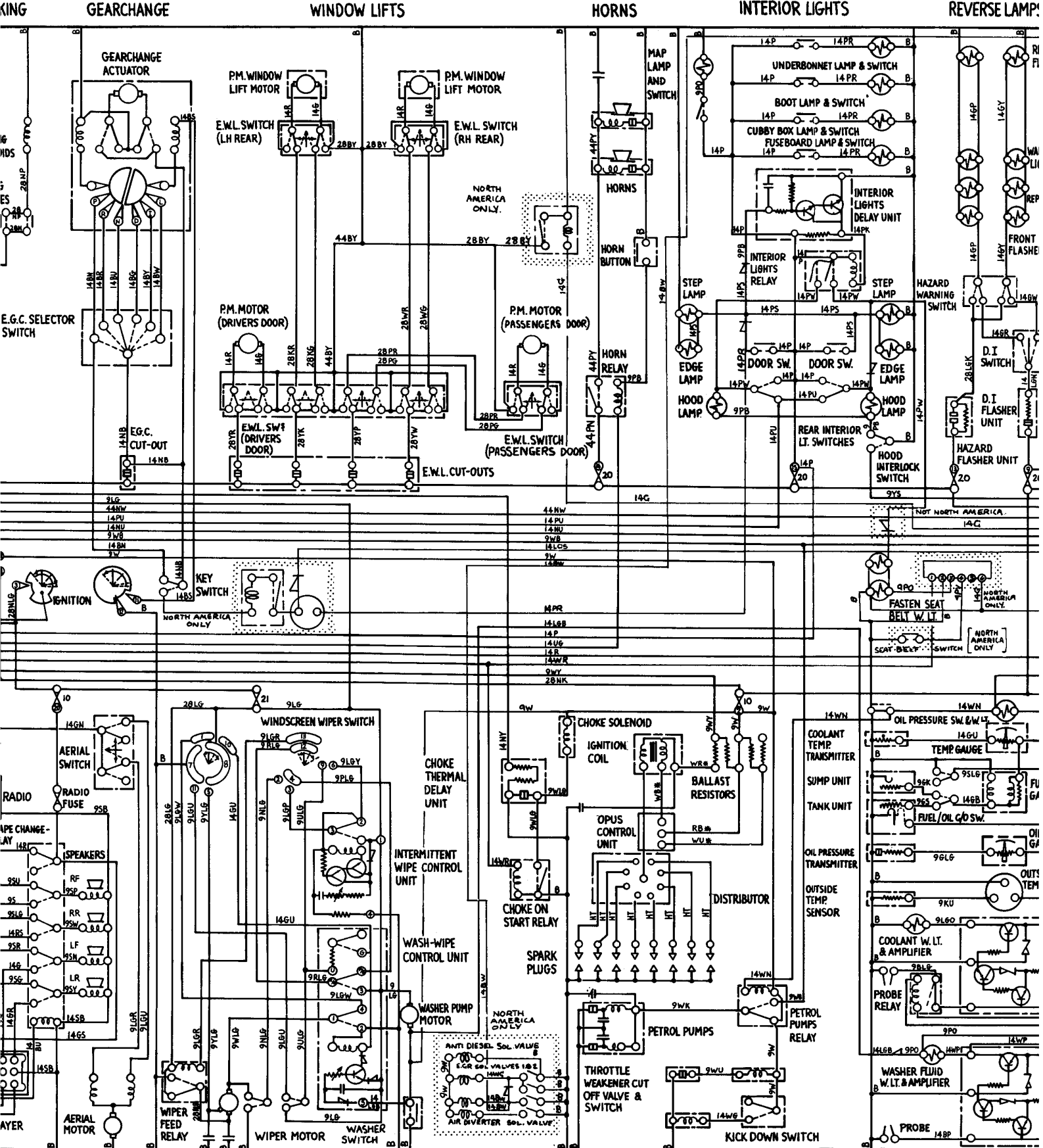
"Whilst the information in this document given in good faith based upon the latest knowledge available to Rolls-Royce Motors Limited. Rolls-Royce Motors Limited give no warranty or representation concerning such information, and such information must not be taken as establishing any contractual or other commitment on the part of Rolls-Royce Motors Limited."



E.G.C. SELECT SWITCH

BATTERY **AMMETER** **STARTER** **HEADLAMPS** **PANEL LAMPS** **SIDE & TAIL LAMPS** **FOGLAMPS** **RADIO/TAPE PLAYER**

DIRECTION IN HAZARD WARN REVERSE LAMP:



ITEMS MARKED
THUS ONLY FITTED
AS STATED

IGNITION
PETROL PUMPS
KICK DOWN
THROTTLE WEAKENER
CUT OFF VALVE

GEAR CHANGE AERIAL WINDSCREEN WIPERS & WASHER IGNITION PETROL PUMPS KICK DOWN THROTTLE WEAKENER CUT OFF VALVE

DIRECTION INDICATORS

HAZARD WARNING

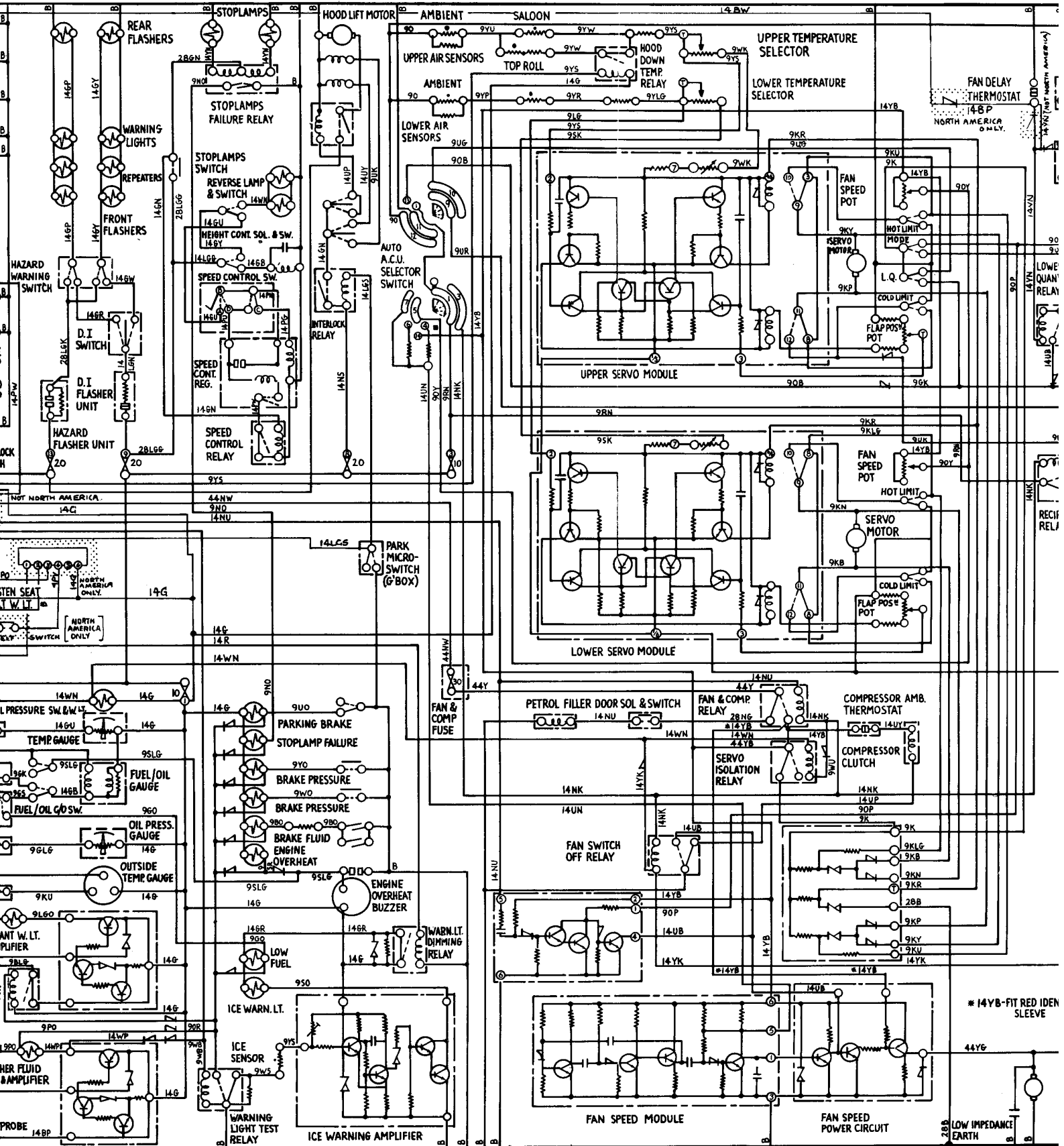
REVERSE LAMPS

STOPLAMPS

SPEED CONTROL

HOOD LIFT UNIT

AUTOMATIC AIR CONDITIONING UNIT

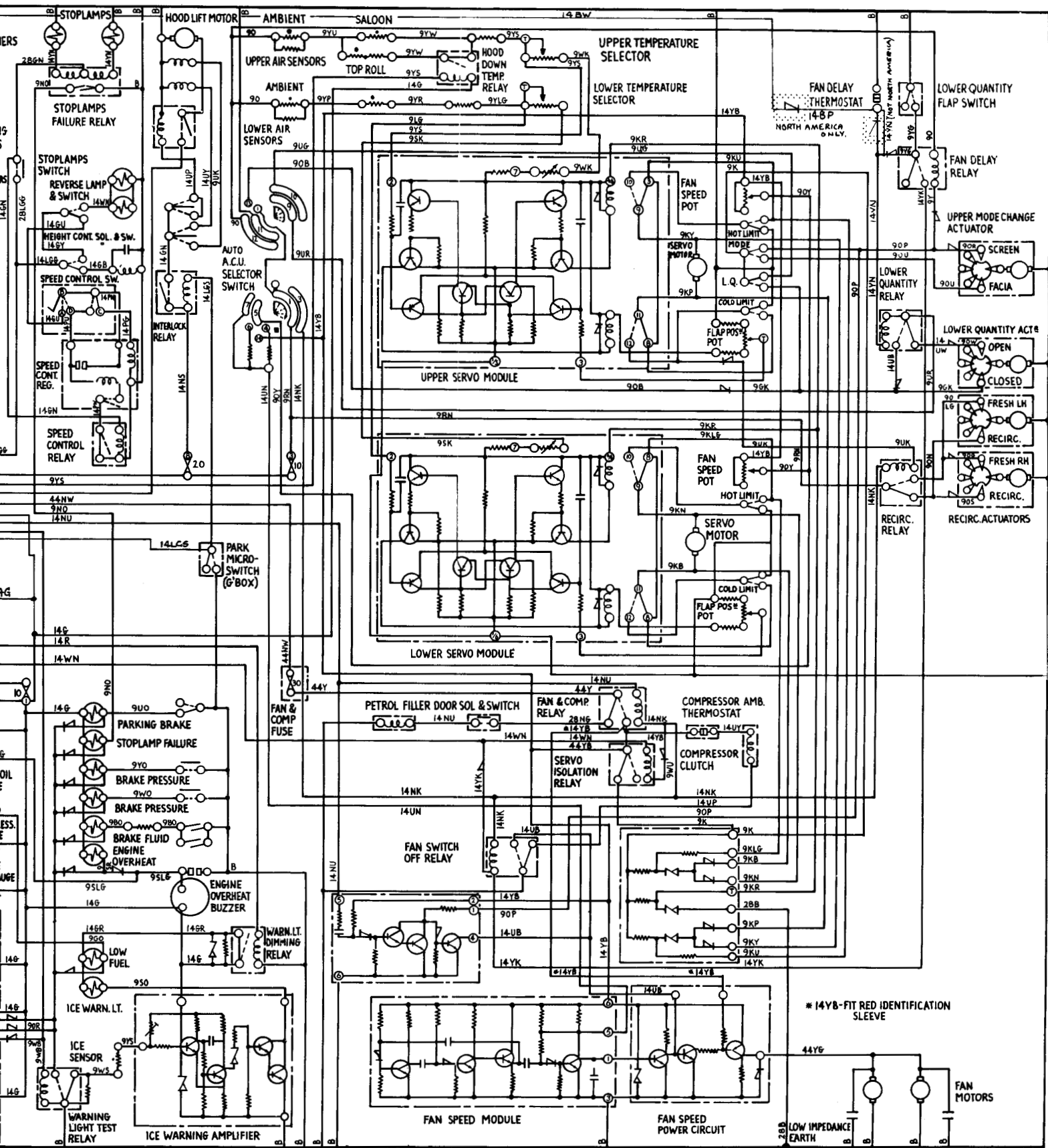


GAUGES & WARNING LIGHTS

PETROL FILLER DOOR

○ SERVO TEST POINTS MARKED THUS

STOP LAMPS
 SPEED CONTROL HOOD LIFT UNIT
 AUTOMATIC AIR CONDITIONING UNIT



STOP LAMPS & WARNING LIGHTS

PETROL FILLER DOOR

SERVO TEST POINTS MARKED THUS

THEORETICAL WIRING DIAGRAM

Sheet 2

For
Rolls-Royce Corniche Saloon
and
Bentley Corniche Saloon

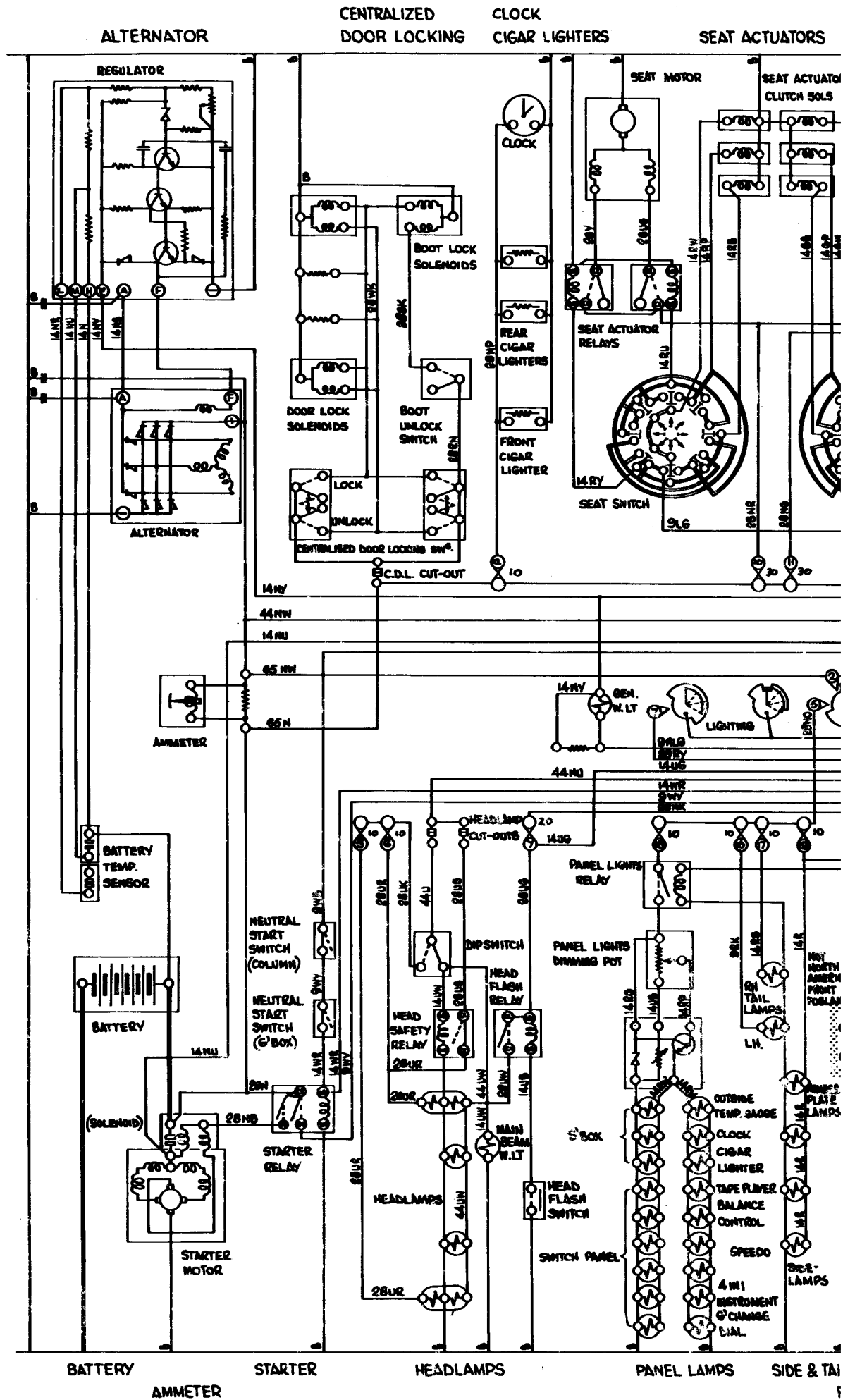
**ALL CARS FROM
SERIAL NUMBER 22583**

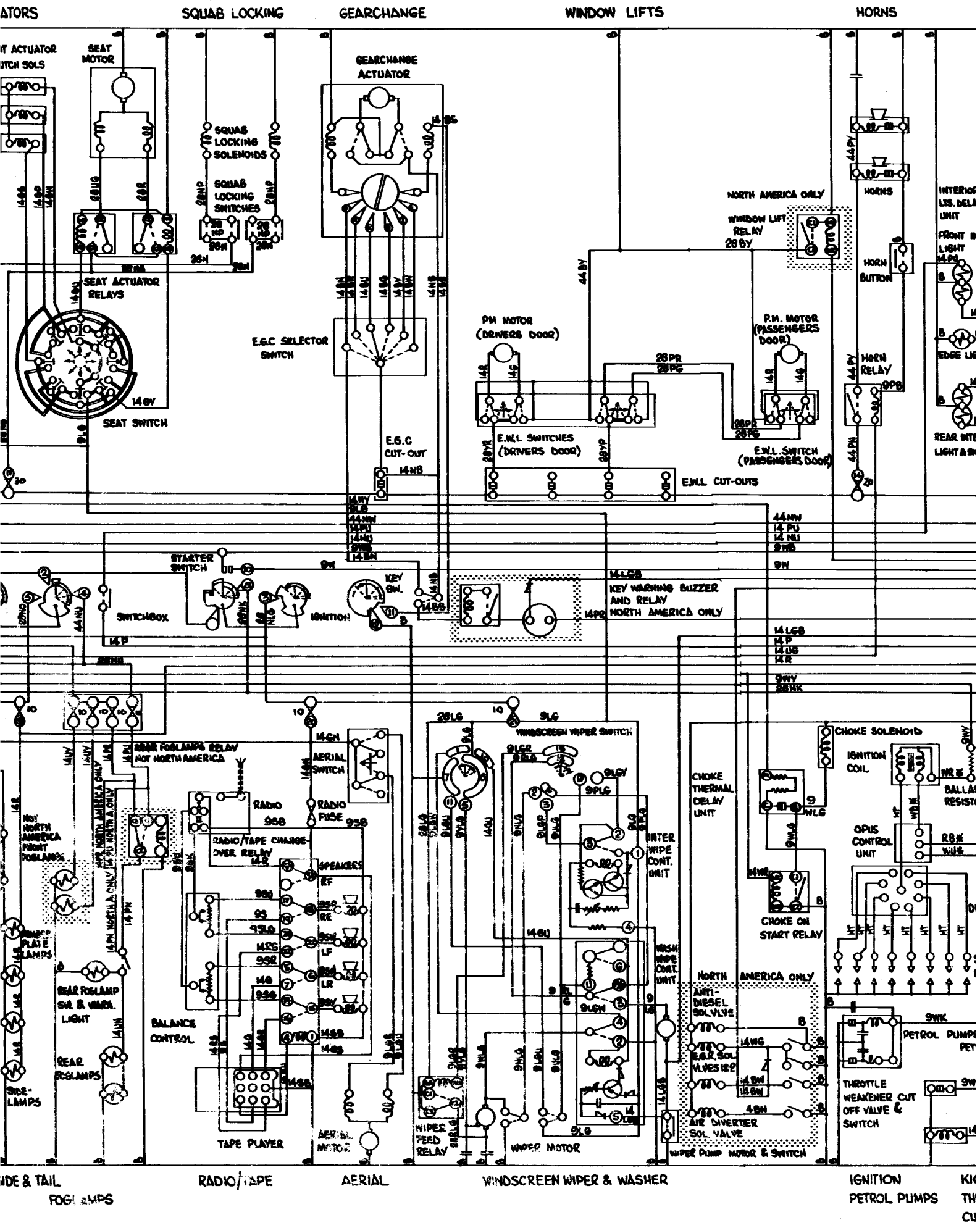
T.S.D. Publication 4160

© Rolls-Royce Motors Limited 1976

"This document is the property of Rolls-Royce Motors Limited and may not be copied or communicated to a third party or used for any purpose other than that for which it is supplied without the express written authority of Rolls-Royce Motors Limited."

"Whilst the information in this document given in good faith based upon the latest knowledge available to Rolls-Royce Motors Limited. Rolls-Royce Motors Limited gives no warranty or representation concerning such information, and such information must not be taken as establishing any contractual or other commitment on the part of Rolls-Royce Motors Limited."





DIRECTION INDICATORS

HAZARD WARNING

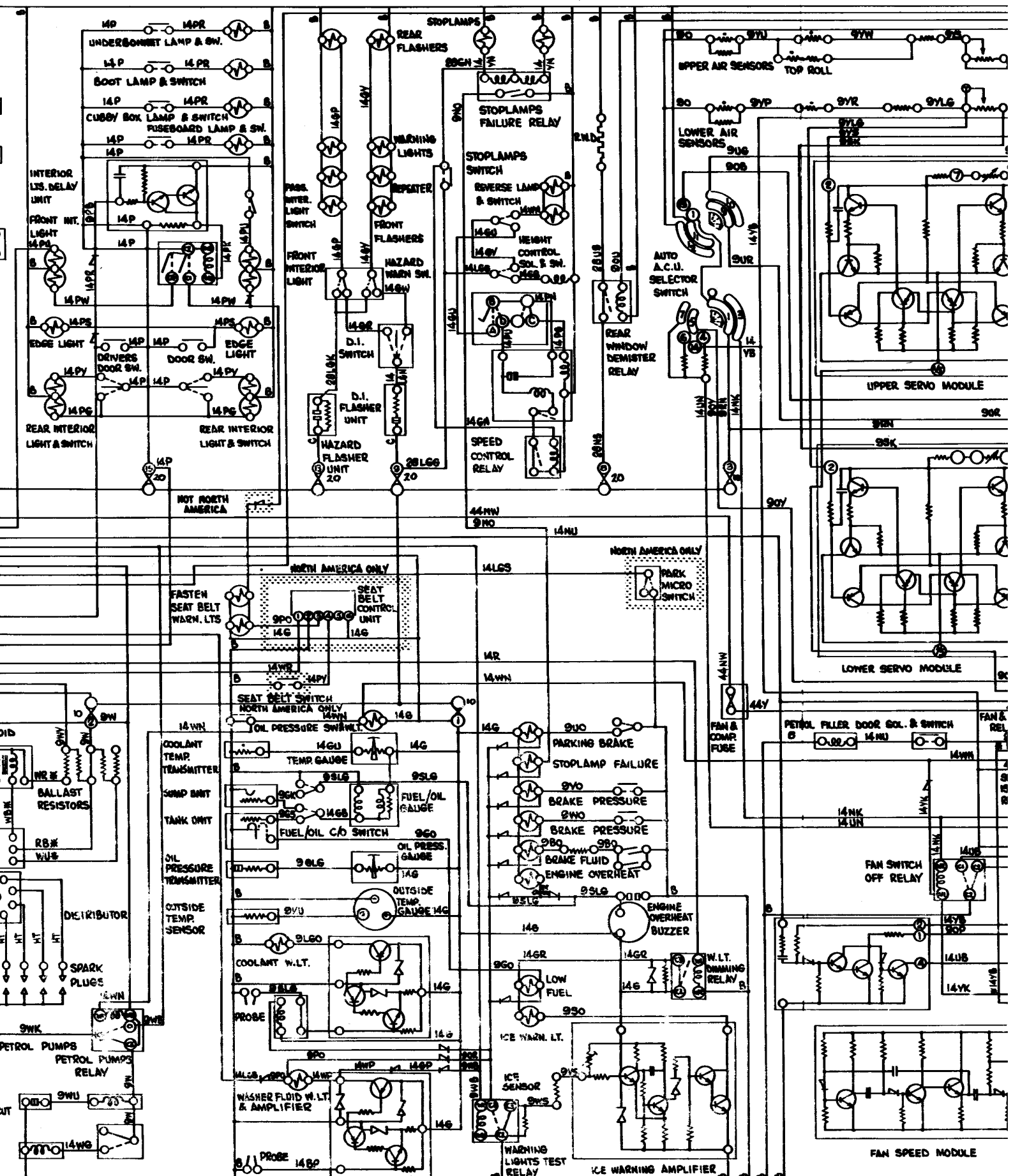
STOPLAMPS

SPEED CONTROL

AUTOMATIC AIR CONDITIONING

INTERIOR LIGHTS

REVERSE LAMPS



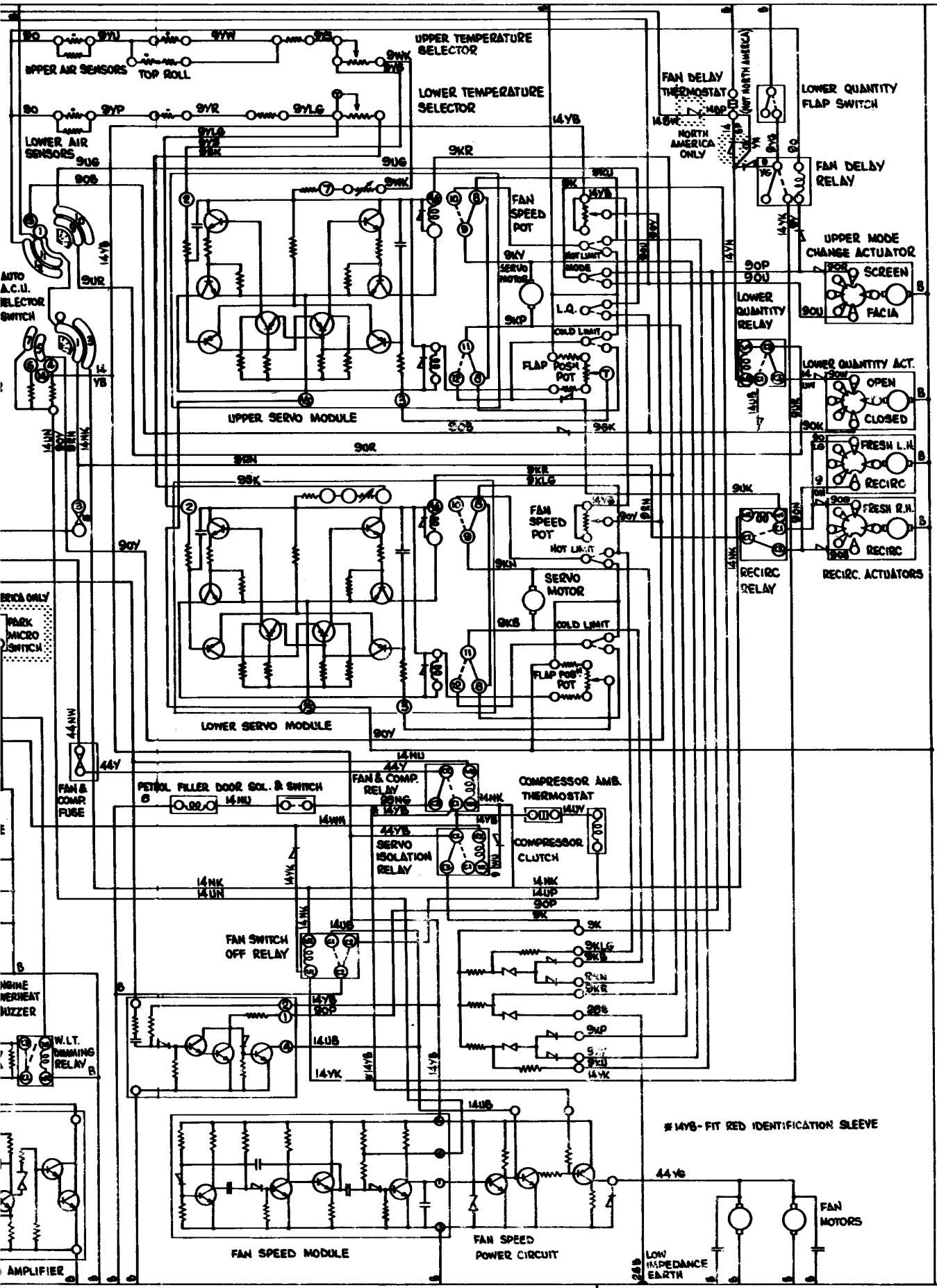
KICK DOWN
THROTTLE WEAKENER
CUT OFF VALVE

GAUGES & WARNING LIGHTS

ITEMS MARKED THIS
ONLY FITTED
AS STATED

PETROL FILLER I

AUTOMATIC AIR CONDITIONING



ITEMS MARKED THUS ONLY FITTED AS STATED

PETROL FILLER DOOR

◎ SERVO TEST POINTS MARKED THUS

#14YG-FIT RED IDENTIFICATION SLEEVE

44V6
24Ω LOW IMPEDANCE EARTH

FAN MOTORS